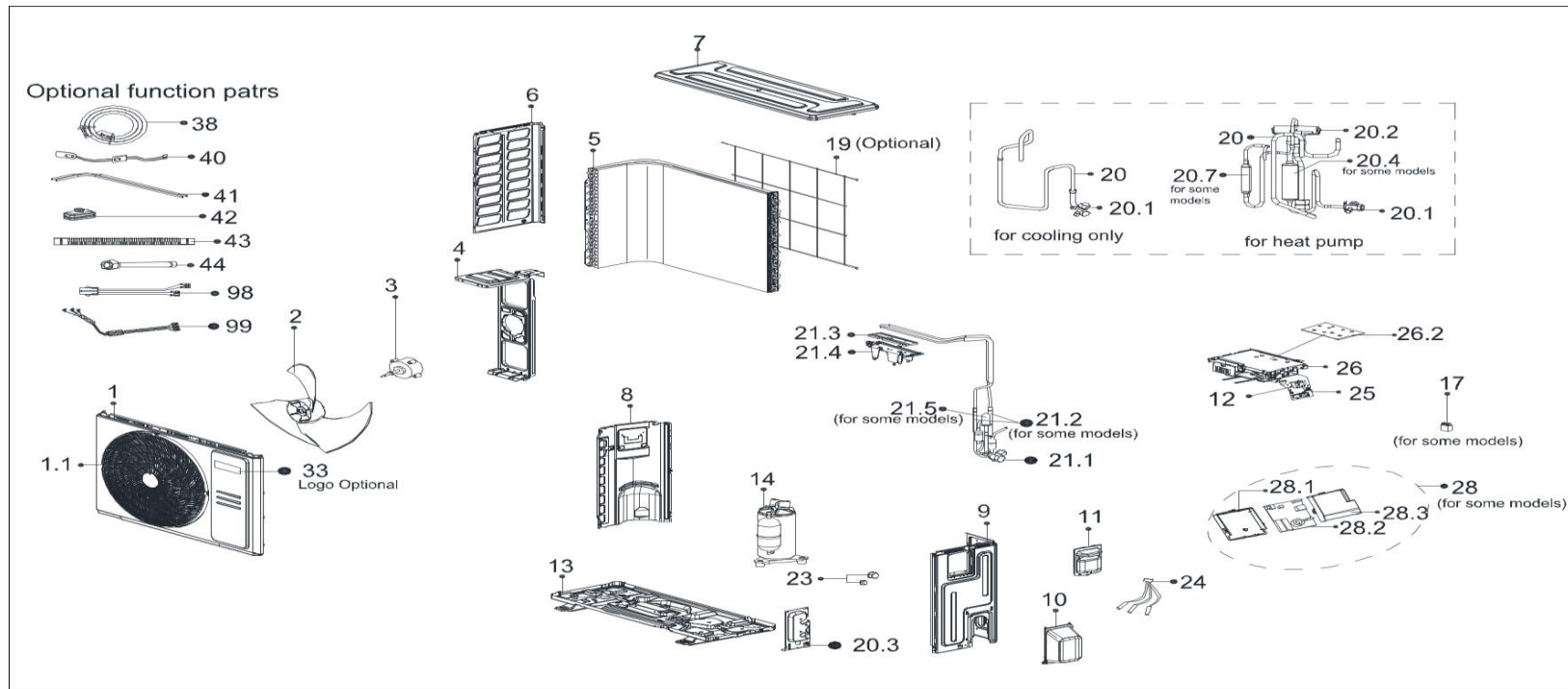


Code:  
 Model:  
 Brand:  
 Order:

22022016016820  
 KWX-24KRHO  
 KAISAI  
 62220-N1768602



EX_ID	Part Code	Part Name(EN)	Part Name(local)	Qty	Substitute
1	12222000013505	Front panel	Front panel	1.00	
1.1	12122000026421	Air-Out Mesh Enclosure	Air-Out Mesh Enclosure	1.00	

2	12100105000841	Axial Flow Fan	Axial Flow Fan	1.00	12100105A00126
3	11002015000366	Brushless DC Motor	Brushless DC Motor	1.00	11002015A01198
4	12222000012371	Motor Bracket	Motor Bracket	1.00	
5	15822000009836	Condenser Assembly	Condenser Assembly	1.00	
6	12222000018448	Left side plate assembly of cabinet	Left side plate assembly of cabinet	1.00	
7	12222200005737	Top Cover Assembly	Top Cover Assembly	1.00	
8	12222000013245	Partition Board Assembly	Partition Board Assembly	1.00	
9	12222000012930	Right Clapboard Assembly	Right Clapboard Assembly	1.00	
10	12122000007150	Water Collector	Water Collector	1.00	
11	12122000031166	Big Handle Assembly	Big Handle Assembly	1.00	
12	17400401000016	Terminal	Terminal	1.00	
13	12222000013507	Chassis Assembly	Chassis Assembly	1.00	
14	11103020006879	DC Inverter Rotary Compressor	DC Inverter Rotary Compressor	1.00	11103020A00736
20	15422000018832	Four-Way Valve Subassembly	Four-Way Valve Subassembly	1.00	
20.1	15500204000502	Gas Valve	Gas Valve	1.00	
20.2	15500216000026	Four-Way Valve	Four-Way Valve	1.00	15500216000003
20.3	12222200005738	Valve Plate	Valve Plate	1.00	
20.4	15122000027161	Muffler subassembly	Muffler subassembly	1.00	
20.7	15122000027116	Muffler subassembly	Muffler subassembly	1.00	
21	15422000024105	Liquid valve Assembly	Liquid valve Assembly	1.00	
21.1	15500208000286	Liquid Valve	Liquid Valve	1.00	
21.2	15500210004472	Throttle valve	Throttle valve	1.00	
21.2	15500210004469	Throttle valve	Throttle valve	1.00	
21.3	11203803001176	Radiator	Radiator	1.00	
21.4	12122000011478	U-Typed Support with Copper Pipe	U-Typed Support with Copper Pipe	1.00	

23	15500406000003	Flare Nut	Copper nut	1.00	
23	15500406000010	Flare Nut	Copper nut	1.00	15500406000015
24	11201011000188	Combination Sensor	Combination Sensor	1.00	
25	17222000031763	Terminal Board Subassembly	Terminal Board Subassembly	1.00	
26	17222000A61570	Electronic control box subassembly	Electronic control box subassembly	1.00	
26.1	12122000008999	Electronic Installing Box	Electronic Installing Box	1.00	
26.2	17122000A42776	Outdoor main control board subassembly	Outdoor main control board subassembly	1.00	
33	16022000C46344	Outdoor unit trademark	Outdoor unit trademark	1.00	
40	17402001000603	Crankcase Electric Heating Strip	Crankcase Electric Heating Strip	1.00	
41	17402002000544	Heater	Heater	1.00	
99	17401203012697	Compressor Wires Subassembly	Compressor Wires Subassembly	1.00	

