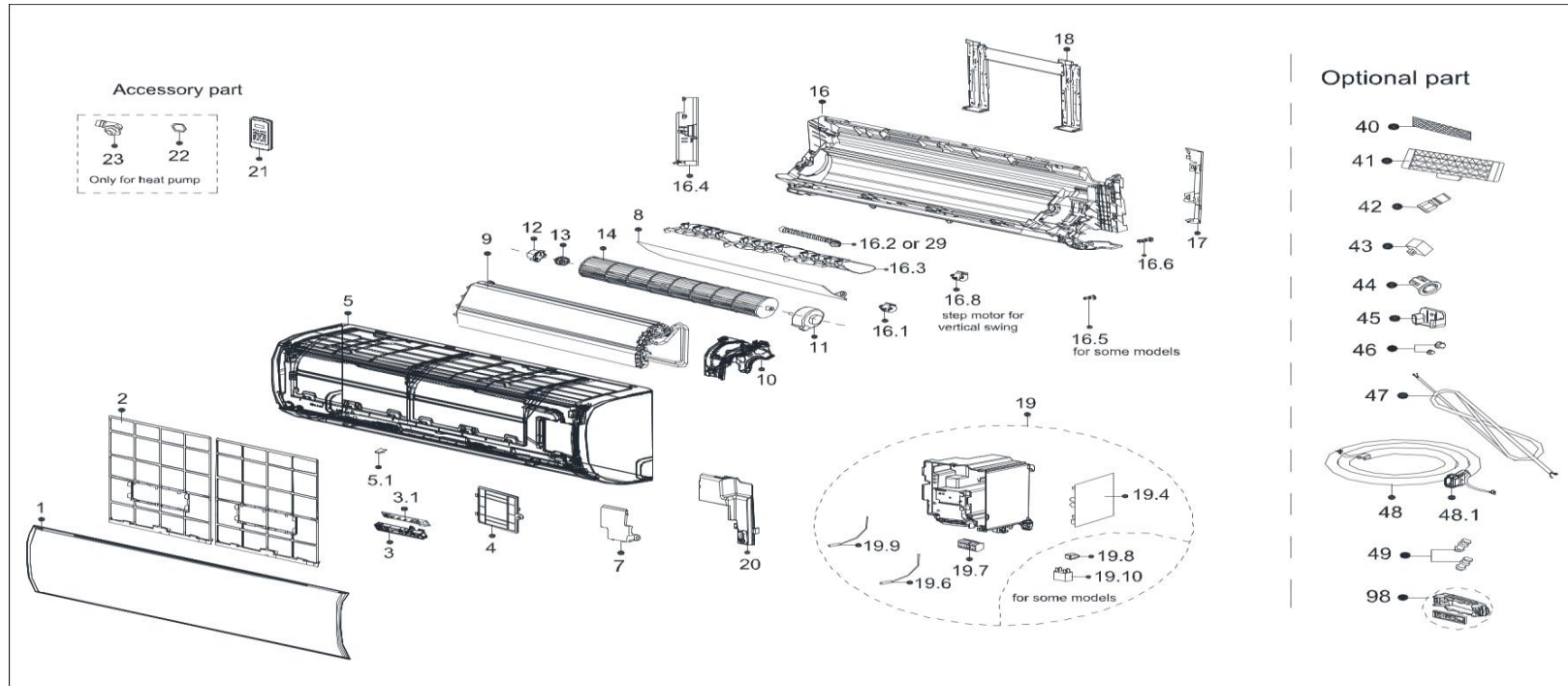


Code:
 Model:
 Brand:
 Order:

22022011012359
 KWX-24KRHI
 KAISAI
 62220-N1768601



| EX_ID | Part Code | Part Name(EN) | Part Name(local) | Qty | Substitute |
|-------|----------------|----------------|------------------|------|------------|
| 1 | 12122000A84108 | Panel assembly | Panel assembly | 1.00 | |
| 2 | 12122000015222 | Filter | Filter | 2.00 | |

| | | | | | |
|------|----------------|--|--|-------|----------------|
| 3 | 17222000A64573 | Display box subassembly | Display box subassembly | 1.00 | |
| 3.1 | 17122000053593 | Display Board Subassembly | Display Board Subassembly | 1.00 | |
| 4 | 12122000013357 | Cover Plate | Cover Plate | 1.00 | |
| 5 | 12122000013353 | Panel Frame Assembly | Panel Frame Assembly | 1.00 | |
| 5.1 | 12122000013355 | Screw Cap | Screw Cap | 2.00 | |
| 7 | 12122000013350 | Cover of Electrical Equipment Subassembly | Cover of Electrical Equipment Subassembly | 1.00 | |
| 8 | 12122000013348 | Louver | Louver | 1.00 | |
| 9 | 15822000008192 | Evaporator Assembly | Evaporator Assembly | 1.00 | |
| 10 | 12122000013349 | Motor Cover | Motor Cover | 1.00 | |
| 11 | 11002015008646 | Brushless DC Motor | Brushless DC Motor | 1.00 | 11002015A01177 |
| 12 | 12122000000350 | Bearing Sleeve | Bearing Holder | 1.00 | |
| 13 | 12622000000131 | Bearing Block Assembly | Bearing Block Assembly | 1.00 | 12622000A00001 |
| 14 | 12100102000002 | Cross Flow Fan | Cross Flow Fan | 1.00 | 12100102A00147 |
| 16 | 12122000020047 | Chassis assembly | Chassis assembly | 1.00 | |
| 16.1 | 11002010000049 | Stepper Motor | Stepper Motor | 1.00 | |
| 16.2 | 12100501000032 | Drain Hose | Drain Hose | 1.00 | |
| 16.3 | 12122000015023 | Horizontal louver | Horizontal louver | 12.00 | |
| 16.4 | 12122000013342 | Front Cover of Chassis(Left) | Front Cover of Chassis(Left) | 1.00 | |
| 16.5 | 12122000000344 | Insulated Axis | Insulated Axis | 1.00 | |
| 16.6 | 12622000000030 | Drainage plug | Drainage plug | 1.00 | |
| 16.8 | 11002010000161 | Stepper Motor | Stepper Motor | 1.00 | |
| 17 | 12122000013346 | pipe clamp board | pipe clamp board | 1.00 | |
| 18 | 12222000005965 | Installation Plate | Installation Plate | 1.00 | |
| 19 | 17222000034345 | Electronic Control Box Subassembly (Mid-and Low-End) | Electronic Control Box Subassembly (Mid-and Low-End) | 1.00 | |
| 19.4 | 17122000052104 | Main Control Board Subassembly | Main Control Board Subassembly | 1.00 | |

| | | | | | |
|------|-----------------|--|--|------|-----------------|
| 19.6 | 11201007003447 | Pipe Temperature Sensor | Pipe Temperature Sensor | 1.00 | |
| 19.7 | 17400401000006 | Terminal | Terminal | 1.00 | |
| 19.9 | 11201007003424 | Room Temperature Sensor | Room Temperature Sensor | 1.00 | |
| 20 | 12122000013356 | Electrical Control Box Cover Subassembly | Electrical Control Box Cover Subassembly | 1.00 | |
| 21 | 17317000A67891 | Remote controller | Remote controller | 1.00 | |
| 22 | 12600701000039 | Sealing Ring | seal ring | 1.00 | |
| 23 | 12100509000061 | Water Outlet Pipe | Drain Hose | 1.00 | |
| 40 | 121002040000685 | Cold Catalyst Air Filter | Air Freshening Filter | 1.00 | 121002040000685 |
| 40 | 12100207000136 | High Efficiency Particulate Air Filter | High Efficiency Particulate Air Filter | 1.00 | 12100207000136 |
| 45 | 12122000029201 | Bracket of Remote Controller | Bracket of Remote Controller | 1.00 | |
| 46 | 15500406000003 | Flare Nut | Copper nut | 1.00 | |
| 46 | 15500406000010 | Flare Nut | Copper nut | 1.00 | 15500406000015 |
| 98 | 17310900A06289 | WIFI module subassembly | WIFI module subassembly | 1.00 | |