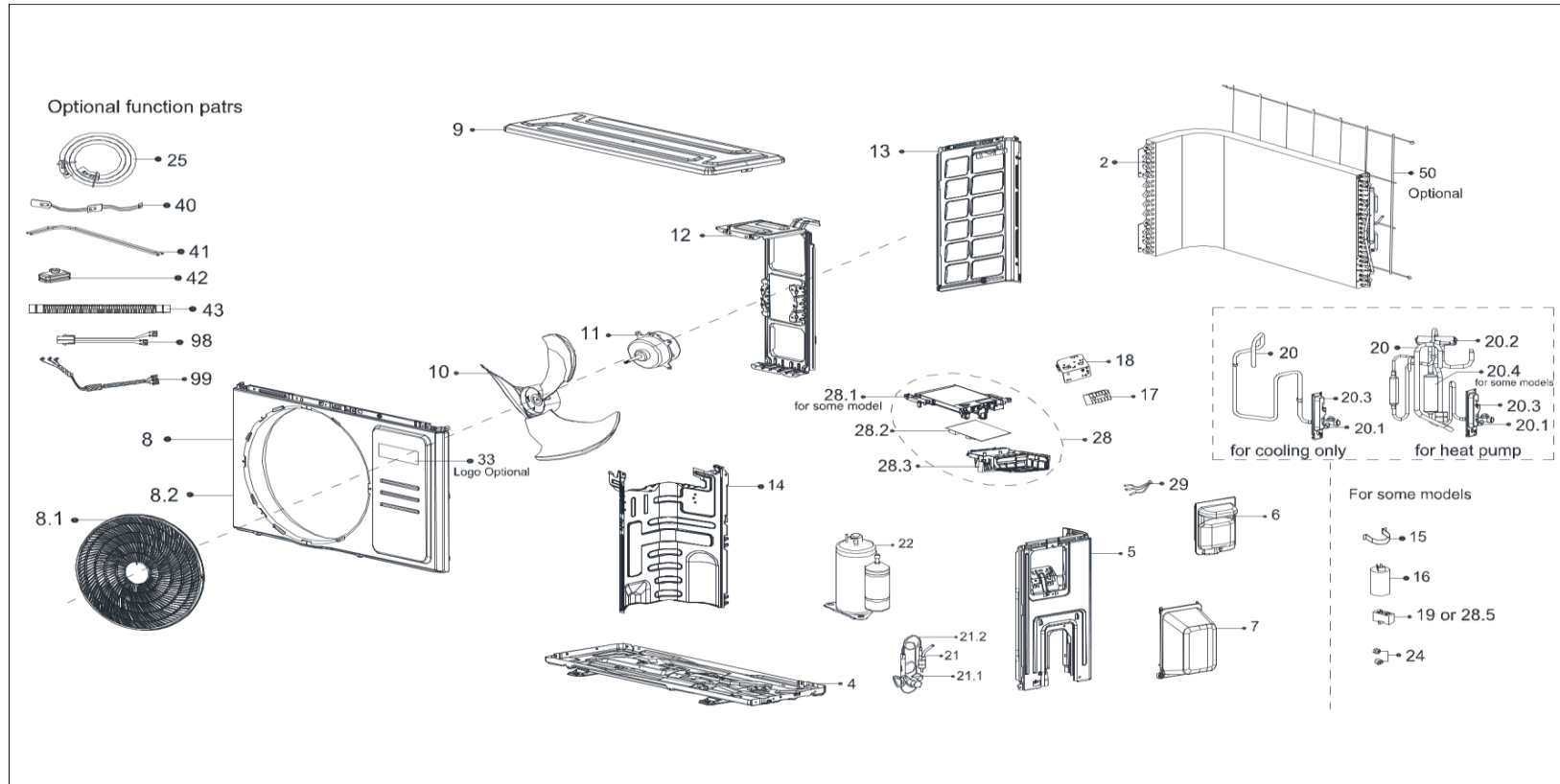


Code:
Model:
Brand:
Order:

22022016021000
KWX-09KRHO
KAISAI
62220-N5230401



EX_ID	Part Code	Part Name(EN)	Part Name(local)	Qty	Substitute
2	15822000014706	Condenser assembly	Condenser assembly	1.00	
4	12222000012131	Chassis Assembly	Chassis Assembly	1.00	
5	12222000012141	Right Clapboard Assembly	Right Clapboard Assembly	1.00	
6	12122000031166	Big Handle Assembly	Big Handle Assembly	1.00	
7	12122000007150	Water Collector	Water Collector	1.00	
8	12222000018765	Front Panel Assembly	Front Panel Assembly	1.00	
8.1	12122000024226	Air-Out Mesh Enclosure	Air-Out Mesh Enclosure	1.00	
8.2	12222000012138	Front panel	Front panel	1.00	
9	12222000014305	Top Cover Assembly	Top Cover Assembly	1.00	
10	12100105000821	Axial Flow Fan	Axial Flow Fan	1.00	12100105A00186
11	11002015016402	Brushless DC Motor	Brushless DC Motor	1.00	
12	12222000012390	Motor Bracket	Motor Bracket	1.00	
13	12222000012135	Left Side Panel	Left Side Panel	1.00	
14	12222000013428	Partition Board Assembly	Partition Board Assembly	1.00	
17	17400401000016	Terminal	Terminal	1.00	
18	12222000002259	Terminal Board	Terminal Board	1.00	
20	15422000024255	4-way valve assembly	4-way valve assembly	1.00	
20.1	15500204000021	Gas Valve	Gas Valve	1.00	
20.2	15500216001923	4-way valve	4-way valve	1.00	
20.3	12222000002571	Valve Plate	Valve Plate	1.00	
20.4	15122000030139	Muffler subassembly	Muffler subassembly	1.00	
21	15422000024942	Liquid valve Assembly	Liquid valve Assembly	1.00	
21.1	15500208000028	High Pressure Valve	Liquid Valve	1.00	
21.2	15122000011486	Capillary tube	Capillary tube	1.00	

22	11103020011803	DC Inverter Rotary Compressor	DC Inverter Rotary Compressor	1.00	
24	15500406000016	Flare Nut	Copper nut	1.00	
24	15500406000010	Flare Nut	Copper nut	1.00	15500406000015
28	17222000A68557	Electronic control box subassembly	Electronic control box subassembly	1.00	
28.1	12122000030601	Cover of electronic control box	Cover of electronic control box	1.00	
28.3	12122000030602	Electronic installing box subassembly	Electronic installing box subassembly	1.00	
29	11201011000688	Combination Sensor	Combination Sensor	1.00	
33	16022000D06783	Energy efficiency label	Energy efficiency label	1.00	
40	17402001000600	Crankcase electric heating strip	Crankcase electric heating strip	1.00	
41	17402002000464	Heater	Heater	1.00	
99	17401203012697	Compressor Wires Subassembly	Compressor Wires Subassembly	1.00	

