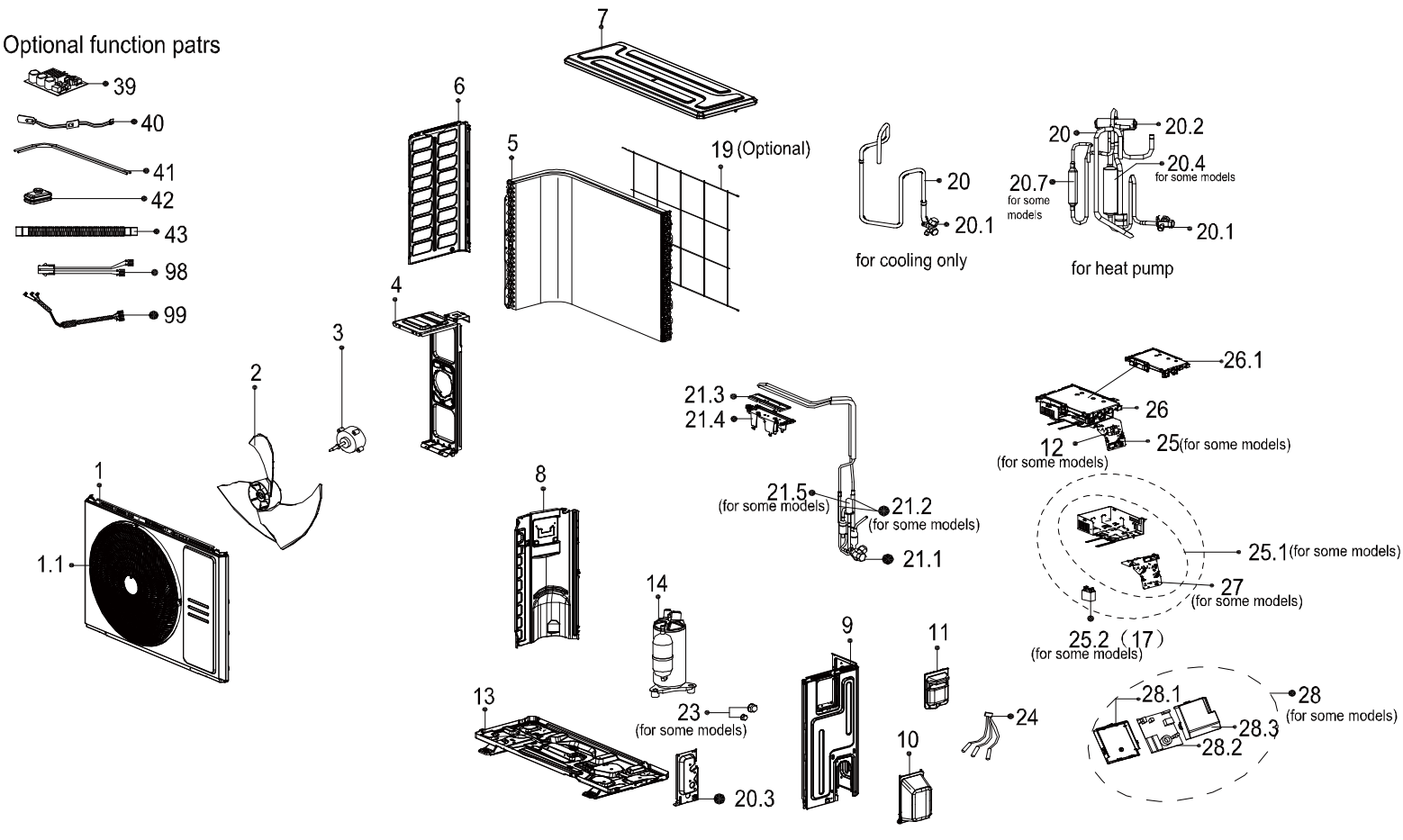


Optional function parts

- 39
- 40
- 41
- 42
- 43
- 98
- 99



Exploded View

产品编码(Product model) : 22022016016820
 客户编码(Customer No) : G0011405
 客户型号(Customer model) : KWX-24HRHO
 订单编码(Order Product Code) : 62220-J2612104

EX_ID	Spare Parts Code	Part Name(CN)	Part Name(EN)	Qty.	Remark2	Part Status	Drawing No	MIN_ORDE R_QTY	Long Term Material(Y or N)	High Rate of Replacemen t(Y or N)	SB Type	Replace Type	Remarks
1	12222000013505	前面板部件	Front panel	1		In Use	WX401.BJ.6	1					
1.1	12122000026421	出风网罩	Air outlet grille	1		In Use	WX401.SL.1	1					
2	12100105000841	轴流风叶	Axial Flow Fan	1		In Use	ZL-535*133*12-3KFN	1					12100105A0012
3	11002015000366	无刷直流电机	Brushless DC Motor	1		In Use	ZKFN-80-8-3	0					11002015A0119
4	12222000012371	电机支架	Motor Bracket	1		In Use	KFR-72W-X401.3-1	1					
5	15822000009836	冷凝器部件	Condenser assembly	1		In Use	KFR-72W/BP3N8-X401.JC.ZL.1B	1					
6	12222000012929	左侧板	Left Side Panel	1		In Use	KFR-72W-X401.4-1A	1					
7	1222200005737	顶盖部件	Top Cover Assembly	1		In Use	KFR-72W-X401.7	1					
8	12222000013245	隔板部件	Partition Board Assembly	1		In Use	KFR-72W-X401.2	1					
9	12222000012930	右侧板部件	Right Clapboard Assembly	1		In Use	KFR-72W-X401.5A	1					
10	12122000007150	接水盖	Water Collector	1		In Use	BA01.SL.2	1					
11	12122000031166	大把手部件	Big Handle Assembly	1		In Use	WX201.SL.1	1					
12	17400401000016	接线座(6位)	Terminal	1		In Use	JXZ-PG6H-A	1					
13	12222000013507	底座部件	Chassis Assembly	1		In Use	WX401.BJ.1B	1					
14	11103020006879	变频旋转式压缩机	DC Inverter Rotary Compressor	1		In Use	KTM240D43UKT	1					11103020A0073
20	15422000018832	四通阀部件	Four-Way Valve Subassembly	1		In Use	EU-KFR70W/BP3N8-X401(RD0).ZL.1	1					
20.1	15500204000502	低压阀	Gas Valve	1		In Use	DYF-C16N2	1					
20.2	15500216000026	四通阀(R410A,线长450,VHR 连接器)	4-way Valve	1		In Use	STF-02BN1(VHR)	1			SB011690	15500216000003	
20.3	1222200005738	阀安装板	Valve Plate	1		In Use	KFR-72W-X401.1	1					
20.4	15122000027161	消声器组件	Muffler subassembly	1		In Use	EU-KFR70W/BP3N8-X401(RD0).ZL.1.(GT)	1					
20.7	15122000027116	消声器组件	Muffler subassembly	1		In Use	KFR-72W/BP3N8-X401.JC.ZL.2.1A(GT)	1					
21	15422000017892	高压阀部件	Liquid Valve Assembly	1		In Use	EU-KFR70W/BP3N8-X401(RD0)-GW.ZL.1	1					
21.1	15500208000286	高压阀	Liquid Valve	1		In Use	GYF-C27N	1					
21.2	15500210004472	节流阀	Throttle valve	1		In Use	JLF(G)-042-N8-N6	1					
21.2	15500210004469	节流阀	Throttle valve	1		In Use	JLF(G)-038-N8-N6	1					
21.3	11203803001176	散热器	Radiator	1		In Use	SRQ155.2*37.9*5.3-AIQ80g-N	1					
21.4	12122000011478	U型铜管支撑	U-Typed Support with Copper Pipe	1		In Use	C01.DKH.SL-1	1					
23	15500406000003	铜螺母	Copper nut	1	A01=6.3 5mm(1/4 in);B02=9.52mm(3/8in);C03=12.7mm(1/2in);D04=15.3mm(5/8in);E05=19mm(3/4in);F07=22mm(7/8in)	In Use	TLM-D04	0	N	N			
23	15500406000010	铜螺母	Copper nut	1	A01=6.3 5mm(1/4 in);B02=9.52mm(3/8in);C03=12.7mm(1/2in);D04=15.3mm(5/8in);E05=19mm(3/4in);F07=22mm(7/8in)	In Use	TLM-B02	0	N	N	SB011738	15500406000015	
24	11201011000188	组合传感器	Combination Sensor	1		In Use	CGO-ZH-GW/SW/PQ-L1100-XH-P900-3(CH)	1					
25	17222000031763	电控盒端子板组件	Terminal Board Subassembly	1		In Use	KFR-72W/BP3N8-X401.JD.TY.BDZ.DZ1.2-1B	1					
26	17222000A61570	外铜变频室外电控盒组件	Electronic control box subassembly	1		In Use	EU-KFR70W/BP3N8-X431(LMG+PD22020AZ1+KTM240D43UKT+RX241mini+6MBP30XSF060+6892).JD.FW.WX.WKB.DK1(AGWL)	1					
26.1	12122000008999	电控安装盒	Electronic Installing Box	1		In Use	KFR-26W/BP2N1-J181.D.13.DK1.1.1-1A	1					

26.2	17122000A42776	外销变频室外主控板组件	Outdoor main control board subassembly	1		In Use	EU-KFR70W/BP3N8-X431(LMG+PD22020AZ1+KTM240D43UKT+R X24Tmini+6MBP30XSF060+6892).JD.FW.WX WKB.WK2(AGWL)						
33	16022000C88618	能效标识	Energy efficiency label	1		In Use	KAISAI-KFR70W/BP3N8-X431(RD0)-GW-0403	1					
40	17402001000603	曲轴电加热带	Crankcase Electric Heating Strip	1		In Use	DJRD-358A-800-20W-5	1					
41	17402002000544	电加热管	Heater	1		In Use	DJRG-150W-X4-1	1					
99	17401203012697	压缩机连接线组	Compressor Wires Subassembly	1		In Use	PXQ-YSJ200RD/190BL/210BK-14#PA66	1					