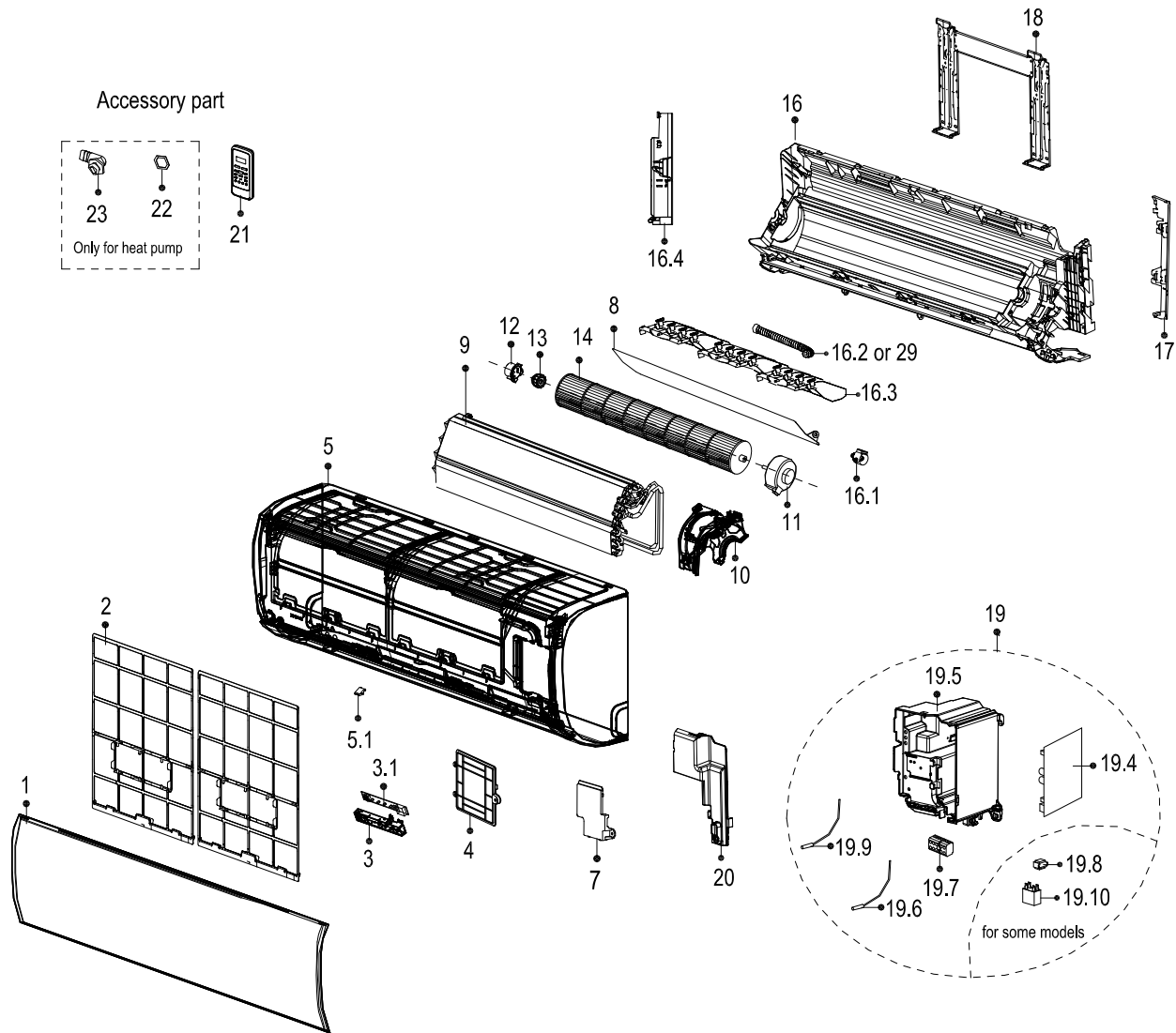
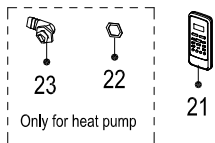
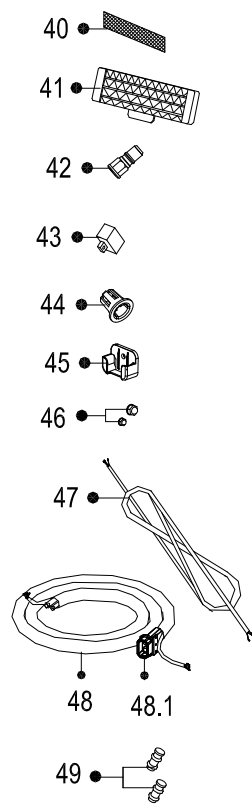


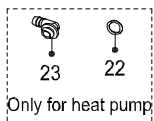
Accessory part



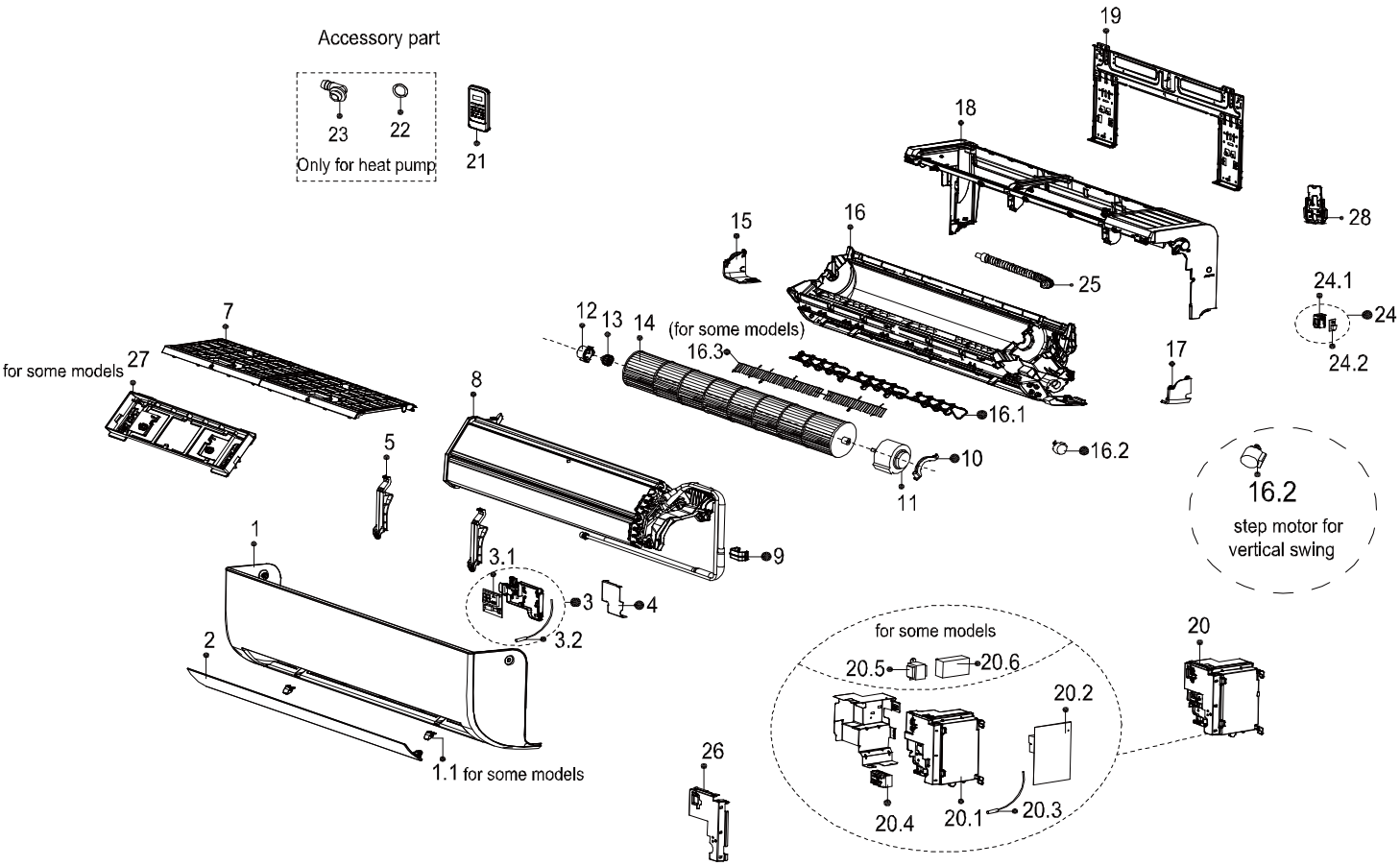
Optional part



Accessory part



Only for heat pump



Optional part

- 40 ● [part]
- 41 ● [part]
- 42 ● [part]
- 43 ● [part]
- 44 ● [part]
- 45 ● [part]
- 46 ● [part]
- 47 ● [part]
- 48 ● [part]
- 48.1 ● [part]
- 49 ● [part]
- 50 ● [part]
- 98 ● [part]

Exploded View

产品编码(Product model) : 22022011012359
 客户编码(Customer No) : G0011405
 客户型号(Customer model) : KWX-24HRGI
 订单编码(Order Product Code) : 62220-D6595107

EX_ID	Spare Parts Code	Part Name(CN)	Part Name(EN)	Qty.	Remark2	Part Status	Drawing No	MIN_ORDER_QTY	Long Term Material(Y or N)	High Rate of Replacement(Y or N)	SB Type	Replace Type	Remarks
1	12122000A84108	面板部件	Panel assembly	1		In Use	KAISAI-KF70G/N1Y-AF9.1-0103	1					
2	12122000015222	过滤网 RoHS,PAHs,REACH SA-KFR70G/N1Y-AFD-6A 70AF大过滤网	Air filter	2		In Use	SA-KFR70G/N1Y-AFD-6A	1					
3	17222000A46336	外销分体显示盒组件	Display box subassembly	1		In Use	CE-KFR35G/N1Y-AF9.D.01.XK1.2(WIFI)						
3.1	17122000053593	外销分体显示板组件 RoHS EU-KFR26G/N1Y-AF.JD.GN.WXXS.XS2.1(XK/908) 带红外线控制器插口 CN2_908芯	Display board subassembly	1		In Use	EU-KFR26G/N1Y-AF.JD.GN.WXXS.XS2.1(XK/908)						
4	12122000013357	电器盖板 S1022 RoHS,PAHs,REACH SA-KFR70G/N1Y-AFD-5 PAHS	Cover of electrical equipment	1		In Use	SA-KFR70G/N1Y-AFD-5	1					
5	12122000013353	面板部件 S1022 RoHS SA-KFR70G/N1Y-AFD.2 PAHS	Panel frame assembly	1		In Use	SA-KFR70G/N1Y-AFD.2						
5.1	12122000013355	螺钉盖 S1022 RoHS,PAHs,REACH SA-KFR70G/N1Y-AFD.2.2	Screw Cap	2		In Use	SA-KFR70G/N1Y-AFD.2.2	1					
7	12122000013350	接线盖防护组件 浅灰色 RoHS,PAHs,REACH SA-KFR70G/N1Y-AFD.6 PAHS	Cover of electrical equipment subassembly	1		In Use	SA-KFR70G/N1Y-AFD.6	1					
8	12122000013348	导风板 S1022 RoHS,PAHs,REACH SA-KFR70G/N1Y-AFD-1	Horizontal louver	1		In Use	SA-KFR70G/N1Y-AFD-1						
9	15822000008192	蒸发器部件 REACH,RoHS SA-KF70G/N1Y-AFD(B8)(15U).ZL(J) 浅金色	Evaporator assembly	1		In Use	SA-KF70G/N1Y-AFD(B8)(15U).ZL(J)	1					
10	12122000013349	电机盖 本色 RoHS,PAHs,REACH SA-KFR70G/N1Y-AFD-9 取消色母	Fan motor cover	1		In Use	SA-KFR70G/N1Y-AFD-9	1					
11	11002015008646	无刷直流电机 RoHS ZKFP-58-8-1-5 310V	Brushless DC Motor	1		In Use	ZKFP-58-8-1-5						
12	12122000000350	轴承座套 RoHS ZCZT-01	Bearing holder	1		In Use	ZCZT-01	1					
13	12622000000131	轴承座组件 RoHS ZCZZJ-01	Bearing components	1		In Use	ZCZZJ-01	1					
14	12100102000002	贯流风轮组件 RoHS GL-107.5*780-IN	Cross flow fan	1		In Use	GL-107.5*780-IN	1					
16	12122000020045	室内机底盘部件 钛钢灰RE-GY103 PAHs,REACH,RoHS SA-KFR70G/N1Y-AFD.3 改模后;双排水,基准右排水,PAHS	Chassis assembly	1		In Use	SA-KFR70G/N1Y-AFD.3	1					
16.1	11002010000049	步进电机 RoHS SM-30-17-12-14	Stepper motor	1		In Use	SM-30-17-12-14						
16.3	12122000013343	百叶 钛钢灰RE-GY103 RoHS,PAHs,REACH SA-KFR70G/N1Y-AFD.3-4 手动一体百叶	Horizontal louver	3		In Use	SA-KFR70G/N1Y-AFD.3-4	1					
16.4	12122000013342	底盘前盖板(左) 钛钢灰RE-GY103 RoHS,PAHs,REACH SA-KFR70G/N1Y-AFD.3.3	Front cover of chassis(left)	1		In Use	SA-KFR70G/N1Y-AFD.3.3	1					
16.5	12122000000344	防电轴(本色,POM) RoHS EU-KFR35G/BP3N1Y-1A.1-1 (本色,POM)	Insulated axis	1		In Use	EU-KFR35G/BP3N1Y-1A.1-1	1					
17	12122000013346	配管压板 RE-GY103(钛钢灰) RoHS,PAHs,REACH SA-KFR70G/N1Y-AFD-2 PAHS	pipe clamp board	1		In Use	SA-KFR70G/N1Y-AFD-2	1					

18	12222000005965	室内机安装板 RoHS,PAHs,REACH SA-KFR70G/N1Y-AFD.4 PAHS	Installation plate	1		In Use	SA-KFR70G/N1Y-AFD.4	1					
19	17222000034345	外销分体室内电控盒组件(中低端)	Electronic control box subassembly (Mid-and low-end)	1		In Use	EU-KFR70G/BP3N1Y-AFD-W.JD.GN.WXNK.DK2.1(R32/EE1/NEW_ERR)	1					
19.4	17122000052104	外销分体室内主控板组件	Main control board subassembly	1		In Use	EU-KFR70G/BP3N1Y-AFD-W.JD.GN.WXNK.NK2.1(R32/EE1/NEW_ERR)						
19.5	12122000020046	电控盒结构组件 PAHs,REACH,RoHS SA-KFR70G/N1Y-AFD.5 70AF电控整合70AE电控项目,12122000013004下层结构件改模,此新编码为12122000013004改后状态	Electronic control box subassembly	1		In Use	SA-KFR70G/N1Y-AFD.5	1					
19.6	11201007003447	管温传感器 REACH,RoHSCGQ-WD/GW4100-L350-XACP2-P250	Pipe Temperature Sensor	1		In Use	CGQ-WD/GW4100-L350-XACP2-P250						
19.7	17400401000006	接线座(5位)(源峰) RoHS JXZ-AD5Z(UL)-C(YF2004C)	Terminal	1		In Use	JXZ-AD5Z(UL)-C(YF2004C)	1					
19.9	11201007003424	室温传感器 REACH,RoHSCGQ-WD/SW4100-L350-XHBCP2BL-P300-HT1.0	Room Temperature Sensor	1		In Use	CGQ-WD/SW4100-L350-XHBCP2BL-P300-HT1.0						
20	12122000013356	电控盒盖组件 浅灰色 RoHS,PAHs,REACH SA-KFR70G/N1Y-AFD.7 PAHS	Electrical Control Box Cover Subassembly	1		In Use	SA-KFR70G/N1Y-AFD.7	1					
21	17317000A57288	订单遥控器	Remote controller	1		In Use	RG66A1/BGEF	1					
22	12600701000039	密封圈 RoHS KC25B.4-8A	seal ring	1		In Use	KC25B.4-8A	1					
23	12100509000061	出水接管 RoHS CSJG-1	Drain hose	1		In Use	CSJG-1	1					
40	12100204000685	冷触媒过滤网 RoHS KFR-23G/AY.1-10	Air freshening filter	1		In Use	KFR-23G/AY.1-10	1					
40	12100207000136	HEPA网 RoHS,REACH KFR-23G/IY.1-14A 生物杀菌、北美禁用	High efficiency particulate air filter	1		In Use	KFR-23G/IY.1-14A	1					
45	12122000027144	遥控器安装支架组件 PAHs,REACH,RoHS RG66-ZJ 将12117000002115支架和11303120000020螺钉合并为组件编码	Bracket of remote Controller	1		In Use	RG66-ZJ	1					
46	15500406000003	铜螺母 RoHS TLM-D04	Copper nut	1	A01=6.3 5mm(1/4in);B02=9.52mm(3/8in);C03=12.7mm(1/2in);D04=15.9mm(5/8in);E05=19mm(3/4in);F07=22mm(7/8in);	In Use	TLM-D04	0	N	N			
46	15500406000010	铜螺母 RoHS TLM-B02	Copper nut	1	A01=6.3 5mm(1/4in);B02=9.52mm(3/8in);C03=12.7mm(1/2in);D04=15.9mm(5/8in);E05=19mm(3/4in);F07=22mm(7/8in);	In Use	TLM-B02	0	N	N			
98	17310900A06289	WiFi模块组件	WiFi module subassembly	1		In Use	EU-OSK105.JD.TY.MWL.NET	1					