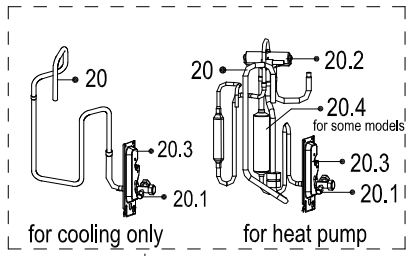
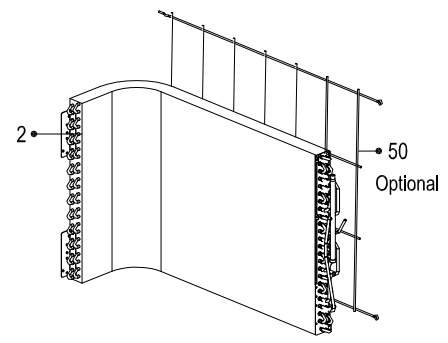
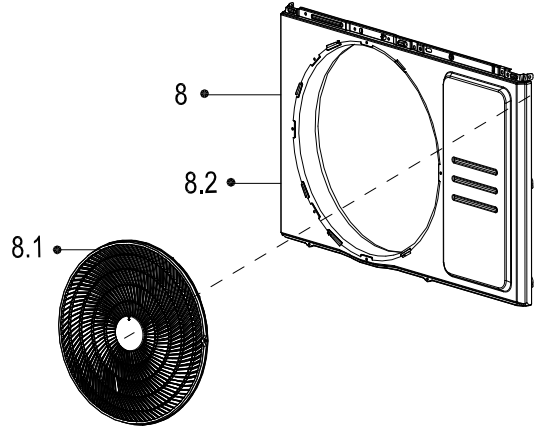


Optional function parts

- 39
- 40
- 41
- 42
- 43
- 98
- 99

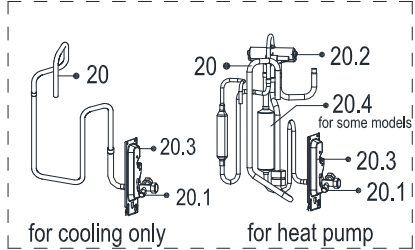
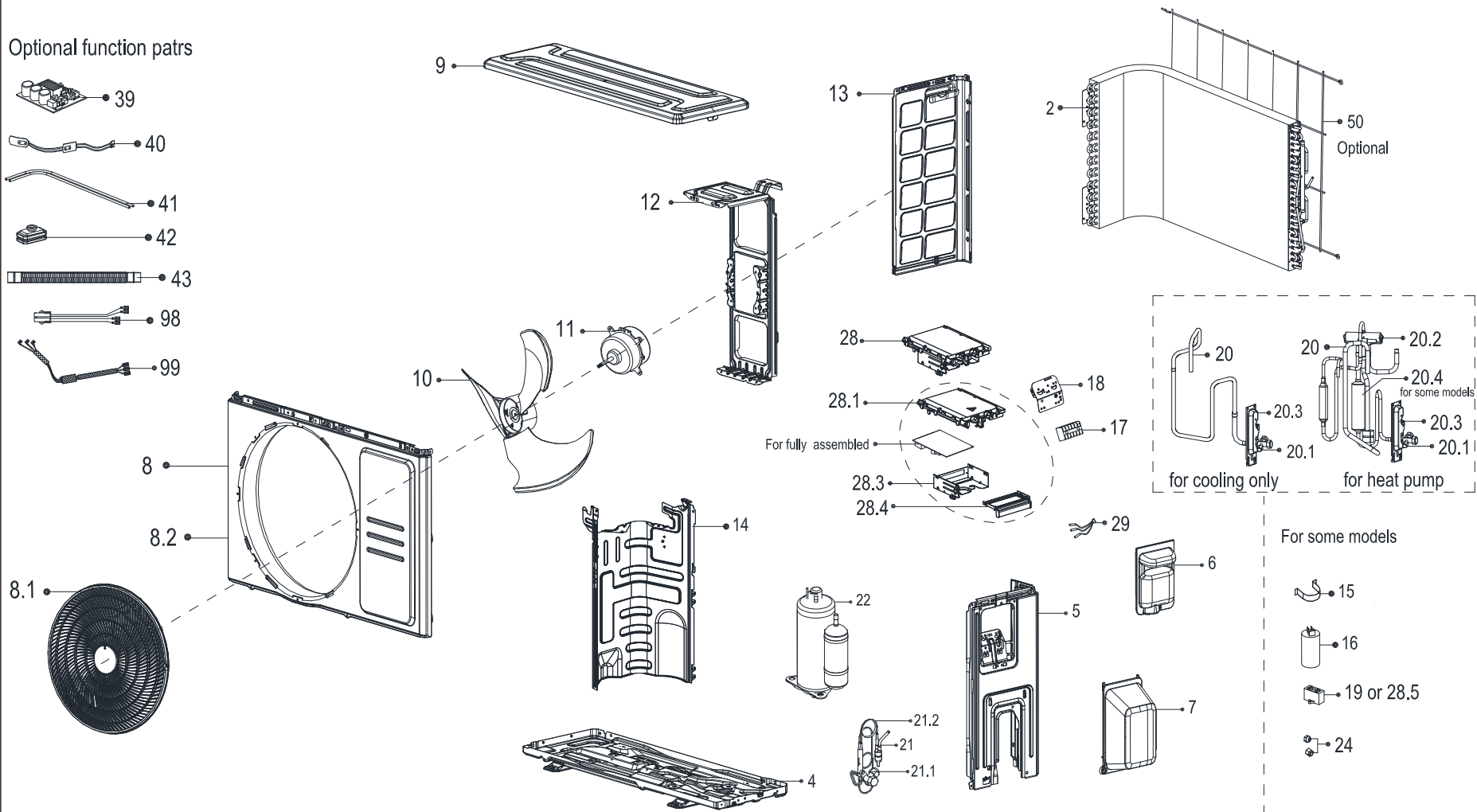


For some models

- 51
- 15
- 16
- 19
- 23
- 24
- 29

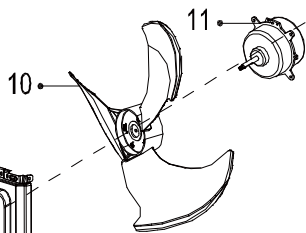
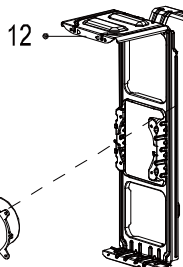
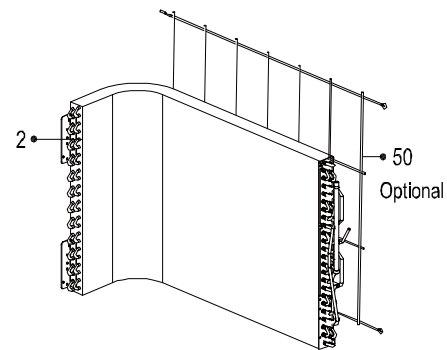
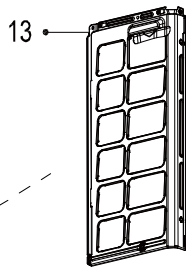
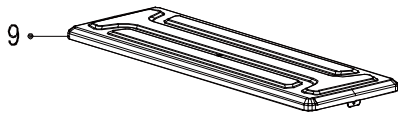
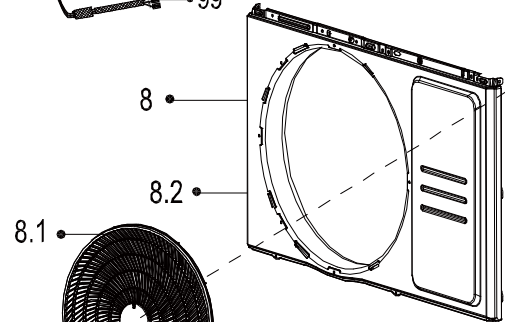
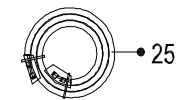
Optional function parts

- 39
- 40
- 41
- 42
- 43
- 98
- 99

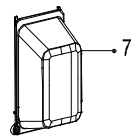
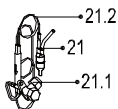
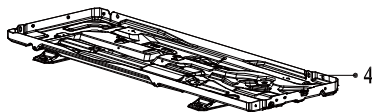
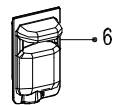
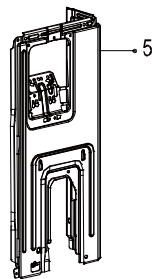
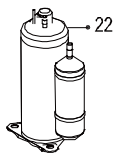
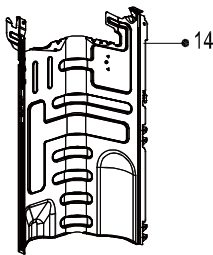
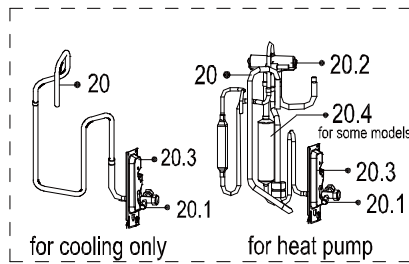
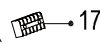
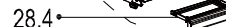
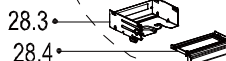


- For some models
- 15
  - 16
  - 19 or 28.5
  - 24

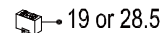
# Optional function parts



For fully assembled



For some models



### Exploded View

产品编码(Product model) : 22022016015140  
 客户编码(Customer No) : G0011405  
 客户型号(Customer model) : KWX-12HRGO  
 订单编码(Order Product Code) : 62220-D6595104

EX_ID	Spare Parts Code	Part Name(CN)	Part Name(EN)	Qty.	Remark2	Part Status	Drawing No	MIN_ORDER_QTY	Long Term Material(Y or N)	High Rate of Replacement(Y or N)	SB Type	Replace Type	Remarks
2	15822000009658	冷凝器部件	Condenser assembly	1		In Use	KFR-26W/BP2N8-X101.JC.ZL.1	1					
4	12222000012131	底盘部件	Chassis assembly	1		In Use	WX101.BJ.5	1					
5	12222000012141	右侧板部件	Right clapboard assembly	1		In Use	WX101.BJ.4	1					
6	12100701A00057	大把手部件	Big handle assembly	1		In Use	W110.3.1	1					
7	12122000007150	接水盘	Water collector	1		In Use	BA01.SL-2	1					
8	12222000012137	前面板部件 SB2098 REACH,RoHS WX101.BJ.1	Front panel assembly	1		In Use	WX101.BJ.1	1					
8.1	12122000024226	出风网罩	Air outlet grille	1		In Use	WX101.SL-1	1					
8.2	12222000012138	前面板 SB2098 REACH,RoHS WX101.BJ.1-1	Front panel	1		In Use	WX101.BJ.1-1	1					
9	12222000014305	顶盖部件	Top cover assembly	1		In Use	WX101.BJ.2A	1					
10	12100105000821	轴流风叶	Axial flow fan	1		In Use	ZL-415*129*8-3KN	1					
11	11002015012128	无刷直流电机 RoHS ZKFN-34-10-1-3 310	Brushless DC Motor	1		In Use	ZKFN-34-10-1-3						
12	12222000012390	电机支架	Supporter of fan motor	1		In Use	WX101.BJ.10-1	1					
13	12222000012135	左侧板	Left supporter	1		In Use	WX101.BJ-1	1					
14	12222000012266	隔板	Partition board	1		In Use	WX101.BJ-5	1					
17	17400401000016	接线座(6位) RoHS JXZ-PG6H-A	Terminal	1		In Use	JXZ-PG6H-A	1					
18	12222000002259	端子安装板 RoHS BA01.BJ-11	Terminal board	1		In Use	BA01.BJ-11	1					
20	15422000017673	四通阀部件 REACH,RoHS KFR-26W/BP2N8-X101.JC.ZL.2A	4-way Valve Assembly	1		In Use	KFR-26W/BP2N8-X101.JC.ZL.2A	1					
20.1	15500204000021	低压阀 RoHS DYF-A28N 锥面角度89±1°	Gas valve	1		In Use	DYF-A28N	1					
20.2	15500216001903	四通阀 REACH,RoHS STF-01N1 VHR 线长290	4-way valve	1		In Use	STF-01N1	1					
20.3	12222000002571	阀安装板(SB2098) RoHS A01.BJ-8	Valve plate	1		In Use	A01.BJ-8	1					
20.4	15122000025014	消声器组件 REACH,RoHS KFR-26W/BP2N8-X101.JC.ZL.2.1	Muffler Subassembly	1		In Use	KFR-26W/BP2N8-X101.JC.ZL.2.1						
21	15422000016434	高压阀部件	Liquid valve Assembly	1		In Use	EU-KFR35W/BP3N8-X130(RD0)-GW.ZL.1	1					
21.1	15500208000028	高压阀 RoHS,REACH GYF-A28N 锥面角度89±1°	Liquid valve	1		In Use	GYF-A28N						
21.2	15122000011174	毛细管	Capillary	1		In Use	US1-KFR26W/BP2N1-BA01(Q0)-W.ZL.3-1	1					
22	11103020005082	变频旋转式压缩机	DC Inverter rotary compressor	1		In Use	KSK103D33UEZ3						
24	15500406000010	铜螺母 RoHS TLM-B02	Copper nut	1	A01=6.3 5mm(1/4in);B02=9.52mm(3/8in);C03=12.7mm(1/2in);D04=15.9mm(5/8in);E05=19mm(3/4in);F07=22mm(7/8in);	In Use	TLM-B02	0	N	N			

24	15500406000016	铜螺母 RoHS TLM-A01	Copper nut	1	A01=6.35mm(1/4in);B02=9.52mm(3/8in);C03=12.7mm(1/2in);D04=15.9mm(5/8in);E05=19mm(3/4in);F07=22mm(7/8in);	In Use	TLM-A01	0	N	N			
28	17222000031137	外销变频室外电控盒组件	Electronic control box subassembly	1		In Use	EU-KFR35W/BP3N8-X130(AF/MA_KSK103D33UEZ3_RX24Tmini_SDM15G60_SDH8654_4204).JD.FW.WXWK2.DK1.2(AGWL)	1					
28.1	12122000024223	电器安装板 REACH,RoHS WX101.SL-2	Support of electronic control box	1		In Use	WX101.SL-2	1					
28.3	12222000012106	电控安装盒组件 REACH,RoHS WX101.BJ.6	Electronic installing box subassembly	1		In Use	WX101.BJ.6	1					
28.4	12122000024222	固定板 REACH,RoHS WX101.SL-3	Fixing board	1		In Use	WX101.SL-3	1					
29	11201011000067	组合传感器 RoHS CGQ-ZH-GW/SW/PQ-L735-XH-P500-3-01	Combination sensor	1		In Use	CGQ-ZH-GW/SW/PQ-L735-XH-P500-3-01	1					
99	17401203012697	压缩机连接组 RoHS PXQ-YSJ200RD/190BL/210BK-14#PA66	Compressor wire subassembly	1		In Use	PXQ-YSJ200RD/190BL/210BK-14#PA66	1					