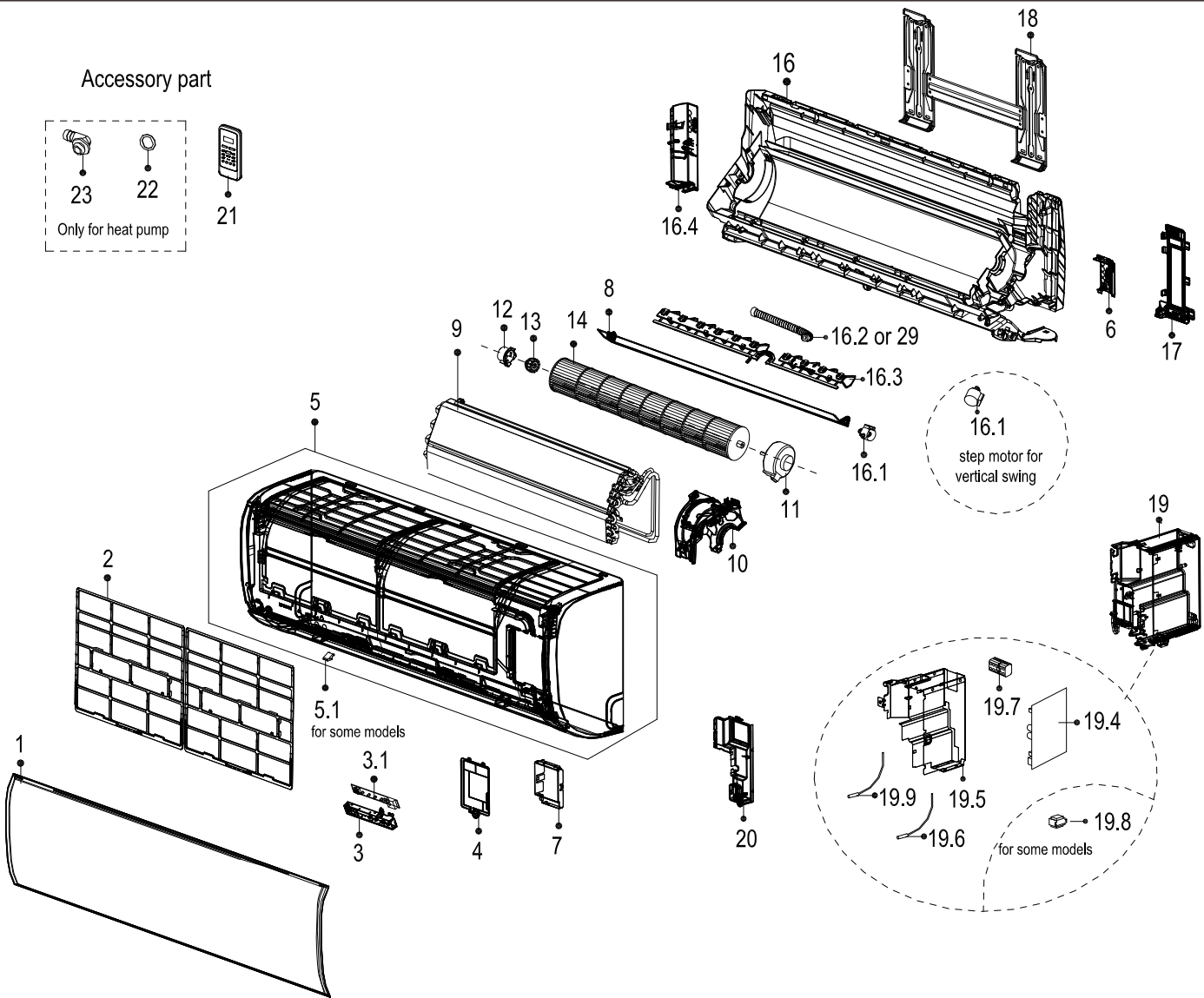
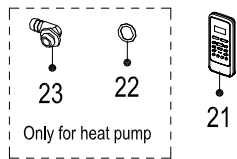
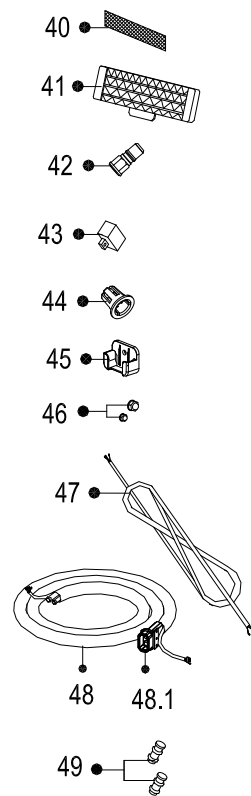


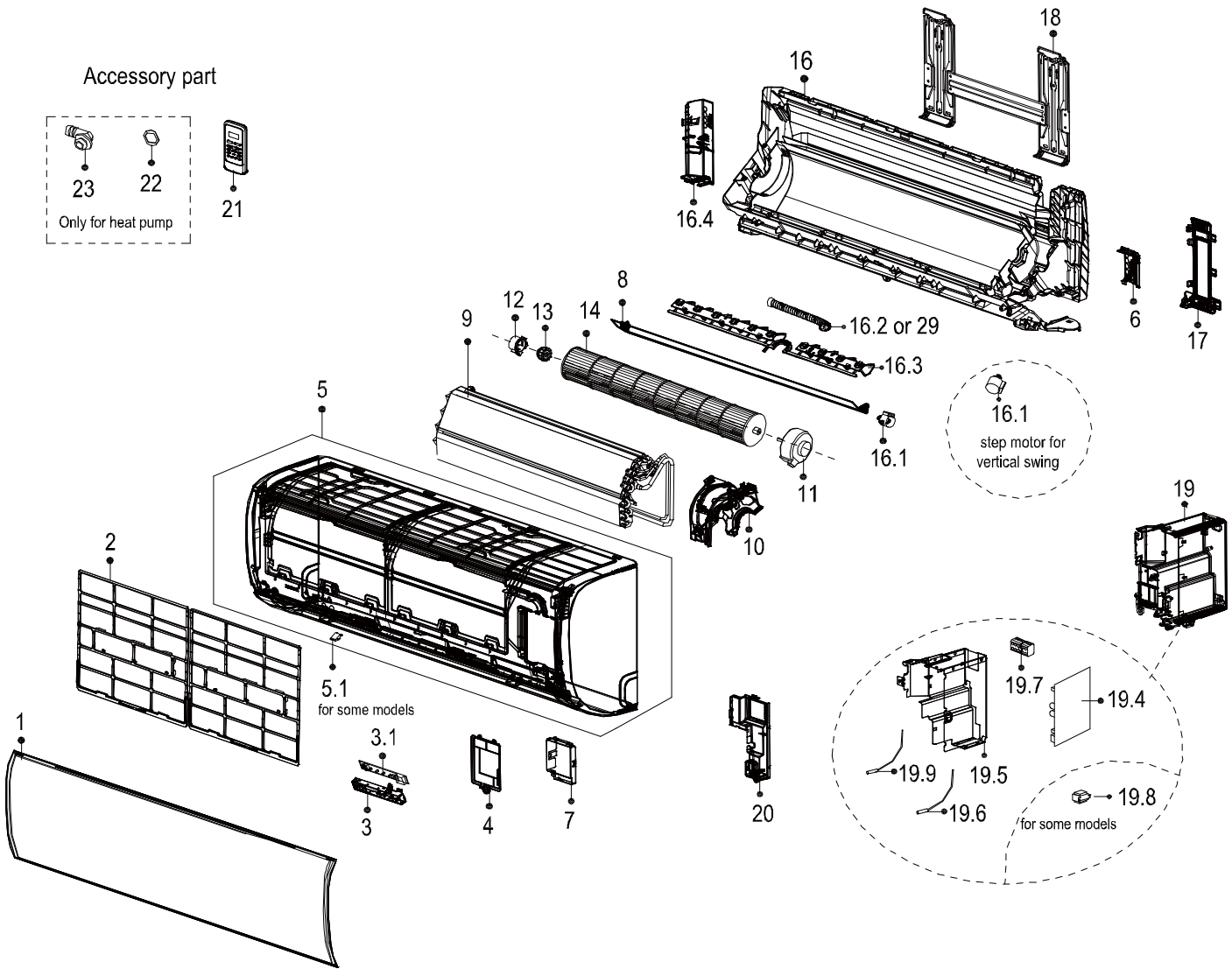
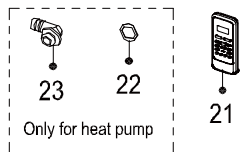
Accessory part



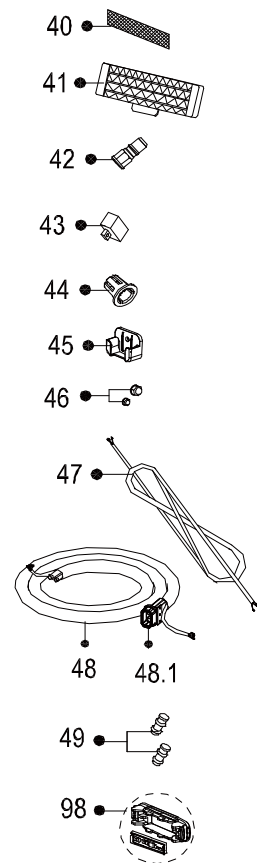
Optional part



Accessory part



Optional part



Exploded View

产品编码(Product model) : 22022011012298
 客户编码(Customer No) : G0011405
 客户型号(Customer model) : KWX-09HRGI
 订单编码(Order Product Code) : 62220-D6595101

EX_ID	Spare Parts Code	Part Name(CN)	Part Name(EN)	Qty.	Remark2	Part Status	Drawing No	MIN_ORDER_QTY	Long Term Material(Y or N)	High Rate of Replacement(Y or N)	SB Type	Replace Type	Remarks
1	12122000A83978	面板部件	Panel assembly	1		In Use	KAISAI-KF35G/N1Y-AF9.1-0103	1					
2	12122000015224	过滤网 PANTONE 304C RoHS,PAHs,REACH SA- KF35G/N1Y-AF-17	Air filter	2		In Use	SA-KF35G/N1Y-AF-17	1					
3	17222000A46336	外销分体显示盒组件	Display box subassembly	1		In Use	CE-KFR35G/N1Y-AF9.D.01.XK1.2(WIFI)						
3.1	17122000053593	外销分体显示板组件 RoHS EU-KFR26G/N1Y- AF.JD.GN.WXXS.XS2.1(XK/9 08) 带红外线控制器插口 CN2_908芯	Display board subassembly	1		In Use	EU-KFR26G/N1Y- AF.JD.GN.WXXS.XS2.1(XK/908)						
4	12122000013131	电器盖板	Cover of electrical equipment	1		In Use	SA-KF35G/N1Y-AF-7	1					
5	12122000013170	面框部件 S1022 RoHS SA- KF35G/N1Y-AF.2	Panel frame assembly	1		In Use	SA-KF35G/N1Y-AF.2						
5.1	12122000013139	螺钉盖	Screw Cap	2		In Use	SA-KF35G/N1Y-AF.2-2	1					
6	12122000013140	底盘前盖板(右)	Front cover of chassis(right)	1		In Use	SA-KF35G/N1Y-AF-8	1					
7	12122000013141	接线盖防护组件	Cover of electrical equipment subassembly	1		In Use	SA-KF35G/N1Y-AF.7	1					
8	12122000013168	导风板部件 S1022 RoHS SA- KF35G/N1Y-AF.5	Horizontal louver assembly	1		In Use	SA-KF35G/N1Y-AF.5	1					
9	15822000008180	蒸发器部件 RoHS,REACH SA-KF35G/N1Y- AFB(B8).ZL[A](J) Φ5-13U蒸 发器 1P管接头 浅金色	Evaporator assembly	1		In Use	SA-KF35G/N1Y-AFB(B8).ZL[A](J)	1					
10	12122000013129	电机盖	Fan motor cover	1		In Use	SA-KF35G/N1Y-AF-6	1					
11	11002012031474	单相异步电机 RoHS YKFG- 13-4-38L-4 230 50Hz	Single phase asynchronous motor	1		In Use	YKFG-13-4-38L-4						
12	12122000000350	轴承座套 RoHS ZCZT-01	Bearing holder	1		In Use	ZCZT-01	1					
13	12622000000131	轴承座组件 RoHS ZCZZJ-01	Bearing components	1		In Use	ZCZZJ-01	1					
14	12100102000044	贯流风轮 RoHS,REACH GL- 94*605-N	Cross flow fan	1		In Use	GL-94*605-N	1					
16	12122000A27339	室内机底盘部件	Chassis assembly	1		In Use	SA-KF35G/N1Y-AF.3B	1					
16.1	11002010A00014	步进电机 RoHS SM-24-19- 16-89	Stepper motor	1		In Use	SM-24-19-16-89						
16.1	11002010000143	步进电机 RoHS SM-24-19- 16-8	Stepper motor	1		In Use	SM-24-19-16-8						
16.2	12100501000032	出水喉 RoHS KFR- 26G/BP2DN1Y-IC-10	Drain hose	1		In Use	KFR-26G/BP2DN1Y-IC-10	1					
16.3	12122000A26205	驱动百叶	drive Louver	10		In Use	CE-KFR35G/N1Y-AE.3-16	1					
16.4	12122000013123	底盘前盖板(左)	Front cover of chassis(left)	1		In Use	SA-KF35G/N1Y-AF.3-11	1					
16.5	12122000000344	防电轴(本色,POM) RoHS EU- KFR35G/BP3N1Y-1A.1-1 (本 色_POM)	Insulated axis	1		In Use	EU-KFR35G/BP3N1Y-1A.1-1	1					
17	12122000013136	配管压板	pipe clamp board	1		In Use	SA-KF35G/N1Y-AF-3	1					
18	12222000005844	室内机安装板	Installation plate	1		In Use	SA-KF35G/N1Y-AF.6	1					
19	17222000031597	外销分体室内电控盒组件(中 低端) RoHS EU- KFR35G/BP2N1Y- AFBU(RD0)- GW.JD.GN.WXNK.DK2.2(PC B/NEW_ERR)	Electronic control box subassembly (Mid-and low-end)	1		In Use	EU-KFR35G/BP2N1Y-AFBU(RD0)- GW.JD.GN.WXNK.DK2.2(PCB/NEW_ERR)	1					
19.4	17122000048779	外销分体室内主控板组件	Main control board subassembly	1		In Use	CE-KFR26G/BP2N1Y-AE.JD.GN.WXNK.NK2.2 (NEW_ERR)						
19.5	12122000013001	电控盒结构组件	Electronic control box subassembly	1		In Use	SA-KF35G/N1Y-AF.9	1					

19.6	11201007003447	管温传感器 REACH,RoHS CGQ-WD/GW4100-L350- XACP2-P250	Pipe Temperature Sensor	1		In Use	CGQ-WD/GW4100-L350-XACP2-P250						
19.7	17400401000094	接线座(整改,原编码 2230145023)(中达/源峰/凯都/ 静格)	Terminal	1		In Use	JXZ-AD5Z-A(RS9103C-5/YF2004/JX-PF-5/JGD- ZR5-P-1)	1					
19.9	11201007003424	室温传感器 REACH,RoHS CGQ-WD/SW4100-L350- XHBCP2BL-P300-HT1.0	Room Temperature Sensor	1		In Use	CGQ-WD/SW4100-L350-XHBCP2BL-P300- HT1.0						
20	12122000013132	电控盒盖组件	Electrical Control Box Cover Subassembly	1		In Use	SA-KF35G/N1Y-AF.8	1					
21	17317000A57288	订单遥控器	Remote controller	1		In Use	RG66A1/BGEF	1					
22	12600701000039	密封圈 RoHS KC25B.4-8A	seal ring	1		In Use	KC25B.4-8A	1					
23	12100509000061	出水接管 RoHS CSJG-1	Drain hose	1		In Use	CSJG-1	1					
40	12100204000685	冷触媒过滤网 RoHS KFR- 23G/AY.1-10	Air freshening filter	1		In Use	KFR-23G/AY.1-10	1					
40	12100207000136	HEPA网 RoHS,REACH KFR- 23G/IY.1-14A 生物杀菌、北 美禁用	High efficiency particulate air filter	1		In Use	KFR-23G/IY.1-14A	1					
45	12122000027144	遥控器安装支架组件 PAHs,REACH,RoHS RG66- ZJ 将12117000002115支架和 11303120000020螺钉合并为 组件编码	Bracket of remote Controller	1		In Use	RG66-ZJ	1					
46	15500406000010	铜螺母 RoHS TLM-B02	Copper nut	1	A01=6.3 5mm(1/ 4in);B02 =9.52m m(3/8in) ;C03=12 .7mm(1/ 2in);D04 =15.9m m(5/8in) ;E05=19 mm(3/4 in);F07= 22mm(7 /8in);	In Use	TLM-B02	0	N	N			
46	15500406000016	铜螺母 RoHS TLM-A01	Copper nut	1	A01=6.3 5mm(1/ 4in);B02 =9.52m m(3/8in) ;C03=12 .7mm(1/ 2in);D04 =15.9m m(5/8in) ;E05=19 mm(3/4 in);F07= 22mm(7 /8in);	In Use	TLM-A01	0	N	N			
98	17310900A06289	WIFI模块组件	WIFI module subassembly	1		In Use	EU-OSK105.JD.TY.MWL.NET	1					