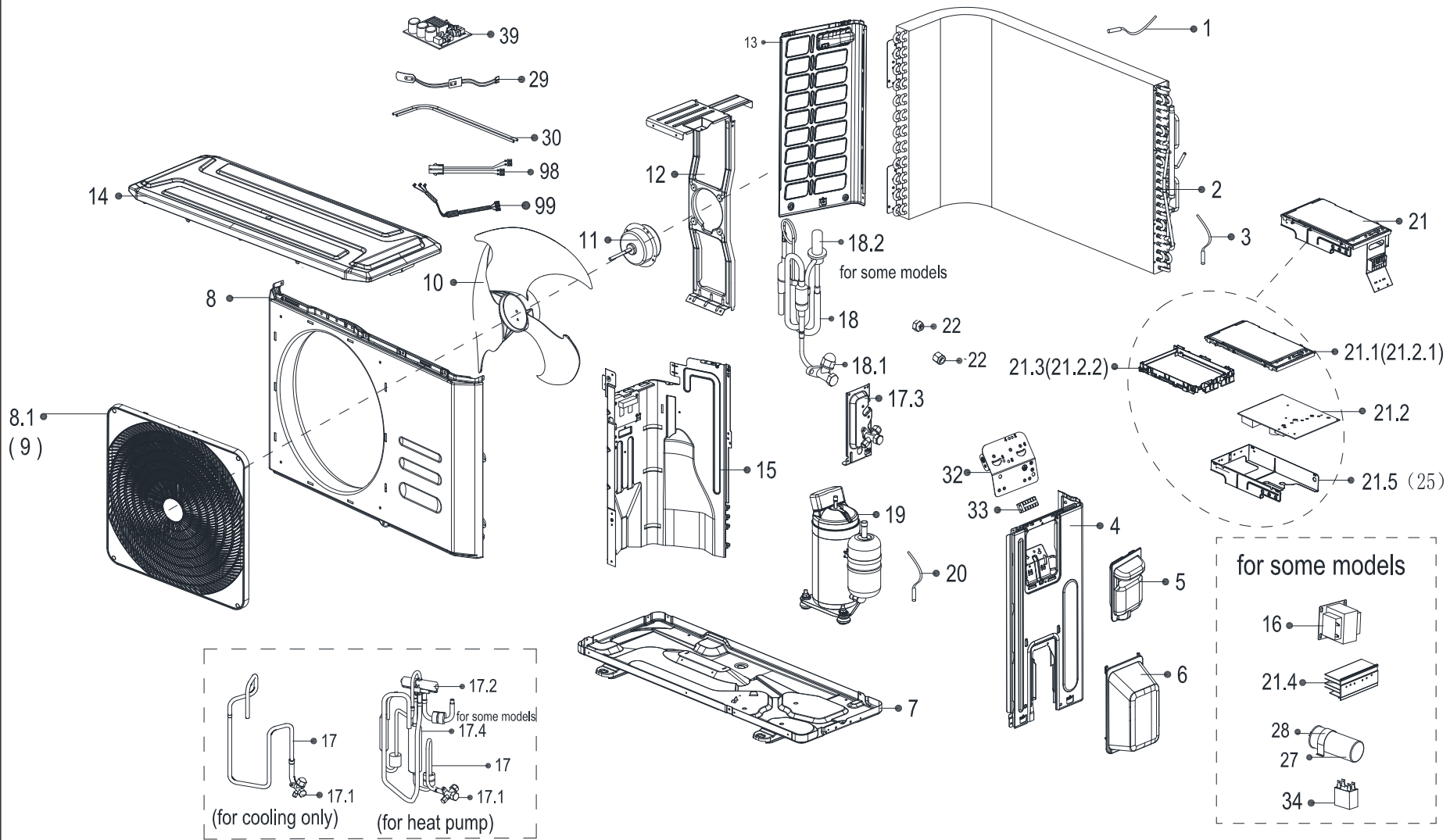


Optional function parts



Exploded View

Product code :
Customer model :

22022016012159
KWX-18HRBO

EX_ID	Spare Parts Code	Part Name(EN)	Qty.	Min Shipments	Remark2	Part Status	Remarks	Long Term Material(Y or N)	High Rate of Replacement(Y or N)
1	11201007002321	Room temperature sensor	1	10		In use			Y
2	15822000008261	Condenser assembly	1			In use			
3	11201007002320	Pipe temperature sensor	1	10		In use			Y
4	12222000004186	Right side plate	1			In use			
5	12100701000015	Big handle assembly	1			In use			
6	12122000007150	Water collector	1			In use			
7	12222000000711	Chassis assembly	1			In use			
8	12222000A02014	Front panel assembly	1			In use			
9	12122000025363	Air outlet grille	1			In use			
10	12100105000051	Axial flow fan	1	0		In use		N	Y
11	11002015008264	Brushless DC Motor	1			In use			Y
12	12222200002154	Supporter subassembly of fan motor	1			In use			
13	12222000008484	Left side plate assembly of cabinet	1			In use			
14	12222000002451	Top cover assembly	1			In use			
15	12222000002230	Partition board	1			In use			
17	15422000013773	4-way valve assembly	1			In use			
17.1	15500204000058	Gas valve	1			In use			
17.2	15500216000026	4-way Valve	1	0		In use		N	Y
17.3	12222000002571	Valve plate	1			In use			
17.4	15500508000046	Muffler subassembly	1			In use			
18	15422000010572	Liquid valve Assembly	1			In use			
18.1	15500208000028	Liquid valve	1			In use			N
19	11103020003919	DC Inverter Rotary Compressor	1			In use			
20	11201007000005	Discharge temperature sensor	1	10		In use		N	Y

21	17222000026149	Electronic control box subassembly	1			In use			
21.2	17122000040112	Outdoor main control board subassembly	1			In use			Y
21.2.1	12222000001455	Cover of electronic control box	1			In use			
21.2.2	12122000006913	Support of electronic control box	1			In use			
21.5	12222000008644	Electric Installing Box Subassembly	1			In use			
22	15500406000012	Copper nut	1	0	A01=6.35mm(1/4in);B02=9.52mm(3/8in);C03=12.7mm(1/2in);D04=15.9mm(5/8in);E05=19mm(3/4in);F07=22mm(7/8in);	In use		N	N
22	15500406000016	Copper nut	1	0	A01=6.35mm(1/4in);B02=9.52mm(3/8in);C03=12.7mm(1/2in);D04=15.9mm(5/8in);E05=19mm(3/4in);F07=22mm(7/8in);	In use		N	N
32	12222000002259	Terminal board	1			In use			
33	17400401000016	Terminal	1			In use			
99	17401203012697	Compressor wire subassembly	1			In use			