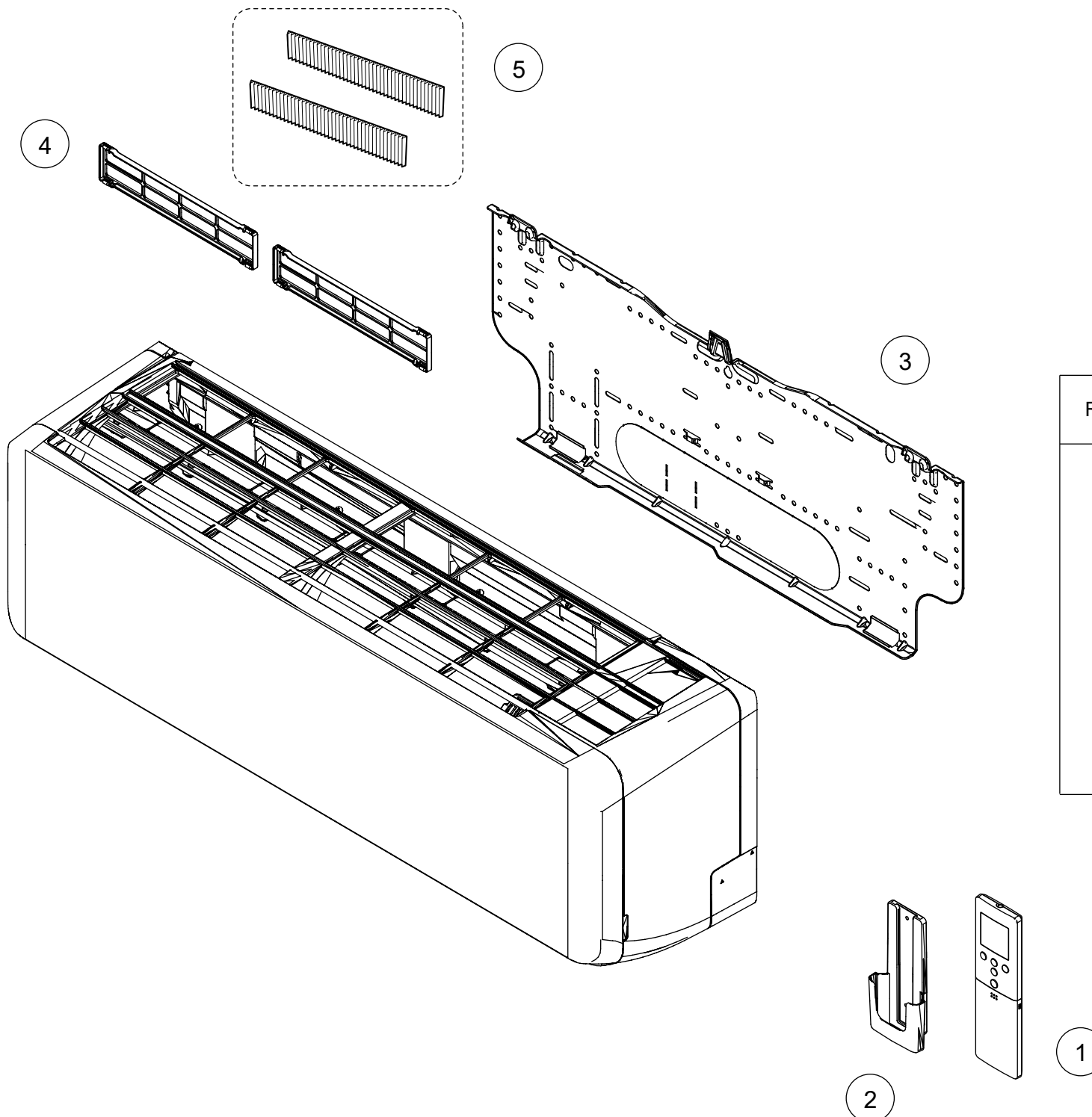


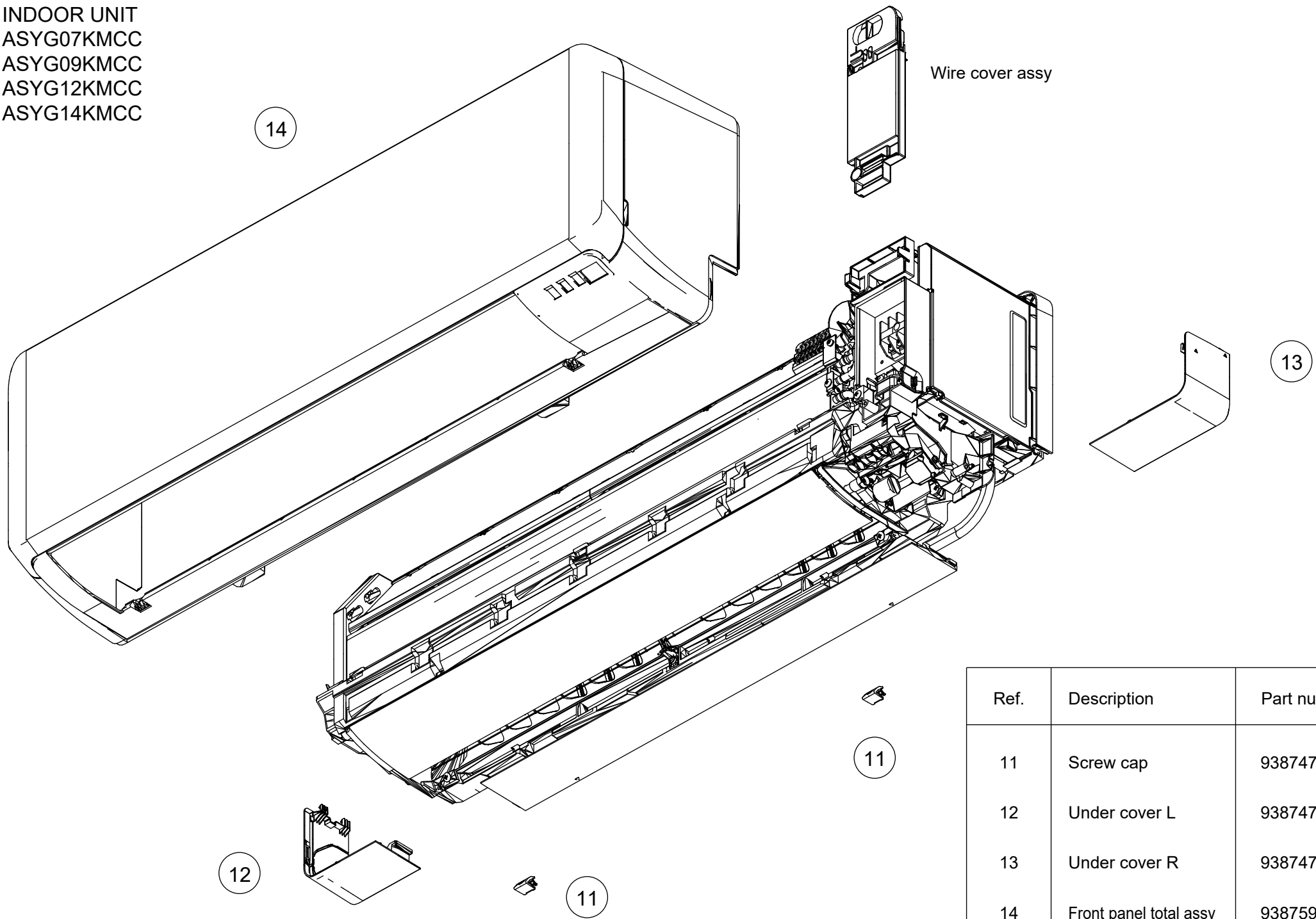
PARTS

INDOOR UNIT
 ASYG07KMCC
 ASYG09KMCC
 ASYG12KMCC
 ASYG14KMCC



Ref.	Description	Part number
1	Remote control (no brand)	9319208008
2	Remote control holder	9318912005
3	Bracket panel	9387480030
4	Electric filter holder	9332911008
5	Air clean filter assy	9317250009

INDOOR UNIT
 ASYG07KMCC
 ASYG09KMCC
 ASYG12KMCC
 ASYG14KMCC

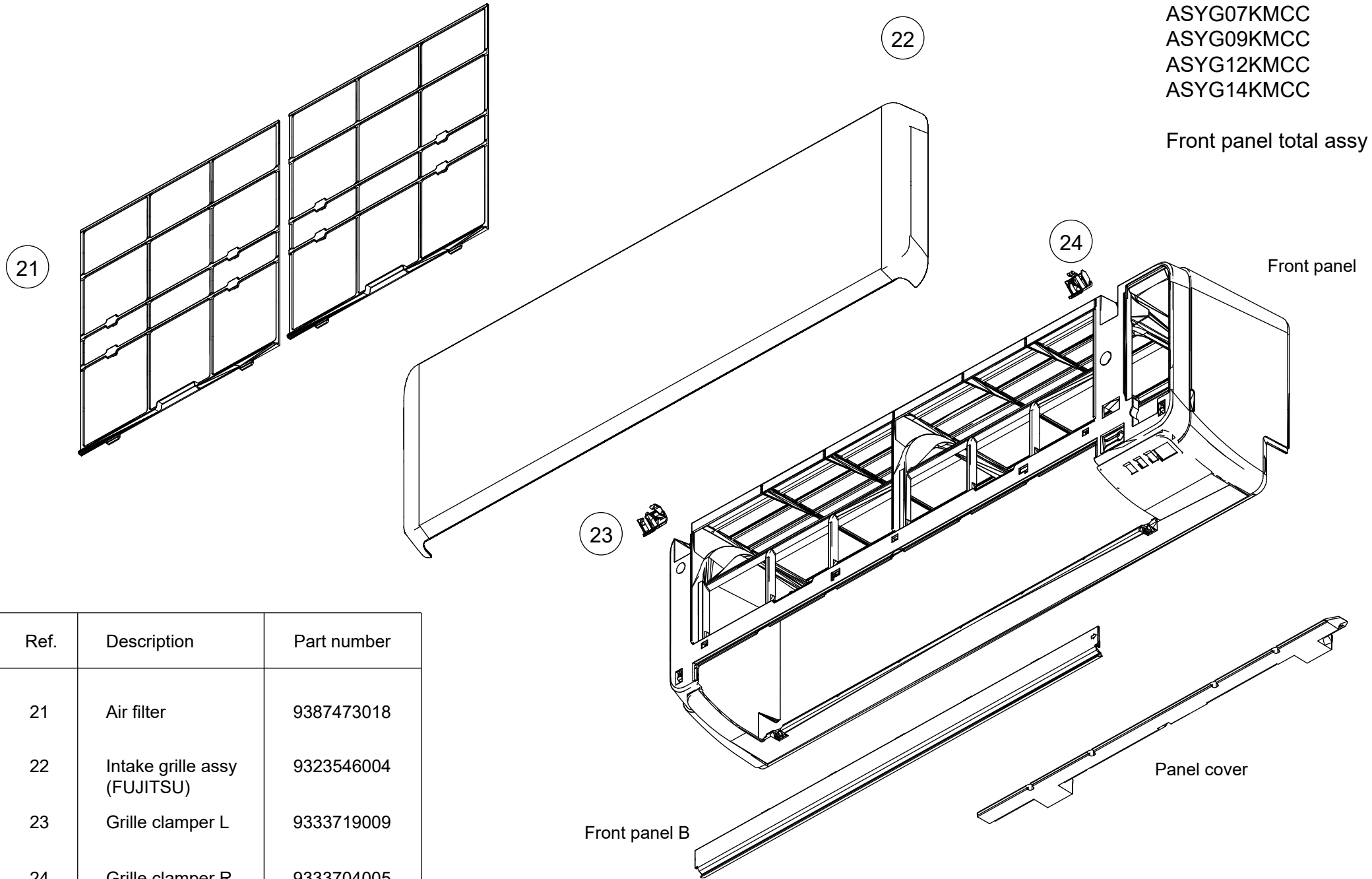


Wire cover assy

Ref.	Description	Part number
11	Screw cap	9387476002
12	Under cover L	9387477009
13	Under cover R	9387478006
14	Front panel total assy	9387596410

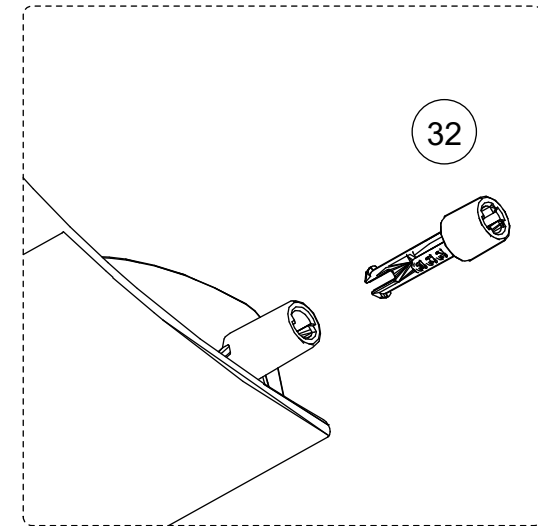
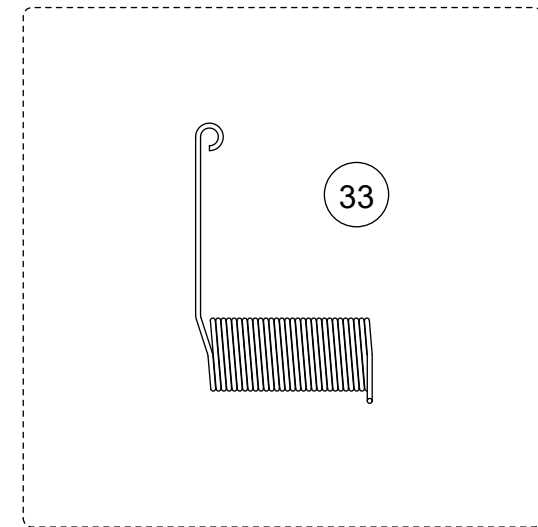
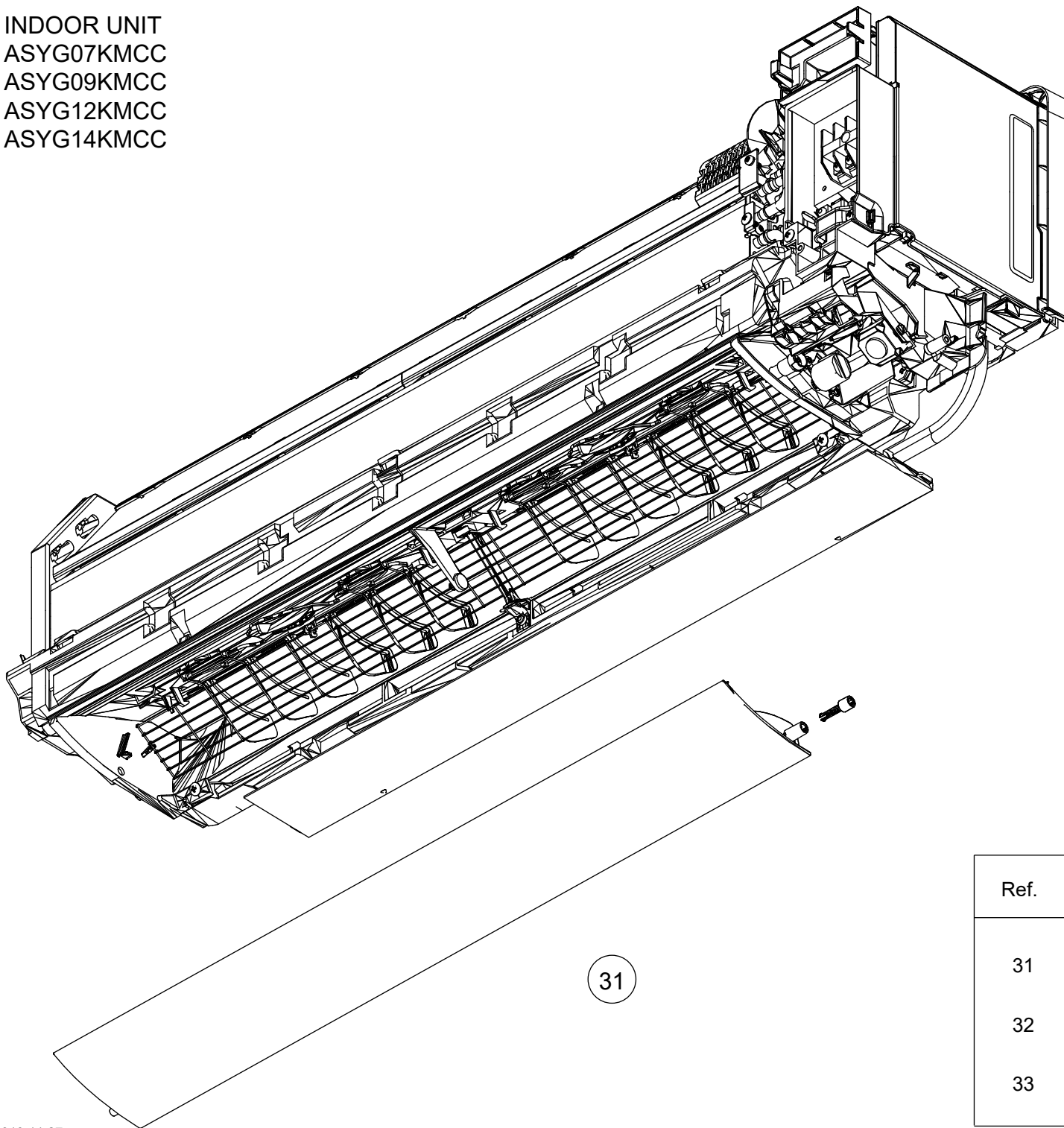
INDOOR UNIT
 ASYG07KMCC
 ASYG09KMCC
 ASYG12KMCC
 ASYG14KMCC

Front panel total assy



Ref.	Description	Part number
21	Air filter	9387473018
22	Intake grille assy (FUJITSU)	9323546004
23	Grille clamber L	9333719009
24	Grille clamber R	9333704005

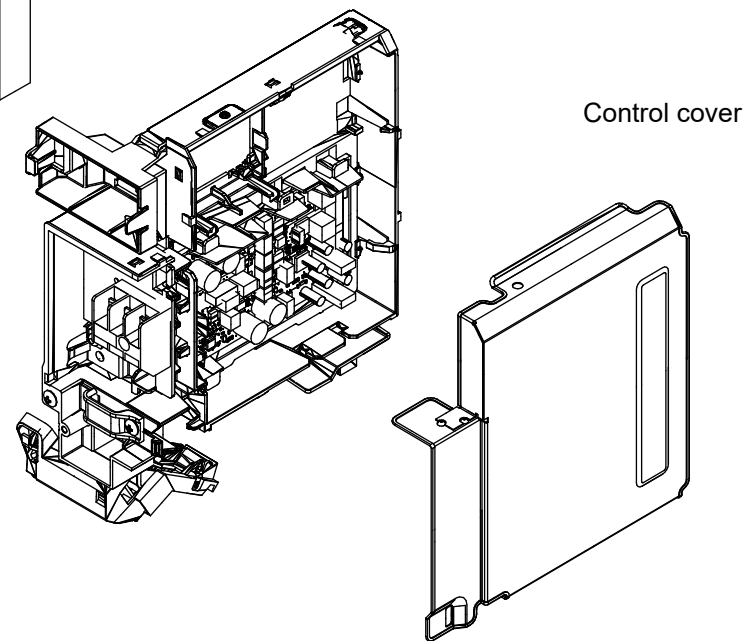
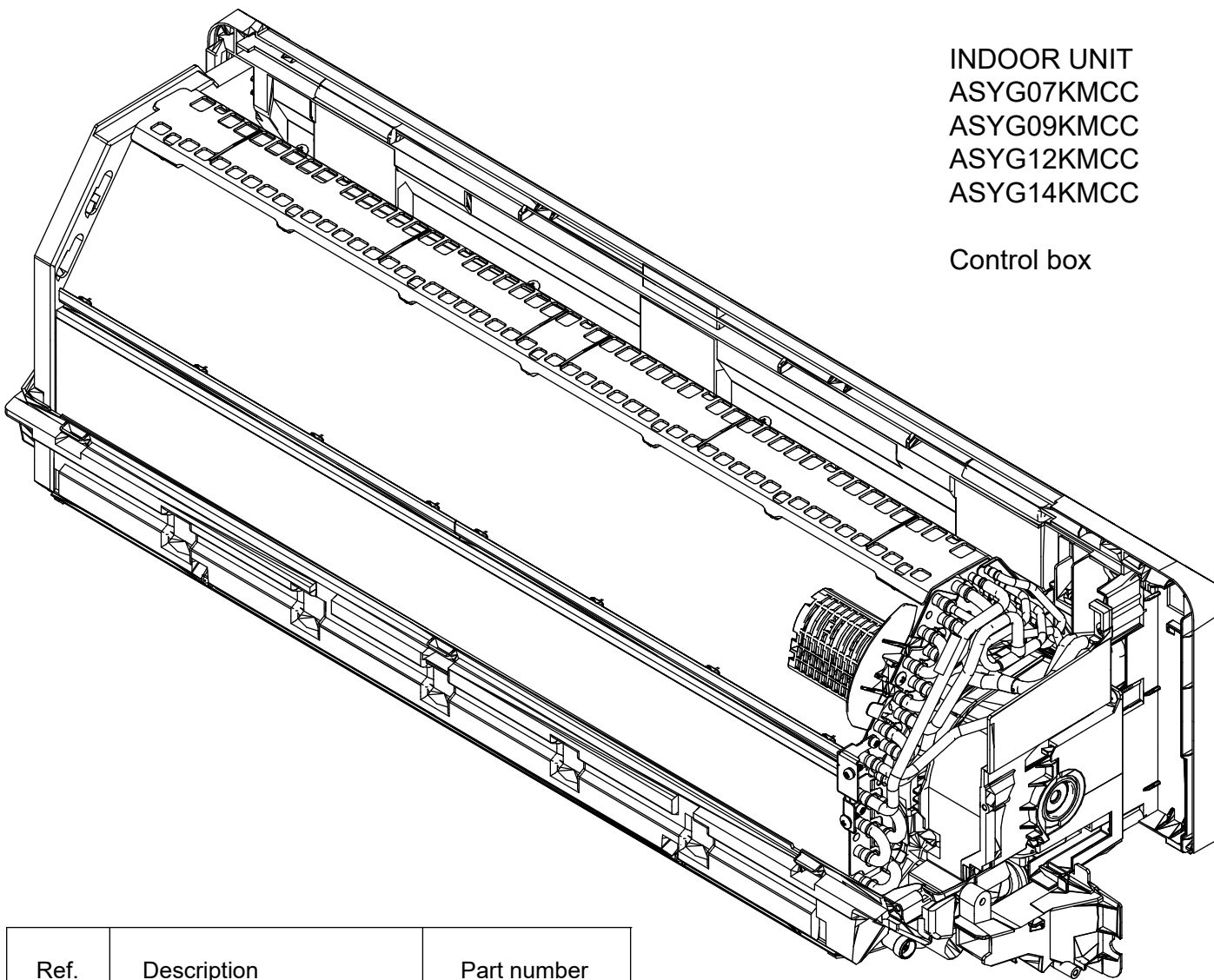
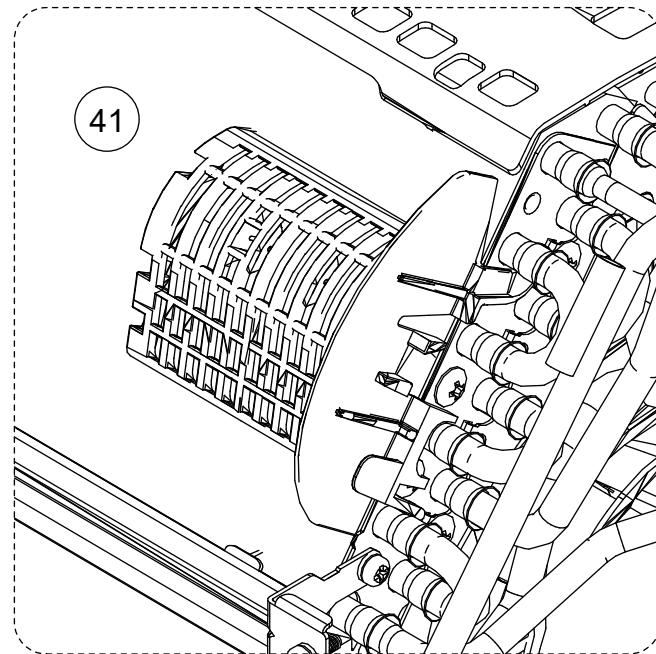
INDOOR UNIT
 ASYG07KMCC
 ASYG09KMCC
 ASYG12KMCC
 ASYG14KMCC



Ref.	Description	Part number
31	U/D louver assy	9387479041
32	Shaft cover	9332861006
33	Louver spring P	9333951003

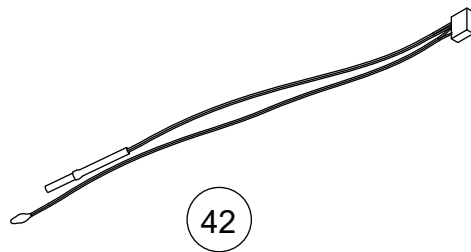
INDOOR UNIT
 ASYG07KMCC
 ASYG09KMCC
 ASYG12KMCC
 ASYG14KMCC

Control box



Control cover

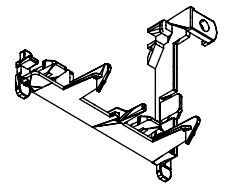
Ref.	Description	Part number
41	Room thermistor holder	9387467017
42	Thermistor assy	9900627027



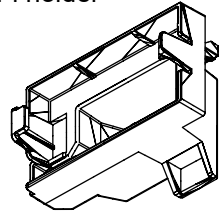
INDOOR UNIT
 ASYG07KMCC
 ASYG09KMCC
 ASYG12KMCC
 ASYG14KMCC

Control box

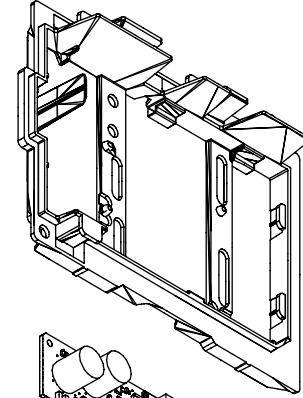
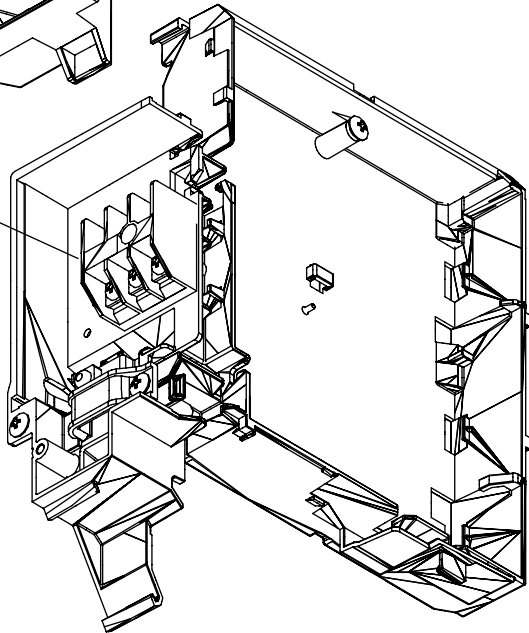
Wi-Fi holder



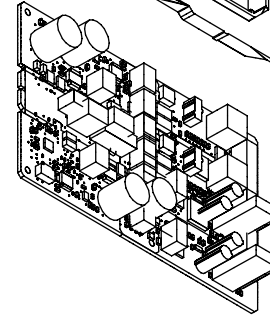
PWB holder A



52



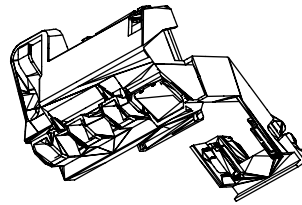
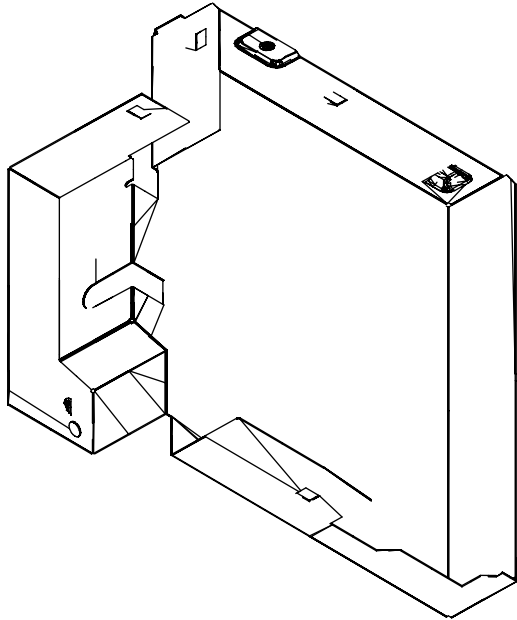
PWB holder B



51

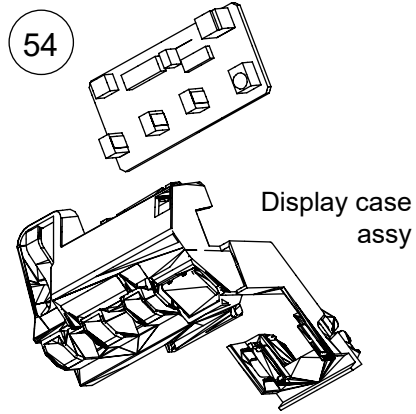
Control box

Box shield



53

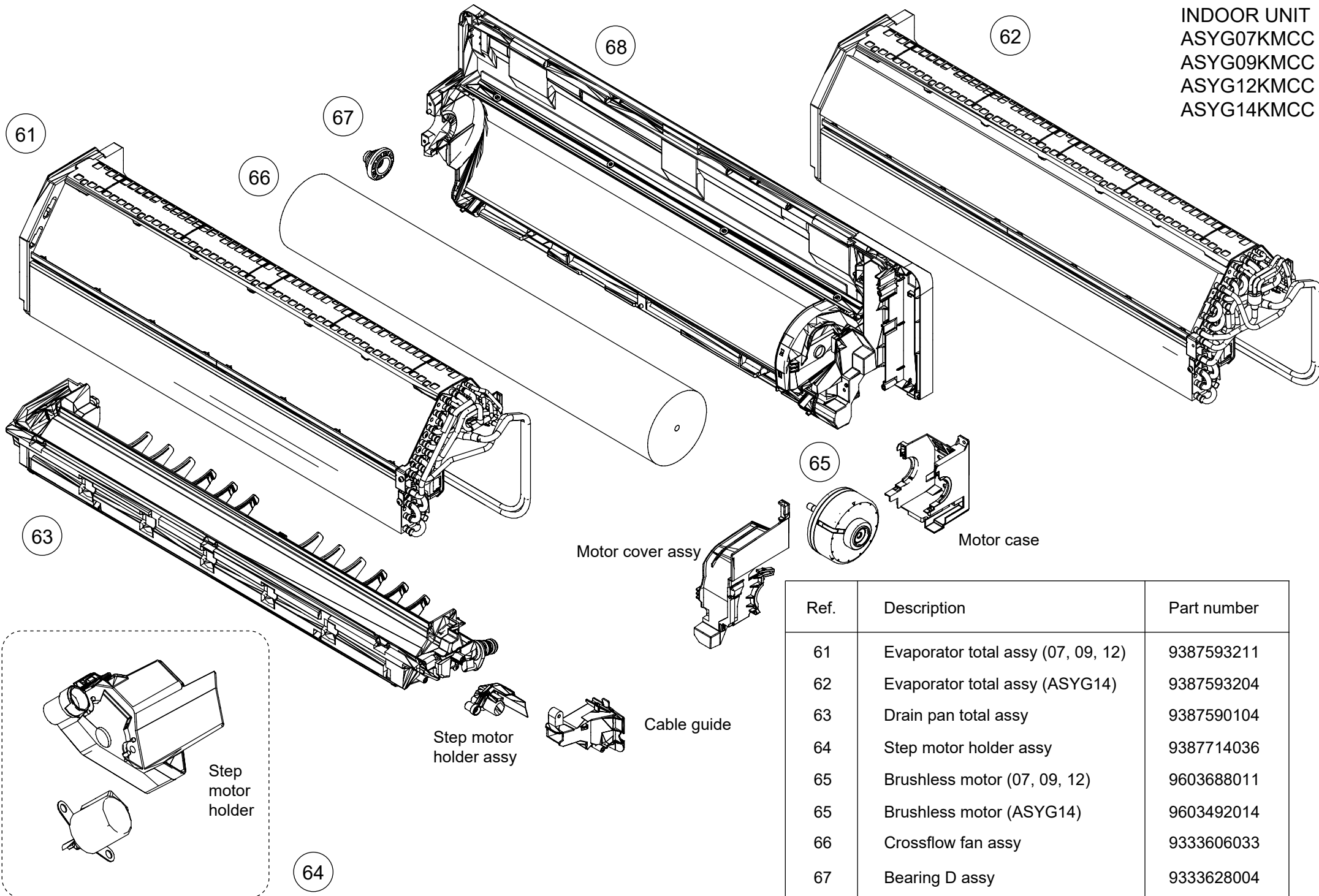
54



Display case
 assy

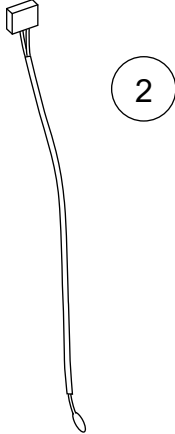
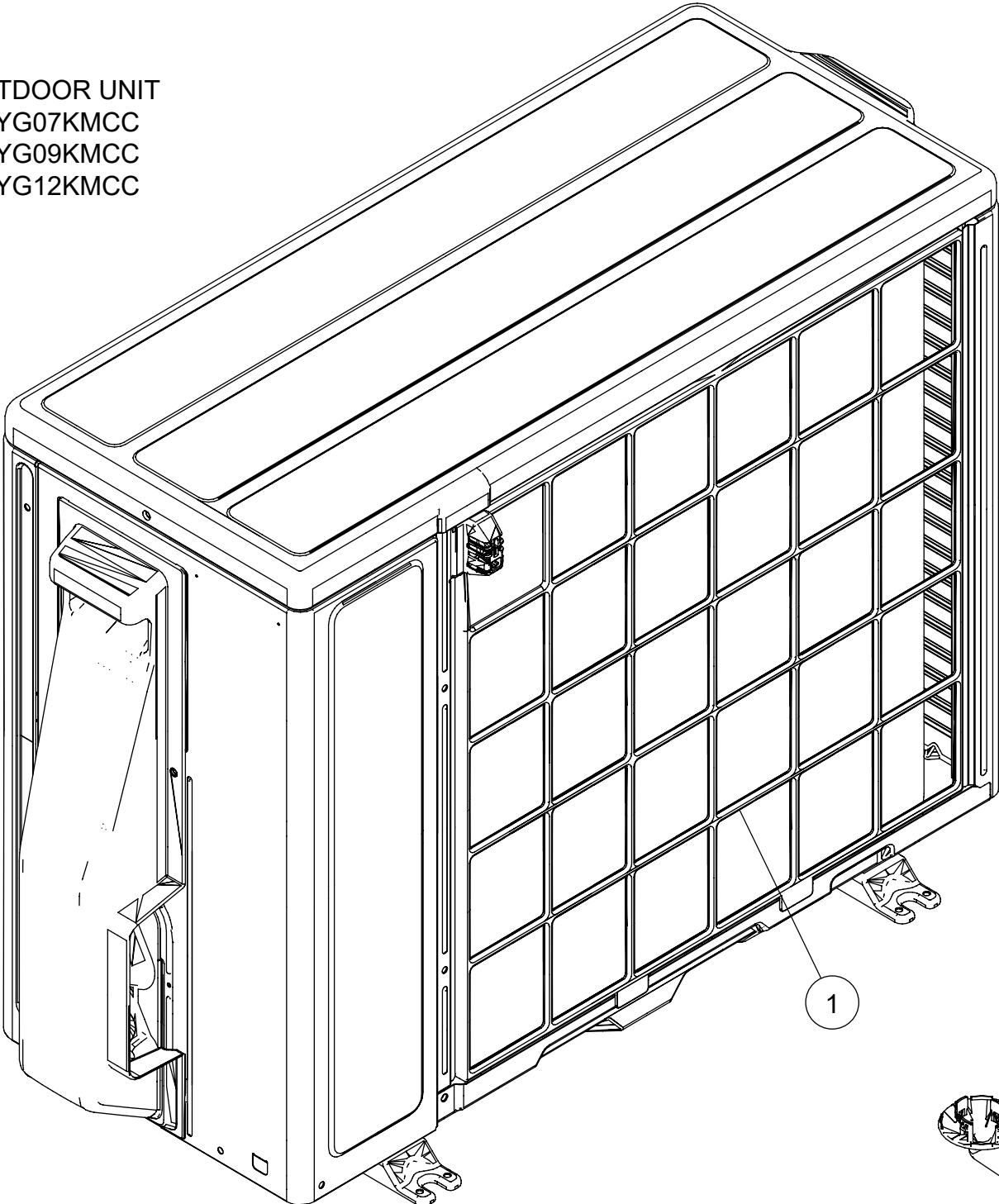
Ref.	Description	Part number
51	Main PCB (ASYG07)	9710368370
51	Main PCB (ASYG09)	9710368387
51	Main PCB (ASYG12)	9710368394
51	Main PCB (ASYG14)	9710368400
52	Terminal	9901013027
53	Display assy	9711146069
54	Indicator PCB	9711147042

INDOOR UNIT
 ASYG07KMCC
 ASYG09KMCC
 ASYG12KMCC
 ASYG14KMCC

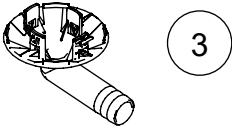


Ref.	Description	Part number
61	Evaporator total assy (07, 09, 12)	9387593211
62	Evaporator total assy (ASYG14)	9387593204
63	Drain pan total assy	9387590104
64	Step motor holder assy	9387714036
65	Brushless motor (07, 09, 12)	9603688011
65	Brushless motor (ASYG14)	9603492014
66	Crossflow fan assy	9333606033
67	Bearing D assy	9333628004
68	Base assy	9387587074

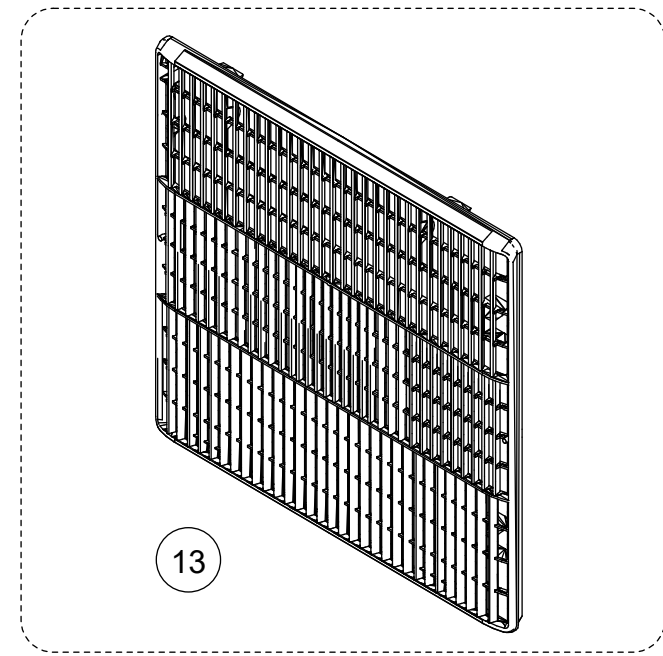
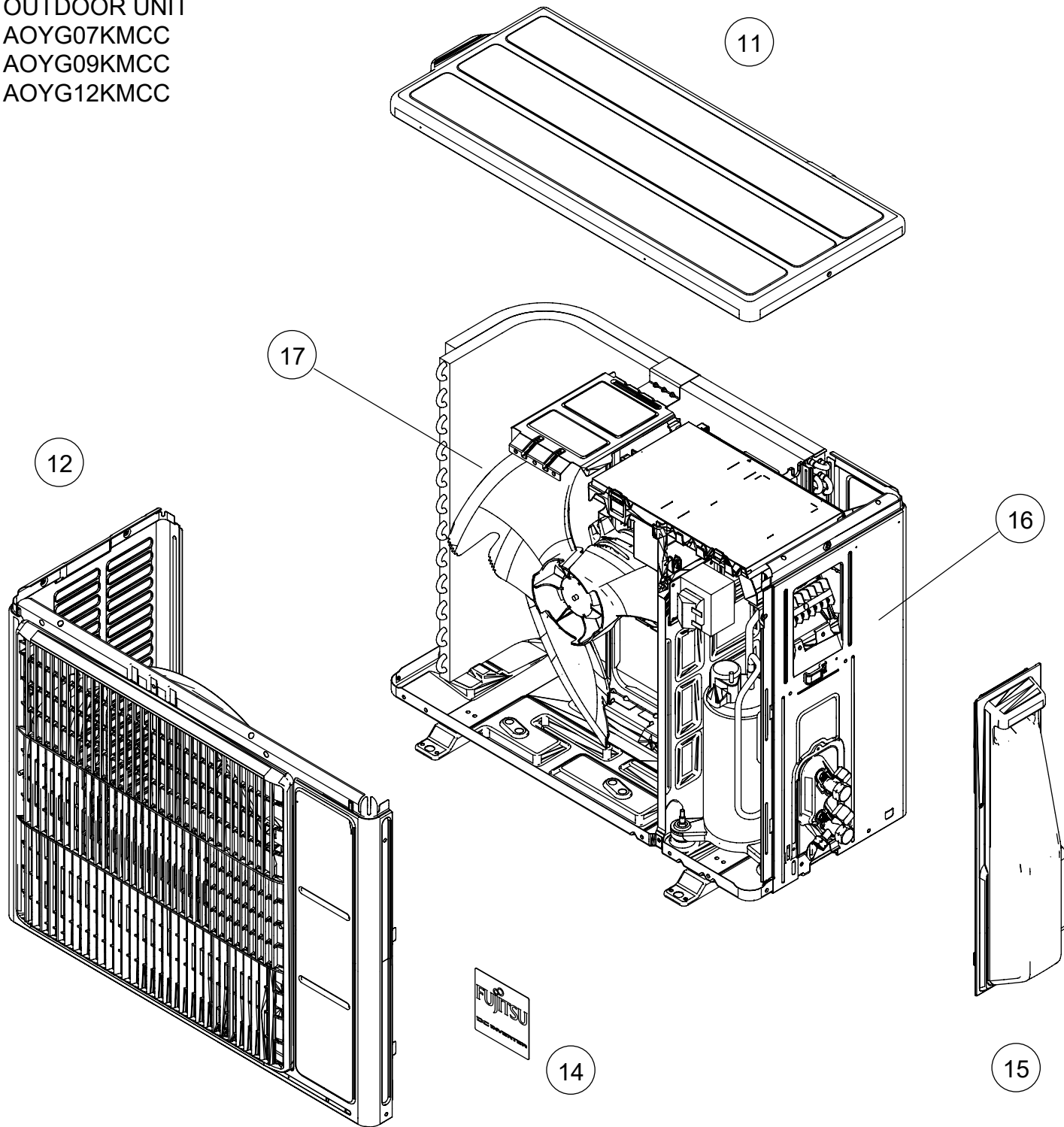
OUTDOOR UNIT
 AOYG07KMCC
 AOYG09KMCC
 AOYG12KMCC



Ref.	Description	Part number
1	Protective net assy	9322811059
2	Outdoor thermistor	9900565053
3	Drain pipe	9322144003

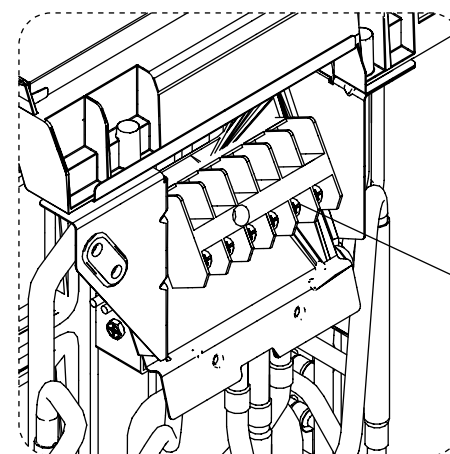
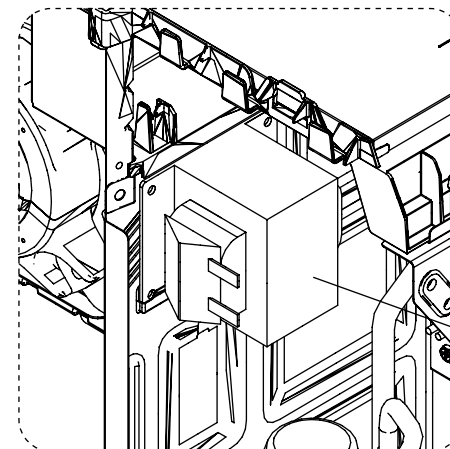
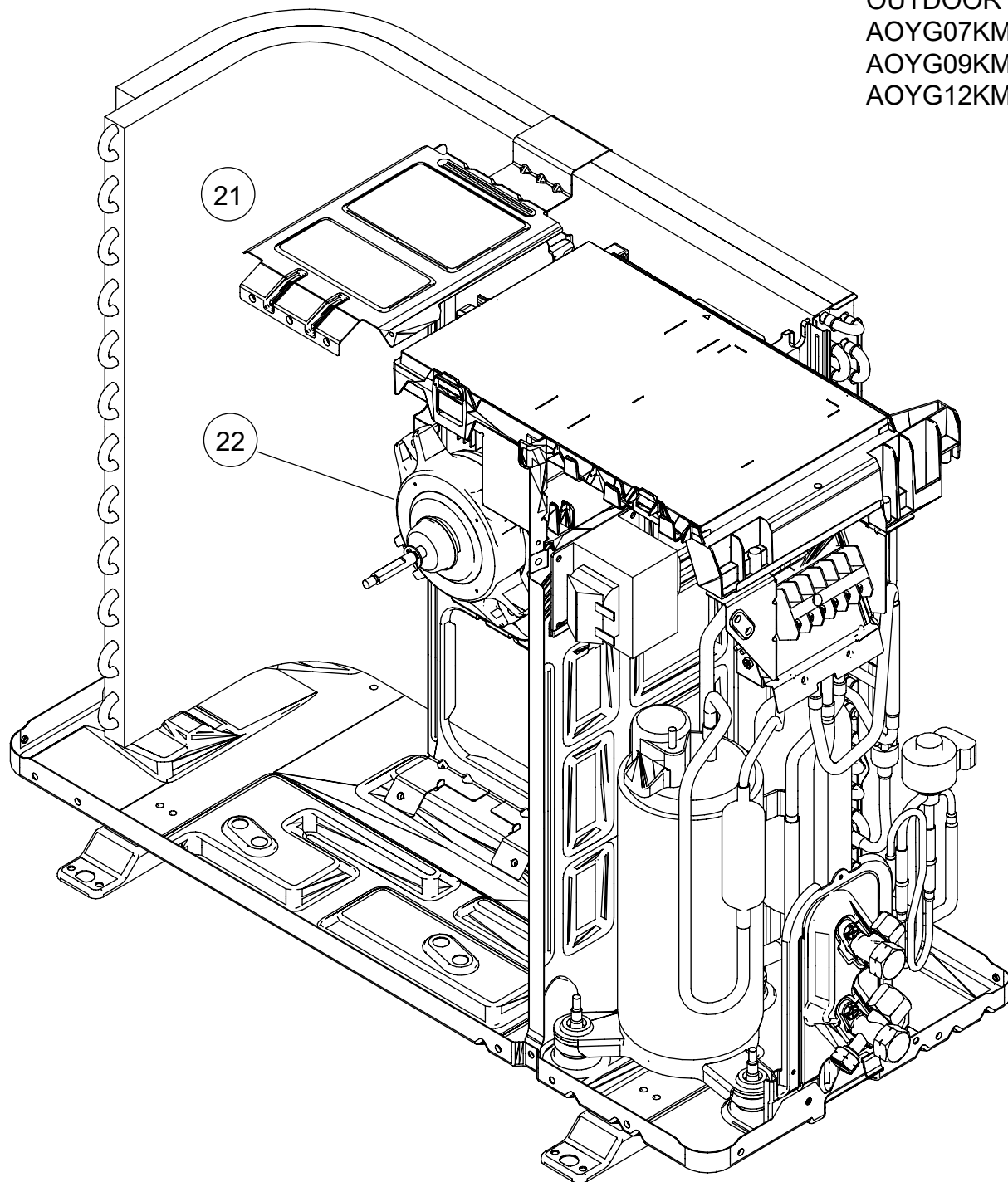


OUTDOOR UNIT
 AOYG07KMCC
 AOYG09KMCC
 AOYG12KMCC



Ref.	Description	Part number
11	Top panel assy	9322556103
12	Front panel assy	9322555106
13	Blow grille	9322135001
14	Emblem	9387859003
15	Switch cover assy	9322570000
16	Cabinet right assy	9322552112
17	Propeller Fan	9322136008

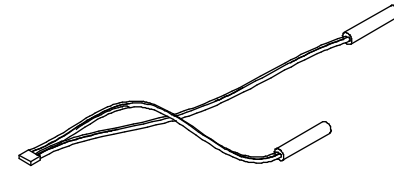
OUTDOOR UNIT
 AOYG07KMCC
 AOYG09KMCC
 AOYG12KMCC



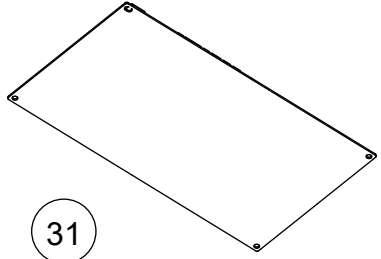
Ref.	Description	Part number
21	Motor bracket assy (07, 09)	9322553089
21	Motor bracket assy (AOYG12)	9322553096
22	Brushless motor	9603553005
23	Reactor assy	9901012013
24	Terminal	9900721107

OUTDOOR UNIT
 AOYG07KMCC
 AOYG09KMCC
 AOYG12KMCC

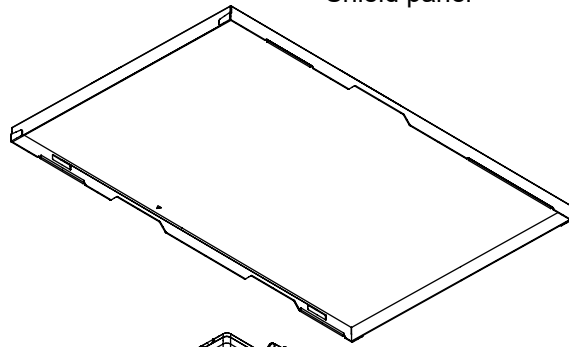
Shield panel



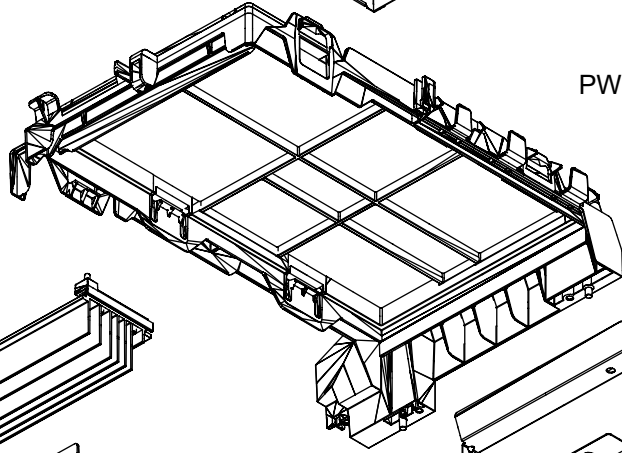
33



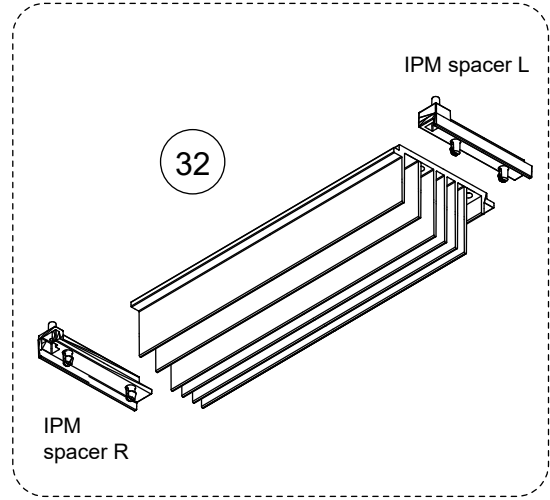
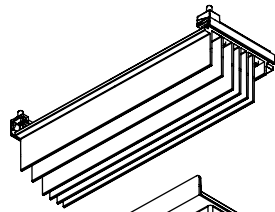
31



PWB Holder



Auxiliary plate

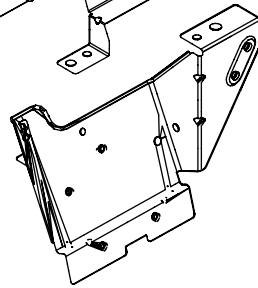


32

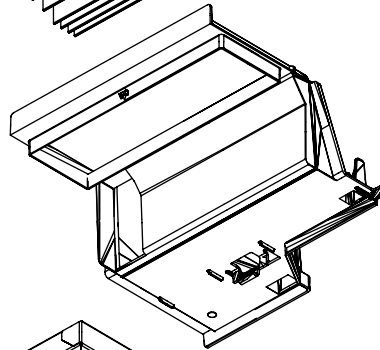
IPM spacer L

IPM spacer R

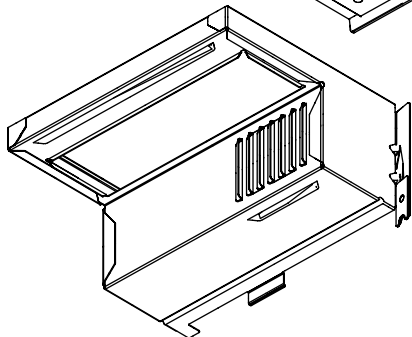
Terminal bracket assy



Heatsink cover



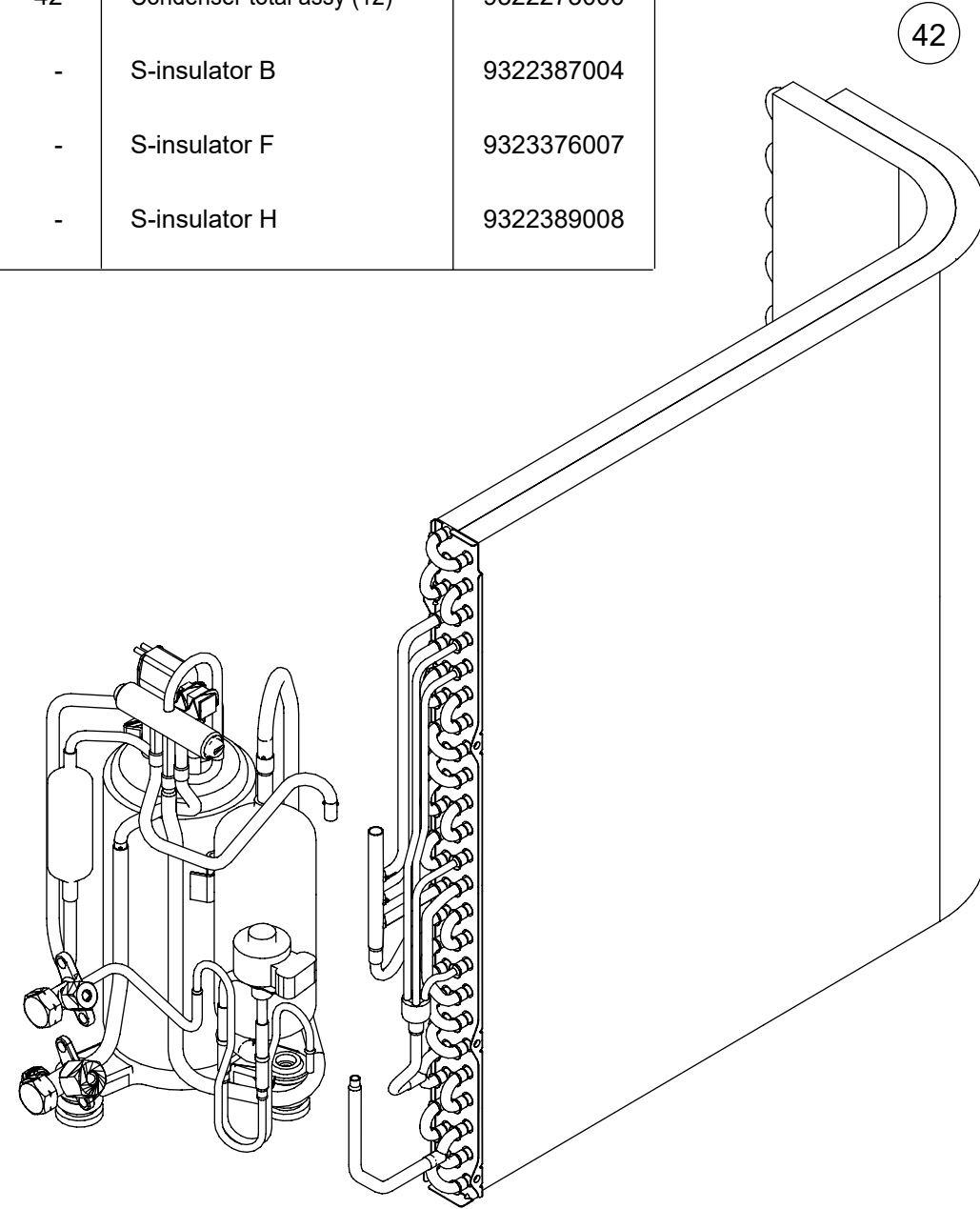
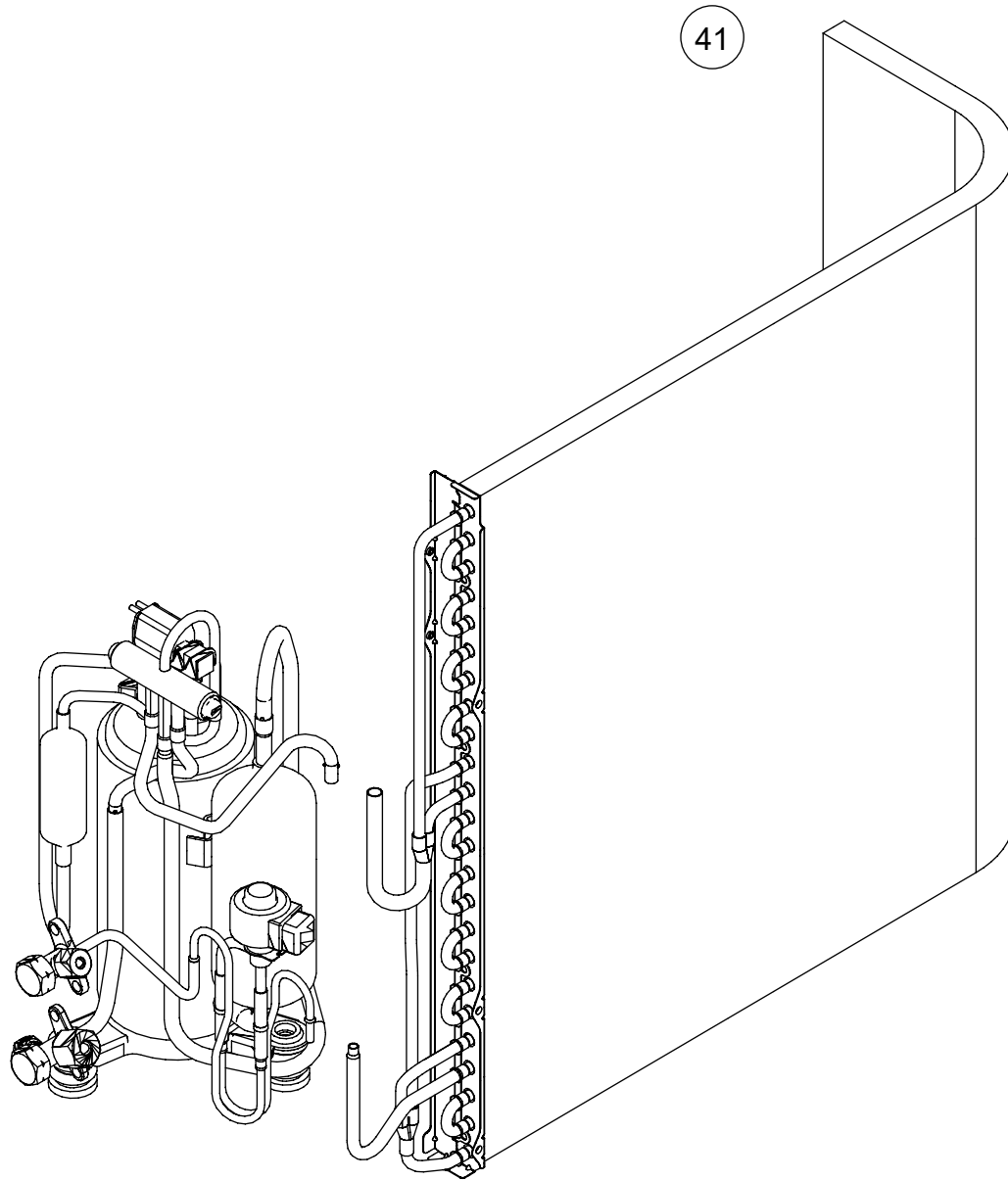
Inverter case assy



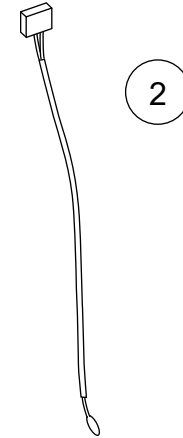
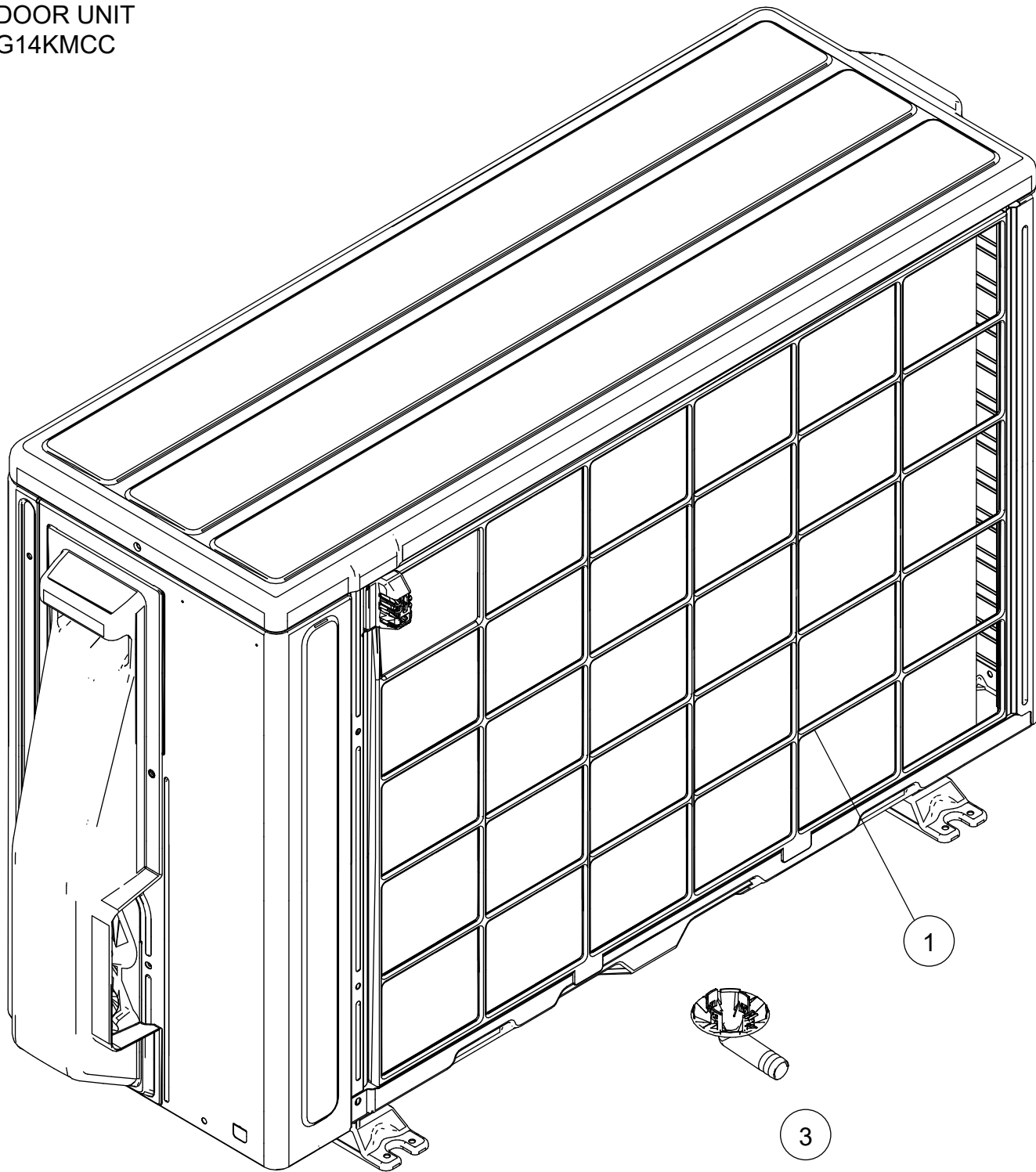
Ref.	Description	Part number
31	Main PCB (07) with terminal (Ref.24)	9711221049
31	Main PCB (09) with terminal (Ref.24)	9711221056
31	Main PCB (12) with terminal (Ref.24)	9711221063
32	Heatsink	9333787008
33	Thermistor assy	9900727062

OUTDOOR UNIT
 AOYG07KMCC
 AOYG09KMCC
 AOYG12KMCC

Ref.	Description	Part number
41	Condenser total assy (07, 09)	9322272003
42	Condenser total assy (12)	9322273000
-	S-insulator B	9322387004
-	S-insulator F	9323376007
-	S-insulator H	9322389008

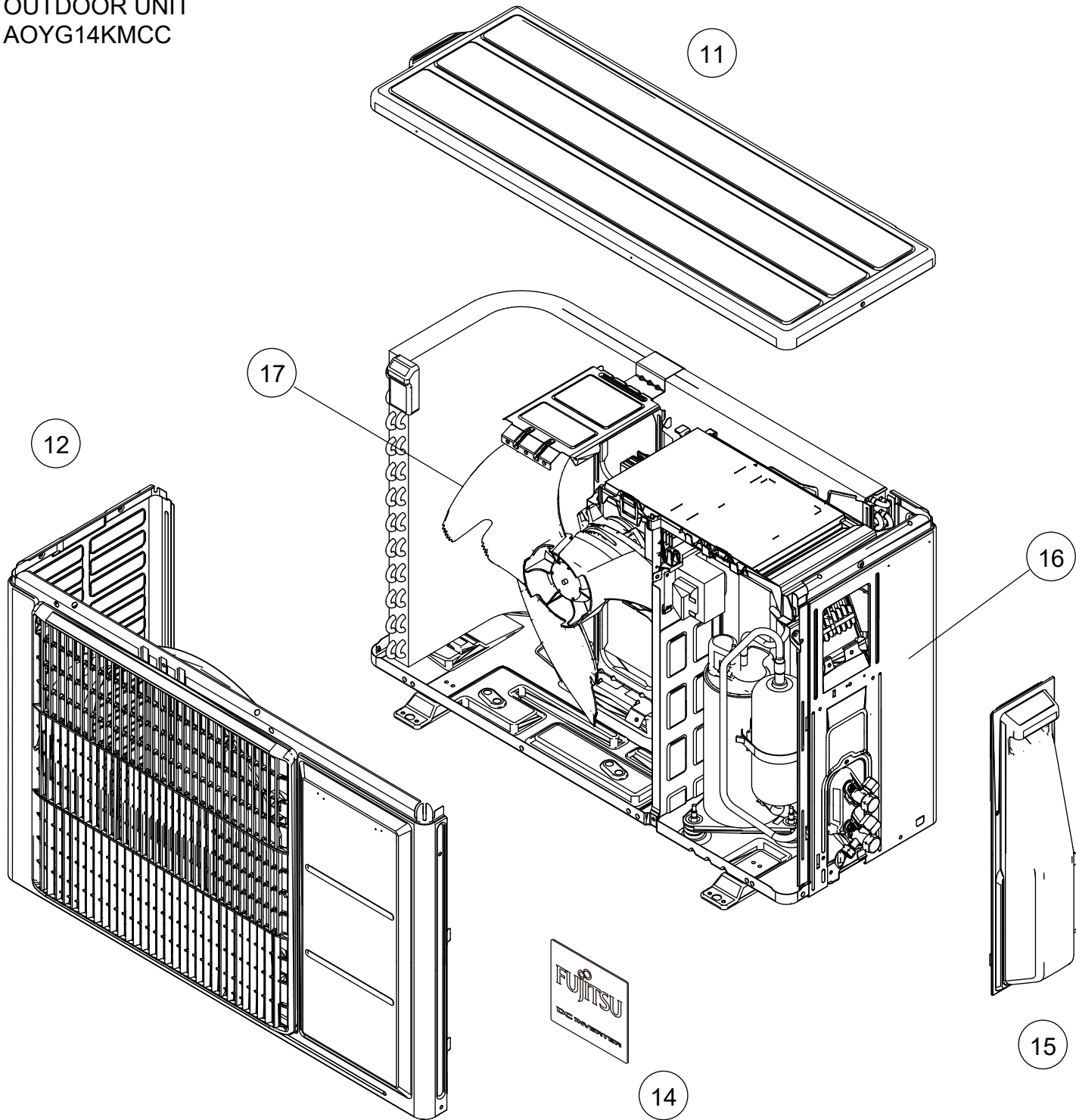


OUTDOOR UNIT
AOYG14KMCC

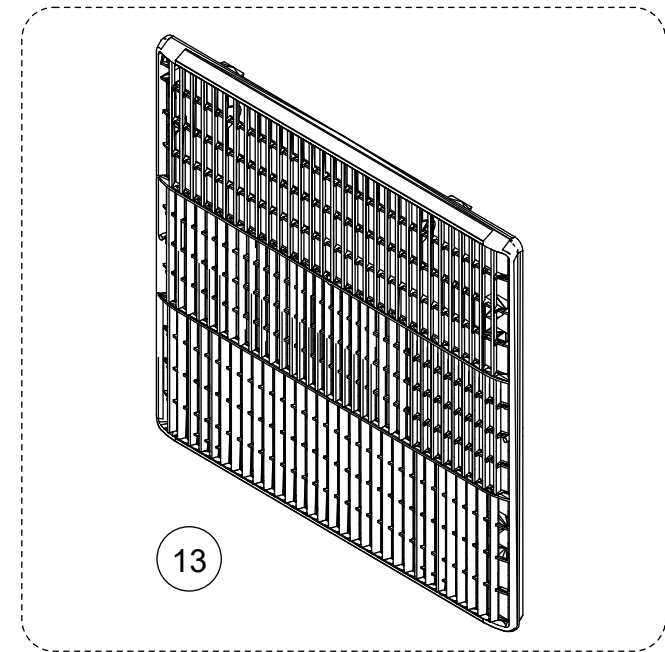


Ref.	Description	Part number
1	Protective net assy	9322811011
2	Outdoor thermistor	9900850012
3	Drain pipe	9322144003

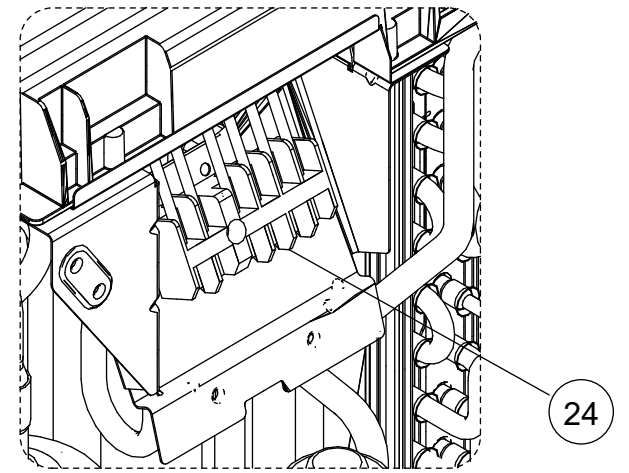
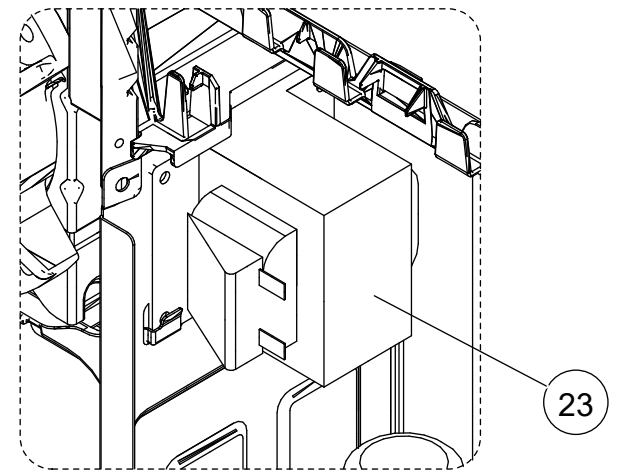
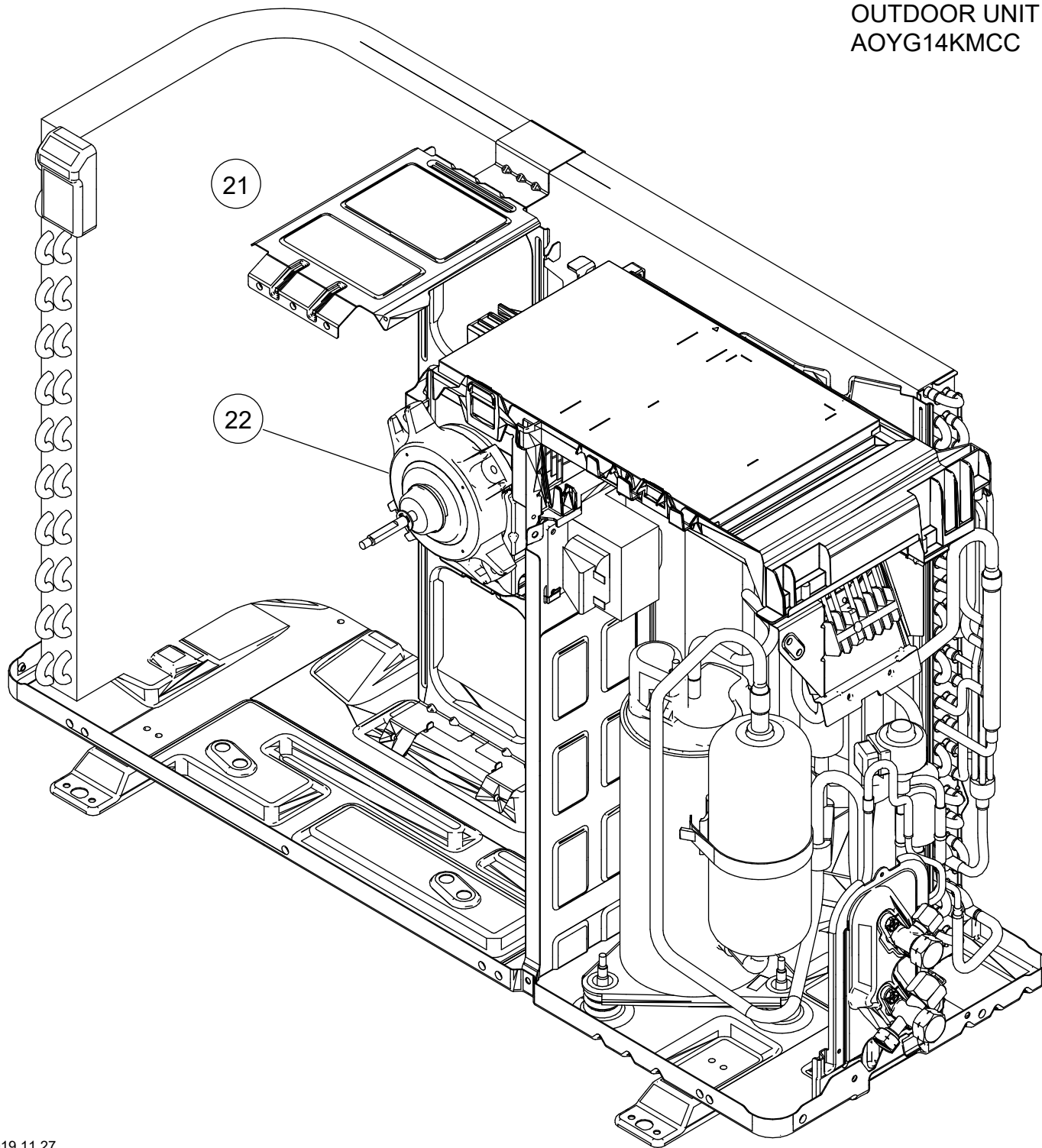
OUTDOOR UNIT
AOYG14KMCC



Ref.	Description	Part number
11	Top panel assy	9322556028
12	Front panel assy	9322555014
13	Blow grille	9322135001
14	Emblem	9319151007
15	Switch cover assy	9322570000
16	Cabinet right assy	9322552020
17	Propeller fan	9322136008

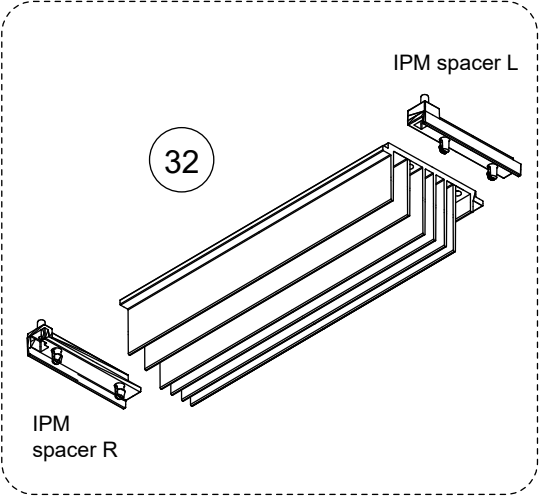
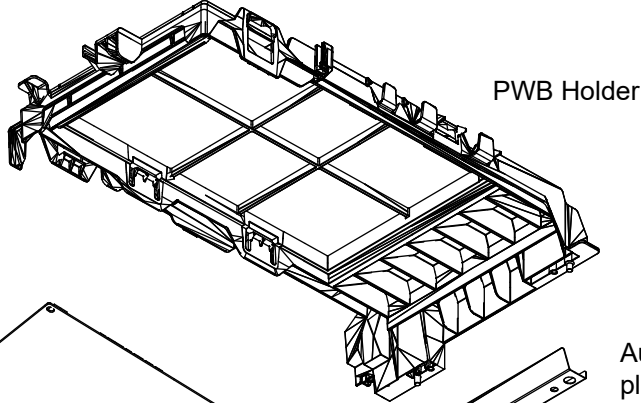
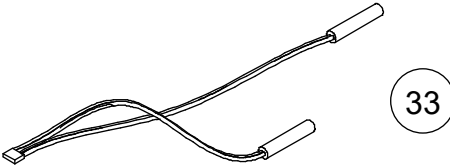
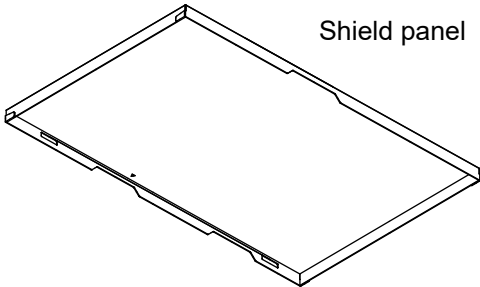


OUTDOOR UNIT
AOYG14KMCC

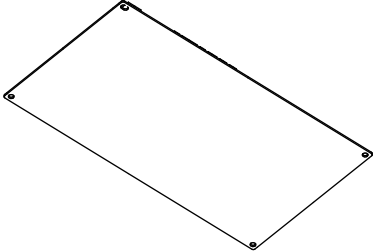


Ref.	Description	Part number
21	Motor bracket assy	9322553010
22	Brushless motor	9603553005
23	Reactor assy	9900583019
24	Terminal	9900721107

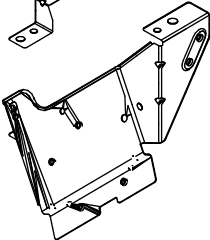
OUTDOOR UNIT
AOYG14KMCC



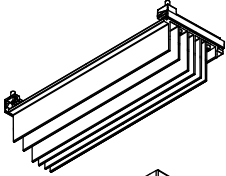
31



Auxiliary plate



Terminal bracket assy



Ref.	Description	Part number
31	Main PCB with terminal (Ref.24)	9711221070
32	Heatsink	9322419002
33	Thermistor assy	9900727062