

INDOOR UNIT PARTS LIST

CONTENTS

INDOOR UNIT PARTS LIST

1. Precautions.....	01-1
2. Models: ARXD004HLAH, ARXD005HLAH, ARXD007HLAH, ARX*009HLAH, ARX*012HLAH, and ARX*014HLAH.....	01-2
2-1. Chassis and evaporator.....	01-2
2-2. Control unit.....	01-4
3. Model: ARXD018HLAH.....	01-6
3-1. Chassis and evaporator.....	01-6
3-2. Control unit.....	01-8
4. Model: ARXD024HLAH.....	01-10
4-1. Chassis and evaporator.....	01-10
4-2. Control unit.....	01-12

1. Precautions

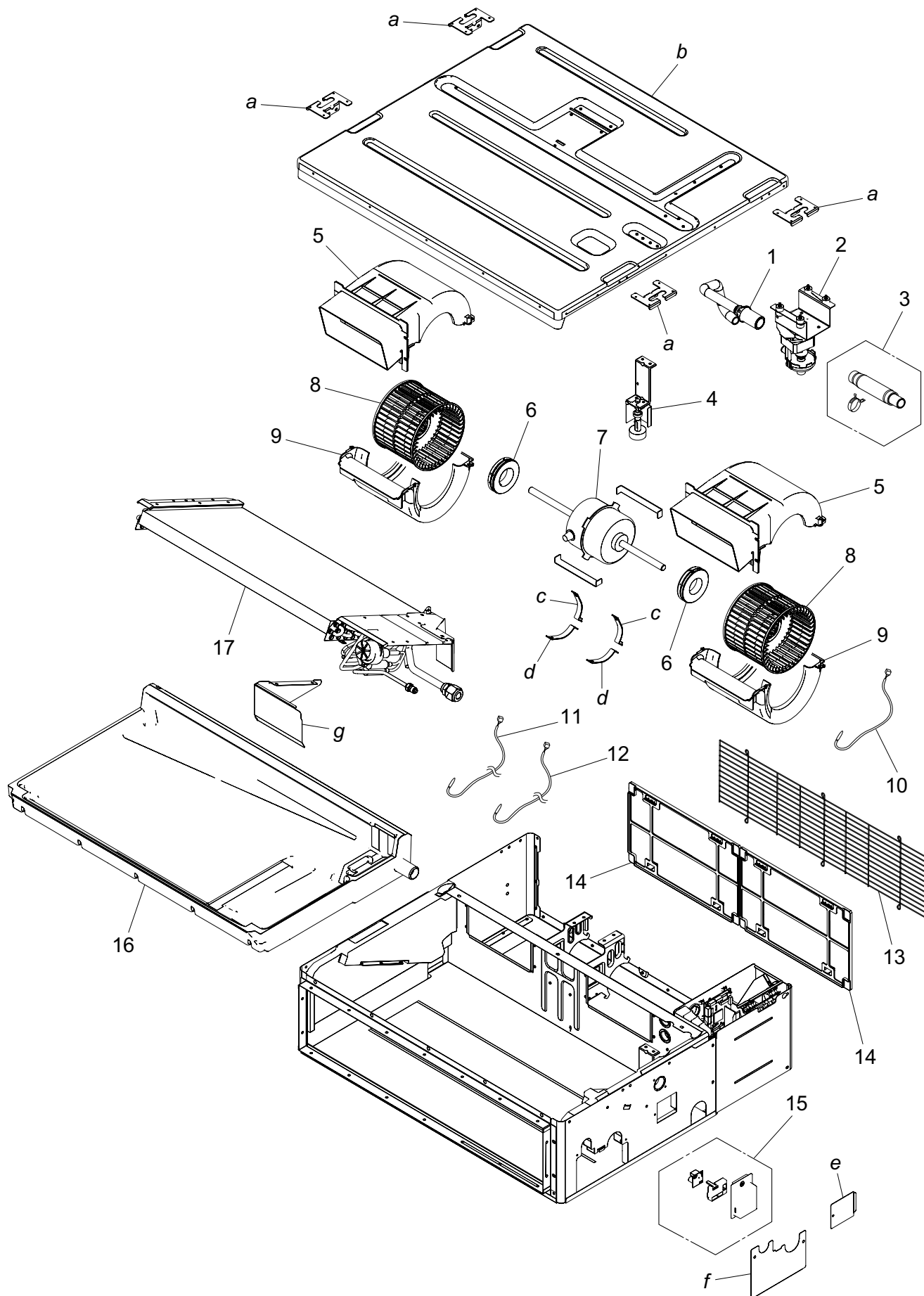
When you start servicing, pay attention to the following points. For detailed precautions, refer to the installation manual of the products.

⚠ CAUTION

- Service personnel
 - Any person who is involved with working on or breaking into a refrigerant circuit should hold a current valid certificate from an industry-accredited assessment authority, which authorizes their competence to handle refrigerants safely in accordance with an industry recognized assessment specification.
 - Servicing shall only be performed as recommended by the equipment manufacturer. Maintenance and repair requiring the assistance of other skilled personnel shall be carried out under the supervision of the person competent in the use of flammable refrigerants.
 - Servicing shall be performed only as recommended by the manufacturer.
 - Work
 - Prior to beginning work on systems containing flammable refrigerants, safety checks are necessary to ensure that the risk of ignition is minimized. When repairing the refrigerant system, refer to the precautions written in the installation manual of the products before you start servicing.
 - Work shall be undertaken under a controlled procedure so as to minimize the risk of a flammable gas or vapor being present while the work is being performed.
 - All maintenance staff and others working in the local area shall be instructed on the nature of work being carried out.
 - Work in confined spaces shall be avoided.
 - The area around the workspace shall be sectioned off.
 - Ensure that the conditions within the area have been made safe by control of flammable material.
 - Electric shock may occur. After turning off the power, always wait 5 minutes before touching electrical components.
 - Do not touch the fins of the heat exchanger. Touching the heat exchanger fins could result in damage to the fins or personal injury such as skin rupture.
 - Do not place any other electrical products or household belongings under the product.
 - Condensation dripping from the product might get them wet, and may cause damage or malfunction to the property.
 - Checking for presence of refrigerant
 - The area shall be checked with an appropriate refrigerant leak detector prior to and during work, to ensure the technician is aware of potentially flammable atmospheres.
 - Ensure that the leak detector being used is suitable for use with flammable refrigerants, i.e. non-sparking, adequately sealed or intrinsically safe.
-
- Service parts information and design are subject to change without notice for product improvement.
 - For the latest information of the service parts, refer to our Service Portal.
<https://fujitsu-general.force.com/portal/>
 - Precise figure of the service parts listed in this manual may differ from the actual service parts.

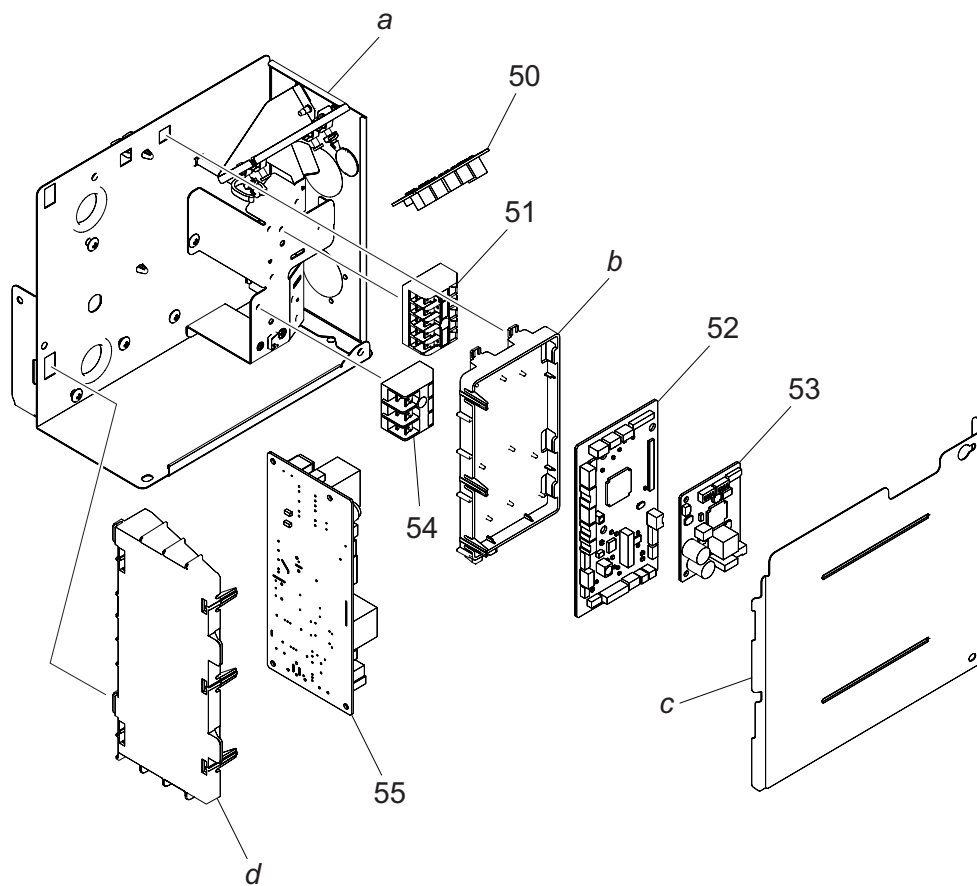
2. Models: ARXD004HLAH, ARXD005HLAH, ARXD007HLAH, ARX*009HLAH, ARX*012HLAH, and ARX*014HLAH

2-1. Chassis and evaporator



Item no.	Part no.	Part name	Service part
1	9379913003	Drain hose assy	◆
2	9379914055	Drain pump sub assy	◆
3	9378450097	Hose sub assy	◆
4	9378593022	Float switch sub assy	◆
5	9379571012	Casing (Upper)	◆
6	9379644006	Vibration proof rubber	◆
7	9604200007	DC fan motor (004, 005, 007, and 009 models)	◆
	9604029004	DC fan motor (012 model and 014 models)	◆
8	9379570015	Sirocco fan assy	◆
9	9379572019	Casing (Bottom)	◆
10	9900653019	Thermistor (Room temp.)	◆
11	9901213014	Thermistor (Pipe temp.) (L=840)	◆
12	9900509088	Thermistor (Pipe temp.) (L=910)	◆
13	9380589006	Fan guard	◆
14	9379574006	Air filter	◆
15	9360974006	Gas sensor sub assy (ARXD004-014HLAH only)	◆
16	9381209002	Drain pan sub total assy	◆
17	9380682721	Evaporator total assy (ARXD004-005HLAH)	◆
	9380682714	Evaporator total assy (ARXD007-009HLAH)	◆
	9380682707	Evaporator total assy (ARXD012-014HLAH)	◆
	9380682745	Evaporator total assy (ARXP009HLAH)	◆
	9380682752	Evaporator total assy (ARXP012-014HLAH)	◆
<i>a</i>	—	Hook metal	—
<i>b</i>	—	Top panel	—
<i>c</i>	—	Motor band assy	—
<i>d</i>	—	Motor band	—
<i>e</i>	—	Window panel sub assy	—
<i>f</i>	—	Pipe panel sub assy	—
<i>g</i>	—	Valve cover sub assy	—

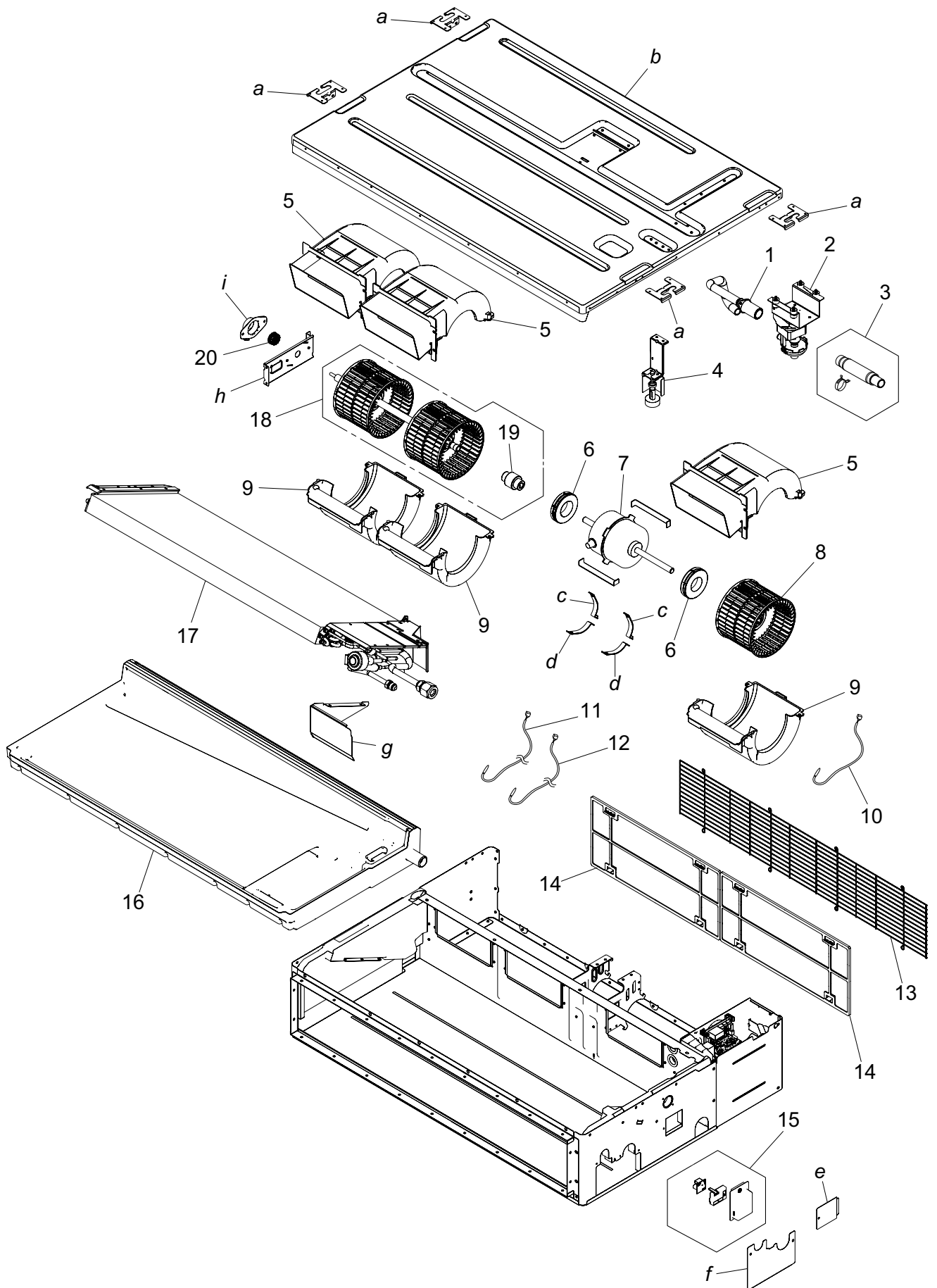
2-2. Control unit



Item no.	Part no.	Part name	Service part
50	9707732030	Switch PCB	◆
51	9900896058	Terminal 5P	◆
52	9712473034	Main PCB (ARXD004-009HLAH)	◆
	9712473041	Main PCB (ARXD012-014HLAH)	◆
	9712473065	Main PCB (ARXP009HLAH)	◆
	9712473072	Main PCB (ARXP012-014HLAH)	◆
53	9709373026	Communication PCB	◆
54	9900568009	Terminal 3P	◆
55	9712481008	Power supply PCB	◆
—	9712283060	Wire with connector (CN206 on Main PCB—CN262 on Power supply PCB)	◆
—	9707853117	Wire with connector (CN800 on Main PCB—CN601 on Switch PCB)	◆
—	9712568006	Wire with connector (CN250 on Main PCB—CN263 Power supply PCB)	◆
—	9712569003	Wire with connector (CN5 on Main PCB—Thermistors)	◆
—	9712574014	Wire with connector (CN205 on Power supply PCB—Terminal 3P)	◆
—	9712572003	Wire with connector (CN306 on Communication PCB—X1, X2, and GND on Terminal 5P)	◆
—	9712571006	Wire with connector (CN300 on Main PCB—Y1 and Y2 on Terminal 5P)	◆
—	9712575004	Wire with connector (ARXD004-014HLAH only) (CN15 on Main PCB—Gas sensor)	◆
<i>a</i>	—	Control box	—
<i>b</i>	—	Main PCB holder	—
<i>c</i>	—	Control box cover	—
<i>d</i>	—	PCB holder	—

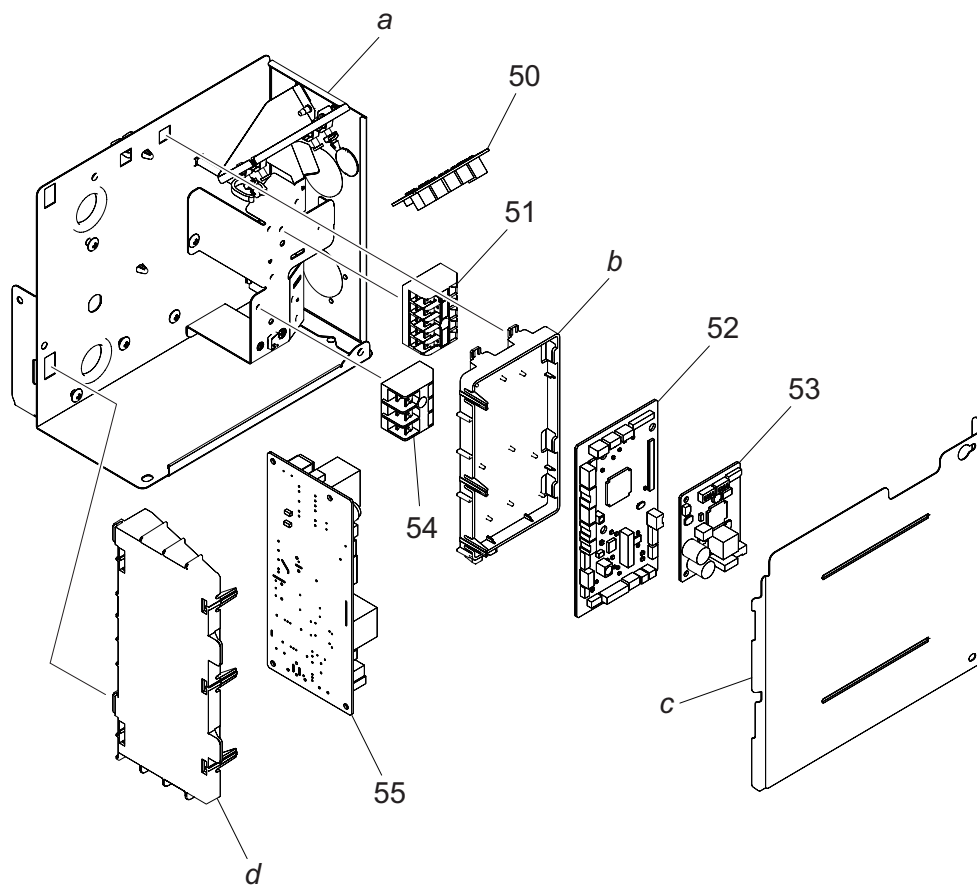
3. Model: ARXD018HLAH

3-1. Chassis and evaporator



Item no.	Part no.	Part name	Service part
1	9379913003	Drain hose assy	◆
2	9379914055	Drain pump sub assy	◆
3	9378450097	Hose sub assy	◆
4	9378593022	Float switch sub assy	◆
5	9379571012	Casing (Upper)	◆
6	9379644006	Vibration proof rubber	◆
7	9604171017	DC fan motor	◆
8	9379570022	Sirocco fan assy	◆
9	9379572019	Casing (Bottom)	◆
10	9900653019	Thermistor (Room temp.)	◆
11	9901213014	Thermistor (Pipe temp.) (L=840)	◆
12	9900509088	Thermistor (Pipe temp.) (L=910)	◆
13	9380590002	Fan guard	◆
14	9379575003	Air filter	◆
15	9360974006	Gas sensor sub assy	◆
16	9379901178	Drain pan sub assy	◆
17	9380682738	Evaporator total assy	◆
18	9379971065	Sirocco fan sub assy	◆
19	9378038011	Joint assy	◆
20	9357921006	Bearing B assy	◆
<i>a</i>	—	Hook metal	—
<i>b</i>	—	Top panel	—
<i>c</i>	—	Motor band assy	—
<i>d</i>	—	Motor band	—
<i>e</i>	—	Window panel sub assy	—
<i>f</i>	—	Pipe panel sub assy	—
<i>g</i>	—	Valve cover sub assy	—
<i>h</i>	—	Bearing holder	—
<i>i</i>	—	Bearing bracket	—

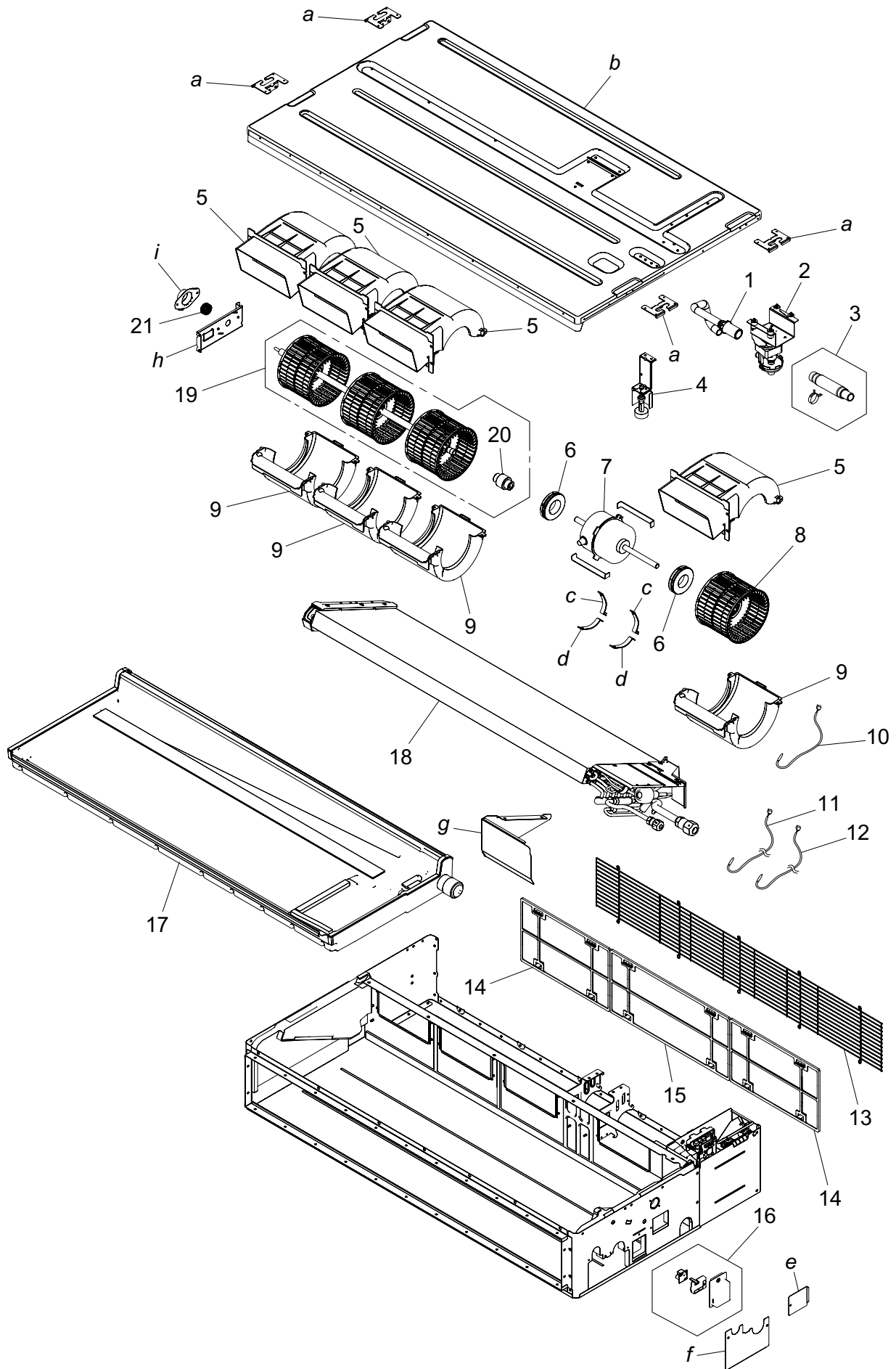
3-2. Control unit



Item no.	Part no.	Part name	Service part
50	9707732030	Switch PCB	◆
51	9900896058	Terminal 5P	◆
52	9712473058	Main PCB	◆
53	9709373026	Communication PCB	◆
54	9900568009	Terminal 3P	◆
55	9712481008	Power supply PCB	◆
—	9712283060	Wire with connector (CN206 on Main PCB—CN262 on Power supply PCB)	◆
—	9707853117	Wire with connector (CN800 on Main PCB—CN601 on Switch PCB)	◆
—	9712568006	Wire with connector (CN250 on Main PCB—CN263 Power supply PCB)	◆
—	9712569003	Wire with connector (CN5 on Main PCB—Thermistors)	◆
—	9712574014	Wire with connector (CN205 on Power supply PCB—Terminal 3P)	◆
—	9712572003	Wire with connector (CN306 on Communication PCB—X1, X2, and GND on Terminal 5P)	◆
—	9712571006	Wire with connector (CN300 on Main PCB—Y1 and Y2 on Terminal 5P)	◆
—	9712575004	Wire with connector (CN15 on Main PCB—Gas sensor)	◆
<i>a</i>	—	Control box	—
<i>b</i>	—	Main PCB holder	—
<i>c</i>	—	Control box cover	—
<i>d</i>	—	PCB holder	—

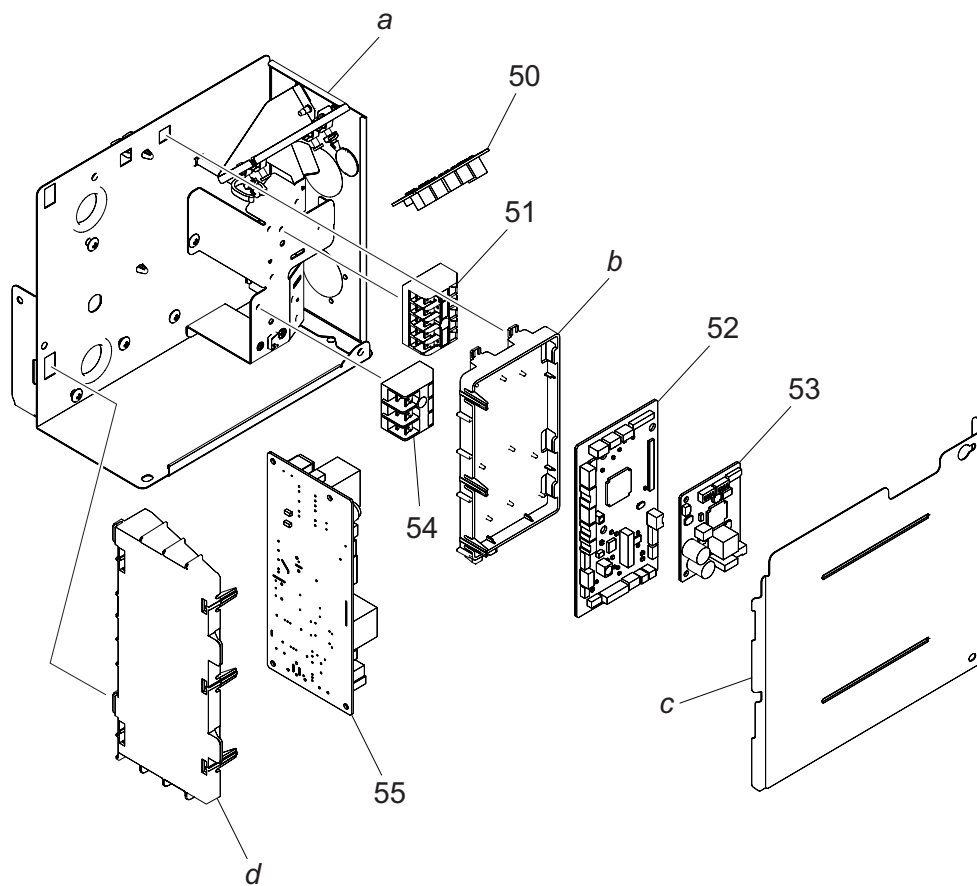
4. Model: ARXD024HLAH

4-1. Chassis and evaporator



Item no.	Part no.	Part name	Service part
1	9379913003	Drain hose assy	◆
2	9379914055	Drain pump sub assy	◆
3	9378593022	Float switch sub assy	◆
4	9378450097	Hose sub assy	◆
5	9379571012	Casing (Upper)	◆
6	9379644006	Vibration proof rubber	◆
7	9604171017	DC fan motor	◆
8	9379570022	Sirocco fan assy	◆
9	9379572019	Casing (Bottom)	◆
10	9900653019	Thermistor (Room temp.)	◆
11	9901213014	Thermistor (Pipe temp.) (L=840)	◆
12	9900509088	Thermistor (Pipe temp.) (L=910)	◆
13	9380591009	Fan guard	◆
14	9379574006	Air filter	◆
15	9379575003	Air filter	◆
16	9360974006	Gas sensor sub assy	◆
17	9379901185	Drain pan sub assy	◆
18	9380682691	Evaporator total assy	◆
19	9379971072	Sirocco fan sub assy	◆
20	9378038011	Joint assy	◆
21	9357921006	Bearing B assy	◆
<i>a</i>	—	Hook metal	—
<i>b</i>	—	Top panel	—
<i>c</i>	—	Motor band assy	—
<i>d</i>	—	Motor band	—
<i>e</i>	—	Window panel sub assy	—
<i>f</i>	—	Pipe panel sub assy	—
<i>g</i>	—	Valve cover sub assy	—
<i>h</i>	—	Bearing holder	—
<i>i</i>	—	Bearing bracket	—

4-2. Control unit



Item no.	Part no.	Part name	Service part
50	9707732030	Switch PCB	◆
51	9900896058	Terminal 5P	◆
52	9712473010	Main PCB	◆
53	9709373026	Communication PCB	◆
54	9900568009	Terminal 3P	◆
55	9712481008	Power supply PCB	◆
—	9712283060	Wire with connector (CN206 on Main PCB—CN262 on Power supply PCB)	◆
—	9707853117	Wire with connector (CN800 on Main PCB—CN601 on Switch PCB)	◆
—	9712568006	Wire with connector (CN250 on Main PCB—CN263 Power supply PCB)	◆
—	9712569003	Wire with connector (CN5 on Main PCB—Thermistors)	◆
—	9712574014	Wire with connector (CN205 on Power supply PCB—Terminal 3P)	◆
—	9712572003	Wire with connector (CN306 on Communication PCB—X1, X2, and GND on Terminal 5P)	◆
—	9712571006	Wire with connector (CN300 on Main PCB—Y1 and Y2 on Terminal 5P)	◆
—	9712575004	Wire with connector (CN15 on Main PCB—Gas sensor)	◆
<i>a</i>	—	Control box	—
<i>b</i>	—	Main PCB holder	—
<i>c</i>	—	Control box cover	—
<i>d</i>	—	PCB holder	—