

# 1. GENERAL INFORMATION

# CONTENTS

## 1. GENERAL INFORMATION

<b>1. Precautions</b> .....	<b>01-1</b>
<b>2. Cassette Grille (option) parts list</b> .....	<b>01-2</b>
2-1. Model: UTG-UFYH-W.....	01-2
<b>3. Indoor unit parts list</b> .....	<b>01-4</b>
3-1. Models: AUXB004HLAH, AUXB005HLAH, AUXB007HLAH, AUX*009HLAH, AUX*012HLAH, AUX*014HLAH, and AUXB018HLAH.....	01-4

# 1. Precautions

When you start servicing, pay attention to the following points. For detailed precautions, refer to the installation manual of the products.

## **⚠ CAUTION**

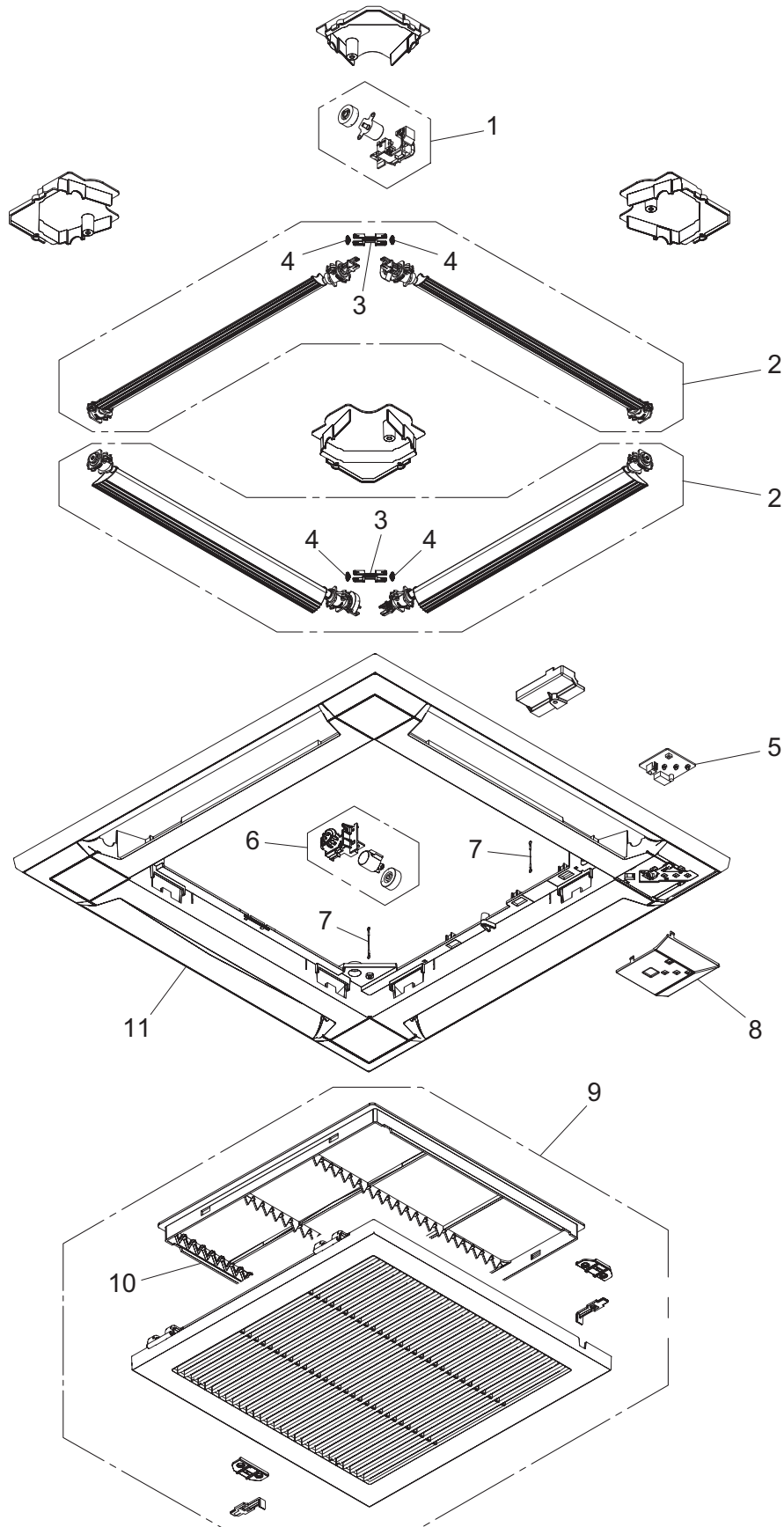
---

- Service personnel
    - Any person who is involved with working on or breaking into a refrigerant circuit should hold a current valid certificate from an industry-accredited assessment authority, which authorizes their competence to handle refrigerants safely in accordance with an industry recognized assessment specification.
    - Servicing shall only be performed as recommended by the equipment manufacturer. Maintenance and repair requiring the assistance of other skilled personnel shall be carried out under the supervision of the person competent in the use of flammable refrigerants.
    - Servicing shall be performed only as recommended by the manufacturer.
  - Work
    - Prior to beginning work on systems containing flammable refrigerants, safety checks are necessary to ensure that the risk of ignition is minimized. When repairing the refrigerant system, refer to the precautions written in the installation manual of the products before you start servicing.
    - Work shall be undertaken under a controlled procedure so as to minimize the risk of a flammable gas or vapor being present while the work is being performed.
    - All maintenance staff and others working in the local area shall be instructed on the nature of work being carried out.
    - Work in confined spaces shall be avoided.
    - The area around the workspace shall be sectioned off.
    - Ensure that the conditions within the area have been made safe by control of flammable material.
    - Electric shock may occur. After turning off the power, always wait 5 minutes before touching electrical components.
    - Do not touch the fins of the heat exchanger. Touching the heat exchanger fins could result in damage to the fins or personal injury such as skin rupture.
    - Do not place any other electrical products or household belongings under the product.
    - Condensation dripping from the product might get them wet, and may cause damage or malfunction to the property.
  - Checking for presence of refrigerant
    - The area shall be checked with an appropriate refrigerant leak detector prior to and during work, to ensure the technician is aware of potentially flammable atmospheres.
    - Ensure that the leak detector being used is suitable for use with flammable refrigerants, i.e. non-sparking, adequately sealed or intrinsically safe.
- 
- Service parts information and design are subject to change without notice for product improvement.
  - For the latest information of the service parts, refer to our Service Portal.  
<https://fujitsu-general.force.com/portal/>
  - Precise figure of the service parts listed in this manual may differ from the actual service parts.

## 2. Cassette Grille (option) parts list

### 2-1. Model: UTG-UFYH-W

#### ■ Overall

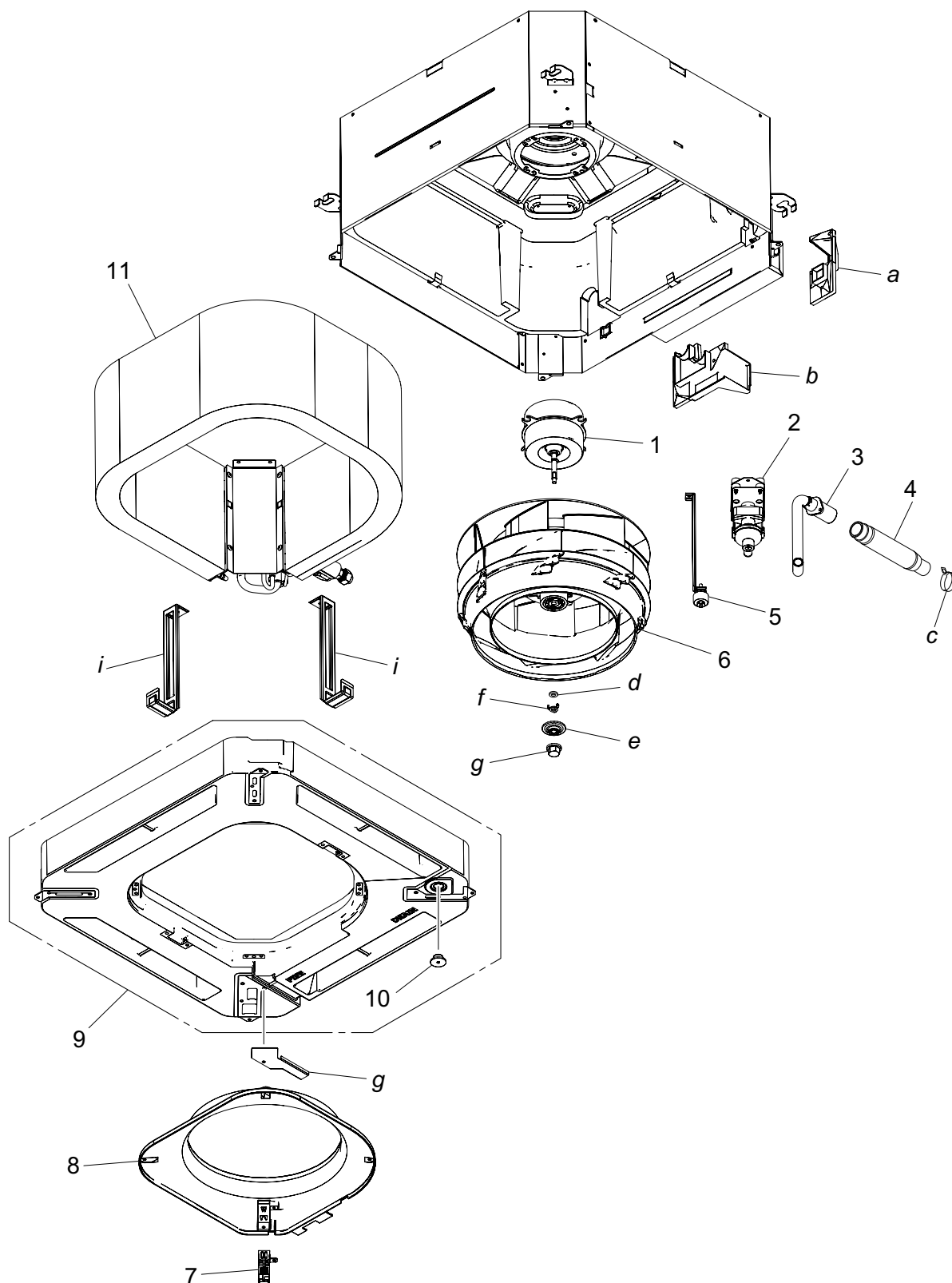


Item no.	Part no.	Part name	Service part
1	9375745011	Motor holder assy A	◆
2	9377760043	Flap total assy	◆
3	9375539016	Joint B	◆
4	9375540012	Joint shaft	◆
5	9711310019	Indicator PCB	◆
6	9375746018	Motor holder assy B	◆
7	9378597013	Hook wire	◆
8	9383100000	Indicator panel assy	◆
9	9382862008	Intake grille assy	◆
10	9375533014	Long-life filter	◆
11	9382821029	Decoration panel	◆
—	9711276001	Wire with connector	◆

### 3. Indoor unit parts list

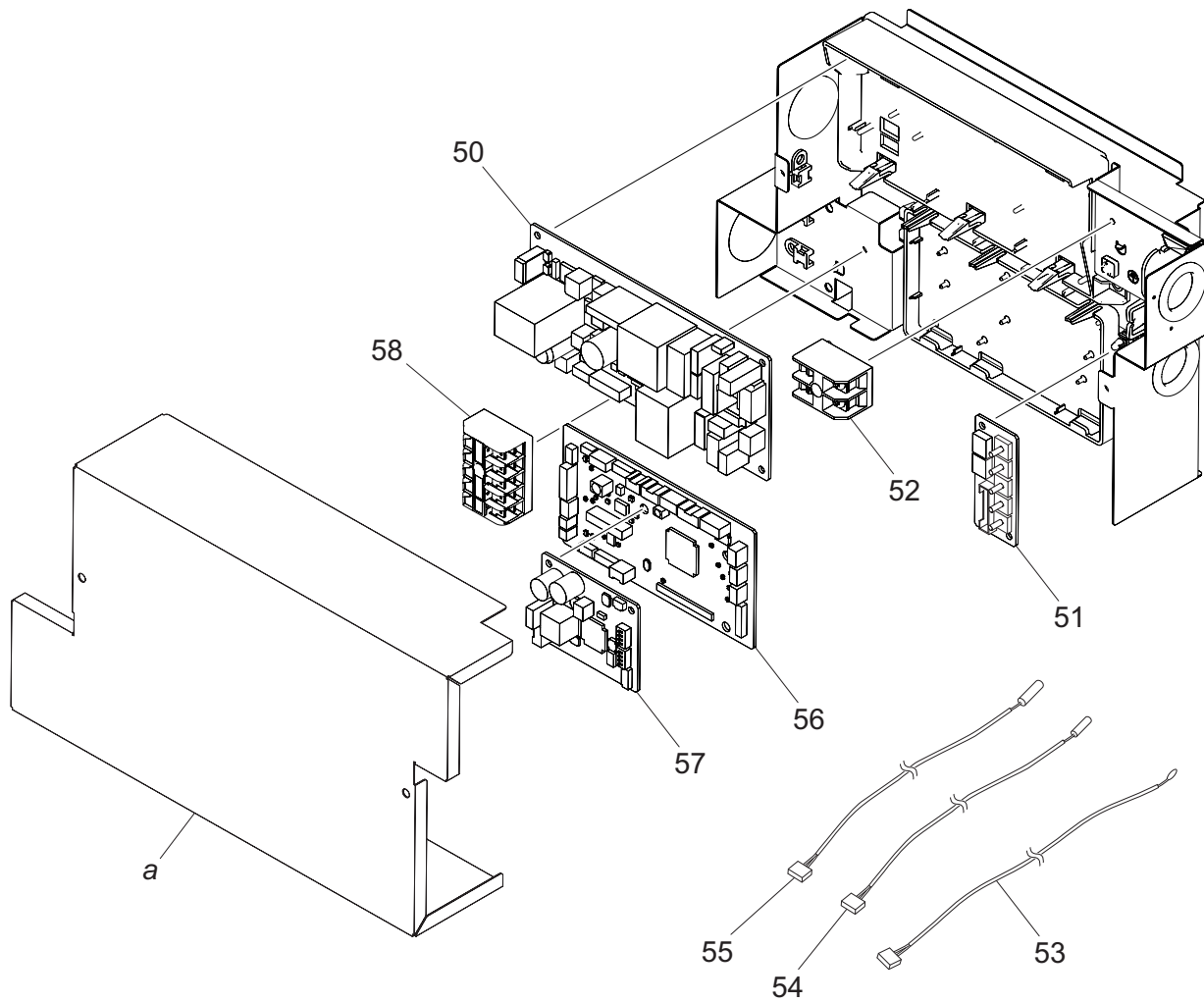
#### 3-1. Models: AUXB004HLAH, AUXB005HLAH, AUXB007HLAH, AUX\*009HLAH, AUX\*012HLAH, AUX\*014HLAH, and AUXB018HLAH

##### ■ Chassis, fan, and evaporator



Item no.	Part no.	Part name	Service part
1	9375719012	DC fan motor	◆
2	9375717018	Drain pump sub assy	◆
3	9375718015	Drain port sub assy	◆
4	9379665001	Drain hose	◆
5	9375721046	Float switch sub assy	◆
6	9375480011	2-stage turbo fan assy	◆
7	9375477011	Thermistor holder	◆
8	9375503017	Bell-mouth hood	◆
9	9377765048	Drain pan sub assy (004, 005, 007, 009, 012, and 014 models)	◆
	9377765031	Drain pan sub assy (018 model)	◆
10	9375502010	Drain cap	◆
11	9375720513	Evaporator sub assy (004 and 005 models)	◆
	9375720506	Evaporator sub assy (007 and 009 models)	◆
	9375720490	Evaporator sub assy (012 and 014 models)	◆
	9375720483	Evaporator sub assy (018 model)	◆
<i>a</i>	—	Wire cover	—
<i>b</i>	—	Pipe cover	—
<i>c</i>	—	Hose band	—
<i>d</i>	—	Rubber washer	—
<i>e</i>	—	Washer cover	—
<i>f</i>	—	Turbo fan washer	—
<i>g</i>	—	Shaft cap	—
<i>h</i>	—	Wire holder	—
<i>i</i>	—	Evaporator holder	—

# ■ Control unit





Item no.	Part no.	Part name	Service part
50	9712481008	Power supply PCB	◆
51	9707732030	Switch PCB	◆
52	9703873027	Terminal 2P	◆
53	9900826000	Thermistor (Room temp.)	◆
54	9900509033	Thermistor (Pipe inlet temp.)	◆
55	9901213021	Thermistor (Pipe outlet temp.)	◆
56	9712473003	Main PCB (Control PCB) (AUXB004-018HLAH)	◆
	9712473027	Main PCB (Control PCB) (AUXN009-014HLAH)	◆
57	9709373026	Communication PCB	◆
58	9900896058	Terminal 5P	◆
—	9712569010	Wire with connector (CN5 on Main PCB—Thermistors)	◆
—	9711275004	Wire with connector (CN48 on Main PCB—Indicator PCB of Cassette Grille)	◆
—	9707449013	Wire with connector (CN115 on Main PCB—Stepping motor)	◆
—	9711277008	Wire with connector (CN156 on Main PCB—Stepping motor)	◆
—	9712568006	Wire with connector (CN250 on Main PCB—CN263 on Power supply PCB)	◆
—	9712283053	Wire with connector (CN260 on Main PCB—CN262 on Power supply PCB)	◆
—	9712571013	Wire with connector (CN300 on Main PCB—Y1 and Y2 on Terminal 5P)	◆
—	9707853025	Wire with connector (CN800 on Main PCB—CN601 on Switch PCB)	◆
—	9712574007	Wire with connector (CN205 on Power supply PCB—Terminal 2P)	◆
—	9711278012	Wire with connector (CN520 on Power supply PCB—DC fan motor)	◆
—	9712572010	Wire with connector (CN306 on Communication PCB—X1, X2, GND on Terminal 5P)	◆
<i>a</i>	—	Control box cover	—