

INDOOR UNIT PARTS LIST

CONTENTS

INDOOR UNIT PARTS LIST

1. Precautions.....	01-1
2. Models: AS*E004HCAH, AS*E005HCAH, AS*E007HCAH, AS*E009HCAH, AS*E012HCAH, and AS*E014HCAH	01-2
2-1. Exterior parts	01-2
2-2. Chassis.....	01-4

1. Precautions

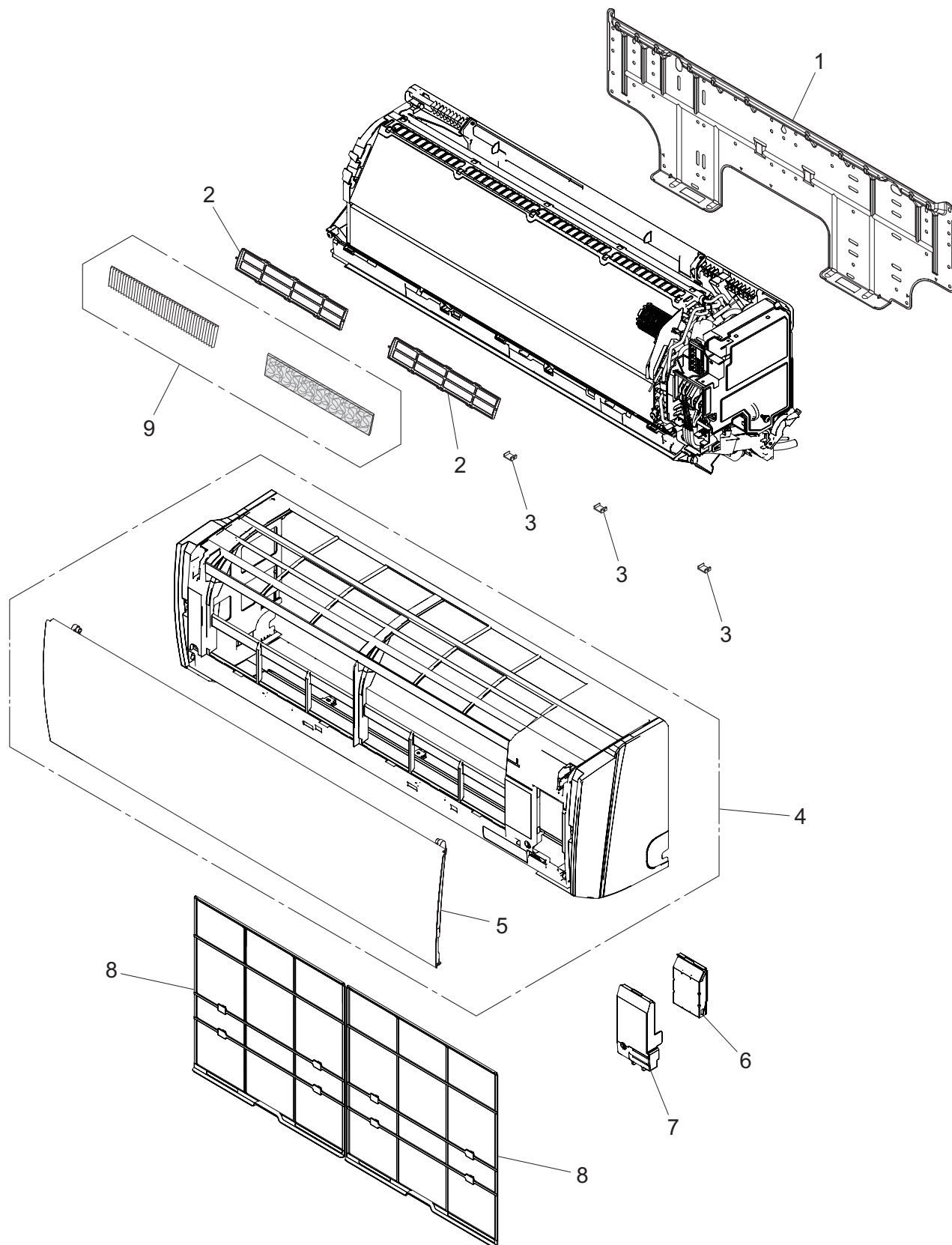
When you start servicing, pay attention to the following points. For detailed precautions, refer to the installation manual of the products.

⚠ CAUTION

- Service personnel
 - Any person who is involved with working on or breaking into a refrigerant circuit should hold a current valid certificate from an industry-accredited assessment authority, which authorizes their competence to handle refrigerants safely in accordance with an industry recognized assessment specification.
 - Servicing shall only be performed as recommended by the equipment manufacturer. Maintenance and repair requiring the assistance of other skilled personnel shall be carried out under the supervision of the person competent in the use of flammable refrigerants.
 - Servicing shall be performed only as recommended by the manufacturer.
 - Work
 - Prior to beginning work on systems containing flammable refrigerants, safety checks are necessary to ensure that the risk of ignition is minimized. When repairing the refrigerant system, refer to the precautions written in the installation manual of the products before you start servicing.
 - Work shall be undertaken under a controlled procedure so as to minimize the risk of a flammable gas or vapor being present while the work is being performed.
 - All maintenance staff and others working in the local area shall be instructed on the nature of work being carried out.
 - Work in confined spaces shall be avoided.
 - The area around the workspace shall be sectioned off.
 - Ensure that the conditions within the area have been made safe by control of flammable material.
 - Electric shock may occur. After turning off the power, always wait 5 minutes before touching electrical components.
 - Do not touch the fins of the heat exchanger. Touching the heat exchanger fins could result in damage to the fins or personal injury such as skin rupture.
 - Do not place any other electrical products or household belongings under the product.
 - Condensation dripping from the product might get them wet, and may cause damage or malfunction to the property.
 - Checking for presence of refrigerant
 - The area shall be checked with an appropriate refrigerant leak detector prior to and during work, to ensure the technician is aware of potentially flammable atmospheres.
 - Ensure that the leak detector being used is suitable for use with flammable refrigerants, i.e. non-sparking, adequately sealed or intrinsically safe.
-
- Service parts information and design are subject to change without notice for product improvement.
 - For the latest information of the service parts, refer to our Service Portal.
<https://fujitsu-general.force.com/portal/>
 - Precise figure of the service parts listed in this manual may differ from the actual service parts.

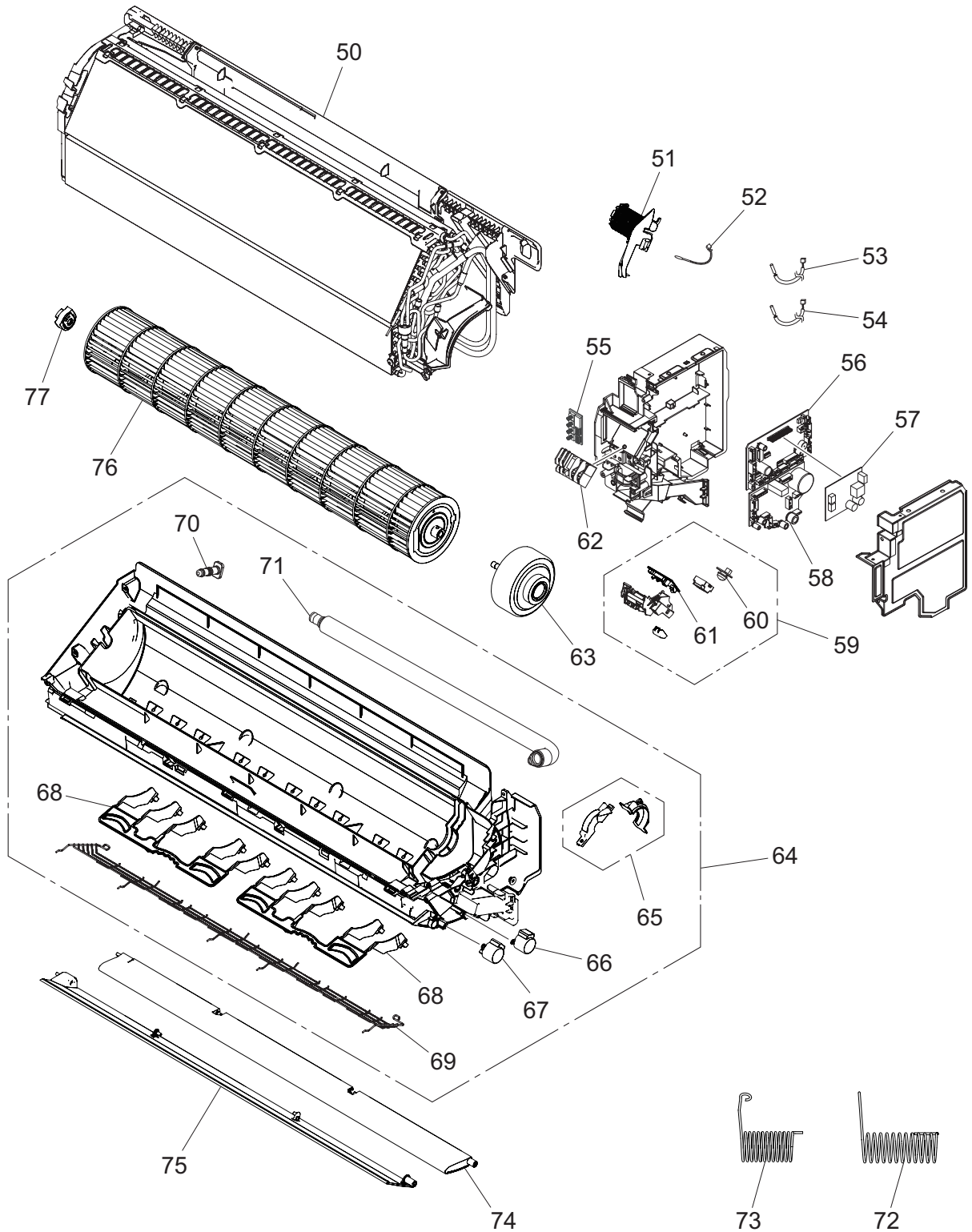
2. Models: AS*E004HCAH, AS*E005HCAH, AS*E007HCAH, AS*E009HCAH, AS*E012HCAH, and AS*E014HCAH

2-1. Exterior parts



Item no.	Part no.	Part name	Service part
1	9332882018	Bracket panel	◆
2	9332911008	Filter holder	◆
3	9309002081	Screw cover	◆
4	9332994261	Front panel sub assy (FUJITSU AIRSTAGE)	◆
	9332994193	Front panel sub assy (GENERAL)	◆
5	9332996005	Intake grille assy	◆
6	9332906004	Wire shield	◆
7	9332894004	Wire cover	◆
8	9332875010	Air filter	◆
9	9317250009	Air cleaning filter assy	◆

2-2. Chassis



Item no.	Part no.	Part name	Service part
50	9332989755	Evaporator total assy (004 and 005 models)	◆
	9332989748	Evaporator total assy (007 and 009 models)	◆
	9332989731	Evaporator total assy (012 and 014 models)	◆
51	9382805005	Room thermistor holder	◆
52	9900960025	Thermistor (Room temp.)	◆
53	9900622039	Thermistor (Pipe temp.) (L=280)	◆
54	9901213038	Thermistor (Pipe temp.) (L=310)	◆
55	9710644009	Switch PCB	◆
56	9712478008	Main PCB	◆
57	9709373026	Communication PCB	◆
58	9712476004	Power supply PCB	◆
59	9709642061	Indicator PCB assy	◆
60	9317755061	Pyroelectric sensor	◆
61	9709431054	Indicator PCB	◆
62	9900952006	Terminal 6P	◆
63	9603342005	DC fan motor	◆
64	9333009124	Casing assy	◆
65	9382807009	Motor holder L/R	◆
66	9900790127	Stepping motor (Diffuser)	◆
67	9900790110	Stepping motor (Louver)	◆
68	9332891003	L and R louver A	◆
69	9332905007	Fan guard	◆
70	9316177017	Drain cap	◆
71	9316904002	Drain hose assy	◆
72	9332999006	Louver spring	◆
73	9333010007	Diffuser spring	◆
74	9332998009	Diffuser assy	◆
75	9333353005	Horizontal louver	◆
76	9316830004	Crossflow fan assy	◆
77	9306628024	Bearing C assy	◆
—	9701439126	Wire with terminal (CN06 on Main PCB—Earth terminal bracket)	◆