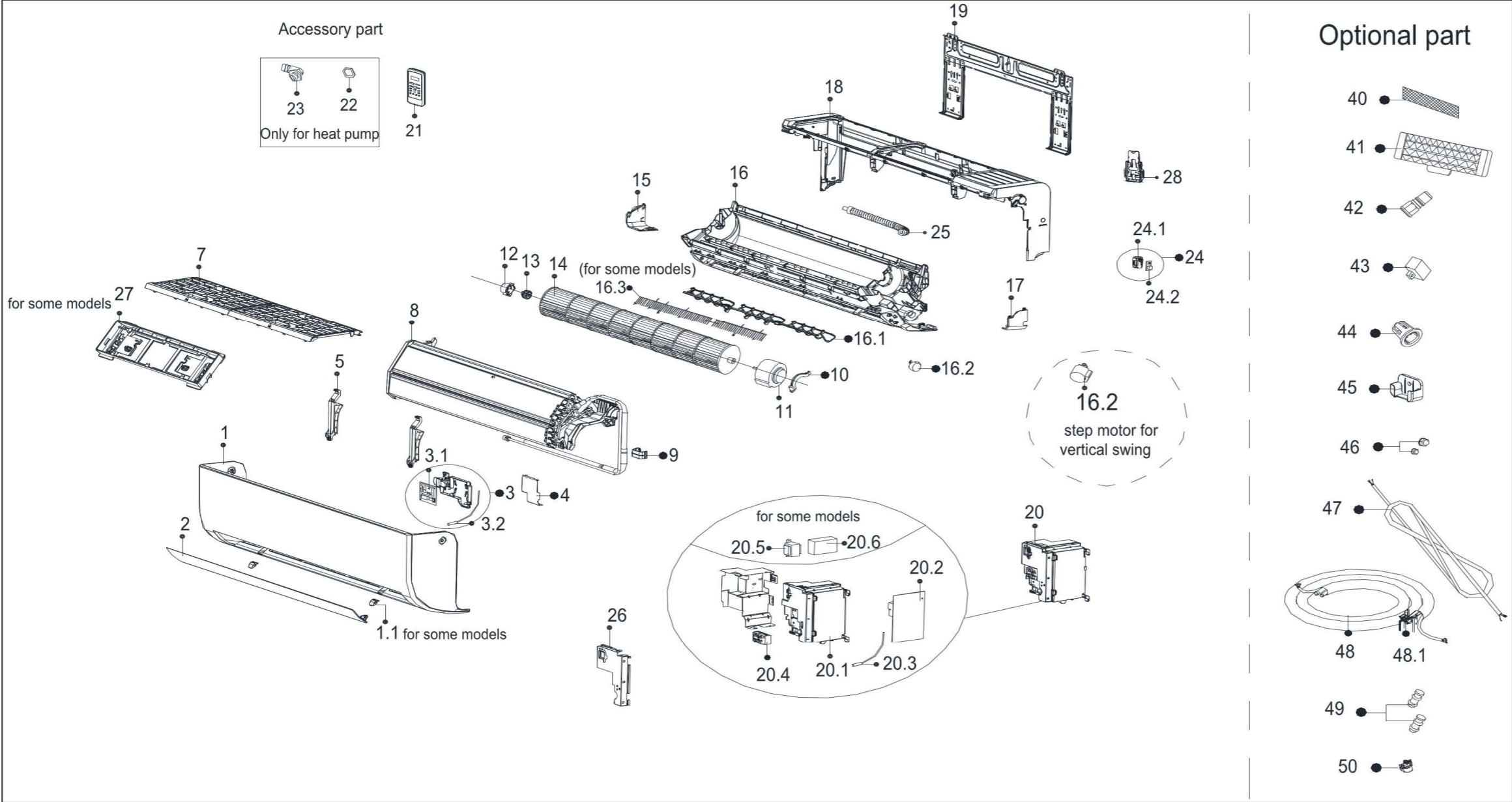


Exploded View

Product code:
Customer model:

22022011007261
KRX-24AEXI



Optional part

- 40 ● [part]
- 41 ● [part]
- 42 ● [part]
- 43 ● [part]
- 44 ● [part]
- 45 ● [part]
- 46 ● [part]
- 47 ● [part]
- 48 ● [part]
- 48.1 ● [part]
- 49 ● [part]
- 50 ● [part]

EX_ID	Spare Parts Code	Part Name(EN)	Qty	Min Shipments	Part Status	Remarks	Long Term Material(Y or N)	High Rate of Replacement(Y or N)
1	12122000A75792	Panel assembly	1		Unknown			
2	12122000012947	Horizontal louver	1		In use		N	
3	17222000A21608	Display box subassembly	1		In use		Y	
3.1	17122000021488	Display board subassembly	1		In use		Y	
3.2	11201007003103	Room Temperature Sensor	1	10	In use		Y	
4	12122000013350	Cover of electrical equipment subassembly	1		In use			
5	12122000012963	Intermediate support	2		In use			
7	12122000012960	Filter filter subassembly	2		In use			
8	15822000008466	Evaporator assembly	1		In use			
9	12122000012194	pipe clamp board	1		In use			
10	12122000012959	Fixing board of fan motor	2		In use			
11	11002015008646	Brushless DC Motor	1	4	In use		Y	
12	12122000011978	Bearing holder	1		In use			
13	12622000000006	Beating base	1	0	In use	N	N	
14	12100102000018	Cross flow fan	1		In use			
15	12122000012948	Front cover of chassis(left)	1		In use			
16	12122000A37110	Chassis assembly(below)	1		In use			
16.1	12122000A26198	drive Louver	12		In use			
16.2	11002010000077	Stepper motor	1		In use		Y	
16.2	11002010000061	stepper motor	1		In use		Y	
17	12122000012964	Front cover of chassis	1		In use			
18	12122000015957	Chassis assembly(above)	1		In use			
19	12222000005705	Installation Plate Subassembly	1		In use			
20	17222000014048	Electronic control box subassembly (Mid-and low-end)	1		In use			
20.1	12122000020046	Electronic control box subassembly	1		In use			
20.2	17122000024909	Main control board subassembly	1		In use		Y	
20.3	11201007003447	Pipe Temperature Sensor	1	10	In use		Y	
20.4	17400401000576	Wire joint	1		In use			
21	17317000A57288	Remote controller	1		In use			
22	12600701000039	seal ring	1		In use			
23	12100509000061	Drain hose	1	0	In use	N	N	
24	17222000009674	Electronic control box subassembly (Mid-and low-end)	1		In use			
24.1	12122000011990	Emergency switch box	1		In use			
24.2	17122000018905	Key board subassembly	1		In use			
25	12100501000032	Drain hose	1	10	In use	N	N	N
26	12122000013356	Electrical Control Box Cover Subassembly	1		In use			
27	12122000014462	Filter support	1		In use			
28	12122000015241	Chassis support unit	2		In use			
40	12100204000685	Air freshening filter	1	0	In use	N	Y	
45	12117000002115	Bracket of remote Controller	1		In use			
46	15500406000003	Copper nut	1	0	In use	N	N	
46	15500406000010	Copper nut	1	0	In use	N	N	