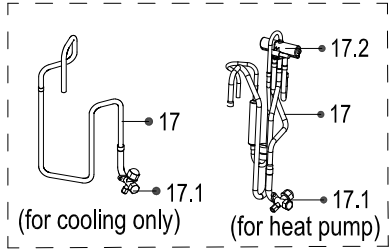


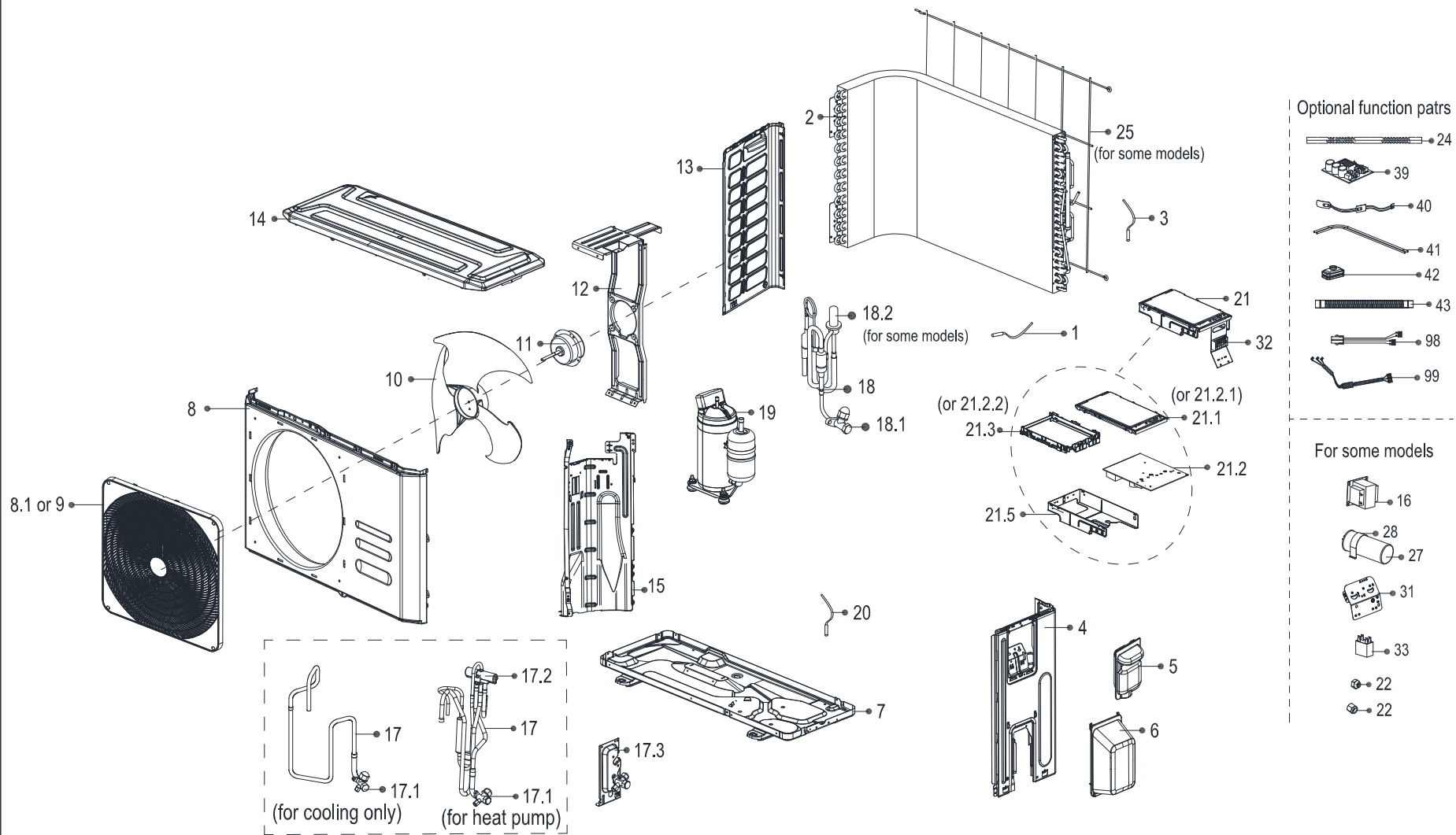
Optional function parts

- 39
- 40
- 41
- 42
- 43
- 98
- 99

For some models

- 16
- 28
- 27
- 31
- 33





## Exploded View

Product code :  
Customer model :

22022016004716  
KRX-12AEXO

EX_ID	Spare Parts Code	Part Name(EN)	Qty.	Min Shipments	Part Status	Remarks	Long Term Material(Y or N)	High Rate of Replacement(Y or N)
1	11201007002020	Room temperature sensor	1	10	In use		N	N
2	15822000008140	Condenser assembly	1		In use			
3	11201007002320	Pipe temperature sensor	1		In use			
4	12222000003597	Parts fn Right Side Plate	1		In use			
5	12100701000015	Big handle assembly	1		In use			
6	12122000007150	Water collector	1		In use			
7	12222000004427	Chassis assembly	1		In use			
8	12222000A02011	Front panel assembly	1		In use			
9	12122000020241	Air outlet grille	1		In use			
10	12100105000057	Axial flow fan	1		In use			
11	11002015008264	Brushless DC Motor	1		In use			Y
12	12222000008924	Supporter subassembly of fan motor	1		In use			
13	12222000001232	Left supporter	1		In use			
14	12222000003598	Top cover assembly	1		In use			
15	12222000004425	Partition board	1		In use			
17	15422000015054	4-way Valve Assembly	1		In use			
17.1	15500204000021	Gas valve	1		In use			
17.2	15500216000028	4-way valve	1	0	In use		N	Y
17.3	12222000002571	Valve plate	1		In use			
18	15422000004134	Liquid valve Assembly	1		In use			
18.1	15500208000028	Liquid valve	1		In use			
19	11103020000239	DC Inverter rotary compressor	1		In use			
20	11201007000005	Discharge temperature sensor	1	0	In use		N	Y
21	17222000017029	Electronic control box subassembly	1		In use			

21.2	17122000028772	Outdoor main control board subassembly	1		In use				
21.2.1	12222000001455	Cover of electronic control box	1		In use				
21.2.2	12122000006913	Support of electronic control box	1		In use				
21.5	12222000001311	Electronic installing box subassembly	1		In use				
22	15500406000010	Copper nut	1	0	In use		N	N	
22	15500406000016	Copper nut	1	0	In use		N	N	
31	12222000002259	Terminal board	1		In use				
32	17400401000016	Terminal	1		In use				
99	17401203000802	Compressor wire subassembly	1		In use				