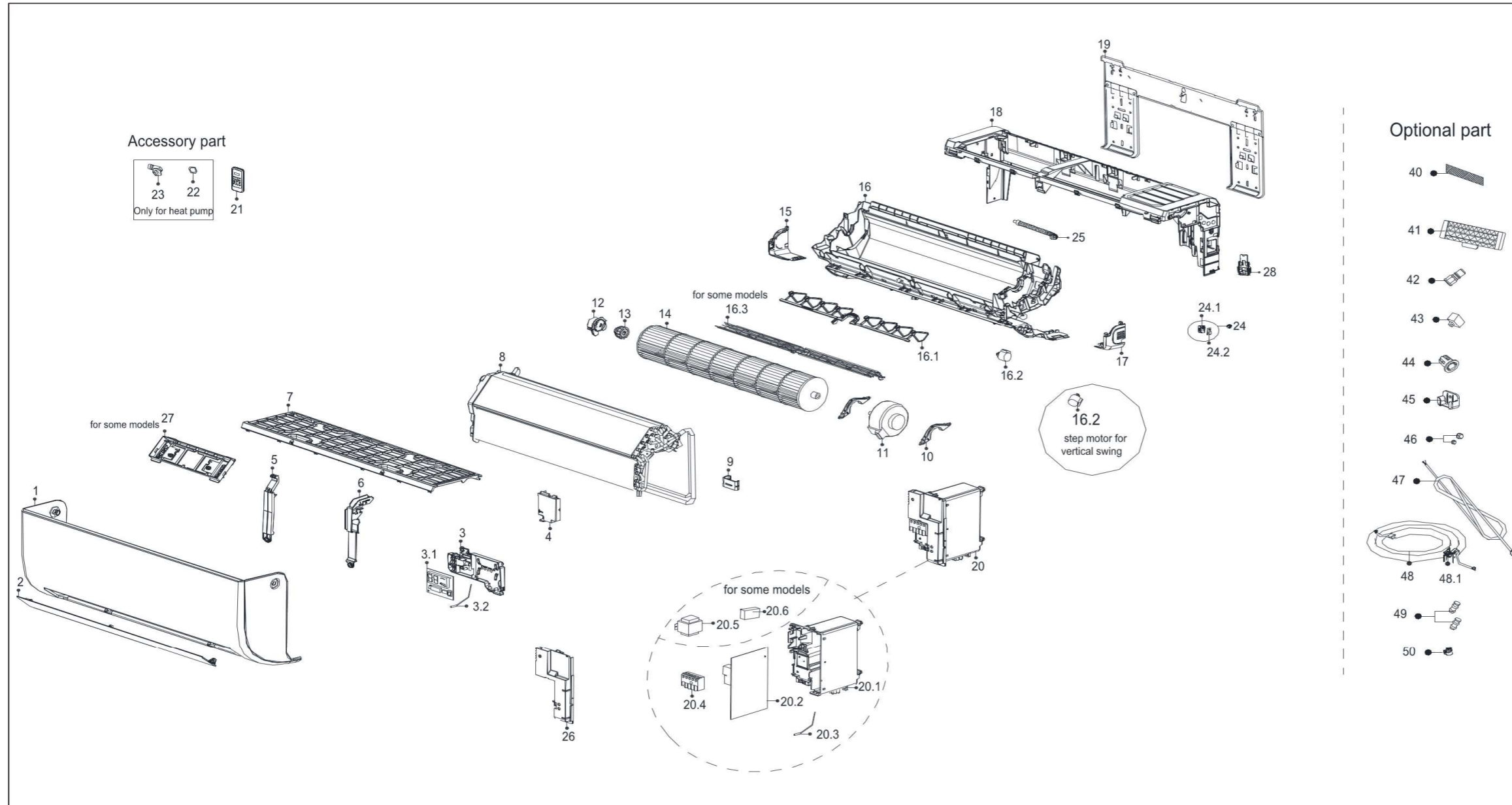


Exploded View

Product code:
Customer model:

22022011012200
KRX-09AEXI



EX_ID	Spare Parts Code	Part Name(EN)	Qty.	Min Shipments	Part Status	Remarks	Long Term Material(Y or N)	High Rate of Replacement(Y or N)
1	12122000A75790	Panel assembly	1		Unknown			
2	12122000011999	Horizontal louver assembly	1		In use			
3	17222000A21608	Display box subassembly	1		In use		Y	
3.1	17122000021488	Display board subassembly	1		In use		Y	
3.2	11201007003103	Room Temperature Sensor	1	10	In use		Y	
4	12122000011984	Cover of electrical equipment subassembly	1		In use			
5	12122000011989	Intermediate support	1		In use			
6	12122000014464	Intermediate support	1		In use			
7	12122000012000	Filter filter assembly	1		In use			
8	15822000008247	Evaporator assembly	1		In use			
9	12122000011987	pipe clamp board	1		In use			
10	12122000011994	Fixing board of fan motor	2		In use			
11	11002015000051	Brushless DC Motor	1	4	In use		N	Y
12	12122000011978	Bearing holder	1		In use			
13	12622000000006	Beating base	1	0	In use		N	N
14	12100102000156	Cross flow fan	1		In use			
15	12122000011983	Front cover of chassis	1		In use			
16	12122000A37141	Chassis assembly(below)	1		In use			
16.1	12122000A26205	drive Louver	8		In use			
16.2	11002010A00014	Stepper motor	1		In use			Y
16.2	11002010000143	Stepper motor	1		In use			Y
17	12122000011986	Front cover of chassis(right)	1		In use			
18	12122000015958	Chassis assembly(above)	1		In use			
19	12222000005044	Installation plate	1		In use			
20	17222000014051	Electronic control box subassembly (Mid-and low-end)	1		In use			
20.1	12122000011980	Electronic control box subassembly	1		In use			
20.2	17122000024915	Main control board subassembly	1		In use		Y	
20.3	11201007003447	Pipe Temperature Sensor	1	10	In use		Y	
20.4	17400401000576	Wire joint	1		In use			
21	17317000A57288	Remote controller	1		In use			
22	12600701000039	seal ring	1		In use			
23	12100509000061	Drain hose	1	0	In use		N	N
24	17222000009674	Electronic control box subassembly (Mid-and low-end)	1		In use			
24.1	12122000011990	Emergency switch box	1		In use			
24.2	17122000018905	Key board subassembly	1		In use			
25	12100501000032	Drain hose	1	10	In use		N	N
26	12122000011985	Electrical Control Box Cover Subassembly	1		In use			
27	12122000014462	Filter support	1		In use			
28	12122000015241	Chassis support unit	2		In use			
40	12100204000685	Air freshening filter	1	0	In use		N	Y
45	12117000002115	Bracket of remote Controller	1		In use			
46	15500406000010	Copper nut	1	0	In use		N	N
46	15500406000016	Copper nut	1	0	In use		N	N