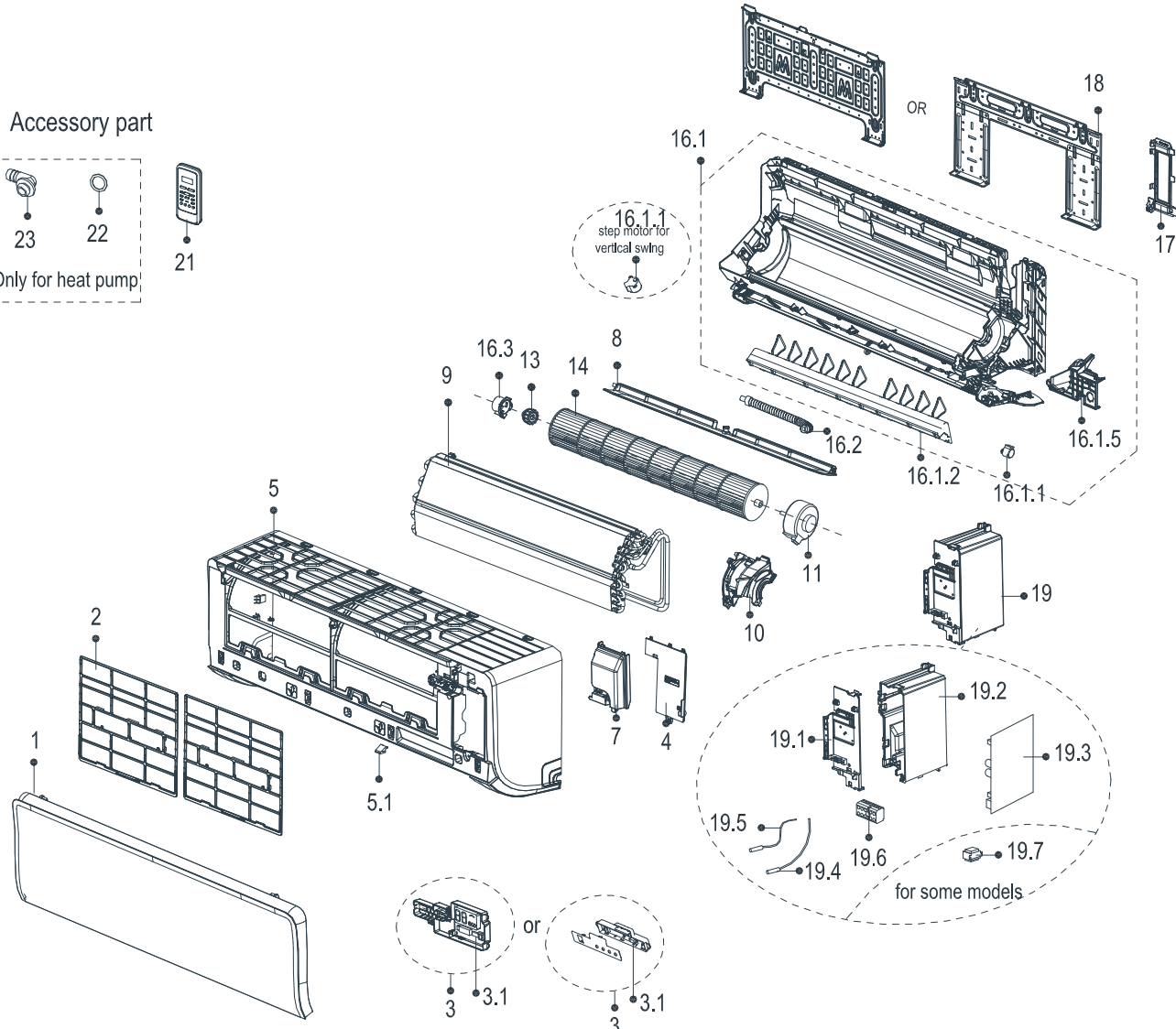
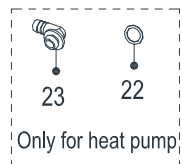
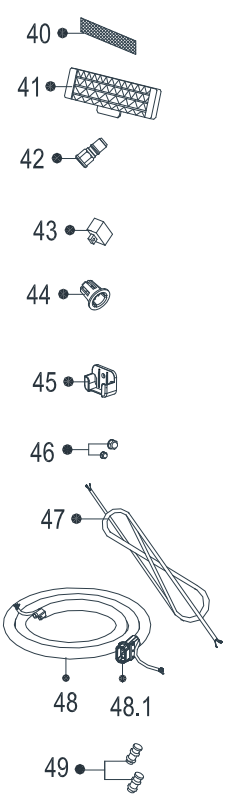


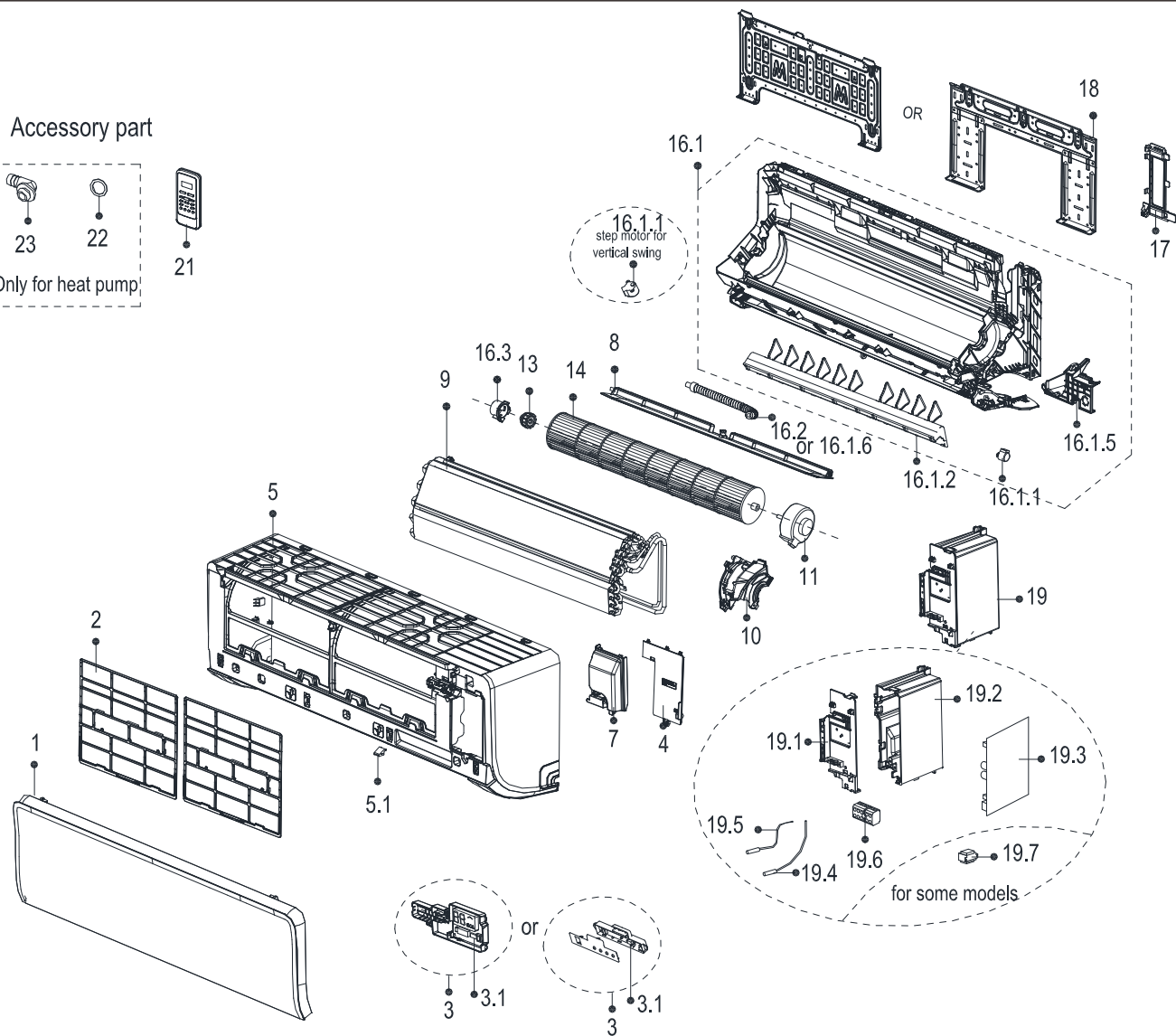
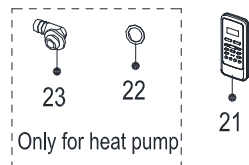
Accessory part



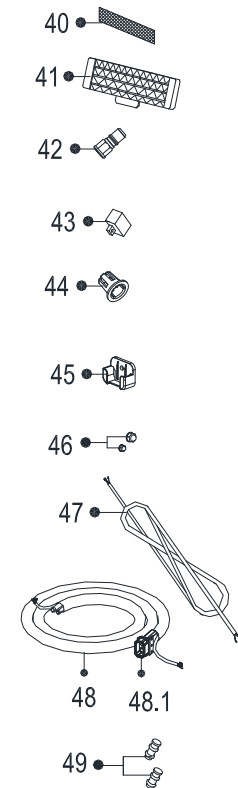
Optional part



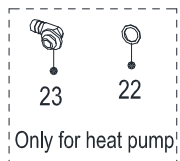
Accessory part



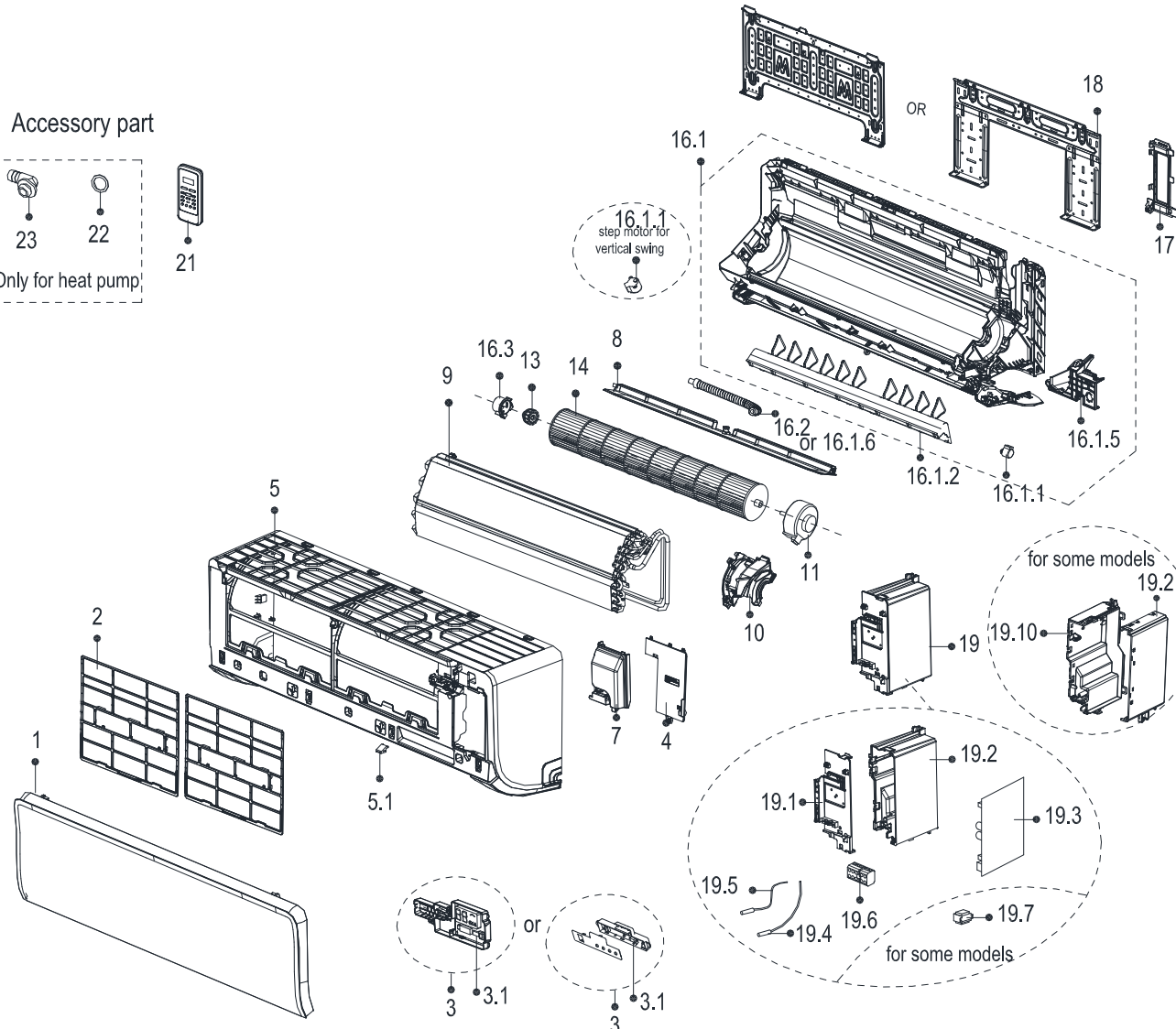
Optional part



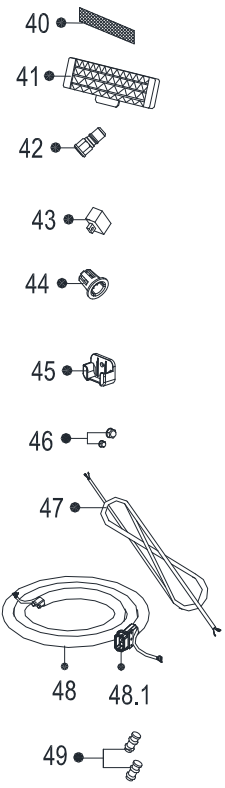
Accessory part



Only for heat pump!



Optional part



Exploded View

Product code :
Customer model :

22022011015121
KWC-12CRFI

EX_ID	Spare Parts Code	Part Name(EN)	Qty.	Min Shipments	Remark2	Part Status	Remarks	Long Term Material(Y or N)	High Rate of Replacement(Y or N)
1	12122000A79730	Panel assembly	1			In use			
2	12100204000522	Filter filter subassembly	2			In use			
3	17222000A58269	Display box subassembly	1			In use			Y
3.1	17122000047923	Display board subassembly	1			In use			Y
4	12122000024739	Cover of electrical equipment	1			In use			
5	12122000025543	Panel frame assembly	1			In use			N
5.1	12122000013139	Screw Cap	1			In use			
7	12122000025064	Cover board for wiring	1			In use			
8	12122000025544	Horizontal louver assembly	1			In use			
9	15822000010276	Evaporator assembly	1			In use			
10	12122000024722	Fan motor cover	1			In use			
11	11002015000150	Brushless DC Motor	1	4		In use			Y
13	12622000000006	Bearing base	1	0		In use		N	N
14	12100102000576	Cross flow fan	1			In use			
16	12122000025628	Chassis assembly	1			In use			
16.1	12122000026444	Chassis assembly	1			In use			
16.1.1	11002010000143	Stepper motor	1			In use			Y
16.1.1	11002010A00014	Stepper motor	1			In use			Y
16.1.2	12122000025629	vortex tongue bar	1			In use			
16.1.5	12122000024735	Anti mouse baffle	1			In use			
16.1.6	12100501000032	Drain hose	1	10		In use		N	N
16.3	12122000000350	Bearing holder	1	0		In use		N	N
17	12122000012943	pipe clamp board	1			In use			
18	12222000000018	Installation plate	1			In use			

19	17222000030678	Electronic control box subassembly (Mid-and low-end)	1			In use			
19.1	12122000025621	Cover of electronic control box (BMC)	1			In use			
19.2	12122000024733	Electronic control box	1			In use			
19.3	17122000047652	Main control board subassembly	1			In use			Y
19.4	11201007003424	Room temperature sensor	1	10		In use			Y
19.5	11201007003447	Pipe Temperature Sensor	1	10		In use			Y
19.6	17400401000576	Wire joint	1			In use			
21	17317000A58345	Remote controller	1			In use			
22	12600701000039	seal ring	1			In use			
23	12100509000061	Drain hose	1	0		In use		N	N
40	12100204000685	Air freshening filter	2	0		In use		N	Y
43	17400609000580	Ion generator	1			In use			
45	12117000A29076	Bracket of remote Controller	1			In use			
46	15500406000010	Copper nut	1	0	A01=6.35mm(1/4 in);B02=9.52mm(3/8in);C03=12.7mm(1/2in);D04=15.9mm(5/8 in);E05=19mm(3/4in);F07=22mm(7/8in);	In use		N	N

46	15500406000016	Copper nut	1	0	A01=6.35mm(1/4 in);B02=9.52mm(3/8in);C03=12.7mm(1/2in);D04=15.9mm(5/8 in);E05=19mm(3/4in);F07=22mm(7/8in);	In use		N	N
----	----------------	------------	---	---	--	--------	--	---	---