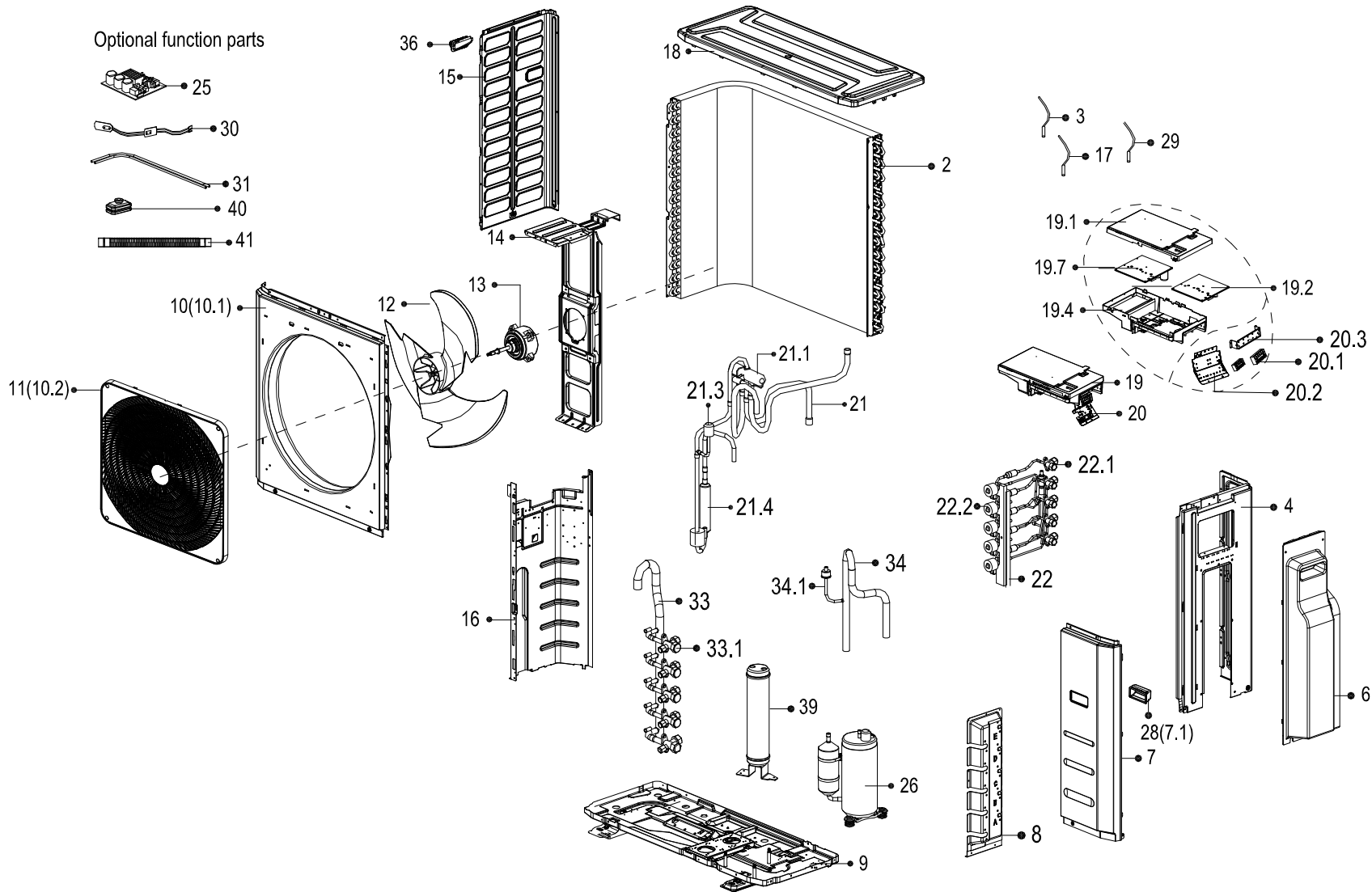
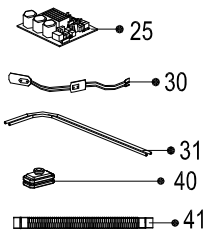


Optional function parts



Exploded View

Product code :

22022316000887

Customer model :

K50D-42HFN32

EX_ID	Spare Parts Code	Part Name(EN)	Qty.	Min Shipments	Part Status	Remarks	Long Term Material(Y or N)	High Rate of Replacement(Y or N)	Option Parts
2	15822000009436	Condenser Assembly	1		In use				
3	11201007000047	Pipe temperature sensor	1	0	In use		N	Y	
3	11201007000142	Pipe Temperature Sensor	1		In use				
4	12222300000510	Rear right clapboard assembly	1		In use				
6	12122300000090	Shield	1		In use				
7	12222500000633	Front right clapboard assembly	1		In use				
7.1	12100702000038	handle	1		In use				
8	12222000005272	Valve plate	1		In use				
9	12222000006984	Chassis assembly	1		In use				
10	12222000004983	Front panel	1		In use				
11	12122000020245	Air outlet grille	1		In use				
12	12100105000084	Axial flow fan	1	0	In use		N	Y	
13	11002015000247	Brushless DC Motor	1		In use				
14	12222500000547	Supporter subassembly of fan motor	1		In use				
15	12222500000539	Left side plate assembly of cabinet	1		In use				
16	12222200001158	Partition board assembly	1		In use				
17	11201007000039	Room temperature sensor	1	0	In use		N	Y	
18	12222500000587	Top cover assembly	1		In use				
19	17222000018428	Electronic control box subassembly	1		In use				
19.1	12122200002719	Electronic installing box subassembly	1		In use				
19.2	17122000030688	Outdoor main control board subassembly	1		In use				
19.4	12122200002715	Electronic installing box subassembly	1		In use				
19.7	17122000025435	Inverter control board subassembly	1		In use				
20	17222300000690	Terminal board subassembly	1		In use				
20.1	17400401000084	Wire joint	2		In use				

20.2	12222300000033	Terminal board	1		In use			
20.3	12222300000032	Terminal board	1		In use			
21	15422300000350	4-way valve assembly	1		In use			
21.1	15500216000361	4-way valve	1		In use			
21.3	17400516000020	Pressure switch	1		In use			
21.4	15500506000007	Muffler	1		In use			
22	15422000010632	Liquid valve Assembly	1		In use			
22.1	15500208000028	Liquid valve	5		In use			
22.2	15500213000179	Electric expansive valve (EEV)	5		In use			
24	15500406000010	Copper nut	4	0	In use		N	N
24	15500406000012	Copper nut	1	0	In use		N	N
24	15500406000016	Copper nut	5	0	In use		N	N
26	11103020000719	DC Inverter Rotary Compressor	1		In use			
29	11201007000157	Discharge Temperature Sensor	1		In use			
33	15422300000384	Gas valve assembly	1		In use			
33.1	15500204000021	Gas valve	4		In use			
33.1	15500204000058	Gas valve	1		In use			
34	15122300001024	Suction pipe assembly	1		In use			
34.1	17400516000008	Pressure switch	1	0	In use		N	Y
39	155005080000315	Accumulator cylinder	1		In use			
99	174012030000909	Compressor wire subassembly	1		In use			