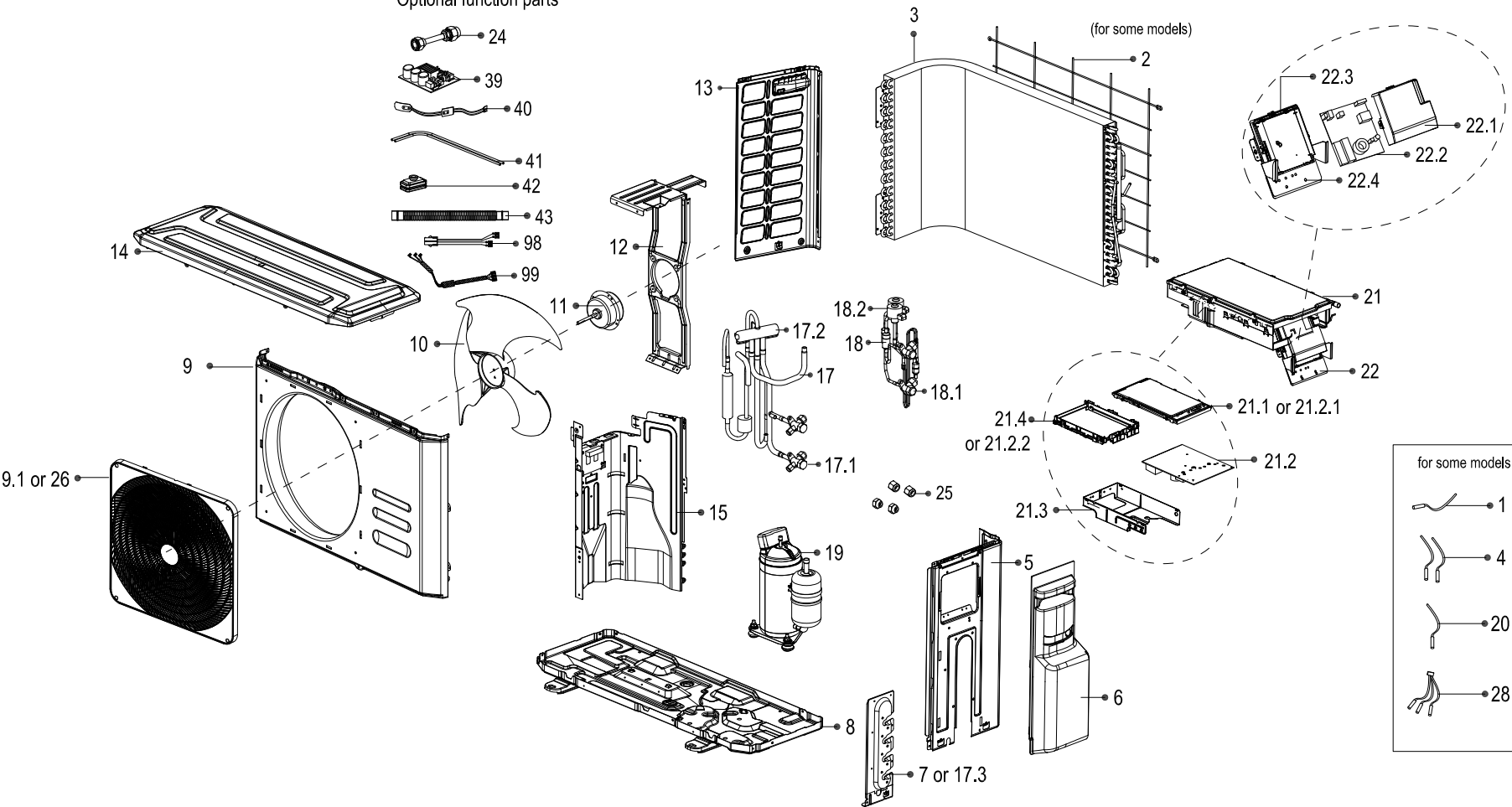


Optional function parts

- 24
- 39
- 40
- 41
- 42
- 43
- 98
- 99



- for some models
- 1
 - 4
 - 20
 - 28

Exploded View

Product code :

22022316000765

Customer model :

K2OC-18HFN32

EX_ID	Spare Parts Code	Part Name(EN)	Qty.	Min Shipments	Part Status	Remarks	Long Term Material(Y or N)	High Rate of Replacement(Y or N)	Option Parts
1	11201007000039	Room temperature sensor	1	0	In use		N	Y	
3	15822000008263	Condenser assembly	1		In use				
4	11201007000136	Pipe temperature sensor	1	0	In use		N	N	
4	11201007000259	Pipe Temperature Sensor	1		In use				
5	12222000006565	Right Side Plate	1		In use				
6	12122000014223	Shield	1		In use				
7	12222300000609	Valve plate	1		In use				
8	12222000000711	Chassis assembly	1		In use				
9	12222000A02014	Front panel assembly	1		In use				
10	12100105000051	Axial flow fan	1	0	In use		N	Y	
11	11002015006761	Brushless DC Motor	1		In use				
12	12222200002154	Supporter subassembly of fan motor	1		In use				
13	12222000008484	Left side plate assembly of cabinet	1		In use				
14	12222000002451	Top cover assembly	1		In use				
15	12222000002230	Partition board	1		In use				
17	15422300000525	4-way Valve Assembly	1		In use				
17.1	15500204000021	Gas valve	2		In use				
17.2	15500216000361	4-way valve	1		In use				
18	15422000010312	Liquid valve Assembly	1		In use				
18.1	15500208000028	Liquid valve	2		In use				
18.2	15500213000179	Electric expansive valve (EEV)	2		In use				
19	11103020000259	DC Inverter Rotary Compressor	1		In use				
20	11201007000005	Discharge temperature sensor	1	0	In use		N	Y	
21	17222000015870	Electronic control box subassembly	1		In use				
21.2	17122000026972	Outdoor main control board subassembly	1		In use				
21.2.1	12222000001455	Cover of electronic control box	1		In use				

21.2.2	12122000006913	Support of electronic control box	1		In use			
21.3	12222000008644	Electric Installing Box Subassembly	1		In use			
22	17222300001509	Terminal board subassembly	1		In use			
22.1	12122000014222	Cover of electronic control box	1		In use			
22.2	17122000026968	Inverter control board subassembly	1		In use			
22.3	12122000014221	PCB BOX	1		In use			
22.4	12222000006564	Installation plate of electric parts	1		In use			
24	15111600000297	Connecting flexible hose assembly	1		In use			
25	15500406000010	Copper nut	2	0	In use		N	N
25	15500406000016	Copper nut	2	0	In use		N	N
26	12122000020241	Air outlet grille	1		In use			
99	17401203000802	Compressor wire subassembly	1		In use			