

Optional function parts



37



38



39



40



41

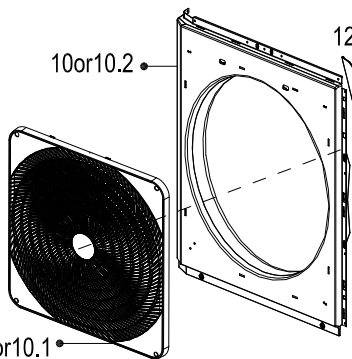


42

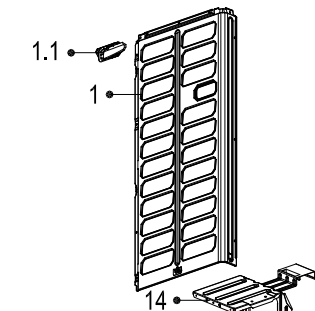
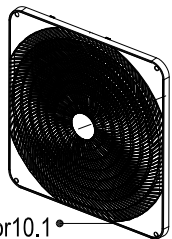


99

10or10.2

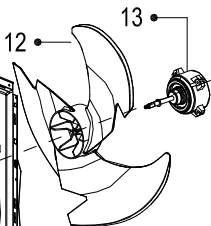


11or10.1



1.1

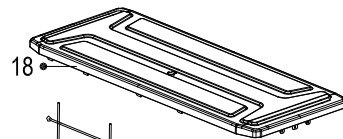
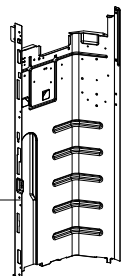
1



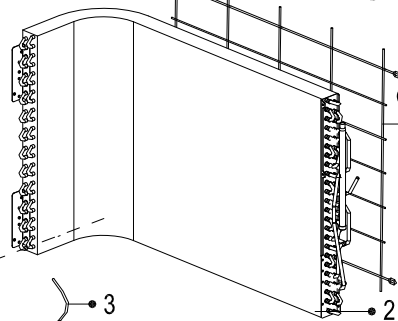
12

13

16



18



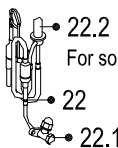
Optional
25

2

31.1or21.3
For some models

3

31or21.4



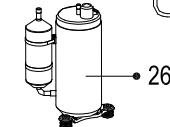
22.2

For some models

22

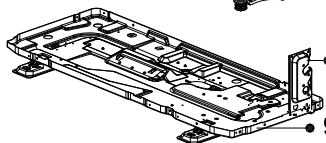
22.1

32.1
For some models



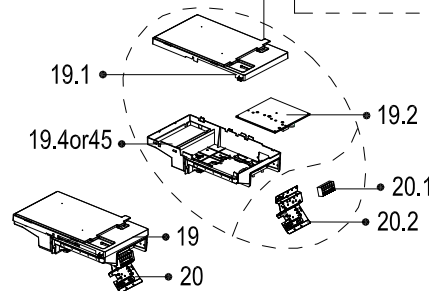
26

32 or 21.5



8 or 22.3

9



19.1

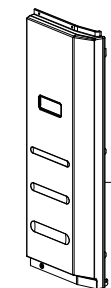
19.4or45

19

20

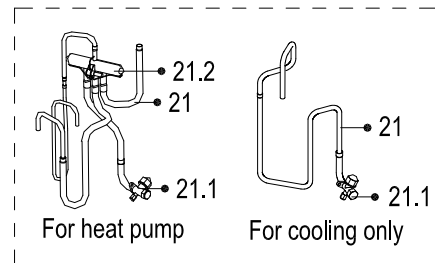
24

24



7.1or28

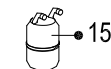
7



For heat pump

For cooling only

For some models



15



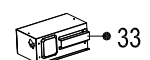
27



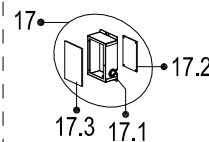
19.3



19.7

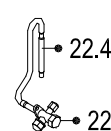


33



17

17.3 17.1



22.4

22.1



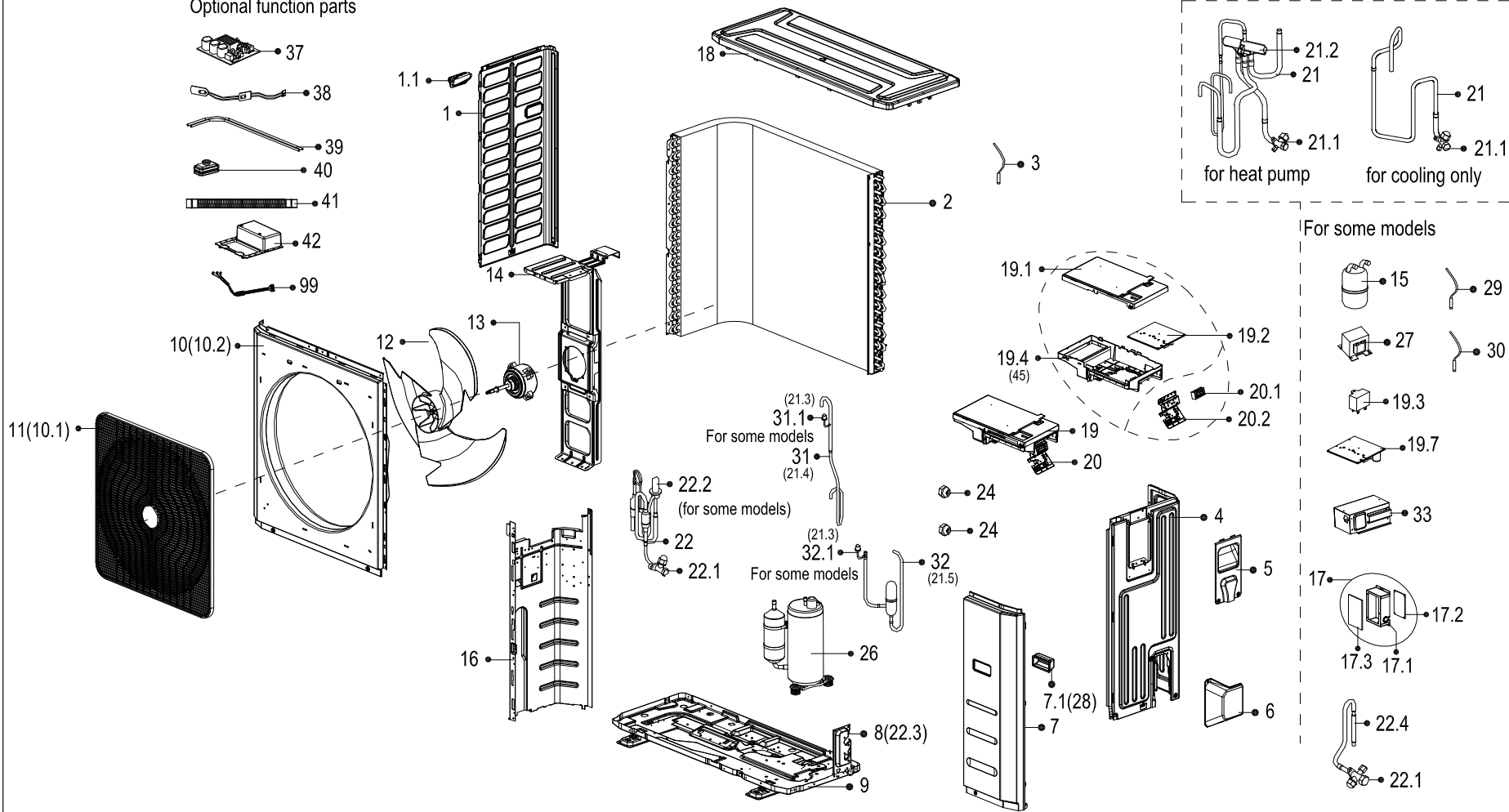
29



30

Optional function parts

- 37
- 38
- 39
- 40
- 41
- 42
- 99



Exploded View

Product code :
Customer model :

22022516001222
KOD30U-36HFN32

EX_ID	Spare Parts Code	Part Name(EN)	Qty.	Min Shipments	Part Status	Remarks	Long Term Material(Y or N)	High Rate of Replacement(Y or N)	Option Parts
1	12222500000539	Left side plate assembly of cabinet	1		In use				
1.1	12100701000033	Small handle	1		In use				
2	15822000008779	Condenser assembly	1		In use				
3	11201007000287	Pipe temperature sensor	1		In use				
4	12222500000534	Rear right clapboard assembly	1		In use				
5	12122000017001	Big handle assembly	1		In use				
6	12122200002695	Water collector	1		In use				
7	12222500000633	Front right clapboard assembly	1		In use				
7.1	12100702000038	handle	1		In use				
9	12222000004762	Chassis assembly	1		In use				
10	12222000004983	Front panel	1		In use				
11	12122000020245	Air outlet grille	1		In use				
12	12100105000084	Axial flow fan	1	0	In use		N	Y	
13	11002015000247	Brushless DC Motor	1		In use				
14	12222000005162	Supporter subassembly of fan motor	1		In use				
15	15500508000315	Accumulator cylinder	1		In use				
16	12222200001158	Partition board assembly	1		In use				
17	17222000009112	Electronic control box subassembly	1		In use				
17.1	12223000000052	Electronic control box	1		In use				
17.2	11203803000154	Radiator	1		In use				
17.3	17122000018428	Inverter control board subassembly	1		In use				
18	12222500000587	Top cover assembly	1		In use				
19	17222000027295	Electronic control box subassembly	1		Abandon				
19.1	12122200002719	Electronic installing box subassembly	1		In use				
19.2	17122000041460	Outdoor main control board subassembly	1		In use				

19.4	12122200002715	Electronic installing box subassembly	1		In use				
19.7	17122000041459	Inverter control board subassembly	1		In use				
20	17222500000701	Terminal board subassembly	1		In use				
20.1	17400401000016	Terminal	1		In use				
20.2	12222200001476	Terminal board	1		In use				
21	15422500000197	4-way valve assembly	1		In use				
21.1	15500204000025	Gas valve	1		In use				
21.2	15500216000361	4-way valve	1		In use				
21.4	15122500001082	Suction pipe	1		In use				
21.5	15122500001081	Discharge pipe	1		In use				
22	15422000016298	Liquid valve assembly	1		In use				
22.1	15500204000021	Gas valve	1		In use				
22.2	15500213000245	Electronic expansion valve	1		In use				
22.3	12222200002110	Valve plate	1		In use				
24	15500406000003	Copper nut	1	0	In use		N	N	
24	15500406000010	Copper nut	1	0	In use		N	N	
24	15500406000003	Copper nut	1	0	In use		N	N	
24	15500406000010	Copper nut	1	0	In use		N	N	
26	11103020000719	DC Inverter Rotary Compressor	1		In use				
27	17400306000057	Reactance	1		In use				
31	15122500001556	Suction pipe assembly	1		In use				
31.1	17400516000008	Pressure switch	1	0	In use		N	Y	
32	15122500001079	Discharge pipe assembly	1		In use				
32.1	17400516000007	Pressure switch	1		In use				
33	12222200001792	Inductor Cover Assembly	1		In use				
99	17401203000939	Compressor wire subassembly	1		In use				