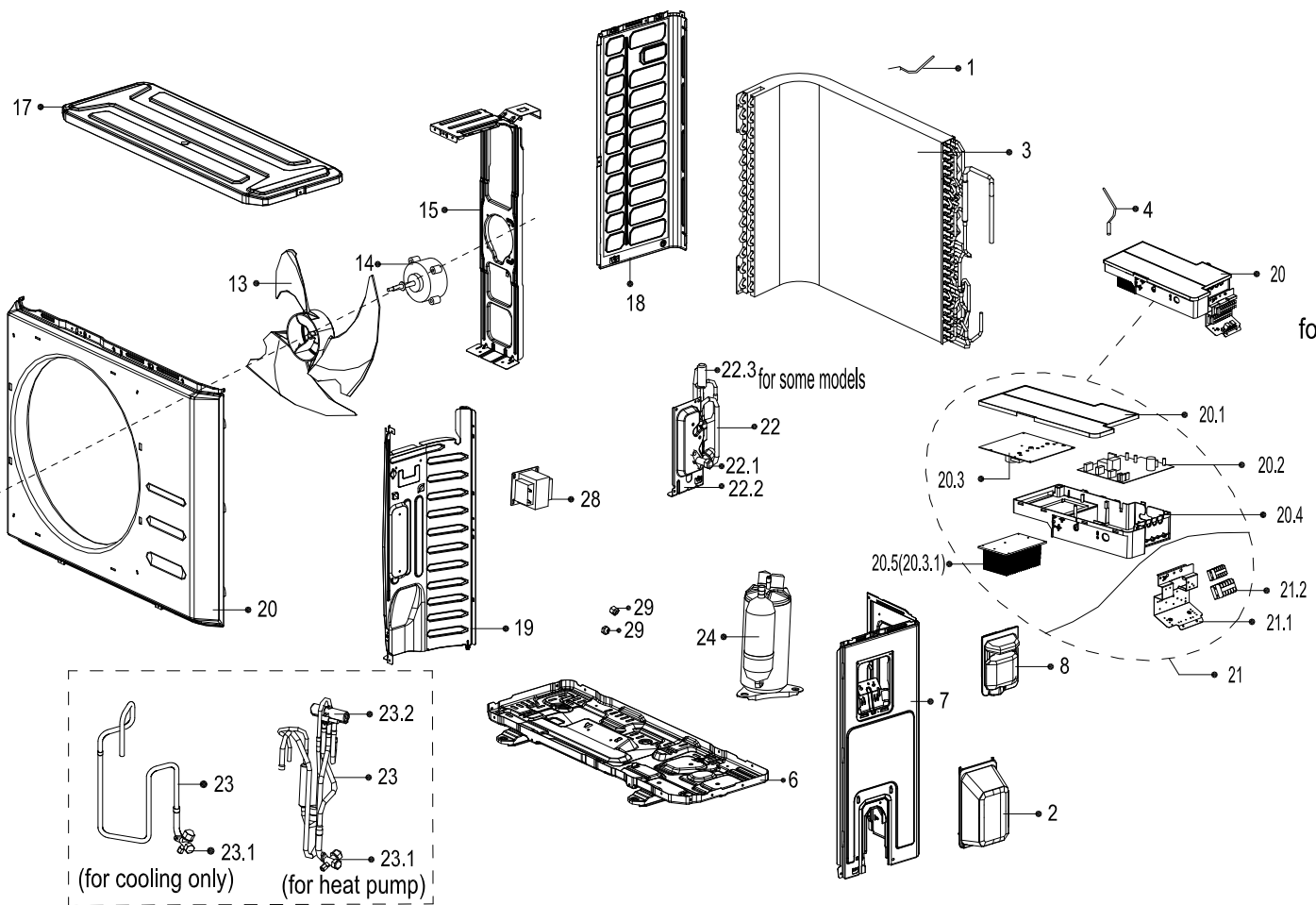
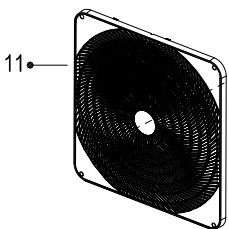


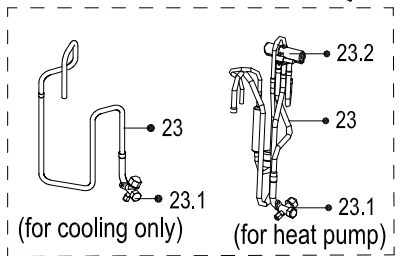
Optional function parts

- 39
- 40
- 41
- 42
- 43
- 44
- 98
- 99



for some models

- 26
- 20.6
- 22.4



for some models

- 29
- 29

20.5(20.3.1)

21

Exploded View

Product code :
Customer model :

22022516001182
KOCA30U-24HFN32

EX_ID	Spare Parts Code	Part Name(EN)	Qty.	Min Shipments	Part Status	Remarks	Long Term Material(Y or N)	High Rate of Replacement(Y or N)	Option Parts
1	11201007000039	Room temperature sensor	1	0	In use		N	Y	
2	12122000007150	Water collector	1		In use				
3	15822000008240	Condenser assembly	1		In use				
4	11201007000136	Pipe temperature sensor	1	0	In use		N	N	
6	12222000004823	Chassis assembly	1		In use				
7	12222000004785	Right side plate	1		In use				
8	12100701000015	Big handle assembly	1		In use				
11	12122000020242	Air outlet grille	1		In use				
12	12222000004822	Front panel	1		In use				
13	12100105000181	Axial flow fan	1		In use				
14	11002015008365	Brushless DC Motor	1		In use				
15	12222000004884	Supporter subassembly of fan motor	1		In use				
17	12222000009205	Top cover assembly	1		In use				
18	12222000004794	Left side plate assembly of cabinet	1		In use				
19	12222000004784	Partition board assembly	1		In use				
20	17222000028888	Electronic control box subassembly	1		In use				
20.1	12122300000044	Cover of electronic control box	1		In use				
20.2	17122000045713	Outdoor main control board subassembly	1		In use				
20.3	17122000026097	Inverter control board subassembly	1		In use				
20.3.1	11203803000856	Radiator	1		In use				
20.4	12122300000041	Support of electronic control box	1		In use				
21	17223000001936	Terminal board subassembly	1		In use				
21.1	12222000006044	Terminal board	1		In use				
21.2	17400401000032	Terminal	1		In use				
21.2	17400401000098	Terminal	1		In use				
22	15422000015623	Liquid valve assembly	1		In use				

22.1	15500208000286	Liquid valve	1		In use			
22.2	12222000002571	Valve plate	1		In use			
22.3	15500213000176	Electronic expansion valve body	1		In use			
23	15422000008172	4-way Valve Assembly	1		In use			
23.1	15500204000025	Gas valve	1		In use			
23.2	15500216000003	4-way valve	1	0	In use		N	Y
24	11103020000240	DC Inverter Rotary Compressor	1		In use			
26	11201007003124	Discharge Temperature Sensor	1		In use			
28	17400306000058	Reactor	1		In use			
29	15500406000003	Copper nut	1	0	In use		N	N
29	15500406000010	Copper nut	1	0	In use		N	N
99	17401203000939	Compressor wire subassembly	1		In use			