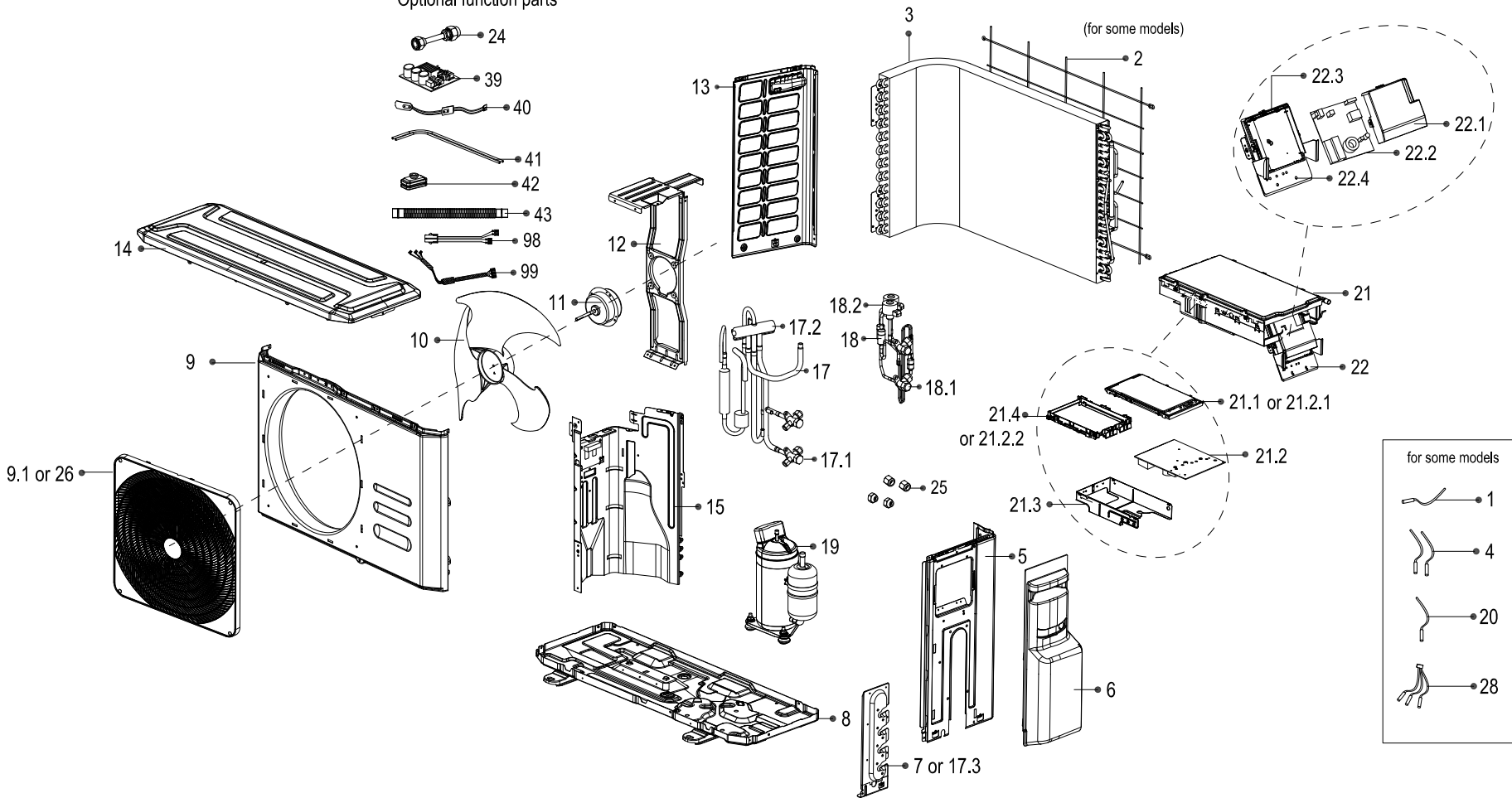


Optional function parts

- 24
- 39
- 40
- 41
- 42
- 43
- 98
- 99



- for some models
- 1
 - 4
 - 20
 - 28

Exploded View

Product code :
Customer model :

22022516001242
KOB30U-18HFN32

| EX_ID | Spare Parts Code | Part Name(EN) | Qty. | Min Shipments | Part Status | Remarks | Long Term Material(Y or N) | High Rate of Replacement(Y or N) | Option Parts |
|--------|------------------|--|------|---------------|-------------|---------|----------------------------|----------------------------------|--------------|
| 1 | 11201007000039 | Room temperature sensor | 1 | 0 | In use | | N | Y | |
| 3 | 15822000008263 | Condenser assembly | 1 | | In use | | | | |
| 4 | 11201007000136 | Pipe temperature sensor | 1 | 0 | In use | | N | N | |
| 5 | 12222000006565 | Right Side Plate | 1 | | In use | | | | |
| 6 | 12122000014223 | Shield | 1 | | In use | | | | |
| 8 | 12222000000711 | Chassis assembly | 1 | | In use | | | | |
| 9 | 12222000A02014 | Front panel assembly | 1 | | In use | | | | |
| 10 | 12100105000051 | Axial flow fan | 1 | 0 | In use | | N | Y | |
| 11 | 11002015006761 | Brushless DC Motor | 1 | | In use | | | | |
| 12 | 12222200002154 | Supporter subassembly of fan motor | 1 | | In use | | | | |
| 13 | 12222000008484 | Left side plate assembly of cabinet | 1 | | In use | | | | |
| 14 | 12222000002451 | Top cover assembly | 1 | | In use | | | | |
| 15 | 12222000002230 | Partition board | 1 | | In use | | | | |
| 17 | 15422000015252 | 4-way valve assembly | 1 | | In use | | | | |
| 17.1 | 15500204000058 | Gas valve | 1 | | In use | | | | |
| 17.2 | 15500216000026 | 4-way Valve | 1 | 0 | In use | | N | Y | |
| 17.3 | 12222000006566 | Valve plate | 1 | | In use | | | | |
| 18 | 15422000004932 | Liquid valve assembly | 1 | | In use | | | | |
| 18.1 | 15500208000028 | Liquid valve | 1 | | In use | | | | |
| 18.2 | 15500213000047 | Electronic expansion valve subassembly | 1 | | In use | | | | |
| 19 | 11103020000259 | DC Inverter Rotary Compressor | 1 | | In use | | | | |
| 20 | 11201007000005 | Discharge temperature sensor | 1 | 0 | In use | | N | Y | |
| 21 | 17222000015949 | Electronic control box subassembly | 1 | | In use | | | | |
| 21.2 | 17122000027112 | Outdoor main control board subassembly | 1 | | In use | | | | |
| 21.2.1 | 12222000001455 | Cover of electronic control box | 1 | | In use | | | | |
| 21.2.2 | 12122000006913 | Support of electronic control box | 1 | | In use | | | | |

| | | | | | | | | | |
|------|----------------|--------------------------------------|---|---|--------|--|---|---|--|
| 21.3 | 12222000008644 | Electric Installing Box Subassembly | 1 | | In use | | | | |
| 22 | 17222000015948 | Terminal board subassembly | 1 | | In use | | | | |
| 22.1 | 12122000014222 | Cover of electronic control box | 1 | | In use | | | | |
| 22.2 | 17122000027108 | Inverter control board subassembly | 1 | | In use | | | | |
| 22.3 | 12122000014221 | PCB BOX | 1 | | In use | | | | |
| 22.4 | 12222000006564 | Installation plate of electric parts | 1 | | In use | | | | |
| 25 | 15500406000012 | Copper nut | 1 | 0 | In use | | N | N | |
| 25 | 15500406000016 | Copper nut | 1 | 0 | In use | | N | N | |
| 26 | 12122000020241 | Air outlet grille | 1 | | In use | | | | |
| 99 | 17401203000802 | Compressor wire subassembly | 1 | | In use | | | | |