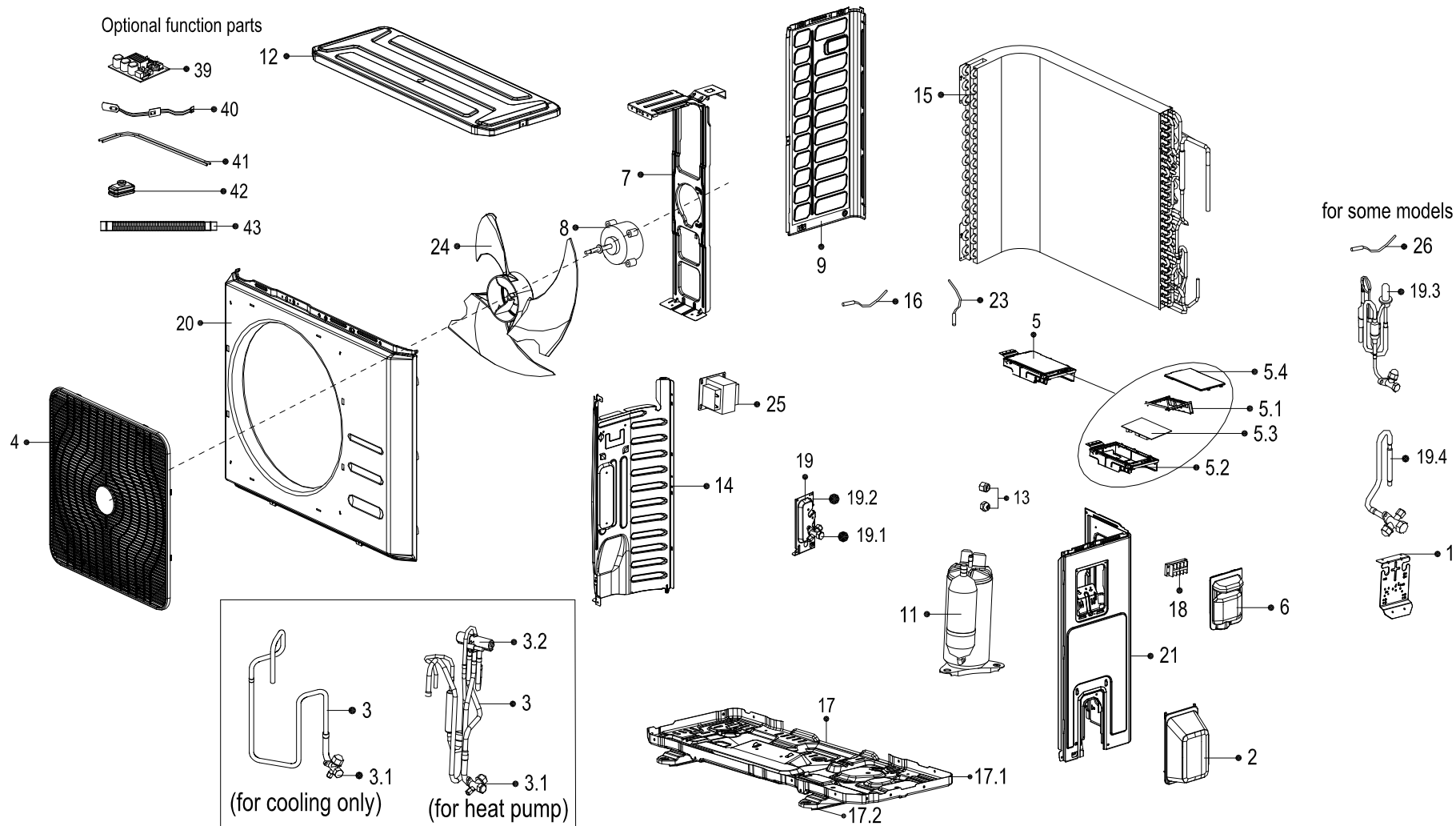
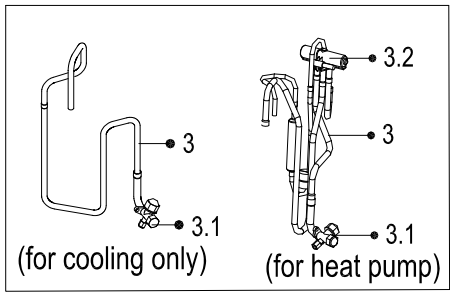


Optional function parts

- 39
- 40
- 41
- 42
- 43



for some models



Exploded View

Product code :
Customer model :

22022016005281
KWF-24HRDO

EX_ID	Spare Parts Code	Part Name(EN)	Qty.	Min Shipments	Part Status	Remarks	Long Term Material(Y or N)	High Rate of Replacement(Y or N)	Option Parts
1	12222000004782	Terminal instalation subassembly	1		In use				
2	12122000007150	Water collector	1		In use				
3	15422000004833	4-way valve assembly	1		In use				
3.1	15500204000025	Gas valve	1		In use				
3.2	15500216000026	4-way Valve	1	0	In use		N	Y	
4	12122000011758	Air outlet grille	1		In use				
5	17222000023691	Electronic control box subassembly	1		In use				
5.1	12122000014683	Support of electronic control box	1		In use				
5.2	12222000004827	Electronic installing box subassembly	1		In use				
5.3	17122000037398	Outdoor main control board subassembly	1		In use				
5.3.1	12122000006856	Electronic installing box subassembly	1	10	In use		N	N	N
6	12100701000015	Big handle assembly	1		In use				
7	12222000004884	Supporter subassembly of fan motor	1		In use				
8	11002015000397	Brushless DC Motor	1		In use				
9	12222000004794	Left side plate assembly of cabinet	1		In use				
11	11103020000179	DC Inverter rotary compressor	1		In use				
12	12222000009205	Top cover assembly	1		In use				
13	15500406000003	Copper nut	1	0	In use		N	N	
13	15500406000010	Copper nut	1	0	In use		N	N	
14	12222000004784	Partition board assembly	1		In use				
15	15822000004516	Condenser assembly	1		In use				
16	11201007002020	Room temperature sensor	1	10	In use		N	N	
17	12222000004823	Chassis assembly	1		In use				
18	17400401000016	Terminal	1		In use				
19	15422000004974	Liquid valve assembly	1		In use				

19.1	15500208000023	Liquid valve	1		In use			
19.2	12222000002571	Valve plate	1		In use			
20	12222000004822	Front panel	1		In use			
21	12222000004785	Right side plate	1		In use			
23	11201007000069	Pipe temperature sensor	1	0	In use		N	Y
24	12100105000181	Axial flow fan	1		In use			
25	17400306000058	Reactor	1		In use			
26	11201007000005	Discharge temperature sensor	1	0	In use		N	Y
99	17401203000939	Compressor wire subassembly	1		In use			