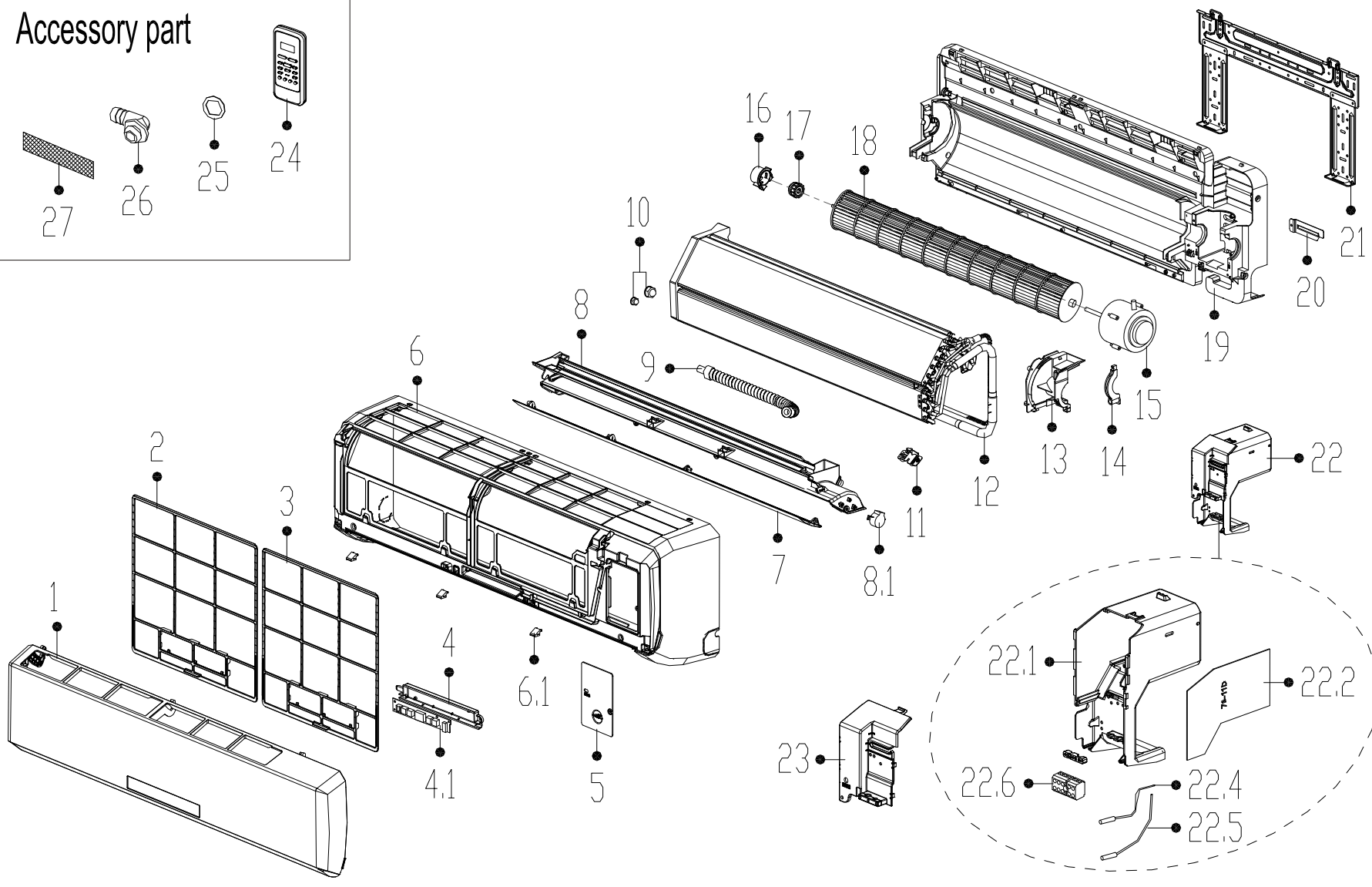


Accessory part



Exploded View

Product code :
Customer model :

22022011004338
KWF-24HRDI

EX_ID	Spare Parts Code	Part Name(EN)	Qty.	Min Shipments	Part Status	Remarks	Long Term Material(Y or N)	High Rate of Replacement(Y or N)	Option Parts
1	12122000A57989	Panel assembly	1		In use				
2	12100204000669	Air filter	1		In use				
3	12100204000658	Air filter	1		In use				
4	17222000A01170	Display box subassembly	1		In use				
4	17222000A07768	Display box subassembly	1		In use				
4.1	17122000006991	Display board subassembly	1		In use				
4.1	17122000A08632	Display board subassembly	1		In use				
5	12122000006693	Cover of electrical equipment	1	0	In use		N	N	
6	12122000001910	Panel frame assembly	1		In use				
6.1	12122000006272	Screw Cap	3		In use				
7	12122000006112	Horizontal louver	1		In use				
8	12122000005591	Air outlet frame assembly	1		In use				
8.1	11002010000015	stepper motor	1	0	In use		N	Y	
9	12100501000021	Drain hose	1		In use				
10	15500406000003	Copper nut	1	0	In use		N	N	
10	15500406000010	Copper nut	1	0	In use		N	N	
11	12100303000008	Fixed clamp of temperature sensor	1		In use				
12	15822000003687	Evaporator assembly	1		Abandon				
13	12122000005516	Fan motor cover	1		In use				
14	12122000006772	Fixing board of fan motor	1		In use				
15	11002015000094	Brushless DC Motor	1		In use				
16	12122000000350	Bearing holder	1	0	In use		N	N	
17	12622000000006	Bearing base	1	0	In use		N	N	
18	12100102000002	Cross flow fan	1	0	In use		N	Y	
19	12122000003943	Chassis Assembly	1		In use				
20	12222000000054	pipe clamp board	1	0	In use		N	N	
21	12222000000008	Installation plate	1	0	In use		N	N	
22	17222000009514	Electronic control box subassembly (Mid-and low-end)	1		In use				

22.1	12122000004598	Electronic control box	1		In use			
22.2	17122000018901	Main control board subassembly	1		In use			
22.4	11201007003425	Room temperature sensor	1		In use			
22.5	11201007000126	Pipe temperature sensor	1	10	In use		N	N
22.6	17400401000006	Terminal	1		In use			
23	12122000005046	Cover of electronic control box	1		In use			
24	17317000A41160	Remote controller	1		In use			
25	12600701000039	seal ring	1		In use			
26	12100509000061	Drain hose	1	0	In use		N	N
27	12100204000685	Air freshening filter	1	0	In use		N	Y