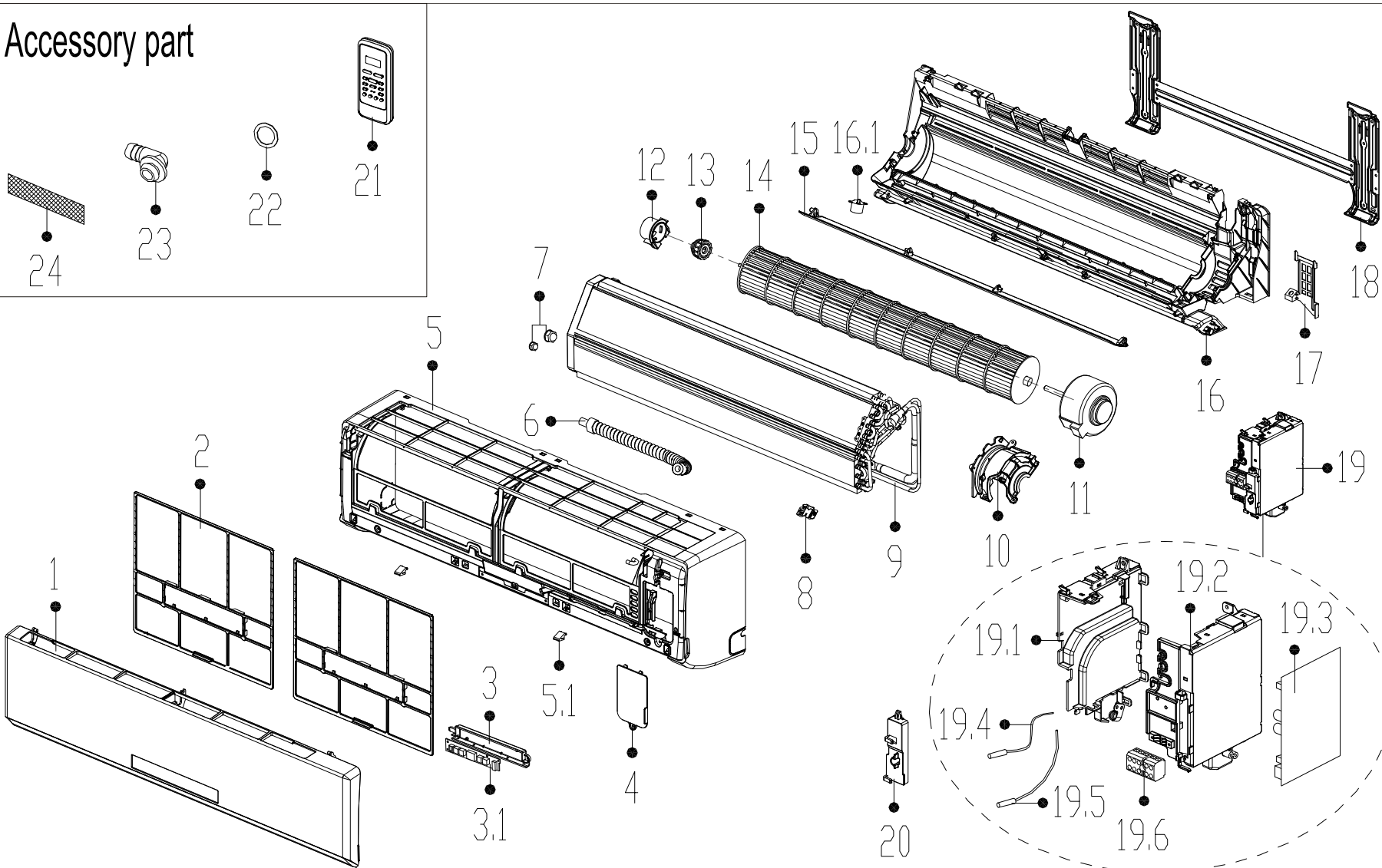
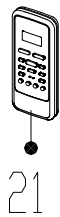
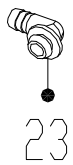
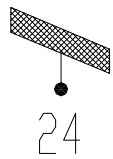
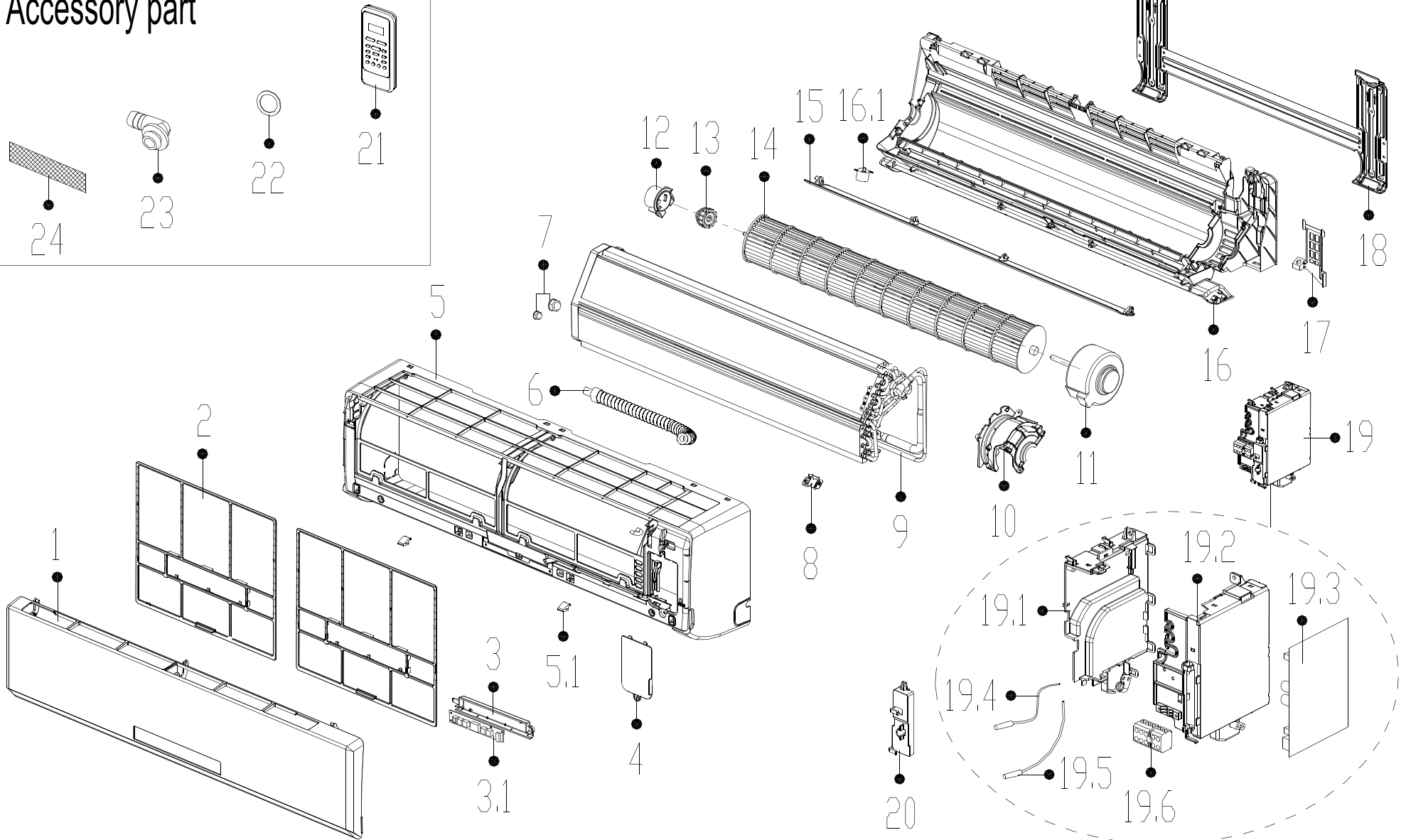


# Accessory part



# Accessory part



## Exploded View

Product code :  
Customer model :

22022011004339  
KWF-18HRDI

EX_ID	Spare Parts Code	Part Name(EN)	Qty.	Min Shipments	Part Status	Remarks	Long Term Material(Y or N)	High Rate of Replacement(Y or N)	Option Parts
1	12122000A57991	Panel assembly	1		In use				
2	12100204000667	Air filter	2		In use				
3	17222000A01170	Display box subassembly	1		In use				
3	17222000A07768	Display box subassembly	1		In use				
3.1	17122000006991	Display board subassembly	1		In use				
3.1	17122000A08632	Display board subassembly	1		In use				
4	12122000006694	Cover of electrical equipment	1	0	In use		N	N	
5	12122000001747	Panel frame assembly	1		In use				
5.1	12122000006272	Screw Cap	2		In use				
6	12100501000021	Drain hose	1		In use				
7	15500406000012	Copper nut	1	0	In use		N	N	
7	15500406000016	Copper nut	1	0	In use		N	N	
8	12100303000008	Fixed clamp of temperature sensor	1		In use				
9	15822000003736	Evaporator assembly	1		Abandon				
10	12122000008147	Fan motor cover	1		In use				
11	11002015000139	Brushless DC Motor	1		In use				
12	12122000000350	Bearing holder	1	0	In use		N	N	
13	12622000000006	Bearing base	1	0	In use		N	N	
14	12100102000072	Cross flow fan	1		Abandon				
15	12122000006245	Horizontal louver	1		In use				
16	12122000004388	Chassis Assembly	1		In use				
16.1	11002010000143	Stepper motor	1		In use				
17	12122000000445	pipe clamp board	1		In use				
18	12222000000011	Installation plate	1		In use				
19	17222000009512	Electronic control box subassembly (Mid-and low-end)	1		In use				
19.1	12122000004586	Electronic control box	1		In use				
19.2	12122000004565	Electronic control box	1		In use				
19.3	17122000018897	Main control board subassembly	1		In use				

19.4	11201007003424	Room temperature sensor	1		In use			
19.5	11201007000322	Pipe temperature sensor	1		In use			
19.6	17400401000094	Terminal	1		In use			
20	12122000004994	Cover of electronic control box	1		In use			
21	17317000A41160	Remote controller	1		In use			
22	12600701000039	seal ring	1		In use			
23	12100509000061	Drain hose	1	0	In use		N	N
24	12100204000685	Air freshening filter	1	0	In use		N	Y
45	12117000002114	Bracket of remote Controller	1		In use			