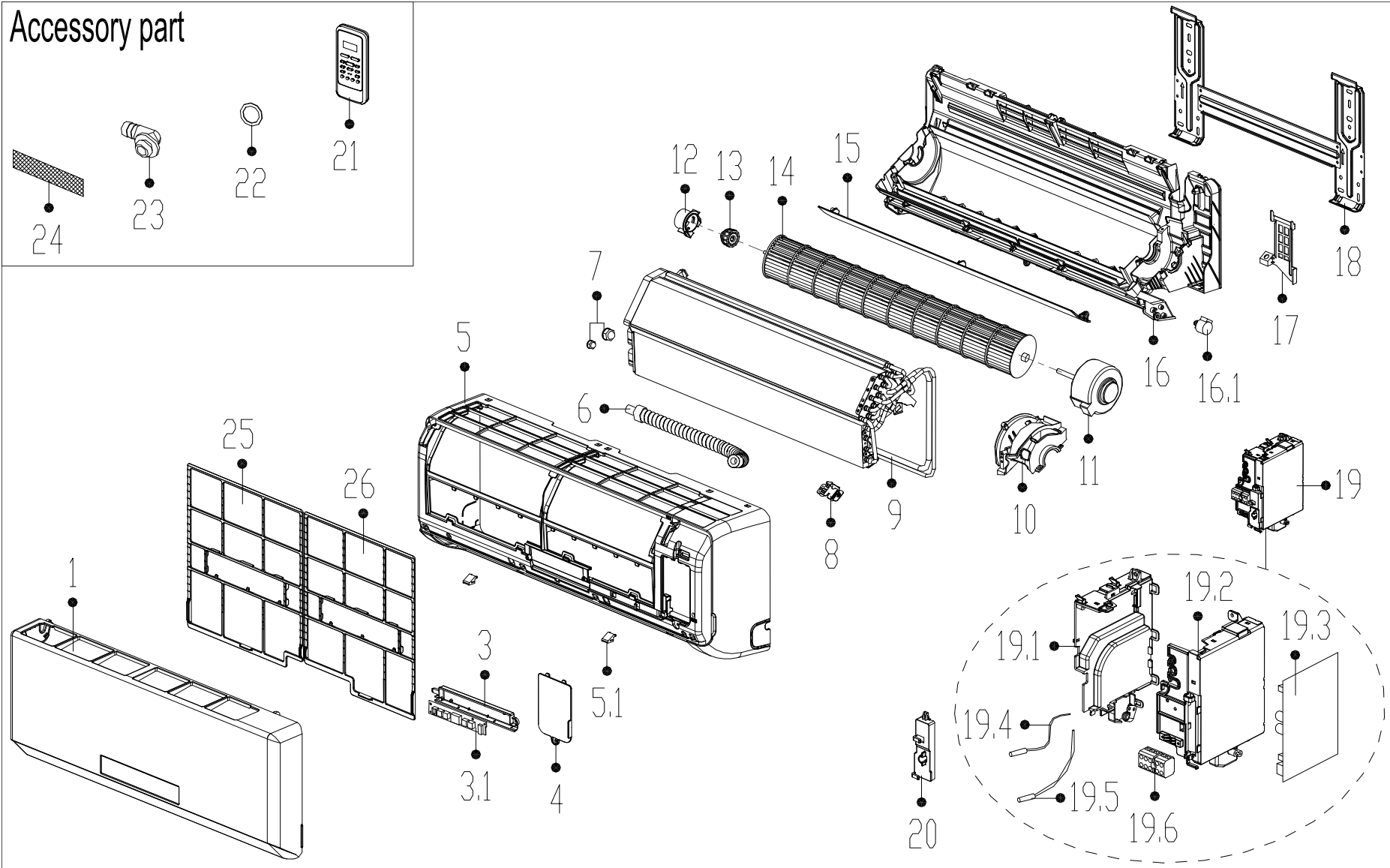
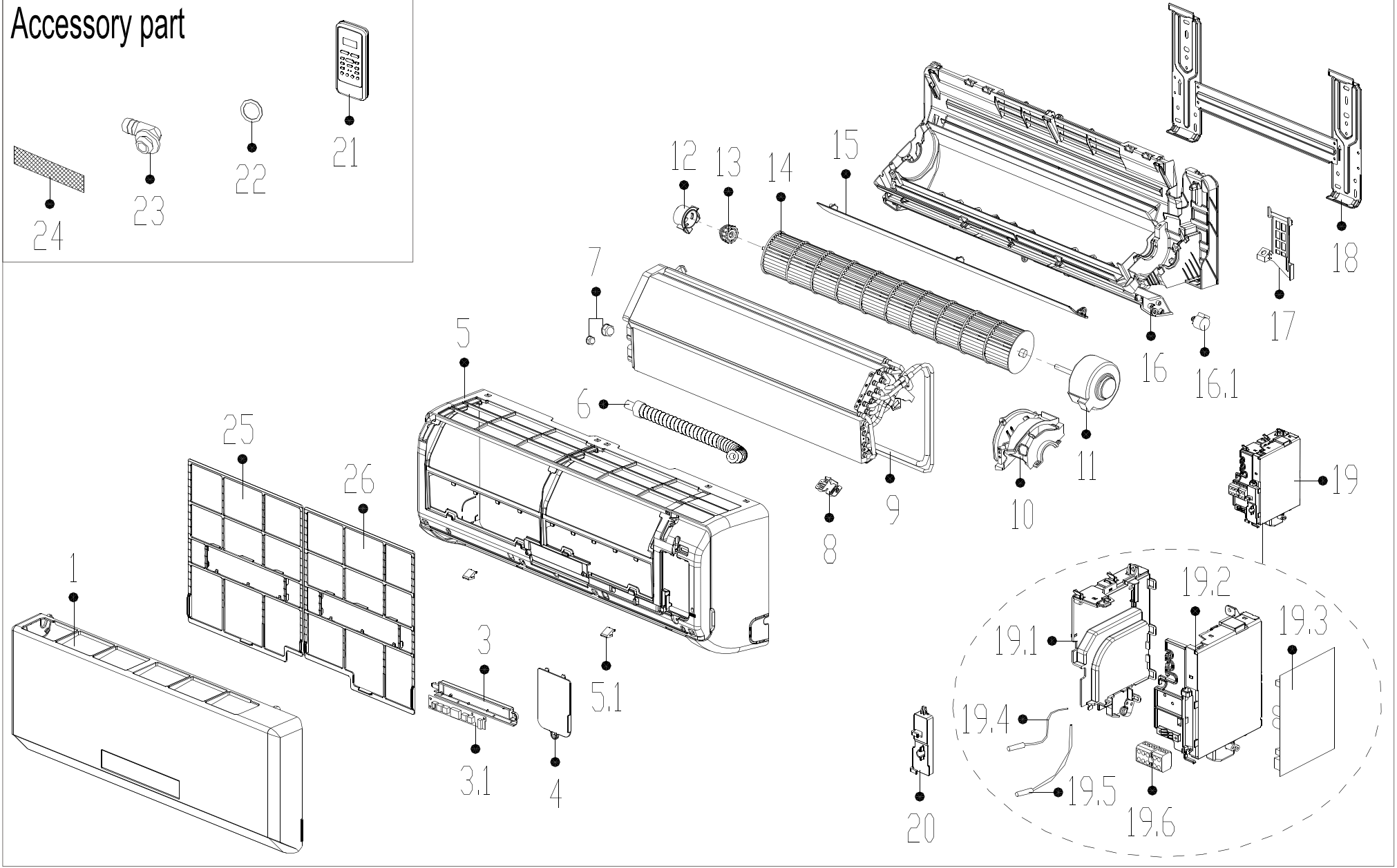


# Accessory part



# Accessory part



## Exploded View

Product code :  
Customer model :

22022011004358  
KWF-12HRDI

| EX_ID | Spare Parts Code | Part Name(EN)  | Qty. | Min Shipments | Part Status | Remarks | Long Term Material(Y or N) | High Rate of Replacement(Y or N) | Option Parts |
|-------|------------------|--|------|---------------|-------------|---------|----------------------------|----------------------------------|--------------|
| 1     | 12122000A57990   | Panel assembly                                       | 1    |               | In use      |         |                            |                                  |              |
| 2     | 12100204000633   | Air filter   | 1    |               | In use      |         |                            |                                  |              |
| 2     | 12100204000634   | Air filter   | 1    |               | In use      |         |                            |                                  |              |
| 3     | 17222000A01170   | Display box subassembly                              | 1    |               | In use      |         |                            |                                  |              |
| 3     | 17222000A07768   | Display box subassembly                              | 1    |               | In use      |         |                            |                                  |              |
| 3.1   | 17122000006991   | Display board subassembly                            | 1    |               | In use      |         |                            |                                  |              |
| 3.1   | 17122000A08632   | Display board subassembly                            | 1    |               | In use      |         |                            |                                  |              |
| 4     | 12122000006694   | Cover of electrical equipment                        | 1    | 0             | In use      |         | N                          | N                                |              |
| 5     | 12122000001749   | Panel frame assembly                                 | 1    |               | In use      |         |                            |                                  |              |
| 5.1   | 12122000006272   | Screw Cap  | 2    |               | In use      |         |                            |                                  |              |
| 6     | 12100501000021   | Drain hose   | 1    |               | In use      |         |                            |                                  |              |
| 7     | 15500406000010   | Copper nut   | 1    | 0             | In use      |         | N                          | N                                |              |
| 7     | 15500406000016   | Copper nut   | 1    | 0             | In use      |         | N                          | N                                |              |
| 8     | 12100303000008   | Fixed clamp of temperature sensor                    | 1    |               | In use      |         |                            |                                  |              |
| 9     | 15822000000383   | Evaporator assembly                                  | 1    |               | Abandon     |         |                            |                                  |              |
| 10    | 12122000005431   | Fan motor cover                                      | 1    |               | In use      |         |                            |                                  |              |
| 11    | 11002012019462   | Single phase asynchronous motor                      | 1    |               | In use      |         |                            |                                  |              |
| 12    | 12122000000350   | Bearing holder                                       | 1    | 0             | In use      |         | N                          | N                                |              |
| 13    | 12622000000006   | Bearing base   | 1    | 0             | In use      |         | N                          | N                                |              |
| 14    | 12100102000022   | Cross flow fan                                       | 1    |               | In use      |         |                            |                                  |              |
| 15    | 12122000005123   | Horizontal louver assembly                           | 1    |               | In use      |         |                            |                                  |              |
| 16    | 12122000004342   | Chassis Assembly                                     | 1    |               | In use      |         |                            |                                  |              |
| 16.1  | 11002010000143   | Stepper motor  | 1    |               | In use      |         |                            |                                  |              |
| 17    | 12122000000445   | pipe clamp board                                     | 1    |               | In use      |         |                            |                                  |              |
| 18    | 12222000000012   | Installation plate                                   | 1    |               | In use      |         |                            |                                  |              |
| 19    | 17222000009509   | Electronic control box subassembly (Mid-and low-end) | 1    |               | In use      |         |                            |                                  |              |
| 19.1  | 12122000004586   | Electronic control box                               | 1    |               | In use      |         |                            |                                  |              |
| 19.2  | 12122000004565   | Electronic control box                               | 1    |               | In use      |         |                            |                                  |              |

|      |                |                                 |   |   |        |  |   |   |  |
|------|----------------|---------------------------------|---|---|--------|--|---|---|--|
| 19.3 | 17122000018890 | Main control board subassembly  | 1 |   | In use |  |   |   |  |
| 19.4 | 11201007000221 | Room temperature sensor         | 1 | 0 | In use |  | N | Y |  |
| 19.4 | 11201007003424 | Room temperature sensor         | 1 |   | In use |  |   |   |  |
| 19.5 | 11201007000322 | Pipe temperature sensor         | 1 |   | In use |  |   |   |  |
| 19.6 | 17400401000094 | Terminal                        | 1 |   | In use |  |   |   |  |
| 20   | 12122000004994 | Cover of electronic control box | 1 |   | In use |  |   |   |  |
| 21   | 17317000A41160 | Remote controller               | 1 |   | In use |  |   |   |  |
| 22   | 12600701000039 | seal ring                       | 1 |   | In use |  |   |   |  |
| 23   | 12100509000061 | Drain hose                      | 1 | 0 | In use |  | N | N |  |
| 24   | 12100204000685 | Air freshening filter           | 1 | 0 | In use |  | N | Y |  |
| 45   | 12117000002114 | Bracket of remote Controller    | 1 |   | In use |  |   |   |  |