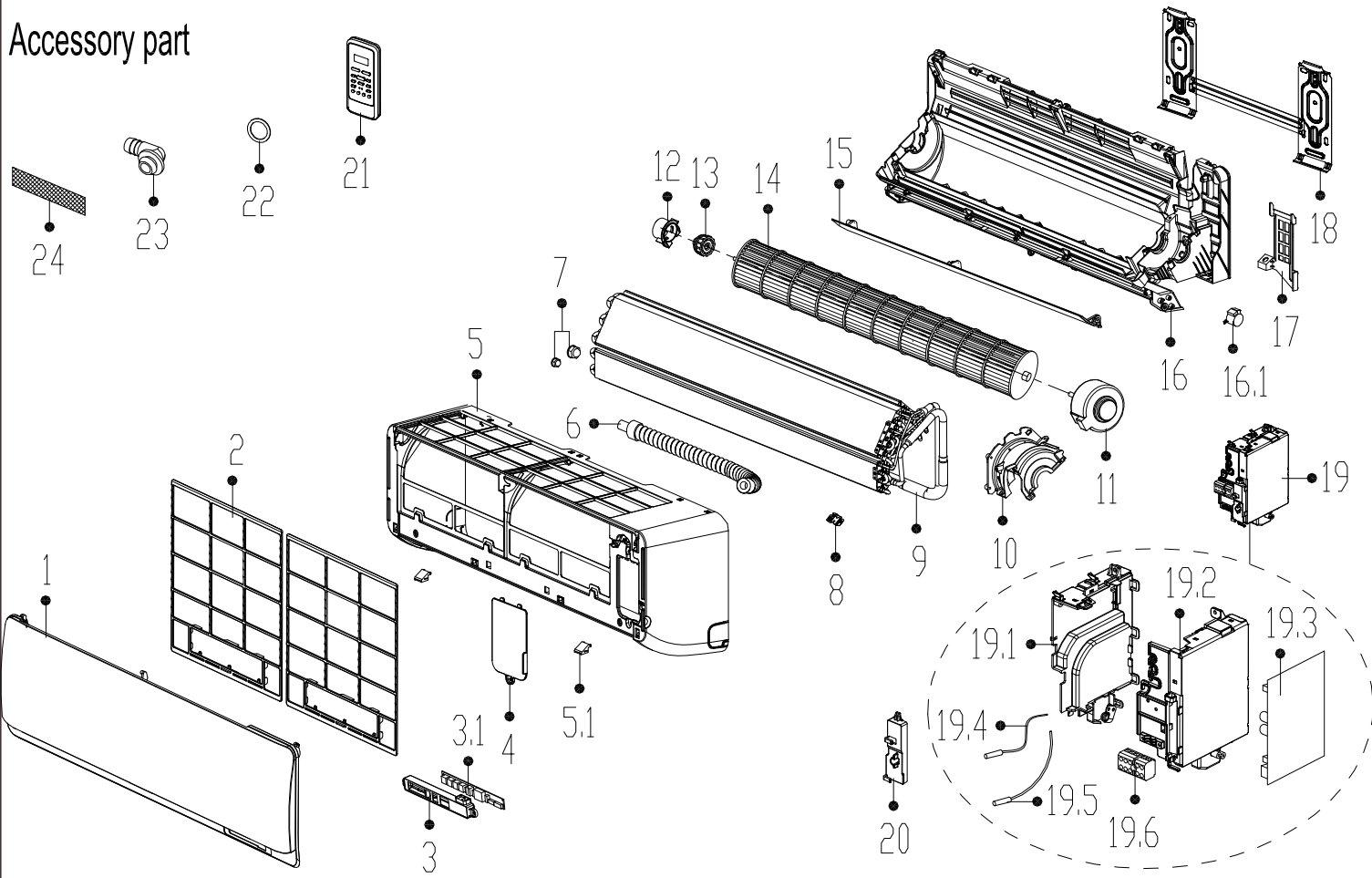


Accessory part



Optional part

- 40 ● Filter
- 41 ● Plasma
- 42 ● Detection valve
- 43 ● Ionizer generator
- 44 ● Enclosure of negative ion
- 45 ● Bracket of remote Controller
- 46 ● Pipe nut or copper nut
- 47 ● Indoor and Outdoor Junction Cable
- 48 ● Connecting Flexible Hose Subassembly
- 48.1 ●
- 49 ● Quick connecting pipe
- 50 ● Ionizer+ generator

Exploded View

Product code :
Customer model :

22022011003754
KS11M-12HRFI

EX_ID	Spare Parts Code	Part Name(EN)	Qty.	Min Shipments	Part Status	Remarks	Long Term Material(Y or N)	High Rate of Replacement(Y or N)	Option Parts
1	12122000A58119	Panel assembly	1		Abandon				
2	12100204000626	Air filter	2		In use				
3	17222000A00927	Display box subassembly	1		In use				
3	17222000A01170	Display box subassembly	1		In use				
3.1	17122000A01985	Display board subassembly	1		In use				
3.1	17122000006991	Display board subassembly	1		In use				
4	12122000006694	Cover of electrical equipment	1	0	In use		N	N	
5	12122000001983	Panel frame assembly	1		In use				
5.1	12122000006272	Screw Cap	2		In use				
6	12100501000032	Drain hose	1	10	In use		N	N	N
7	15500406000010	Copper nut	1	0	In use		N	N	
7	15500406000016	Copper nut	1	0	In use		N	N	
8	12100303000008	Fixed clamp of temperature sensor	1		In use				
9	15822000003700	Evaporator assembly	1		Abandon				
10	12122000005431	Fan motor cover	1		In use				
11	11002015000051	Brushless DC Motor	1	0	In use		N	Y	
12	12122000000350	Bearing holder	1	0	In use		N	N	
13	12622000000006	Bearing base	1	0	In use		N	N	
14	12100102000074	Cross flow fan	1	0	In use		N	Y	
15	12122000005101	Horizontal louver assembly	1		In use				
16	12122000007921	Chassis assembly	1		In use				
16.1	11002010000143	Stepper motor	1		In use				
17	12122000000445	pipe clamp board	1		In use				
18	12222000000012	Installation plate	1		In use				
19	17222000008411	Electronic control box subassembly (Mid-and low-end)	1		In use				
19.1	12122000004586	Electronic control box	1		In use				
19.3	17122000017138	Main control board subassembly	1		In use				
19.4	11201007003424	Room temperature sensor	1		In use				

19.5	11201007000001	Pipe temperature sensor	1	0	In use		N	Y	
19.6	17400401000094	Terminal	1		In use				
20	12122000004994	Cover of electronic control box	1		In use				
21	17317000A41160	Remote controller	1		Abandon				
22	12600701000039	seal ring	1		In use				
23	12100509000061	Drain hose	1	0	In use		N	N	
24	12100204000685	Air freshening filter	1	0	In use		N	Y	
25	17222000A01170	Display box subassembly	1		In use				
25.1	17122000006991	Display board subassembly	1		In use				