

AIR CONDITIONER

Wall mounted type

DESIGN & TECHNICAL MANUAL

INDOOR



ASYG09LZCA
ASYG12LZCA
ASYG14LZCA

OUTDOOR



AOYG09LZCAN
AOYG12LZCAN
AOYG14LZCAN

FUJITSU GENERAL LIMITED

Notices:

- Product specifications and design are subject to change without notice for future improvement.
- For further details, please check with our authorized dealer.

CONTENTS

Part 1. INDOOR UNIT	1
1. Product features	2
1-1. Model lineup	2
1-2. Features	2
2. Remote controller	4
2-1. Wireless remote controller	4
3. Specifications	8
4. Dimensions	10
4-1. Models: ASYG09LZCA, ASYG12LZCA, and ASYG14LZCA	10
5. Wiring diagrams	12
5-1. Models: ASYG09LZCA, ASYG12LZCA, and ASYG14LZCA	12
6. Capacity table	13
6-1. Cooling capacity	13
6-2. Heating capacity	15
7. Fan performance	16
7-1. Air velocity distributions	16
7-2. Airflow	18
8. Operation noise (sound pressure)	20
8-1. Noise level curve	20
8-2. Sound level check point	22
9. Safety devices	23
10. External input and output	24
10-1.External input	24
10-2.External output	26
11. Function settings	28
11-1.Function settings by using remote controller	29
11-2.Custom code setting for wireless remote controller	33
11-3.Switching the temperature unit of remote controller	34
12. Accessories	35
13. Optional parts	36
13-1.Controllers	36
13-2.Others	36

CONTENTS (continued)

Part 2. OUTDOOR UNIT 37

1. Specifications	38
2. Dimensions	39
2-1. Models: AOYG09LZCAN, AOYG12LZCAN, and AOYG14LZCAN	39
3. Installation space	40
3-1. Models: AOYG09LZCAN, AOYG12LZCAN, and AOYG14LZCAN	40
4. Refrigerant circuit	43
4-1. Models: AOYG09LZCAN and AOYG12LZCAN	43
4-2. Model: AOYG14LZCAN	44
5. Wiring diagrams	45
5-1. Models: AOYG09LZCAN and AOYG12LZCAN	45
5-2. Model: AOYG14LZCAN	46
6. Capacity compensation rate for pipe length and height difference .	47
6-1. Models: AOYG09LZCAN and AOYG12LZCAN	47
6-2. Model: AOYG14LZCAN	48
7. Additional charge calculation	49
7-1. Models: AOYG09LZCAN and AOYG12LZCAN	49
7-2. Model: AOYG14LZCAN	49
8. Airflow	50
8-1. Model: AOYG09LZCAN	50
8-2. Model: AOYG12LZCAN	50
8-3. Model: AOYG14LZCAN	50
9. Operation noise (sound pressure)	51
9-1. Noise level curve	51
9-2. Sound level check point	53
10. Electrical characteristics	54
11. Safety devices	55
12. Accessories	56

Part 1. INDOOR UNIT

WALL MOUNTED TYPE:

ASYG09LZCA

ASYG12LZCA

ASYG14LZCA

1. Product features

Implemented core technology provides easy-to-use product operations that realize a comfortable space.

1-1. Model lineup



ASYG09LZCA
ASYG12LZCA
ASYG14LZCA



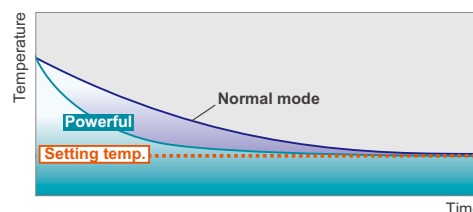
AOYG09LZCAN
AOYG12LZCAN
AOYG14LZCAN

1-2. Features

■ Powerful operation

20 minutes continuous operation by maximum airflow and maximum compressor speed is possible. Rapid cooling and heating makes the room comfortable quickly.

Example: Cooling operation



■ Energy saving control by using human sensor

Implemented human sensor detects the presence or absence of human in a room by sensing movement of occupants, and suppress both of the air conditioner operation and energy consumption.



2. Remote controller

2-1. Wireless remote controller

■ Features



- 5-mode timer setup (on, off, weekly, program, and sleep) available.
- Easy operation.
- Easy to change custom code (max. 4 custom code).
- Can be used jointly with wired remote controllers.

● Simple function setting

Setting of the air conditioner selection function is performed by remote controller.

● Weekly timer

Weekly timer can be easily set by wireless remote controller.

On and off can be set up to 4 times in a day, and up to 28 times in a week.

● Program timer

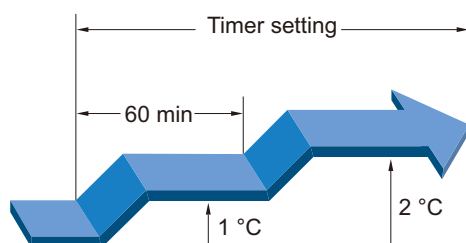
The program timer operates the on and off timer once within a 24-hour period.

● Sleep timer

The sleep timer function automatically corrects the temperature thermostat setting according to the time setting to prevent excessive cooling and heating while sleeping.

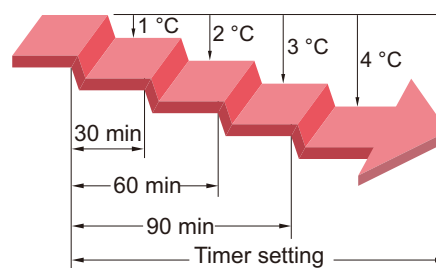
Cooling operation/Dry operation

When the sleep timer is set, the set temperature automatically rises 1 °C every hour. The set temperature can rise up to a maximum of 2 °C.



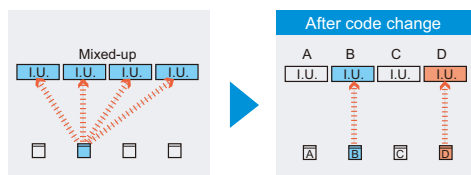
Heating operation

When the sleep timer is set, the set temperature automatically drops 1 °C every 30 minutes. The set temperature can drop to a maximum of 4 °C.



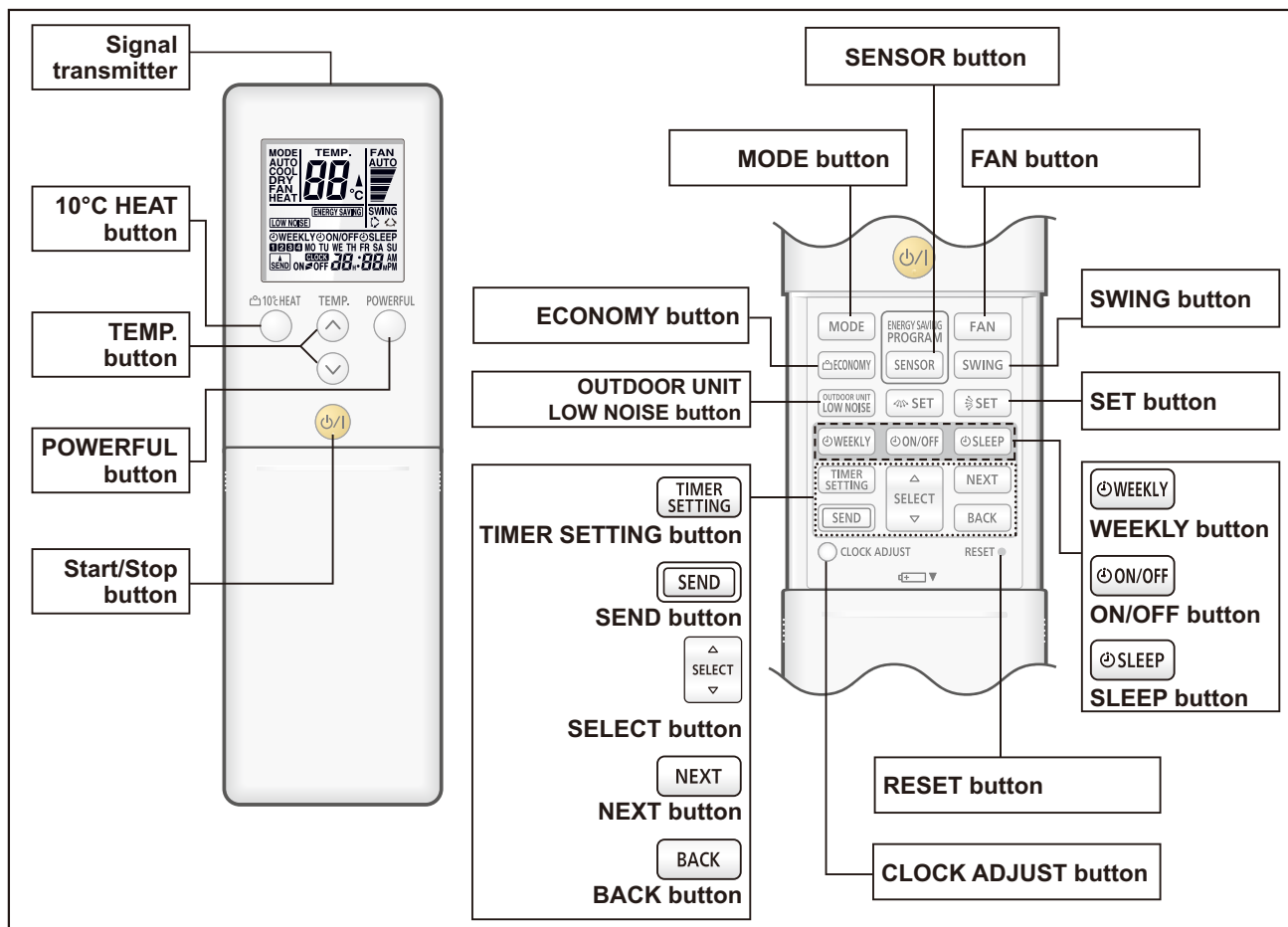
● Switching remote controller custom code

Code selector switch eliminates unit being wrongly switched. (Up to 4 codes can be set.)



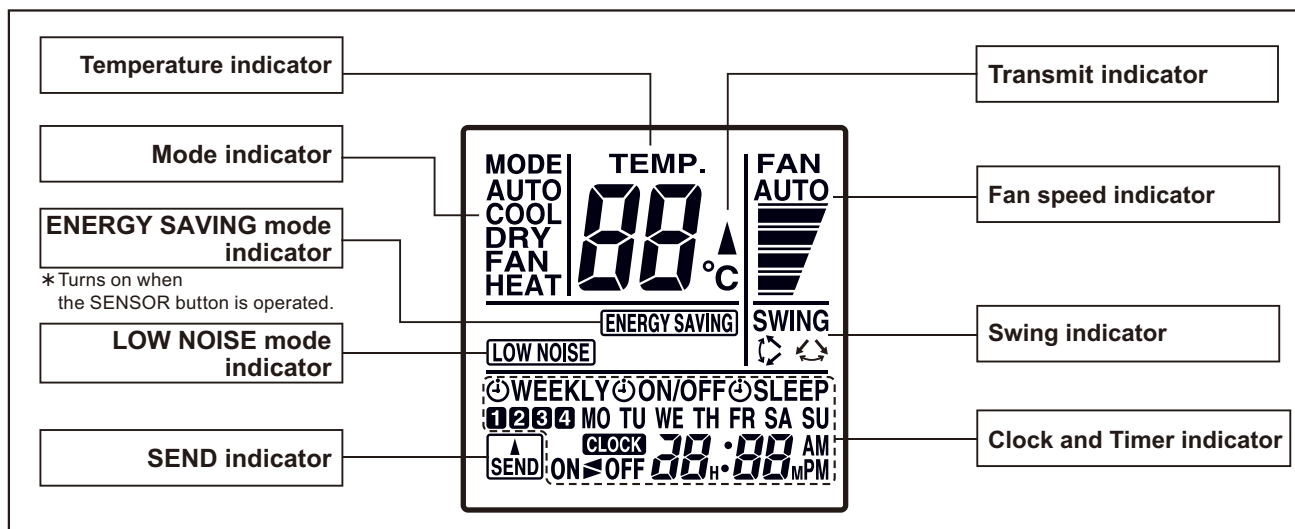
* I.U.: Indoor unit

Overview



NOTE: Functions may differ by type of the indoor unit. For details, refer to the operation manual.

Display panel

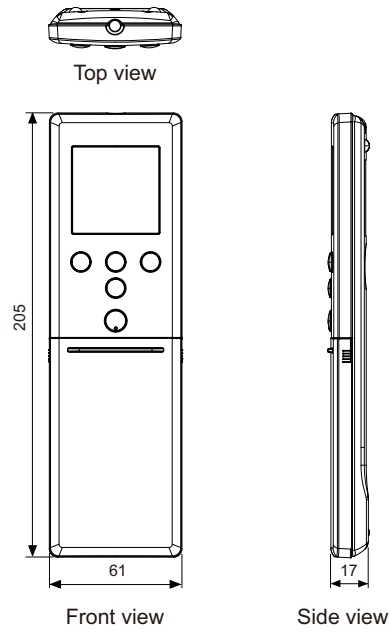


To facilitate explanation, the accompanying illustration has been drawn to show all possible indicators; in actual operation, however, the display will only show those indicators appropriate to the current operation.

■ Specifications

● Controller

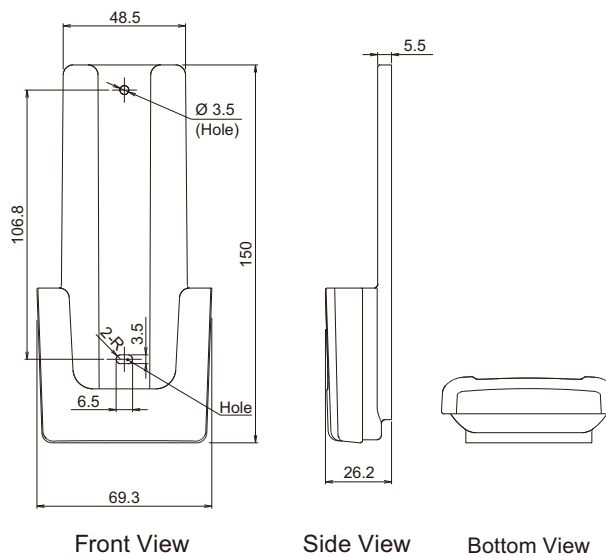
Unit: mm



Size (H × W × D)	mm	205 × 61 × 17
Weight	g	122 (without batteries)

● Holder

Unit: mm



Size (H × W × D)	mm	150 × 69.3 × 26.2
Weight	g	27

3. Specifications

Type				Wall mounted		
				Inverter heat pump		
Model name				ASYG09LZCA	ASYG12LZCA	ASYG14LZCA
Power supply				230 V ~ 50 Hz		
Available voltage range				198—264 V		
Capacity	Cooling	Rated	kW	2.50	3.50	4.20
			Btu/h	8,500	11,900	14,300
		Min.—Max.	kW	0.90—4.65	0.90—4.80	0.90—6.40
	Heating	Rated	Btu/h	3,100—15,800	3,100—16,300	3,100—21,800
			kW	3.20	4.00	5.40
			Btu/h	10,900	13,600	18,400
Min.—Max.		kW	0.90—7.20	0.90—7.40	0.90—8.90	
		Btu/h	3,100—24,500	3,100—25,200	3,100—30,300	
		kW	0.48	0.80	1.05	
Input power	Cooling	Max.	kW	0.85	0.99	1.56
		Rated	kW	0.555	0.76	1.17
	Heating	Max.	kW	1.93	1.94	2.19
		Rated	kW	2.9	3.9	5.3
	Fan	HIGH	W	23	23	32
				13	13	20
		MED	9	9	12	
			5	5	6	
		QUIET	2.7	4.0	4.8	
Current	Cooling	Rated	A	2.7	4.0	4.8
			Heating	2.9	3.9	5.3
EER	Cooling	kW/kW	5.21	4.38	4.00	
COP	Heating		5.77	5.26	4.62	
Power factor	Cooling	%	77	87	95	
	Heating		83	85	96	
Moisture removal			L/h (pints/h)	1.0 (2.1)	1.1 (2.3)	1.7 (3.6)
Maximum operating current *1			Cooling	9.4	9.4	9.9
			Heating	11.9	11.9	14.9
Fan	Airflow rate	Cooling	HIGH	830		900
			MED	680		780
			LOW	580		630
			QUIET	380		440
		Heating	HIGH	830		900
			MED	680		780
			LOW	580		630
			QUIET	380		500
	Type × Q'ty			Cross flow fan × 1		
	Motor output			W	61	
Sound pressure level *2	Cooling	HIGH	42		45	
		MED	37		40	
		LOW	32		34	
		QUIET	23		26	
	Heating	HIGH	41		44	
		MED	35		39	
		LOW	31		33	
		QUIET	23		27	
Heat exchanger type	Dimensions (H × W × D)		mm	Main: 384 × 720 × 30 Sub 1: 84 × 720 × 13.3 Sub 2: 126 × 720 × 13.3		
	Fin pitch			Main: 1.2, Sub 1 and Sub 2: 1.4		
	Rows × Stages			Main: 3 × 24, Sub 1: 1 × 4, Sub 2: 1 × 6		
	Pipe type			Copper tube		
	Fin type			Aluminum		
Enclosure	Material		Polystyrene			
	Color		White Approximate color of MUNSELL 5PB 9.25/0.5			
Dimensions (H × W × D)	Net		mm	295 × 940 × 270		
	Gross			365 × 1,040 × 355		
Weight	Net		kg	14		
	Gross			17		
Connection pipe	Size	Liquid	mm (in)	Ø 6.35 (Ø 1/4)		
		Gas		Ø 9.52 (Ø 3/8)	Ø 12.7 (Ø 1/2)	
	Method		Flare			
Drain hose	Material		PP+LLDPF			
	Size		Ø 13.8 (I.D.), Ø 15.8 to Ø 16.7 (O.D.)			
Operation range	Cooling	°C	18 to 32			
		%RH	80 or less			
	Heating	°C	16 to 30			
Remote controller type				Wireless (Wired [option])		

NOTES:

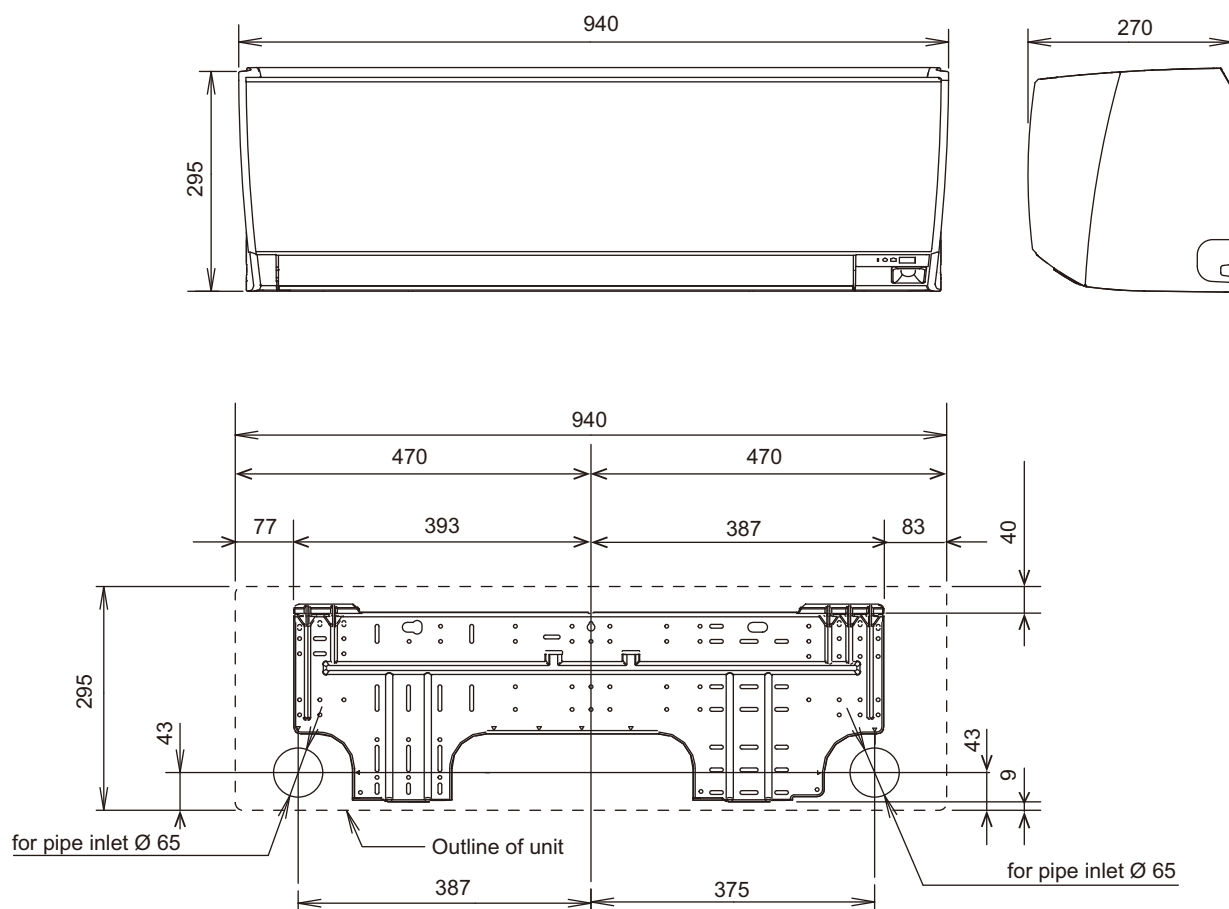
- Specifications are based on the following conditions:
 - Cooling: Indoor temperature of 27 °CDB/ 19 °CWB, and outdoor temperature of 35 °CDB/ 24 °CWB.
 - Heating: Indoor temperature of 20 °CDB/ 15 °CWB, and outdoor temperature of 7 °CDB/ 6 °CWB.
 - Pipe length: 5 m, Height difference: 0 m. (Between outdoor unit and indoor unit.)
- Protective function might work when using it outside the operation range.
- *1: Maximum current is maximum value when operated within the operation range.
- *2: Sound pressure level:
 - Measured values in manufacturer's anechoic chamber.
 - Because of the surrounding sound environment, the sound levels measured in actual installation conditions might be higher than the specified values here.

Model name		ASYG09LZCA	ASYG12LZCA	ASYG14LZCA		
Energy efficiency class	Cooling	A ⁺⁺⁺	A ⁺⁺⁺	A ⁺⁺		
	Heating (Average)	A ⁺⁺⁺	A ⁺⁺	A ⁺		
P _{design}	Cooling	kW	2.5 (35 °C)	3.5 (35 °C)	4.2 (35 °C)	
	Heating (Average)		2.5 (-10 °C)	3.5 (-10 °C)	4.2 (-10 °C)	
SEER	Cooling	kWh/kWh	9.51	8.60	7.92	
SCOP	Heating (Average)		5.31	4.93	4.44	
Annual energy consumption	QCE	kWh/a	92	142	186	
	QHE (Average)		659	993	1322	
Sound power level	Cooling	HIGH	dB (A)	56	56	59
	Heating			56	56	59

4. Dimensions

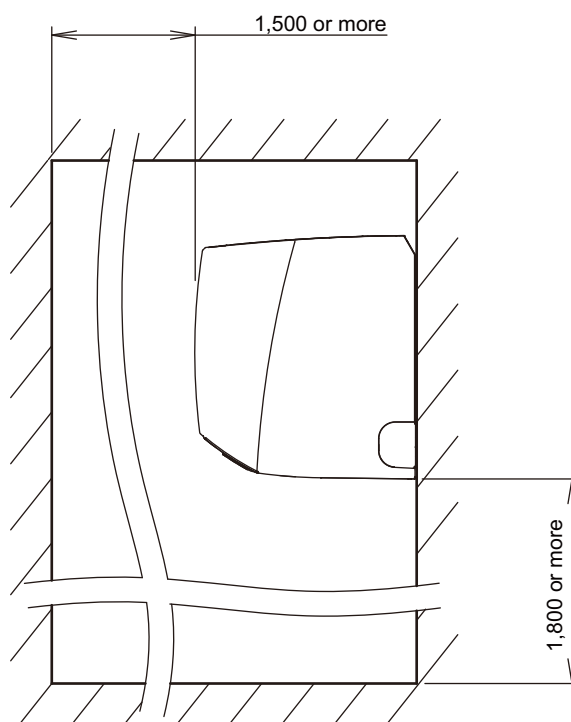
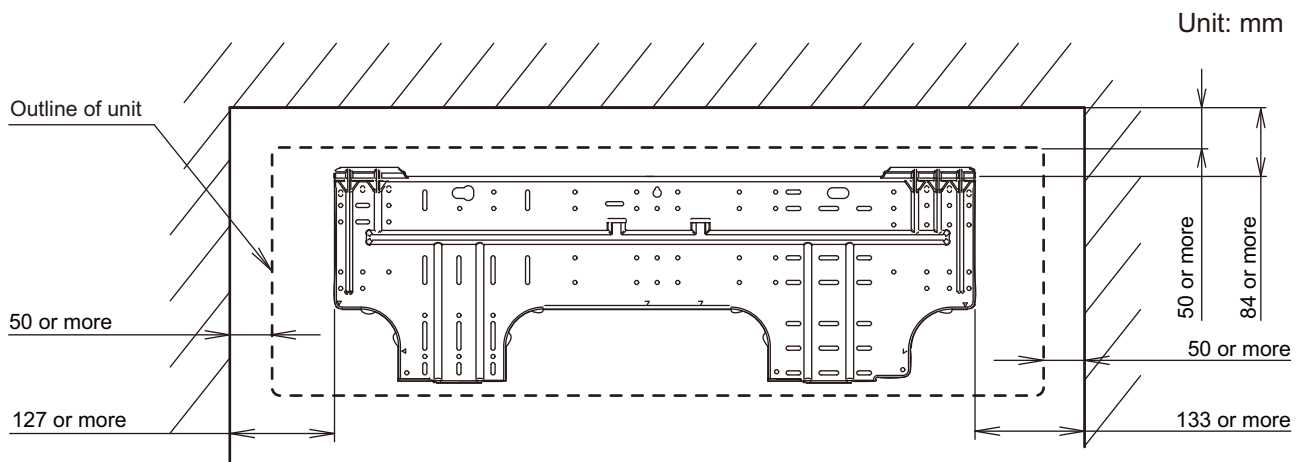
4-1. Models: ASYG09LZCA, ASYG12LZCA, and ASYG14LZCA

Unit: mm



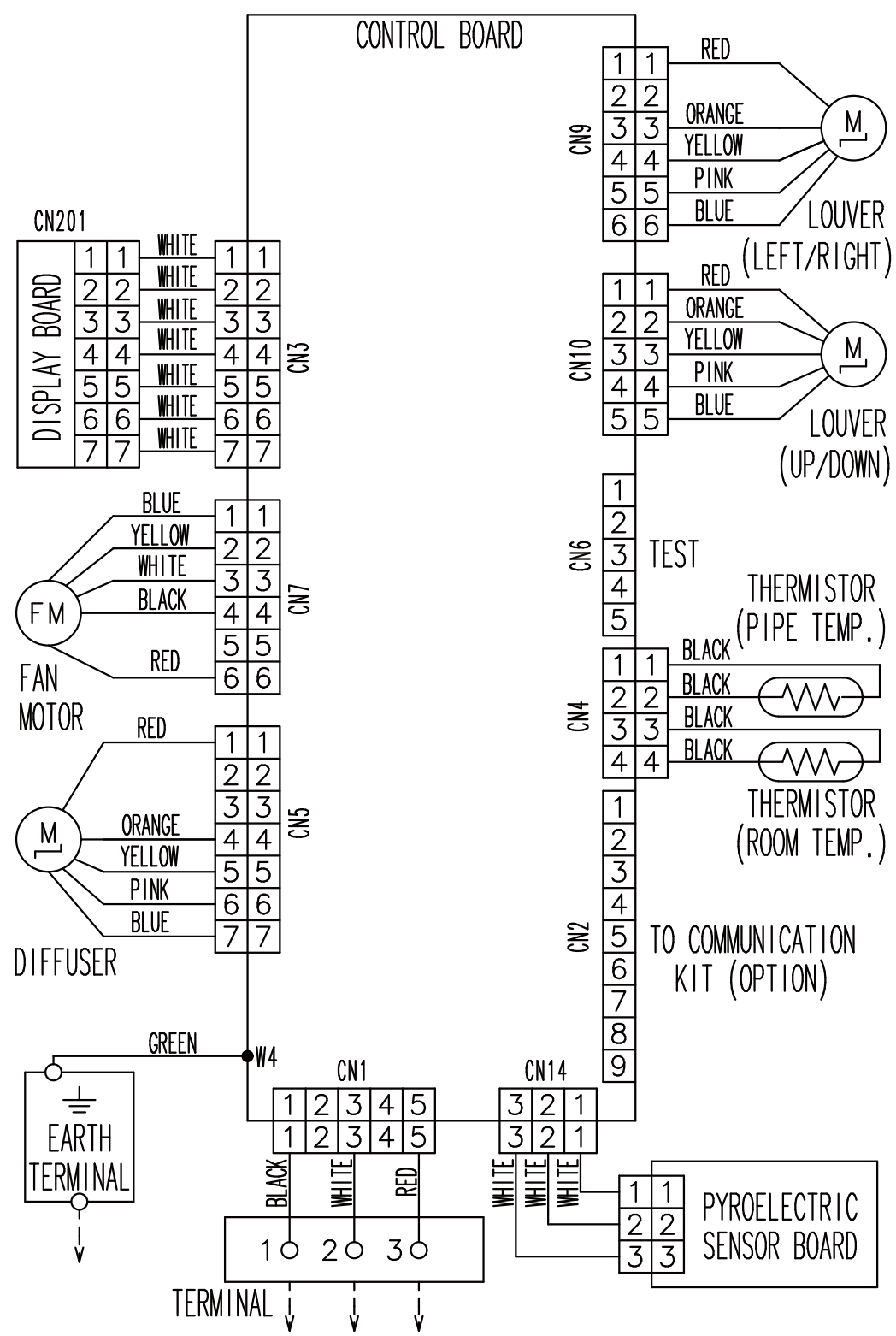
■ Installation space requirement

Provide sufficient installation space for product safety.



5. Wiring diagrams

5-1. Models: ASYG09LZCA, ASYG12LZCA, and ASYG14LZCA



6. Capacity table

Capacity tables show each of following values calculated based on the outdoor temperature and the indoor temperature, under given Airflow Rate (AFR):

For cooling capacity: Total Capacity (TC), Sensible Heat Capacity (SHC), and Input Power (IP)

For heating capacity: Total Capacity (TC) and Input Power (IP)

6-1. Cooling capacity

■ Model: ASYG09LZCA

AFR	m ³ /h	830
-----	-------------------	-----

		Indoor temperature																							
		18			21			23			25			27			29			32					
		°CDB			°CWB			°CDB			°CWB			°CDB			°CWB			°CDB			°CWB		
Outdoor temperature	°CDB	TC	SHC	IP	TC	SHC	IP	TC	SHC	IP	TC	SHC	IP	TC	SHC	IP	TC	SHC	IP	TC	SHC	IP	TC	SHC	IP
	°CWB	kW			kW			kW			kW			kW			kW			kW			kW		
	-10.0	2.31	2.27	0.19	2.58	2.28	0.19	2.71	2.38	0.19	2.85	2.49	0.20	2.93	2.68	0.19	3.10	2.67	0.19	3.28	2.76	0.20	3.28	2.76	0.20
	-5.0	2.27	2.21	0.21	2.53	2.22	0.21	2.66	2.32	0.21	2.79	2.43	0.22	2.87	2.62	0.22	3.04	2.61	0.22	3.21	2.70	0.22	3.21	2.70	0.22
	0.0	2.22	2.16	0.22	2.47	2.18	0.22	2.60	2.28	0.22	2.73	2.37	0.23	2.81	2.57	0.22	2.97	2.56	0.22	3.14	2.65	0.23	3.14	2.65	0.23
	5.0	2.17	2.13	0.23	2.42	2.14	0.23	2.55	2.24	0.23	2.67	2.33	0.24	2.75	2.52	0.23	2.91	2.50	0.23	3.08	2.60	0.24	3.08	2.60	0.24
	10.0	2.12	2.07	0.21	2.36	2.08	0.21	2.49	2.18	0.22	2.61	2.27	0.23	2.69	2.46	0.22	2.84	2.44	0.22	3.01	2.54	0.23	3.01	2.54	0.23
	15.0	2.07	2.04	0.26	2.31	2.04	0.26	2.43	2.14	0.26	2.55	2.22	0.27	2.63	2.41	0.26	2.78	2.39	0.26	2.94	2.49	0.27	2.94	2.49	0.27
	20.0	2.34	2.29	0.33	2.61	2.30	0.33	2.70	2.40	0.34	2.87	2.51	0.34	2.96	2.71	0.34	3.14	2.70	0.34	3.32	2.77	0.35	3.32	2.77	0.35
	25.0	2.22	2.17	0.38	2.48	2.18	0.38	2.56	2.28	0.38	2.73	2.39	0.39	2.81	2.57	0.39	2.98	2.56	0.39	3.15	2.63	0.39	3.15	2.63	0.39
	30.0	2.10	2.05	0.42	2.34	2.07	0.42	2.42	2.16	0.42	2.58	2.25	0.43	2.66	2.43	0.43	2.82	2.43	0.44	2.98	2.48	0.44	2.98	2.48	0.44
	35.0	1.98	1.93	0.46	2.20	1.94	0.47	2.28	2.03	0.47	2.43	2.12	0.48	2.50	2.29	0.48	2.65	2.28	0.49	2.80	2.33	0.49	2.80	2.33	0.49
40.0	1.76	1.59	0.43	1.96	1.73	0.44	2.03	1.81	0.44	2.16	1.88	0.45	2.23	2.04	0.45	2.36	2.03	0.45	2.50	2.08	0.45	2.50	2.08	0.45	
46.0	1.51	1.50	0.43	1.69	1.60	0.44	1.74	1.68	0.44	1.85	1.75	0.45	1.92	1.89	0.45	2.03	1.88	0.45	2.13	1.93	0.45	2.13	1.93	0.45	

■ Model: ASYG12LZCA

AFR	m ³ /h	830
-----	-------------------	-----

		Indoor temperature																							
		18			21			23			25			27			29			32					
		°CDB			°CWB			°CDB			°CWB			°CDB			°CWB			°CDB			°CWB		
Outdoor temperature	°CDB	TC	SHC	IP	TC	SHC	IP	TC	SHC	IP	TC	SHC	IP	TC	SHC	IP	TC	SHC	IP	TC	SHC	IP	TC	SHC	IP
	°CWB	kW			kW			kW			kW			kW			kW			kW			kW		
	-10.0	3.02	2.85	0.28	3.36	2.86	0.28	3.54	3.00	0.29	3.77	3.18	0.29	3.83	3.38	0.29	4.05	3.35	0.29	4.28	3.57	0.30	4.28	3.57	0.30
	-5.0	2.99	2.82	0.33	3.34	2.83	0.33	3.51	2.97	0.34	3.74	3.14	0.34	3.80	3.34	0.34	4.02	3.32	0.34	4.25	3.54	0.35	4.25	3.54	0.35
	0.0	2.97	2.80	0.37	3.31	2.81	0.37	3.49	2.94	0.37	3.71	3.12	0.38	3.77	3.32	0.38	3.99	3.30	0.38	4.22	3.52	0.39	4.22	3.52	0.39
	5.0	2.95	2.78	0.39	3.29	2.80	0.39	3.46	2.92	0.40	3.68	3.10	0.40	3.74	3.30	0.41	3.96	3.28	0.41	4.19	3.49	0.42	4.19	3.49	0.42
	10.0	2.93	2.75	0.40	3.26	2.77	0.40	3.43	2.90	0.41	3.65	3.07	0.41	3.71	3.26	0.41	3.93	3.25	0.41	4.15	3.47	0.43	4.15	3.47	0.43
	15.0	2.90	2.74	0.42	3.24	2.76	0.42	3.40	2.88	0.42	3.62	3.05	0.43	3.68	3.24	0.43	3.90	3.23	0.43	4.12	3.44	0.44	4.12	3.44	0.44
	20.0	3.28	3.09	0.55	3.65	3.11	0.56	3.77	3.25	0.56	4.02	3.44	0.57	4.15	3.66	0.57	4.40	3.64	0.57	4.64	3.88	0.58	4.64	3.88	0.58
	25.0	3.12	2.93	0.63	3.47	2.95	0.63	3.59	3.09	0.64	3.83	3.27	0.64	3.95	3.48	0.64	4.18	3.46	0.65	4.42	3.68	0.66	4.42	3.68	0.66
	30.0	2.95	2.77	0.70	3.28	2.78	0.71	3.40	2.91	0.71	3.62	3.09	0.71	3.73	3.28	0.72	3.96	3.27	0.73	4.18	3.49	0.74	4.18	3.49	0.74
	35.0	2.77	2.61	0.77	3.08	2.62	0.78	3.19	2.74	0.79	3.40	2.90	0.80	3.50	3.09	0.80	3.71	3.08	0.81	3.92	3.27	0.82	3.92	3.27	0.82
40.0	2.34	2.33	0.72	2.60	2.34	0.73	2.69	2.44	0.74	2.87	2.58	0.74	2.96	2.75	0.74	3.14	2.74	0.75	3.31	2.92	0.76	3.31	2.92	0.76	
46.0	1.98	1.97	0.72	2.22	2.10	0.73	2.29	2.20	0.74	2.43	2.32	0.74	2.50	2.48	0.74	2.66	2.47	0.75	2.81	2.63	0.76	2.81	2.63	0.76	

Model: ASYG14LZCA

AFR	m ³ /h	900
-----	-------------------	-----

		Indoor temperature																																																					
		18			21			23			25			27			29			32																																			
°CDB		12									16									18									19									21									23								
°CWB		TC			SHC			IP			TC			SHC			IP			TC			SHC			IP			TC			SHC			IP			TC			SHC			IP											
°CDB		kW			kW			kW			kW			kW			kW			kW			kW			kW			kW			kW			kW			kW																	
Outdoor temperature	-10.0	3.69	2.91	0.36	4.11	3.24	0.37	4.32	3.26	0.37	4.53	3.57	0.39	4.67	3.68	0.37	4.94	3.89	0.38	5.22	4.12	0.39																																	
	-5.0	3.63	2.85	0.39	4.04	3.18	0.40	4.25	3.20	0.40	4.46	3.50	0.42	4.59	3.61	0.41	4.86	3.82	0.41	5.14	4.04	0.42																																	
	0.0	3.57	2.81	0.41	3.98	3.13	0.41	4.18	3.16	0.41	4.39	3.46	0.43	4.52	3.56	0.42	4.79	3.77	0.42	5.06	3.99	0.43																																	
	5.0	3.52	2.77	0.41	3.92	3.09	0.42	4.12	3.11	0.42	4.32	3.40	0.44	4.45	3.51	0.43	4.71	3.71	0.43	4.98	3.93	0.44																																	
	10.0	3.46	2.72	0.43	3.85	3.03	0.43	4.05	3.06	0.43	4.25	3.34	0.45	4.38	3.45	0.44	4.64	3.65	0.44	4.90	3.86	0.45																																	
	15.0	3.40	2.67	0.45	3.79	2.98	0.46	3.98	3.00	0.46	4.18	3.28	0.48	4.31	3.38	0.47	4.56	3.59	0.47	4.82	3.79	0.48																																	
	20.0	3.91	3.29	0.73	4.35	3.31	0.75	4.50	3.46	0.75	4.80	3.60	0.75	4.95	3.90	0.75	5.24	3.87	0.76	5.54	4.14	0.76																																	
	25.0	3.72	3.13	0.82	4.15	3.15	0.83	4.29	3.29	0.84	4.57	3.44	0.85	4.71	3.71	0.85	5.00	3.70	0.86	5.28	3.94	0.86																																	
	30.0	3.53	2.97	0.92	3.93	2.99	0.93	4.07	3.12	0.94	4.34	3.26	0.95	4.47	3.52	0.95	4.74	3.51	0.96	5.01	3.74	0.96																																	
	35.0	3.32	2.79	1.02	3.70	2.81	1.03	3.82	2.94	1.04	4.07	3.06	1.04	4.20	3.31	1.05	4.45	3.29	1.06	4.70	3.51	1.06																																	
40.0	2.92	2.45	1.00	3.25	2.46	1.02	3.36	2.58	1.02	3.58	2.69	1.03	3.69	2.90	1.03	3.91	2.89	1.04	4.13	3.08	1.05																																		
46.0	2.42	2.24	0.98	2.70	2.25	1.00	2.79	2.35	1.00	2.97	2.45	1.02	3.06	2.64	1.02	3.24	2.63	1.03	3.44	2.81	1.02																																		

6-2. Heating capacity

■ Model: ASYG09LZCA

AFR	m ³ /h	830
-----	-------------------	-----

			Indoor temperature									
			16		18		20		22		24	
			TC	IP	TC	IP	TC	IP	TC	IP	TC	IP
Outdoor temperature	°CDB	°CWB	kW		kW		kW		kW		kW	
	-25	-26	3.53	2.15	3.44	2.19	3.36	2.23	3.27	2.32	3.19	2.36
	-20	-21	4.45	2.16	4.34	2.20	4.24	2.24	4.13	2.33	4.02	2.38
	-15	-16	4.88	2.17	4.77	2.21	4.65	2.25	4.53	2.34	4.42	2.39
	-10	-11	5.19	2.13	5.07	2.17	4.95	2.22	4.82	2.30	4.70	2.35
	-5	-7	5.50	2.10	5.37	2.14	5.24	2.18	5.11	2.27	4.98	2.31
	0	-2	5.65	2.06	5.52	2.10	5.38	2.14	5.25	2.23	5.11	2.27
	5	3	6.97	1.88	6.81	1.92	6.64	1.95	6.47	2.03	6.31	2.07
	7	6	7.55	1.85	7.38	1.89	7.20	1.93	7.02	2.01	6.84	2.05
	10	8	8.35	1.84	8.15	1.88	7.95	1.91	7.75	1.99	7.55	2.03
	15	10	8.65	1.63	8.45	1.67	8.24	1.70	8.03	1.77	7.83	1.80
	20	15	8.97	1.45	8.75	1.48	8.54	1.51	8.33	1.57	8.11	1.60
24	18	9.29	1.29	9.07	1.32	8.85	1.34	8.63	1.40	8.41	1.43	

■ Model: ASYG12LZCA

AFR	m ³ /h	830
-----	-------------------	-----

			Indoor temperature									
			16		18		20		22		24	
			TC	IP	TC	IP	TC	IP	TC	IP	TC	IP
Outdoor temperature	°CDB	°CWB	kW		kW		kW		kW		kW	
	-25	-26	3.75	2.15	3.66	2.19	3.57	2.23	3.39	2.32	3.30	2.36
	-20	-21	4.79	2.16	4.67	2.20	4.56	2.24	4.33	2.33	4.22	2.38
	-15	-16	5.11	2.17	4.99	2.21	4.87	2.25	4.63	2.34	4.50	2.39
	-10	-11	5.55	2.13	5.42	2.18	5.29	2.22	5.03	2.31	4.89	2.35
	-5	-7	6.00	2.10	5.85	2.14	5.71	2.18	5.42	2.27	5.28	2.31
	0	-2	6.17	2.07	6.02	2.11	5.87	2.15	5.58	2.23	5.43	2.28
	5	3	7.52	1.88	7.34	1.92	7.16	1.96	6.80	2.04	6.62	2.08
	7	6	7.77	1.86	7.58	1.90	7.40	1.94	7.03	2.02	6.84	2.06
	10	8	8.58	1.85	8.38	1.89	8.18	1.93	7.77	2.00	7.56	2.04
	15	10	8.90	1.64	8.68	1.68	8.47	1.71	8.05	1.78	7.84	1.81
	20	15	9.22	1.46	9.00	1.49	8.78	1.52	8.34	1.58	8.12	1.61
24	18	9.55	1.30	9.32	1.33	9.10	1.35	8.64	1.41	8.41	1.43	

■ Model: ASYG14LZCA

AFR	m ³ /h	900
-----	-------------------	-----

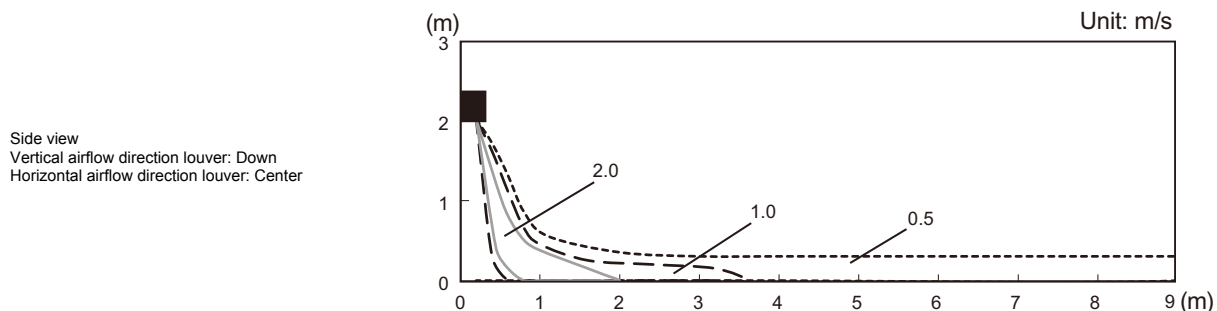
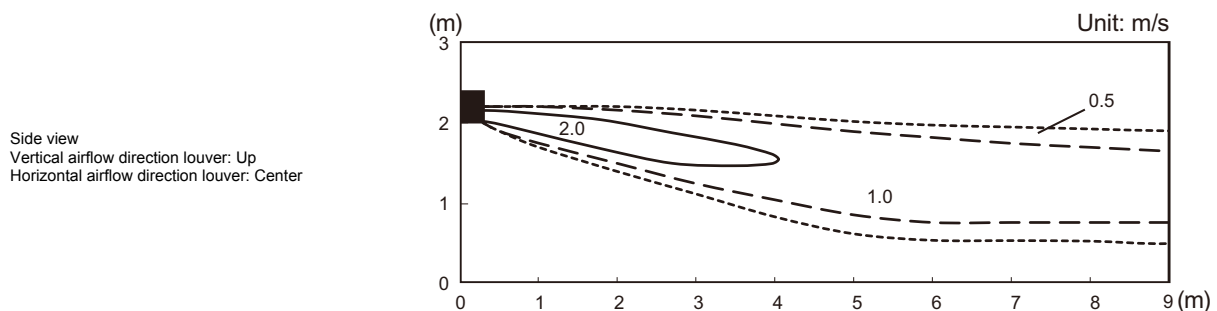
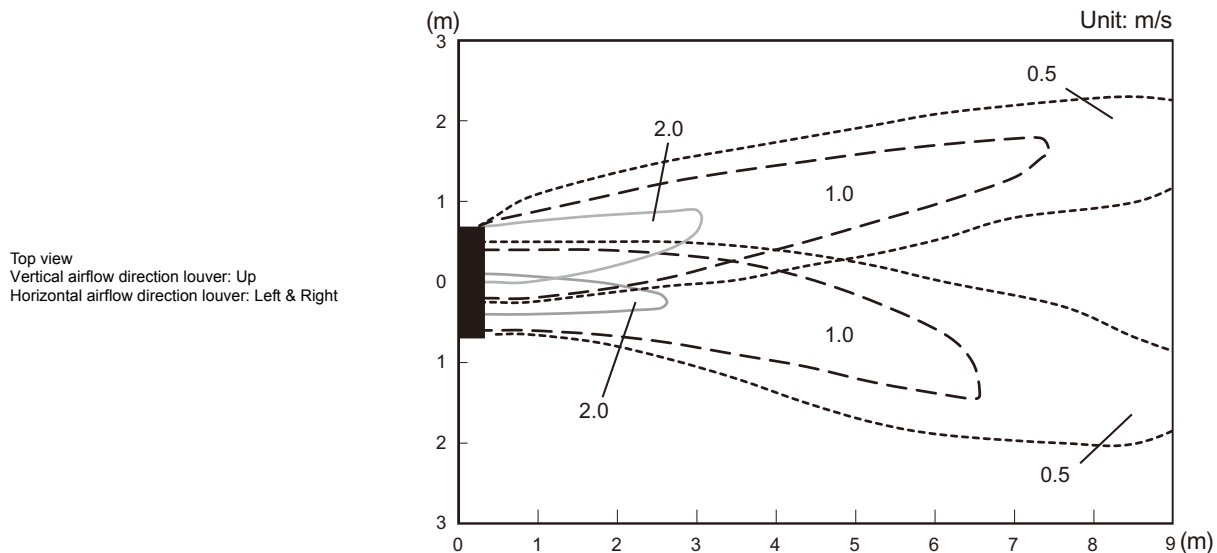
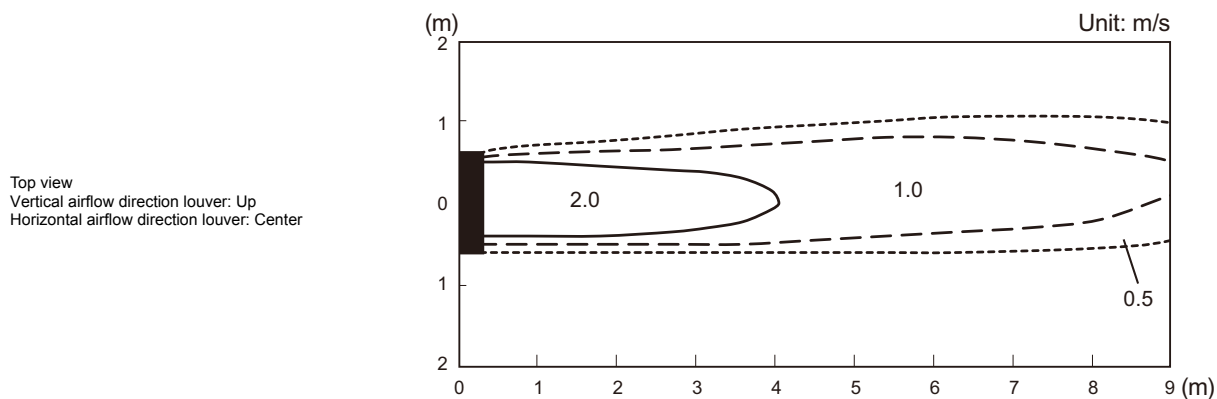
			Indoor temperature									
			16		18		20		22		24	
			TC	IP	TC	IP	TC	IP	TC	IP	TC	IP
Outdoor temperature	°CDB	°CWB	kW		kW		kW		kW		kW	
	-25	-26	5.07	2.92	4.95	2.97	4.83	3.03	4.58	3.15	4.46	3.21
	-20	-21	5.80	2.93	5.66	2.99	5.52	3.04	5.25	3.16	5.11	3.22
	-15	-16	6.53	2.94	6.38	3.00	6.22	3.05	5.91	3.18	5.75	3.24
	-10	-11	7.41	2.83	7.24	2.88	7.06	2.93	6.71	3.05	6.53	3.11
	-5	-7	8.30	2.71	8.10	2.76	7.90	2.81	7.51	2.92	7.31	2.98
	0	-2	8.93	2.60	8.72	2.64	8.51	2.69	8.08	2.80	7.87	2.85
	5	3	9.18	2.18	8.96	2.22	8.74	2.27	8.30	2.36	8.09	2.41
	7	6	9.34	2.10	9.12	2.15	8.90	2.19	8.45	2.28	8.23	2.32
	10	8	9.72	1.97	9.49	2.01	9.26	2.05	8.80	2.13	8.57	2.17
	15	10	10.12	1.75	9.88	1.79	9.64	1.82	9.16	1.89	8.91	1.93
	20	15	10.53	1.55	10.28	1.59	10.03	1.62	9.53	1.68	9.28	1.72
24	18	10.96	1.38	10.70	1.41	10.44	1.44	9.92	1.50	9.66	1.53	

7. Fan performance

7-1. Air velocity distributions

■ Models: ASYG09LZCA and ASYG12LZCA

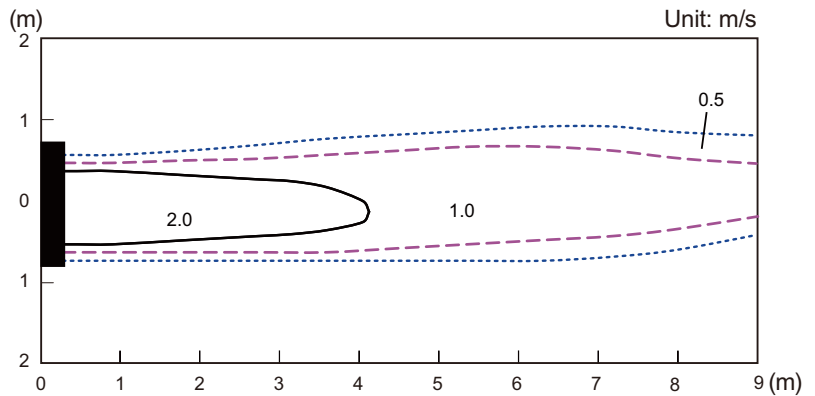
Measuring conditions	Fan speed	Operation mode
	HIGH	FAN



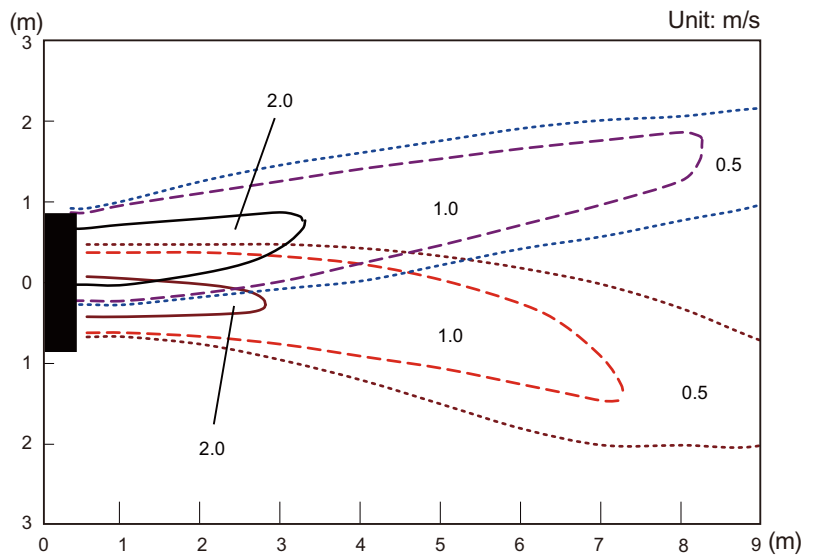
Model: ASYG14LZCA

Measuring conditions	Fan speed	Operation mode
	HIGH	FAN

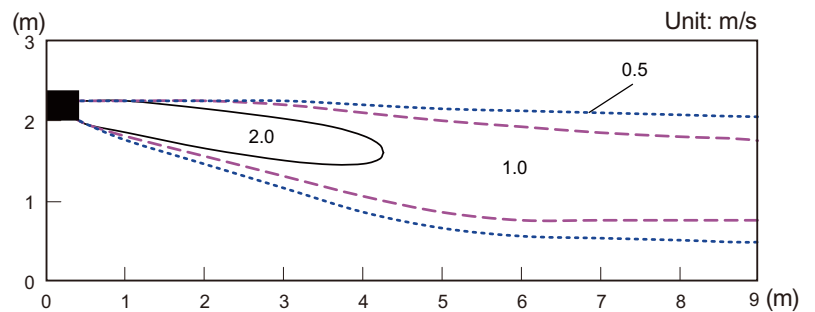
Top view
Vertical airflow direction louver: Up
Horizontal airflow direction louver: Center



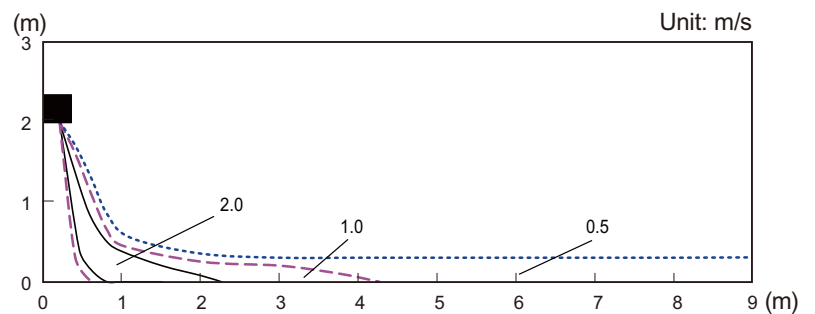
Top view
Vertical airflow direction louver: Up
Horizontal airflow direction louver: Left & Right



Side view
Vertical airflow direction louver: Up
Horizontal airflow direction louver: Center



Side view
Vertical airflow direction louver: Down
Horizontal airflow direction louver: Center



7-2. Airflow

■ Models: ASYG09LZCA and ASYG12LZCA

● Cooling

Fan speed	Airflow	
HIGH	m ³ /h	830
	l/s	231
	CFM	489
MED	m ³ /h	680
	l/s	189
	CFM	400
LOW	m ³ /h	580
	l/s	161
	CFM	341
QUIET	m ³ /h	380
	l/s	106
	CFM	224

● Heating

Fan speed	Airflow	
HIGH	m ³ /h	830
	l/s	231
	CFM	489
MED	m ³ /h	680
	l/s	189
	CFM	400
LOW	m ³ /h	580
	l/s	161
	CFM	341
QUIET	m ³ /h	380
	l/s	106
	CFM	224

■ Model: ASYG14LZCA

● Cooling

Fan speed	Airflow	
HIGH	m ³ /h	900
	l/s	250
	CFM	530
MED	m ³ /h	780
	l/s	217
	CFM	459
LOW	m ³ /h	630
	l/s	175
	CFM	371
QUIET	m ³ /h	440
	l/s	122
	CFM	259

● Heating

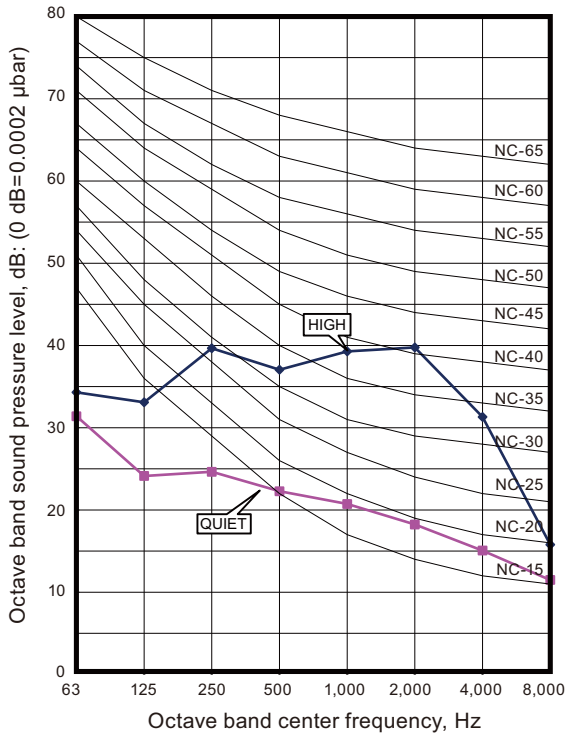
Fan speed	Airflow	
HIGH	m ³ /h	900
	l/s	250
	CFM	530
MED	m ³ /h	780
	l/s	217
	CFM	459
LOW	m ³ /h	630
	l/s	175
	CFM	371
QUIET	m ³ /h	500
	l/s	139
	CFM	294

8. Operation noise (sound pressure)

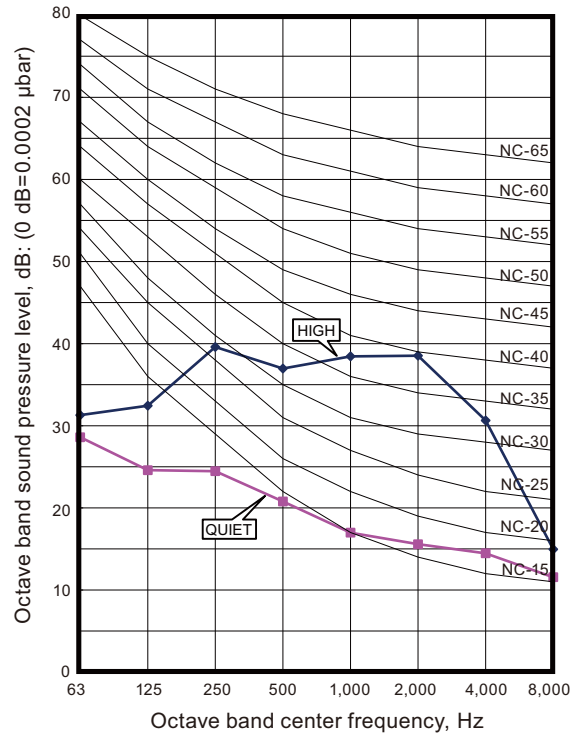
8-1. Noise level curve

■ Model: ASYG09LZCA

● Cooling

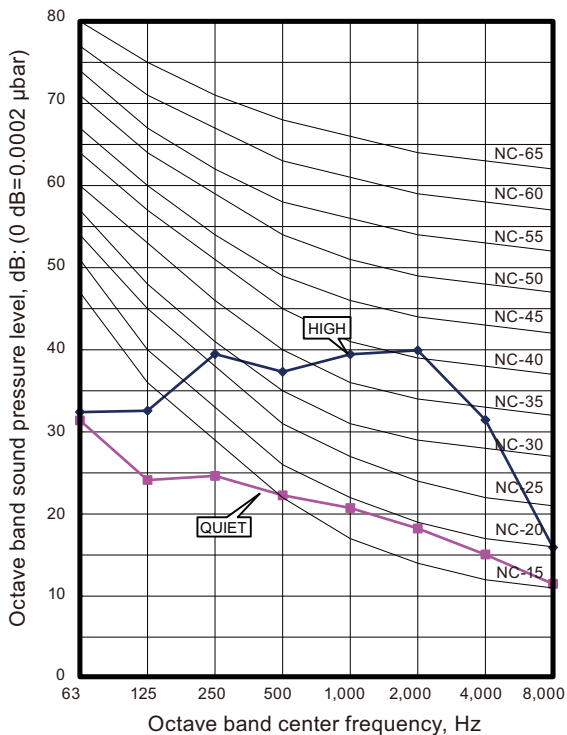


● Heating

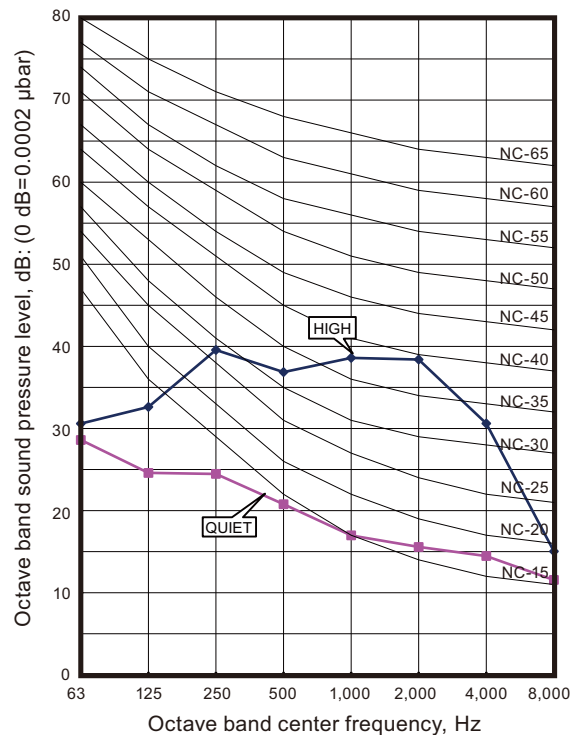


■ Model: ASYG12LZCA

● Cooling

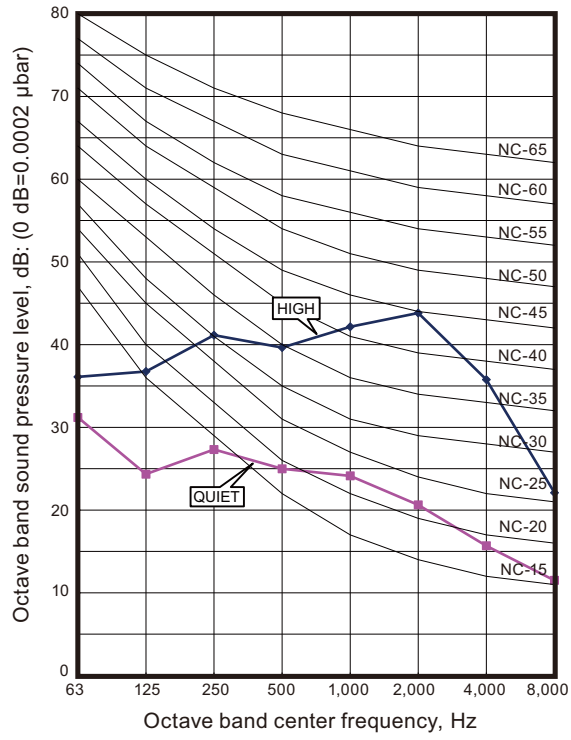


● Heating

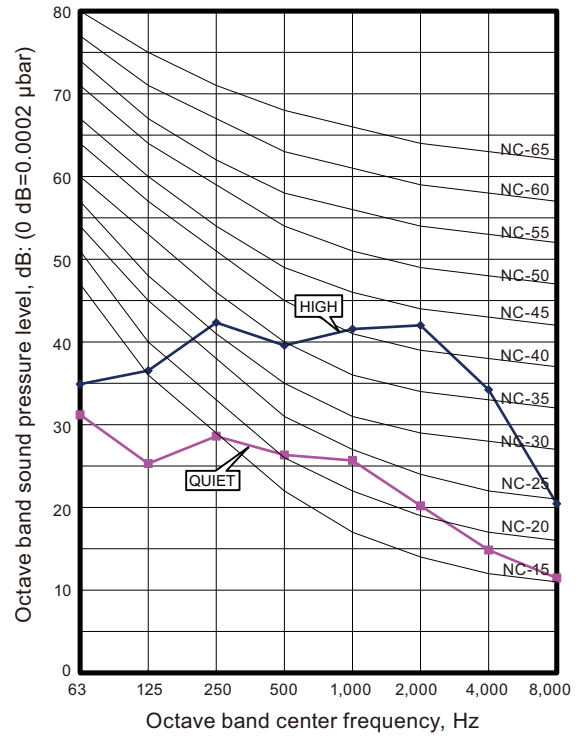


Model: ASYG14LZCA

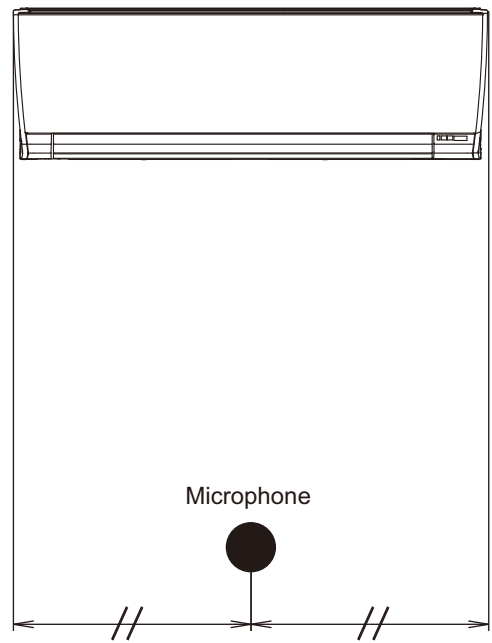
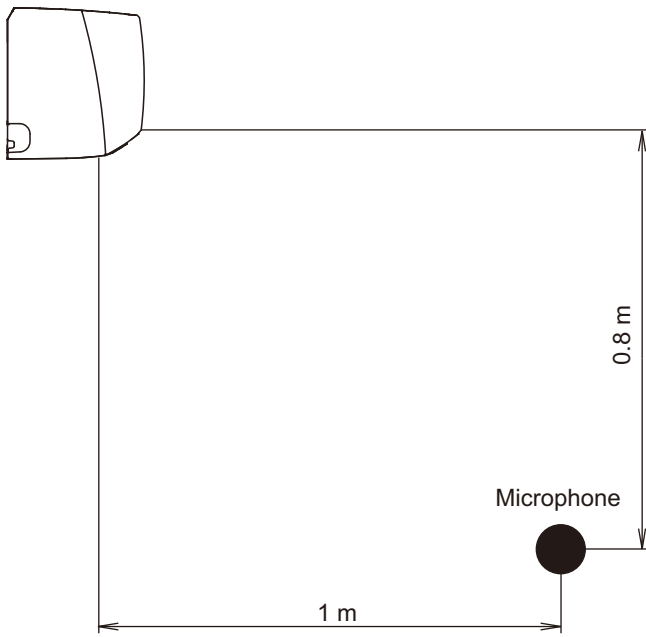
● Cooling



● Heating



8-2. Sound level check point



9. Safety devices

Type of protection	Protection form		Model		
			ASYG09LZCA	ASYG12LZCA	ASYG14LZCA
Circuit protection	Current fuse (PCB*)		250 V, 3.15 A		
Fan motor protection	Thermal protector program	Activate	105±10 °C Fan motor stop		
		Reset	90±10 °C Fan motor restart		

*PCB: Printed Circuit Board

10. External input and output

With using external input and output functions, this product can be operated inter-connectedly with an external device.

Connector	Input	Output	Remarks
CNA01	Control input	—	See external input/output settings for details.
CNB01	—	Operation status output	
CNB02	—	Error status output	

10-1. External input

With using external input function, some functions on this product can be controlled from an external device.

- “Operation/Stop” mode or “Forced stop” mode can be selected with function setting of indoor unit.
- A twisted pair cable (22AWG) should be used. Maximum length of cable is 150 m.
- The wire connection should be separate from the power cable line.

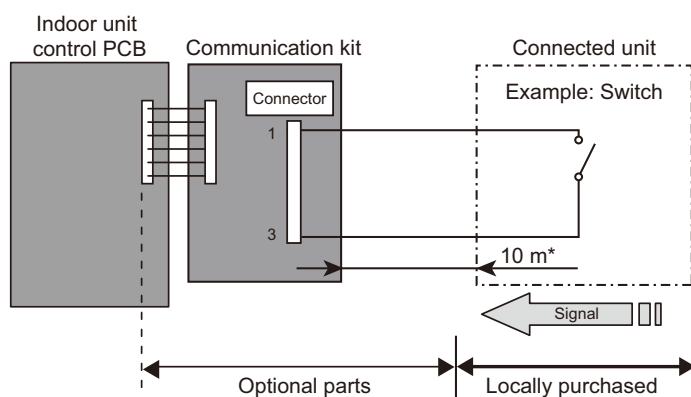
■ Control input (Operation/Stop or Forced stop)

The air conditioner can be remotely operated by means of the following on-site work.

Unit operation is started at the following contents by adding the contact input of a commercial on/off switch to a connector on the external control PCB and turning it on.

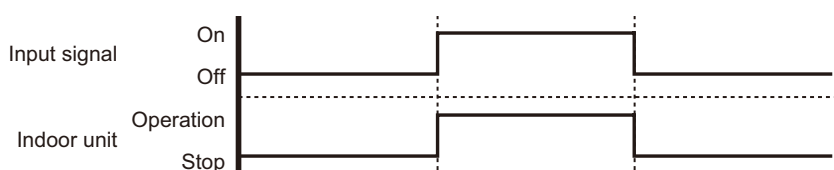
Unit operation	Initial setting after power is on	Starting mode other than initial setting
Operation mode	Auto changeover	Mode at previous operation
Set temperature	24 °C	Temperature at previous operation
Airflow mode	AUTO	Mode at previous operation
Air direction (swing)	Standard air direction (swing: off)	Air direction at previous operation

● Circuit diagram example

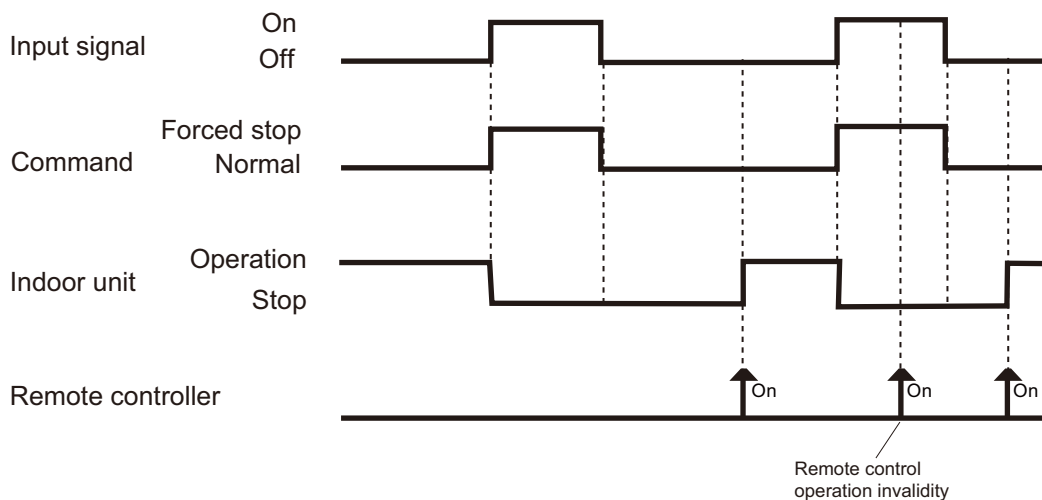


- Contact capacity: DC 24 V or more, 10 mA or more.
- *: Make the distance from the PCB to the connected unit within 10 m.
- Use non-polar relays and switches.

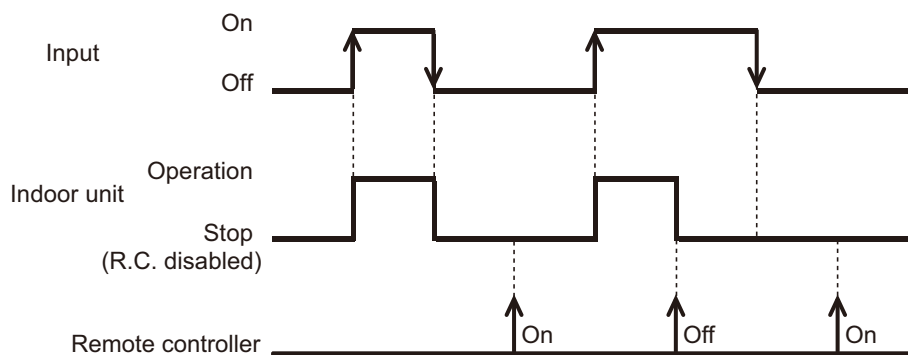
● When function setting is “Operation/Stop” mode



● When function setting is "Forced stop" mode

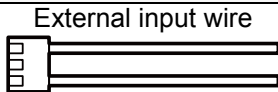
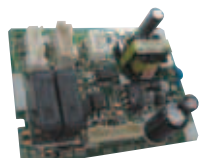


● When function setting is "Operation/Stop" mode 2



NOTE: When "Operation/Stop" mode 2 function is used with forming a remote controller group, connect the same equipment to each indoor unit within the group.

● Optional part

Part name	Model name	Exterior
External connect kit	UTY-XWZXZ5	 <p>External input wire</p>
Communication kit	UTY-TWBXF1	

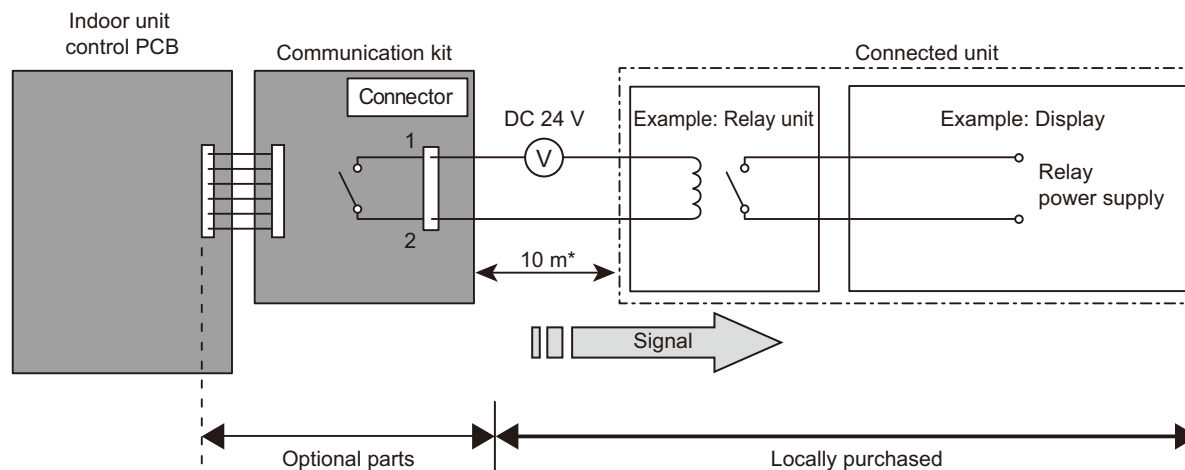
* For operating the external function, the wall mounted type requires the communication kit in addition to the wire (UTY-XWZXZ5).

10-2. External output

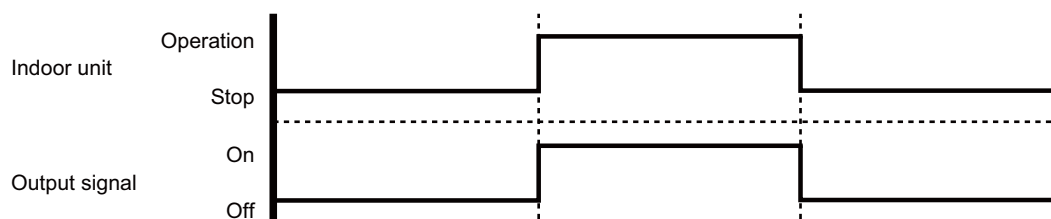
With using external output function, operating status of this product can be transmitted to the external device, and also, this product can be inter-connected with the external device.

■ Operation status output


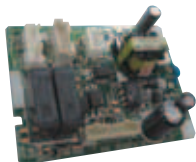
● Circuit diagram example



- *: Make the distance from the PCB to the connected unit within 10 m.
- Relay spec: Max. DC 24 V, 10 mA to less than 500 mA.



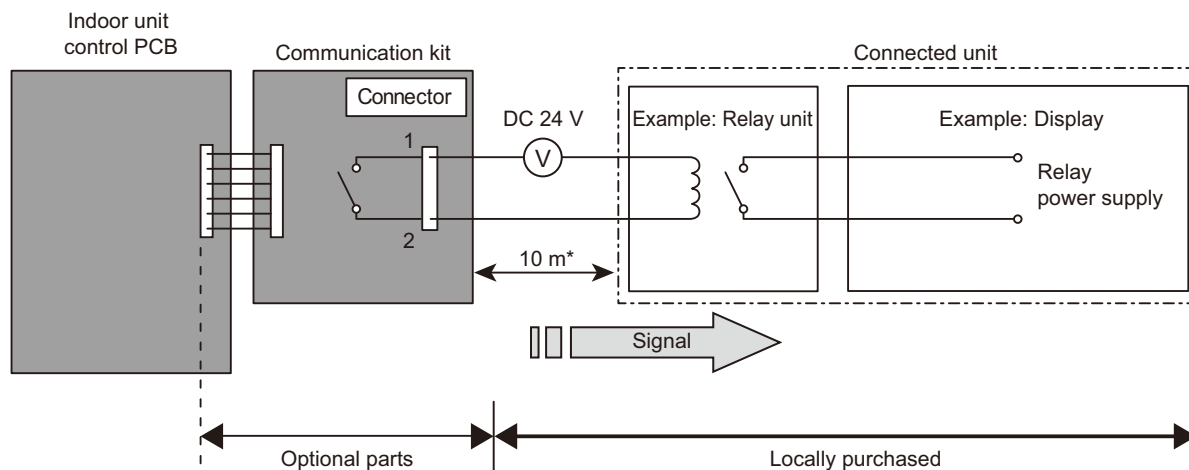
● Optional part

Part name	Model name	Exterior
External connect kit	UTY-XWZXZ5	External output wire 
Communication kit	UTY-TWBXF1	

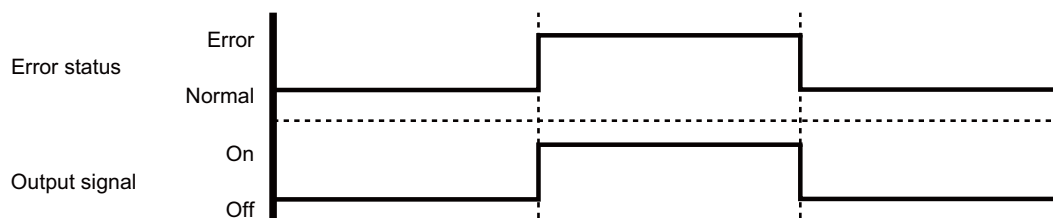
* For operating the external function, the wall mounted type requires the communication kit in addition to the wire (UTY-XWZXZ5).

■ Error status output


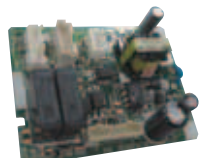
● Circuit diagram example



- *: Make the distance from the PCB to the connected unit within 10 m.
- Relay spec: Max. DC 24 V, 10 mA to less than 500 mA.



● Optional part

Part name	Model name	Exterior
External connect kit	UTY-XWZXZ5	External output wire 
Communication kit	UTY-TWBXF1	

* For operating the external function, the wall mounted type requires the communication kit in addition to the wire (UTY-XWZXZ5).

11. Function settings

To adjust the functions of this product according to the installation environment, various types of function settings are available.

NOTE: Incorrect settings can cause a product malfunction.

11-1. Function settings by using remote controller

Some function settings can be changed on the remote controller. After confirming the setting procedure and the content of each function setting, select appropriate functions for your installation environment.

NOTE: Incorrect settings can cause a product malfunction.

■ Setting procedure by using wireless remote controller

The function number and the associated setting value are displayed on the LCD of the remote controller. Follow the instructions written in the local setup procedure supplied with the remote controller, and select appropriate setting according to the installation environment.

Before connecting the power supply of the indoor unit, reconfirm following items:

- Cover for the electrical enclosure on the outdoor unit is in place.
- There is no wiring mistake.
- Piping air tight test and vacuuming have been performed firmly.
- All the necessary wiring work for outdoor unit has been finished.

After reconfirming the items listed above, connect the power supply of the indoor unit.

NOTES:

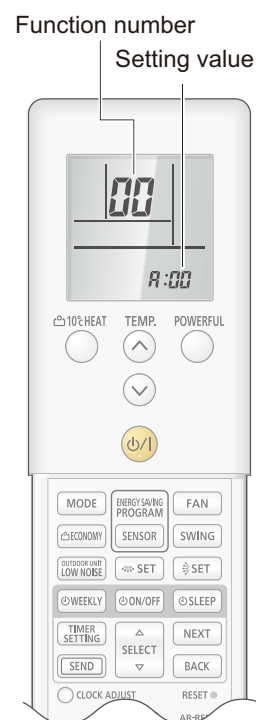
- Settings will not be changed if invalid numbers or setting values are selected.
- When optional wired remote controller is used, refer to the installation manual enclosed with the remote controller.

Entering function setting mode:

While pressing the POWERFUL button and TEMP. (∧) button simultaneously, press the RESET button to enter the function setting mode.

Selecting the function number and setting value:

1. Press the TEMP. (∧) (∨) buttons to select the function number. To switch between the left and right digits, press the 10 °C HEAT button.
2. Press the POWERFUL button to proceed to value setting. To return the function number selection, press the POWERFUL button again.
3. Press the TEMP. (∧) (∨) buttons to select the setting value. To switch between the left and right digits, press the 10 °C HEAT button.
4. Press the MODE button once to send the function setting information. Confirm that you hear the beep sound.
5. Press the START/STOP button to fix the function setting. Confirm that you hear the beep sound.
6. Press the RESET button to end the function setting mode.
7. After completing the function setting, be sure to disconnect the power supply and then reconnect it.



⚠ CAUTION

After disconnecting the power supply, wait 30 seconds or more before reconnecting it. The function setting will not become active unless the power supply is disconnected and then reconnected.

NOTES:

- The air conditioner custom code is set to A prior to shipment.
- If you do not know the air conditioner custom code setting, try each of the custom codes ($\text{A} \rightarrow \text{B} \rightarrow \text{C} \rightarrow \text{D}$) until you find the code that operates the air conditioner.

■ Contents of function setting

Each function setting listed in this section is adjustable in accordance with the installation environment.

NOTE: Setting will not be changed if invalid numbers or setting values are selected.

● Function setting list

	Function no.	Functions
1)	11	Filter sign
2)	30	Room temperature sensor control for cooling
3)	31	Room temperature sensor control for heating
4)	40	Auto restart
5)	42	Room temperature sensor switching
6)	44	Remote controller custom code
7)	46	External input control
8)	48	Room temperature sensor switching (Aux.)
9)	49	Indoor unit fan control for energy saving for cooling

1) Filter sign

Select appropriate intervals for displaying the filter sign on the indoor unit according to the estimated amount of dust in the air of the room.

If the indication is not required, select "No indication" (03).

Function number	Setting value	Setting description	Factory setting
11	00	Standard (400 hours)	
	01	Long interval (1,000 hours)	
	02	Short interval (200 hours)	
	03	No indication	◆

2) Room temperature sensor control for cooling

Depending on the installed environment, correction of the room temperature sensor may be required. Select the appropriate control setting according to the installed environment.

Function number	Setting value	Setting description	Factory setting
30	00	Standard	◆
	01	Slightly lower control	
	02	Lower control	
	03	Higher control	

3) Room temperature sensor control for heating

Depending on the installed environment, correction of the room temperature sensor may be required. Select the appropriate control setting according to the installed environment.

Function number	Setting value	Setting description	Factory setting
31	00	Standard	◆
	01	Lower control	
	02	Slightly higher control	
	03	Higher control	

4) Auto restart

Enables or disables automatic restart after a power interruption.

Function number	Setting value	Setting description	Factory setting
40	00	Enable	◆
	01	Disable	

NOTE: Auto restart is an emergency function such as for power outage etc. Do not attempt to use this function in normal operation. Be sure to operate the unit by remote controller or external device.

5) Room temperature sensor switching

(Only for wired remote controller)

When using the wired remote controller temperature sensor, change the setting to "Both" (01).

Function number	Setting value	Setting description	Factory setting
42	00	Indoor unit	◆
	01	Both	

00: Sensor on the indoor unit is active.

01: Sensors on both indoor unit and wired remote controller are active.

NOTE: Remote controller sensor must be turned on by using the remote controller.

6) Remote controller custom code

(Only for wireless remote controller)

The indoor unit custom code can be changed. Select the appropriate custom code.

Function number	Setting value	Setting description	Factory setting
44	00	A	◆
	01	B	
	02	C	
	03	D	

7) External input control

"Operation/Stop" mode or "Forced stop" mode can be selected.

Function number	Setting value	Setting description	Factory setting
46	00	Operation/Stop mode	◆
	01	(Setting prohibited)	
	02	Forced stop mode	

8) Room temperature sensor switching (Aux.)

To use the temperature sensor on the wired remote controller only, change the setting to "Wired remote controller" (01).

This function will only work if the function setting 42 is set at "Both" (01).

When the setting value is set to "Both" (00), more suitable control of the room temperature is possible by setting function setting 30 and 31 too.

Function number	Setting value	Setting description	Factory setting
48	00	Both	◆
	01	Wired remote controller	

9) Indoor unit fan control for energy saving for cooling

Enables or disables the power-saving function by controlling the indoor unit fan rotation when the outdoor unit is stopped during cooling operation.

Function number	Setting value	Setting description	Factory setting
49	00	Disable	
	01	Enable	◆

00: When the outdoor unit is stopped, the indoor unit fan operates continuously following the setting on the remote controller.

01: When the outdoor unit is stopped, the indoor unit fan operates intermittently at a very low speed.

11-2. Custom code setting for wireless remote controller

To interconnect the air conditioner and the wireless remote controller, assignment of the custom code for the wireless remote controller is required.

NOTE: Air conditioner cannot receive a signal if the air conditioner has not been set for the custom code.

When 2 or more air conditioners are installed in a room, and the remote controller is operating an air conditioner other than the one you wish to set, change the custom code of the remote controller to operate only the air conditioner you wish to set. (4 selections possible.)

Confirm the setting of the remote controller custom code and the function setting. If these do not match, the remote controller cannot be used to operate for the air conditioner.

1. Press the START/STOP button until only the clock is displayed on the remote controller display.
2. Press the MODE button for at least 5 seconds to display the current custom code. (Initially set to H .)
3. Press the TEMP. (\wedge) (\vee) buttons to change the custom code between H \rightarrow b \rightarrow c \rightarrow d . Match the code on the display to the air conditioner custom code. (Initially set to H .)
4. Press the MODE button again to return to the clock display. The custom code will be changed.



NOTES:

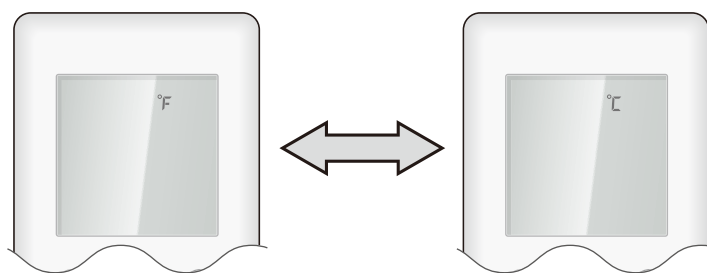
- If no button is pressed within 30 seconds after the custom code is displayed, the system returns to the original clock indicator. In this case, start again from step 1.
- The air conditioner custom code is set to H prior to shipment. To change the custom code, contact your retailer.
- If you do not know the assigned code for the air conditioner, try each of the custom code (H \rightarrow b \rightarrow c \rightarrow d) until you find the code which operates the air conditioner.

11-3. Switching the temperature unit of remote controller



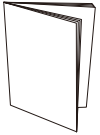

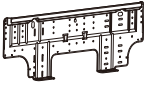


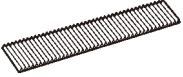

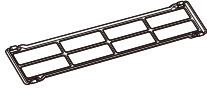


Displayed temperature unit on the remote controller LCD can be switched between °F (Fahrenheit) and °C (Celsius).

To change temperature unit, do as follows:

1. Press the TEMP. (Up) button (∧) for at least 5 seconds to display the current temperature unit. (Factory setting: °F)
2. Press the TEMP. (∧) (∨) buttons to switch the temperature unit between °F and °C.
3. With either of pressing the START/STOP button or no additional button operation for 30 seconds in step 2., the temperature unit currently selected will be set.

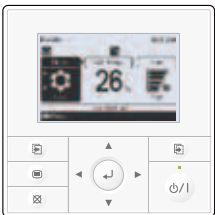
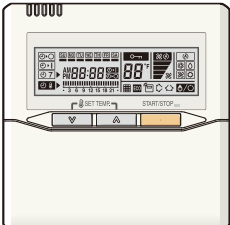



12. Accessories

Part name	Exterior	Q'ty	Part name	Exterior	Q'ty
Operating manual		1	Cloth tape		1
Installation manual		1	Tapping screw (large), M4 × 25 mm		5
Wall hook bracket		1	Tapping screw (small), M3 × 12 mm		2
Remote controller		1	Air cleaning filter		2
Battery		2	Filter holder		2
Remote controller holder		1	Seal A (for 14 model)		1



13. Optional parts

13-1. Controllers

Exterior	Part name	Model name	Summary
	Wired remote controller	UTY-RVNYM	Large and full-dot liquid crystal screen, wide and large keys easy to press, user-intuitive arrow key. Wire type: Polar 3-wire Optional communication kit is necessary for installation.
	Wired remote controller	UTY-RNNYM	Room temperature can be controlled by detecting the temperature accurately with built-in thermo sensor. Wire type: Polar 3-wire Optional communication kit is necessary for installation.
	Simple remote controller	UTY-RSNYM	Compact remote controller concentrates on the basic functions such as Start/Stop, fan control, temperature setting, and operation mode. Wire type: Polar 3-wire Optional communication kit is necessary for installation.

NOTE: Available functions may differ by the remote controller. For details, refer to the operation manual.

13-2. Others

Exterior	Part name	Model name	Summary
	External connect kit	UTY-XWZXZ5	Required when external device is connected. Optional communication kit is necessary for installation.
	Communication kit	UTY-TWBXF1	Use to connect with optional devices and air conditioner PCB.

Part 2. OUTDOOR UNIT

**SINGLE TYPE:
AOYG09LZCAN
AOYG12LZCAN
AOYG14LZCAN**

1. Specifications

WALL MOUNTED
AOYG09-14LZCAN

Type			Inverter heat pump		
Model name			AOYG09LZCAN	AOYG12LZCAN	AOYG14LZCAN
Power supply			230 V ~ 50 Hz		
Available voltage range			198—264 V		
Starting current			A	2.9	4.0
Fan	Airflow rate	Cooling	m ³ /h	1,350	1,680
		Heating		1,840	
	Type × Q'ty	Propeller fan × 1			
Motor output			W	115	
Sound pressure level *1	Cooling	Heating	dB (A)	39	43
				47	49
Sound power level	Cooling	Heating	dB (A)	52	57
				58	59
Heat exchanger type	Dimensions (H × W × D)		mm	588 × 881 × 36.4	
	Fin pitch			1.3	
	Rows × Stages		2 × 28		
	Pipe type		Copper		
	Fin type	Type (Material)	Corrugate (Aluminum)		
		Surface treatment	Corrosion resistance		
Compressor	Type × Q'ty		Rotary × 1		
	Motor output		W	850	1,000
Refrigerant	Type (Global warming potential)		R410A		
	Charge		g	1,300	1,400
Refrigerant oil	Type		FREOL α68SZ		
	Amount		cm ³	350	
Enclosure	Material		Steel sheet		
	Color		Beige Approximate color of MUNSELL 10YR7.5/1.0		
Dimensions (H × W × D)	Net		mm	620 × 790 × 290	
	Gross			713 × 945 × 395	
Weight	Net		kg	39	40
	Gross			43	
Connection pipe	Size	Liquid	mm (in)	Ø 6.35 (Ø 1/4)	
		Gas		Ø 9.52 (Ø 3/8)	Ø 12.7 (Ø 1/2)
	Method		Flare		
	Pre-charge length		m	15	
	Max. length			20	
Max. height difference		15			
Operation range	Cooling	Heating	°C	-10 to 46	
				-25 to 24	
Drain hose	Material		LDPE		
	Size		mm	Ø 13.0 (I. D.), Ø 16.0 to Ø 16.7 (O. D.)	

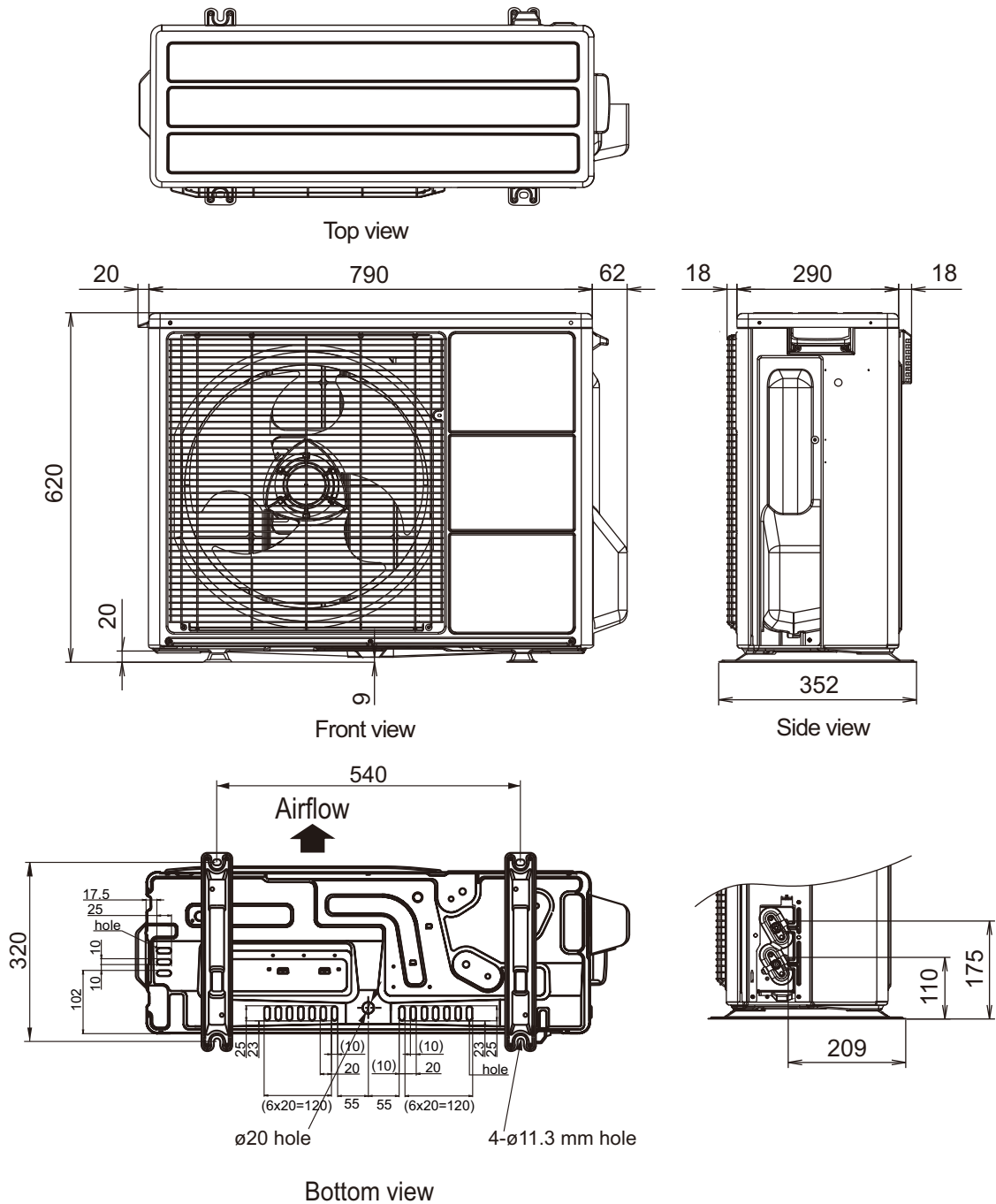
NOTES:

- Specifications are based on the following conditions:
 - Cooling: Indoor temperature of 27 °CDB/ 19 °CWB, and outdoor temperature of 35 °CDB/ 24 °CWB.
 - Heating: Indoor temperature of 20 °CDB/ 15 °CWB, and outdoor temperature of 7 °CDB/ 6 °CWB.
 - Pipe length: 5 m, Height difference: 0 m.
- Protective function might work when using it outside the operation range.
- *1: Sound pressure level
 - Measured values in manufacturer's anechoic chamber.
 - Because of the surrounding sound environment, the sound levels measured in actual installation conditions might be higher than the specified values here.

2. Dimensions

2-1. Models: AOYG09LZCAN, AOYG12LZCAN, and AOYG14LZCAN

WALL MOUNTED
AOYG09-14LZCAN



3. Installation space

3-1. Models: AOYG09LZCAN, AOYG12LZCAN, and AOYG14LZCAN

■ Space requirement

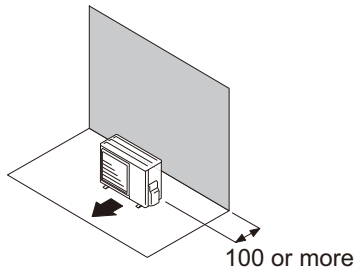
Provide sufficient installation space for product safety.

● Single outdoor unit installation

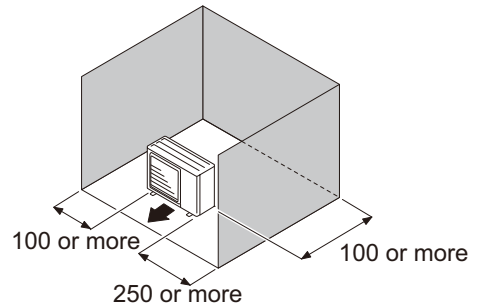
- When the upper space is open:

Unit: mm

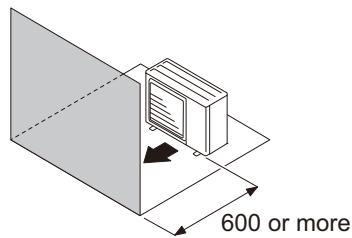
When there are obstacles at the rear only.



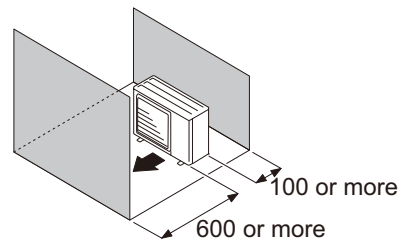
When there are obstacles at the rear and sides.



When there are obstacles at the front only.



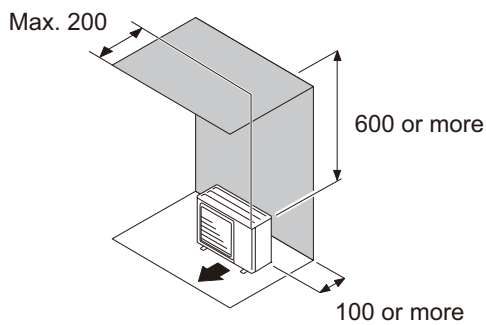
When there are obstacles at the front and rear.



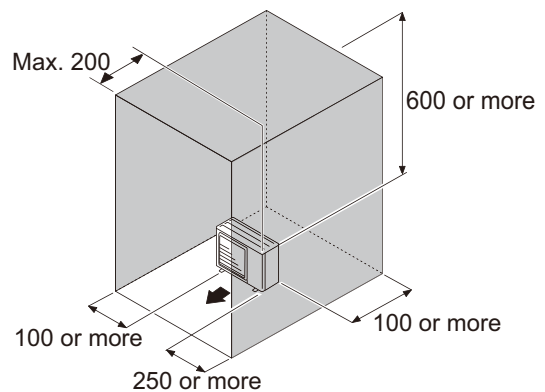
- When there is an obstruction in the upper space:

Unit: mm

When there are obstacles at the rear and above.



When there are obstacles at the rear, sides, and above.

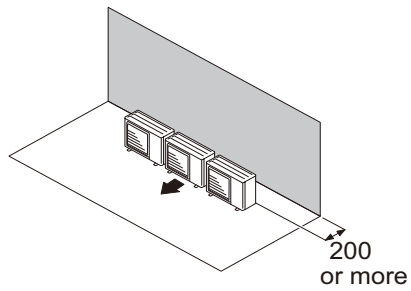


● Multiple outdoor unit installation

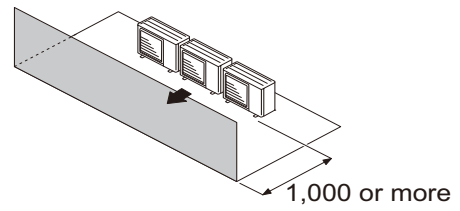
- When the upper space is open:

Unit: mm

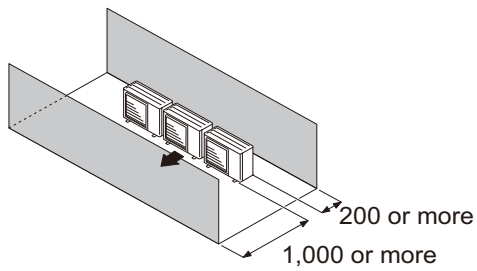
When there are obstacles at the rear only.



When there are obstacles at the front only.



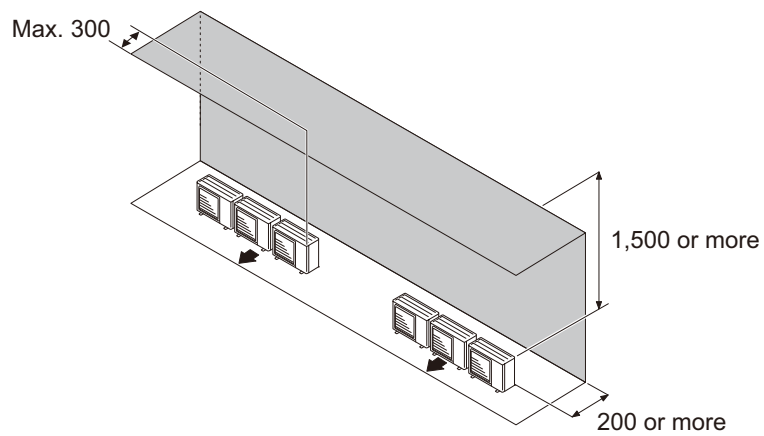
When there are obstacles at the front and rear.



- When there is an obstruction in the upper space:

Unit: mm

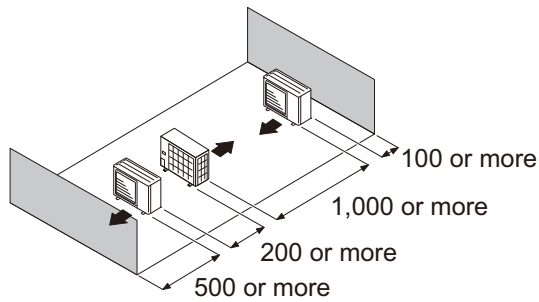
When there are obstacles at the rear and above.



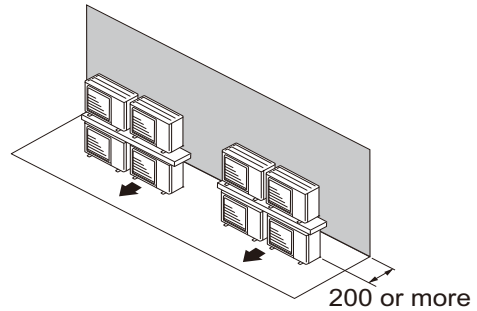
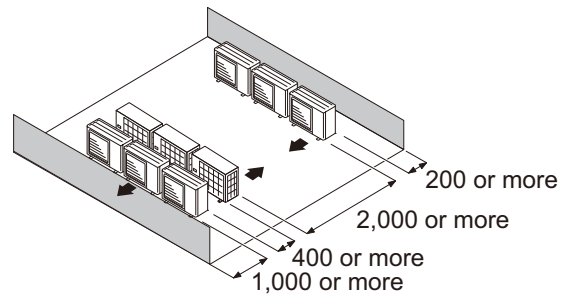
● Outdoor unit installation in multi-row

Unit: mm

Single parallel unit arrangement



Multiple parallel unit arrangement

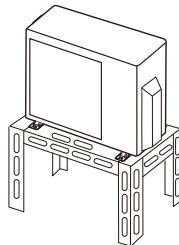


NOTES:

- If the space is larger than stated above, the condition will be the same as when there is no obstacle.
- Height above the floor level should be 50 mm or more.
- When installing the outdoor unit, be sure to open the front and left side to obtain better operation efficiency.

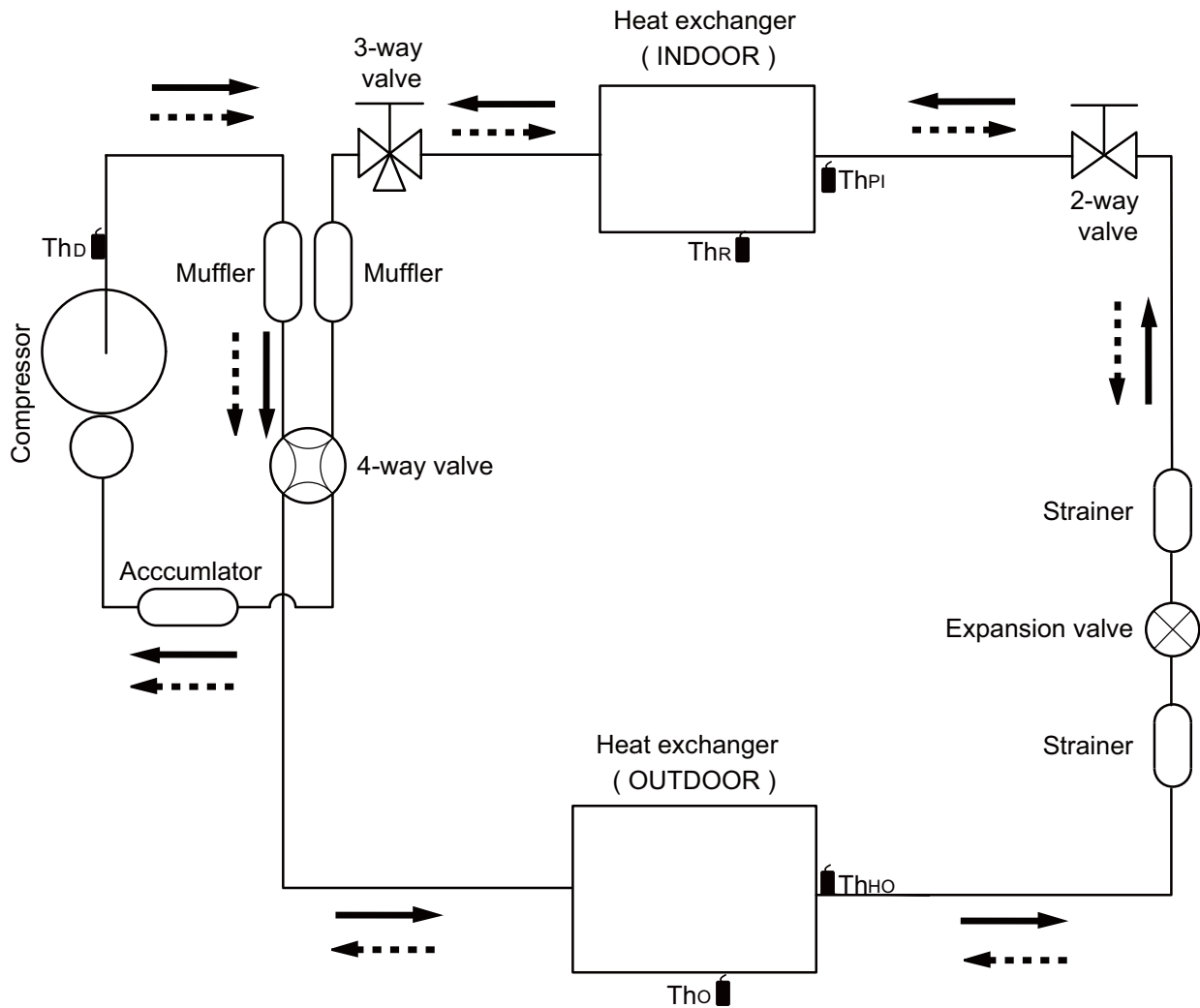
⚠ CAUTION

- Do not install the outdoor unit in two-stage where the drain water could freeze. Otherwise the drainage from the upper unit may form ice and cause a malfunction of the lower unit.
- When the outdoor temperature is 0 °C or less, do not use the accessory drain pipe and drain cap. If the drain pipe and drain cap are used, the drain water in the pipe may freeze in extremely cold climate. (For reverse cycle model only.)
- In area with heavy snowfall, if the inlet and outlet of the outdoor unit is blocked with snow, it might become difficult to get warm, and it is likely to cause product malfunction. Construct a canopy and a pedestal, or place the unit on a high stand that is locally installed.



4. Refrigerant circuit

4-1. Models: AOYG09LZCAN and AOYG12LZCAN



Cooling
 Heating

Th_D : Thermistor (Discharge temp.)

Th_O : Thermistor (Outdoor temp.)

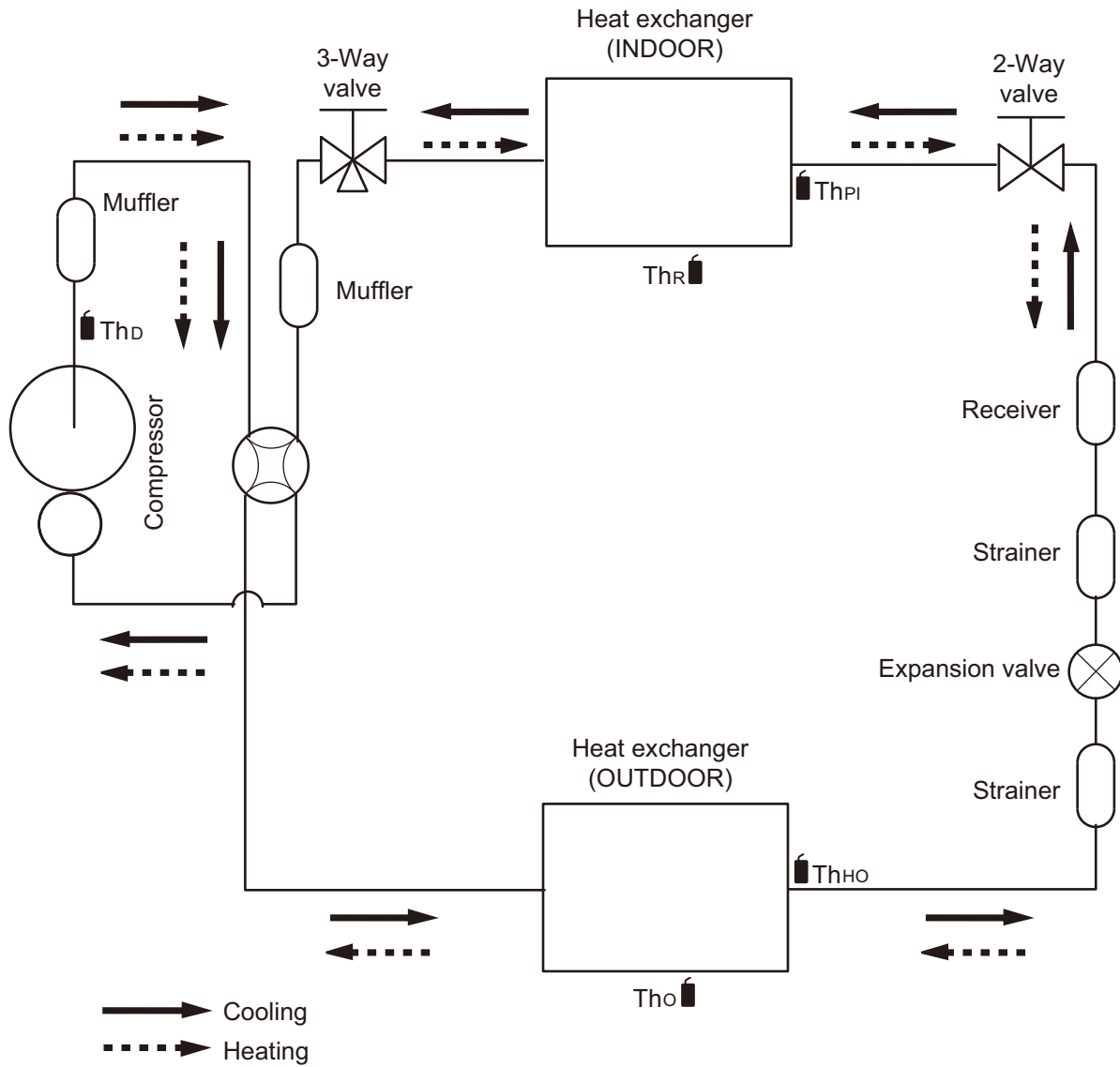
Th_{HO} : Thermistor (Heat exchanger out temp.)

Th_R : Thermistor (Room temp.)

Th_{PI} : Thermistor (Pipe temp.)

4-2. Model: AOYG14LZCAN

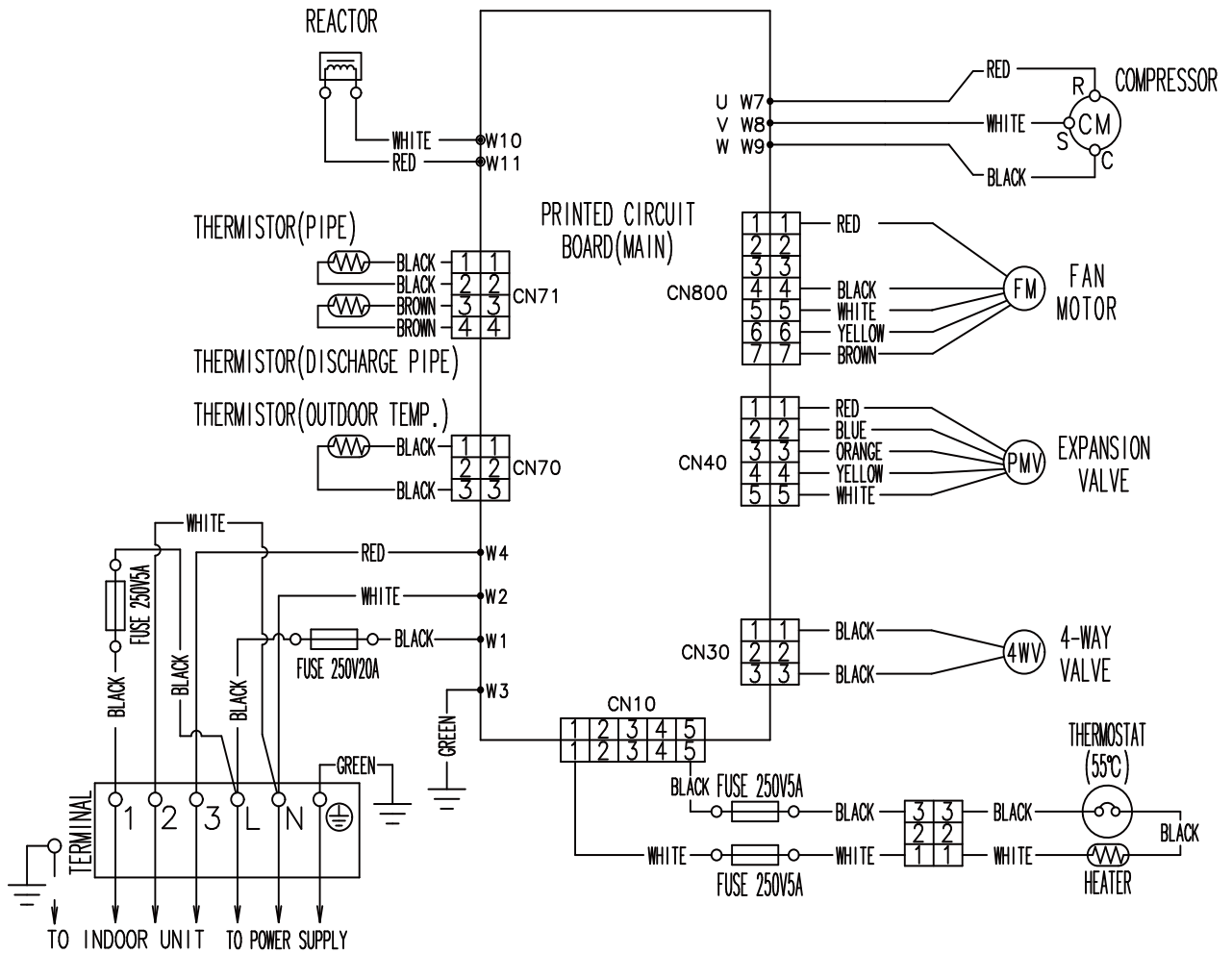
WALL MOUNTED
AOYG09-14LZCAN



- Th_D : Thermistor (Discharge temp.)
- Th_O : Thermistor (Outdoor temp.)
- Th_{HO} : Thermistor (Heat exchanger out temp.)
- Th_R : Thermistor (Room temp.)
- Th_{PI} : Thermistor (Pipe temp.)

5. Wiring diagrams

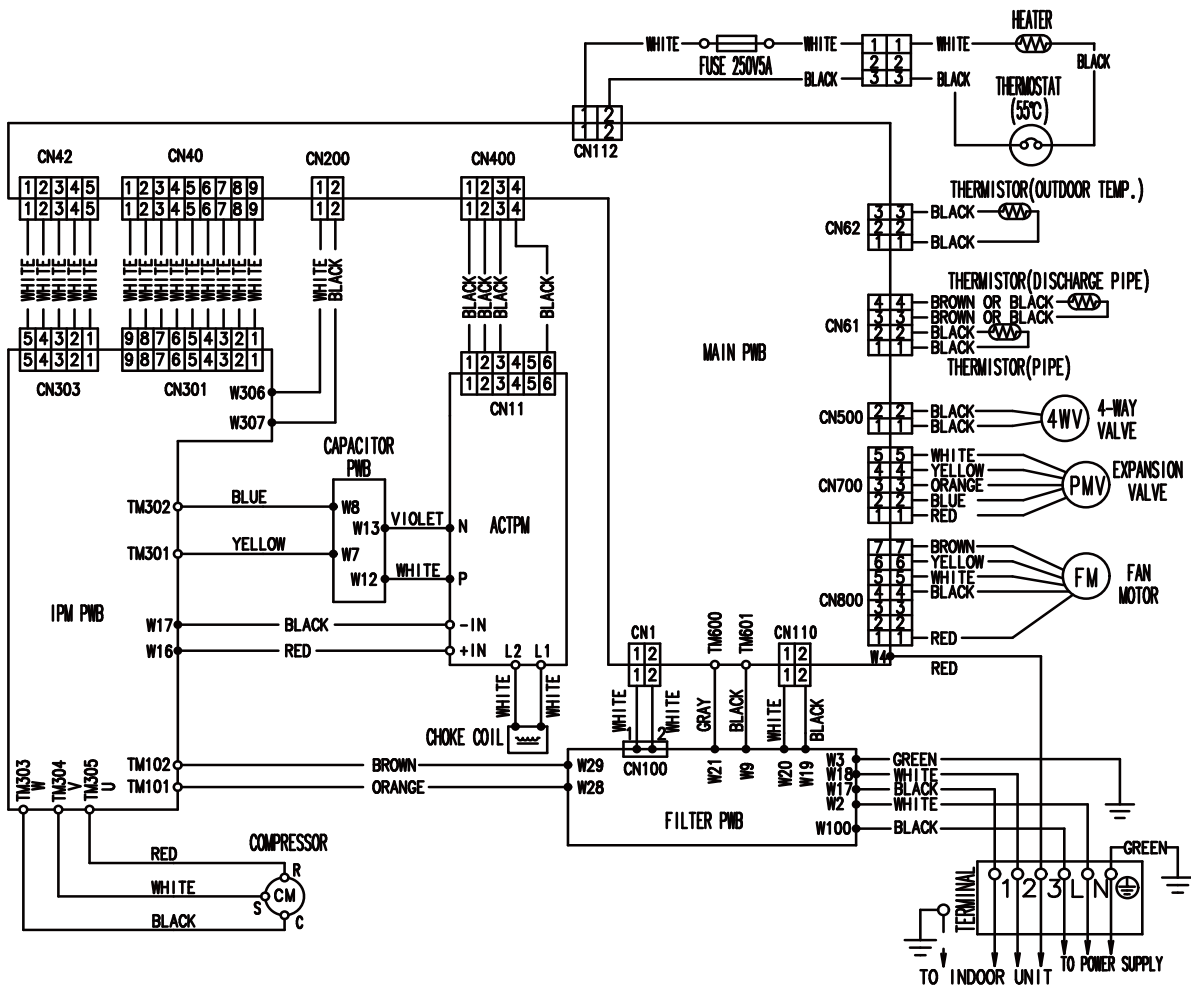
5-1. Models: AOYG09LZCAN and AOYG12LZCAN



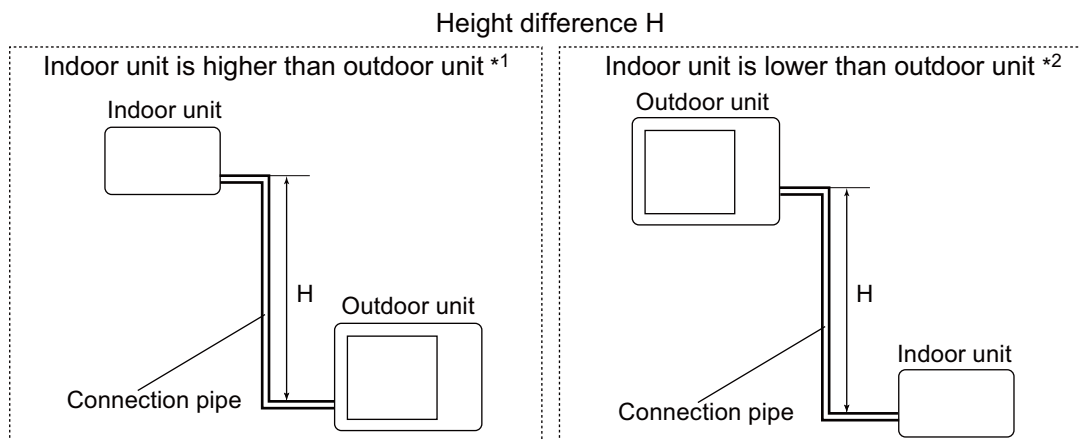
WALL MOUNTED
AOYG09-14LZCAN

5-2. Model: AOYG14LZCAN

WALL MOUNTED
AOYG09-14LZCAN



6. Capacity compensation rate for pipe length and height difference



6-1. Models: AOYG09LZCAN and AOYG12LZCAN

NOTE: Values mentioned in the table are calculated based on the maximum capacity.

COOLING			Pipe length (m)				
			5	7.5	10	15	20
Height difference H (m)	Indoor unit is higher than outdoor unit *1	15	-	-	-	0.877	0.874
		10	-	-	0.956	0.891	0.888
		7.5	-	0.988	0.960	0.895	0.892
		5	1.017	0.992	0.964	0.899	0.895
	0	1.025	1.000	0.971	0.906	0.902	
Indoor unit is lower than outdoor unit *2	-5	1.025	1.000	0.971	0.906	0.902	
	-7.5	-	1.000	0.971	0.906	0.902	
	-10	-	-	0.971	0.906	0.902	
	-15	-	-	-	0.906	0.902	

HEATING			Pipe length (m)				
			5	7.5	10	15	20
Height difference H (m)	Indoor unit is higher than outdoor unit *1	15	-	-	-	0.933	0.925
		10	-	-	0.981	0.933	0.925
		7.5	-	1.000	0.981	0.933	0.925
		5	1.017	1.000	0.981	0.933	0.925
	0	1.017	1.000	0.981	0.933	0.925	
Indoor unit is lower than outdoor unit *2	-5	1.012	0.995	0.976	0.928	0.920	
	-7.5	-	0.993	0.974	0.926	0.918	
	-10	-	-	0.971	0.923	0.916	
	-15	-	-	-	0.914	0.906	

6-2. Model: AOYG14LZCAN

NOTE: Values mentioned in the table are calculated based on the maximum capacity.

COOLING			Pipe length (m)				
			5	7.5	10	15	20
Height difference H (m)	Indoor unit is higher than outdoor unit *1	15	-	-	-	0.951	0.950
		10	-	-	0.979	0.967	0.966
		7.5	-	0.988	0.983	0.971	0.970
		5	0.994	0.992	0.987	0.975	0.974
		0	1.002	1.000	0.995	0.983	0.982
	Indoor unit is lower than outdoor unit *2	-5	1.002	1.000	0.995	0.983	0.982
		-7.5	-	1.000	0.995	0.983	0.982
		-10	-	-	0.995	0.983	0.982
-15		-	-	-	0.983	0.982	

HEATING			Pipe length (m)				
			5	7.5	10	15	20
Height difference H (m)	Indoor unit is higher than outdoor unit *1	15	-	-	-	0.994	0.979
		10	-	-	1.012	0.994	0.979
		7.5	-	1.000	1.012	0.994	0.979
		5	0.969	1.000	1.012	0.994	0.979
		0	0.969	1.000	1.012	0.994	0.979
	Indoor unit is lower than outdoor unit *2	-5	0.964	0.995	1.007	0.989	0.974
		-7.5	-	0.993	1.004	0.986	0.972
		-10	-	-	1.002	0.984	0.969
-15		-	-	-	0.974	0.959	

7. Additional charge calculation

7-1. Models: AOYG09LZCAN and AOYG12LZCAN

Refrigerant type		R410A
Refrigerant amount	g	1,300

■ Refrigerant charge

Total pipe length	m	15 or less	20 (Max.)	20 g/m
Additional charge	g	0	100	

7-2. Model: AOYG14LZCAN

Refrigerant type		R410A
Refrigerant amount	g	1,400

■ Refrigerant charge

Total pipe length	m	15 or less	20 (Max.)	20 g/m
Additional charge	g	0	100	

8. Airflow

8-1. Model: AOYG09LZCAN

● Cooling

m ³ /h	1,350
l/s	375
CFM	795

● Heating

m ³ /h	1,840
l/s	511
CFM	1083

8-2. Model: AOYG12LZCAN

● Cooling

m ³ /h	1,680
l/s	467
CFM	989

● Heating

m ³ /h	1,840
l/s	511
CFM	1083

8-3. Model: AOYG14LZCAN

● Cooling

m ³ /h	2,050
l/s	569
CFM	1206

● Heating

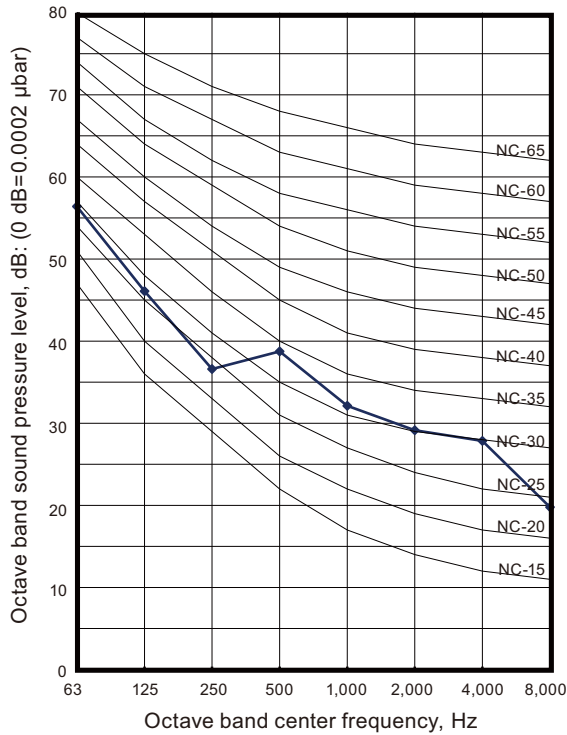
m ³ /h	1,840
l/s	511
CFM	1083

9. Operation noise (sound pressure)

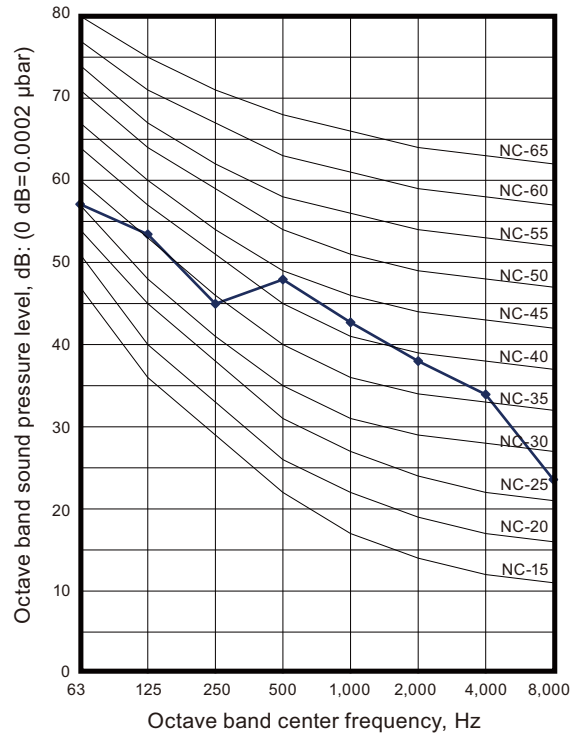
9-1. Noise level curve

Model: AOYG09LZCAN

Cooling

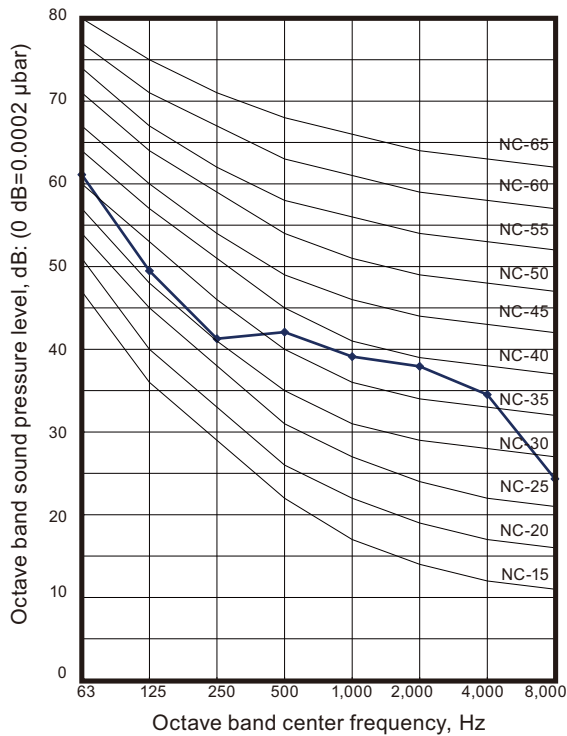


Heating

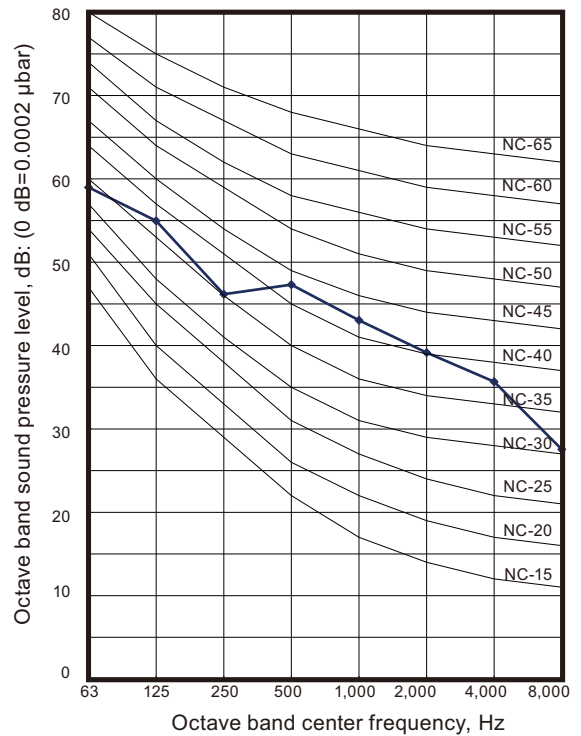


Model: AOYG12LZCAN

Cooling



Heating

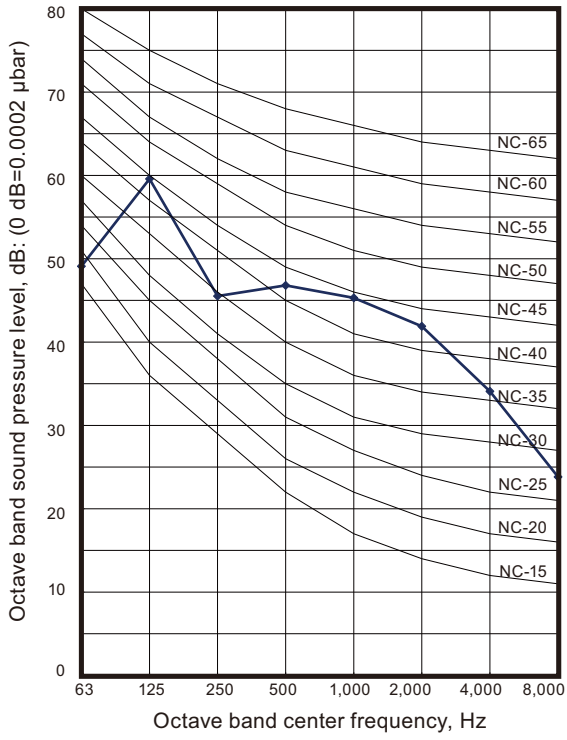


WALL MOUNTED
AOYG09-14LZCAN

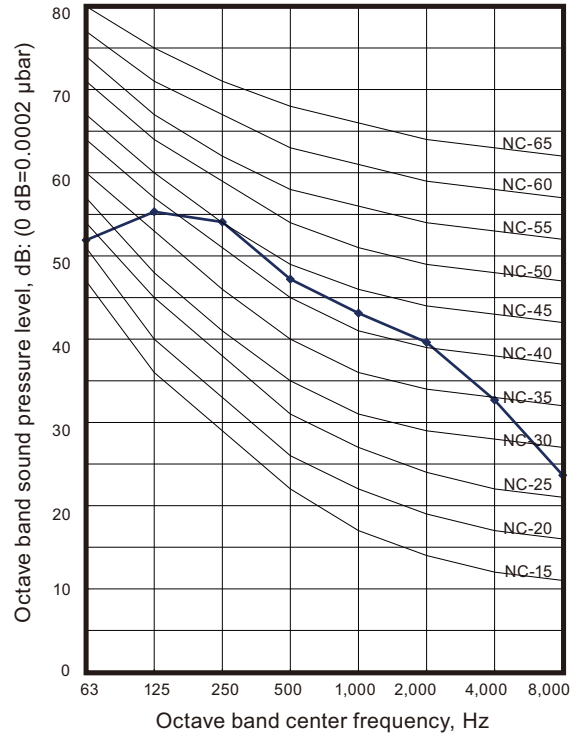
Model: AOYG14LZCAN

WALL MOUNTED
AOYG09-14LZCAN

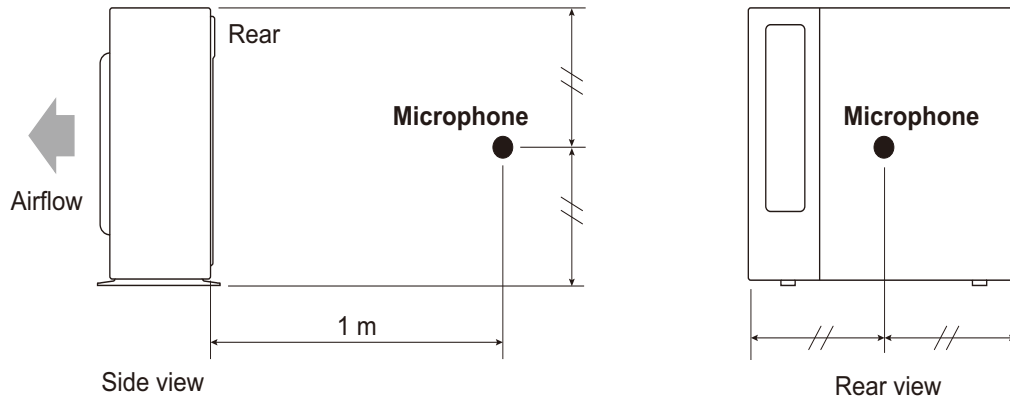
● Cooling



● Heating



9-2. Sound level check point



NOTE: Detailed shape of the actual outdoor unit might be slightly different from the one illustrated above.

10. Electrical characteristics

Model name			AOYG09LZCAN	AOYG12LZCAN	AOYG14LZCAN
Power supply	Voltage	V	230~		
	Frequency	Hz	50		
Max operating current *1		A	11.9		14.9
Starting current		A	2.9	4.0	5.3
Wiring spec. *2	Circuit breaker current	A	15		20
	Power cable	mm ²	1.5		3.5—4.0
	Connection cable *3	mm ²	1.5		
	Limited wiring length	m	21		

*1: Maximum current is the total current of the indoor unit and the outdoor unit.


*2: Selected sample based on Japan Electrotechnical Standards and Codes Committee E0005. As the regulations of wire size and circuit breaker differ in each country or region, select appropriate devices complied to the regional standard.

*3: Limit voltage drop to less than 2%. If voltage drop is 2% or more, increase cable conductor size.

11. Safety devices

Type of protection	Protection form	Model		
		AOYG09LZCAN	AOYG12LZCAN	AOYG14LZCAN
Circuit protection	Current fuse (Near the terminal)	250 V, 20 A		250 V, 5 A
		250 V, 5 A		
	Current fuse (Filter PCB)	—		250 V, 20 A
				250 V, 5 A
	Current fuse (Main PCB)	250 V, 15 A		250 V, 5 A
		250 V, 3.15 A		250 V, 3.15 A
Fan motor protection	Thermal protection program	Activate	110±15 °C Fan motor stop	
		Reset	95±10 °C Fan motor restart	
Compressor protection	Thermal protection program (Discharge temp.)	Activate	110 °C Compressor stop	
		Reset	After 7 minutes Compressor restart	

12. Accessories

Part name	Exterior	Q'ty	Part name	Exterior	Q'ty
Installation manual		1			