

AIR CONDITIONER

Wall mounted type

DESIGN & TECHNICAL MANUAL

For Extra Cold Climate Area

INDOOR



ASYG09KMCDN
ASYG12KMCDN
ASYG14KMCDN

OUTDOOR



AOYG09KMCDN



AOYG12KMCDN



AOYG14KMCDN

Notices:

- Product specifications and design are subject to change without notice for future improvement.
- For further details, please check with our authorized dealer.

Trademarks

FGLair™ is trademark of Fujitsu General Limited in the United States, other countries or both.

Google Play™ is trademark of Google Inc.

App Store® is a service mark of Apple Inc., registered in the U.S. and other countries.

CONTENTS

Part 1. INDOOR UNIT	1
1. Specifications	2
2. Dimensions	4
2-1. Models: ASYG09KMCDN, ASYG12KMCDN, and ASYG14KMCDN	4
3. Wiring diagrams	6
3-1. Models: ASYG09KMCDN, ASYG12KMCDN, and ASYG14KMCDN	6
4. Capacity table	7
4-1. Cooling capacity.....	7
4-2. Heating capacity	8
5. Fan performance	9
5-1. Air velocity distributions.....	9
5-2. Airflow	10
6. Operation noise (sound pressure)	13
6-1. Noise level curve.....	13
6-2. Sound level check point	15
7. Safety devices	16
8. External input and output	17
8-1. External input.....	18
8-2. External output.....	19
8-3. Combination of external input and output.....	20
8-4. Details of function	21
9. Group connection	26
10. Remote controller	27
10-1. Wireless remote controller	27
11. Function settings	29
11-1. Function settings by using remote controller.....	29
11-2. Custom code setting for wireless remote controller.....	36
12. Accessories	37
12-1. Models: ASYG09KMCDN, ASYG12KMCDN, and ASYG14KMCDN	37
13. Optional parts	38
13-1. Controllers	38
13-2. Others	38

CONTENTS (continued)

Part 2. OUTDOOR UNIT	41
1. Specifications	42
2. Dimensions	43
2-1. Model: AOYG09KMCDN	43
2-2. Model: AOYG12KMCDN	44
2-3. Model: AOYG14KMCDN	45
3. Installation space	46
3-1. Models: AOYG09KMCDN, AOYG12KMCDN, and AOYG14KMCDN	46
4. Refrigerant circuit	49
4-1. Models: AOYG09KMCDN and AOYG12KMCDN	49
4-2. Model: AOYG14KMCDN	50
5. Wiring diagrams	51
5-1. Models: AOYG09KMCDN and AOYG12KMCDN	51
5-2. Model: AOYG14KMCDN	52
6. Capacity compensation rate for pipe length and height difference	53
6-1. Model: AOYG09KMCDN	53
6-2. Model: AOYG12KMCDN	54
6-3. Model: AOYG14KMCDN	54
7. Additional charge calculation	55
7-1. Model: AOYG09KMCDN	55
7-2. Model: AOYG12KMCDN	55
7-3. Model: AOYG14KMCDN	55
8. Airflow	56
8-1. Model: AOYG09KMCDN	56
8-2. Model: AOYG12KMCDN	56
8-3. Model: AOYG14KMCDN	56
9. Operation noise (sound pressure)	57
9-1. Noise level curve	57
9-2. Sound level check point	58
10. Electrical characteristics	59
11. Safety devices	60
12. Accessories	61
12-1. Models: AOYG09KMCDN, AOYG12KMCDN, and AOYG14KMCDN	61

Part 1. INDOOR UNIT

WALL MOUNTED TYPE:

ASYG09KMCDN

ASYG12KMCDN

ASYG14KMCDN

1. Specifications

Type				Wall mounted		
				Inverter heat pump		
Model name				ASYG09KMCDN	ASYG12KMCDN	ASYG14KMCDN
Power supply				230 V ~ 50 Hz		
Available voltage range				198—264 V		
Capacity	Cooling	Rated	kW	2.50	3.40	4.20
		Min.—Max.	Btu/h	8,500	11,600	14,300
			kW	1.0—3.8	1.0—4.2	1.2—4.65
	Heating	Min.—Max.	Btu/h	3,400—13,000	3,400—14,300	4,100—15,900
			kW	3.20	4.00	5.40
		Rated	Btu/h	10,900	13,600	18,400
Input power	Cooling	Min.—Max.	kW	0.540	0.800	1.100
				0.21—1.08	0.21—1.25	0.26—1.25
		Rated		0.720	0.960	1.400
	Heating	Min.—Max.	Btu/h	3,100—19,400	3,100—20,100	3,100—20,400
			kW	0.9—5.7	0.9—5.9	0.9—6.4
		Rated	0.18—2.35	0.18—1.8	0.185—1.9	
Current	Cooling	Rated	A	2.5	3.6	4.9
	Heating		3.3	4.3	6.2	
EER	Cooling	kW/kW		4.63	4.25	3.82
COP	Heating		4.44	4.17	3.86	
Sensible capacity	Cooling	kW		2.37	2.74	3.26
Power factor	Cooling		%	94	96	97
	Heating		95	97	98	
Moisture removal		L/h (pints/h)		1.3 (2.3)	1.8 (3.2)	2.1 (3.7)
Maximum operating current *1	Cooling		A	6.0	7.0	8.5
	Heating		9.5	11.5	16.0	
Fan	Airflow rate	Cooling	HIGH	670	690	770
			MED	530	560	600
			LOW	410	450	450
			QUIET	280	280	280
		Heating	HIGH	750	780	820
			MED	620	630	650
			LOW	510	520	520
			QUIET	290	290	340
	Type × Q'ty	Crossflow fan × 1				
	Motor output	W				
Sound pressure level *2	Cooling		HIGH	40	42	43
			MED	36	37	40
			LOW	30	32	33
			QUIET	20	20	20
	Heating		HIGH	42	43	44
			MED	38	39	40
			LOW	33	35	35
			QUIET	22	22	24
Heat exchanger type	Dimensions (H × W × D)		mm	Main1: 210 × 670 × 26.6 Main2: 112 × 670 × 20 Sub1: 84 × 670 × 13.3		
	Fin pitch			Man1: 1.2, Main2: 1.1, Sub1:1.4		
	Rows × Stages			Main1: 2 × 10, Main2: 2 × 7, Sub:1 × 4		
	Pipe type			Copper tube		
	Fin type			Aluminum		
Enclosure	Material		Polystyrene			
	Color		White + Pearl white (painted) Approximate color of Munsell N 9.25/			
Dimensions (H × W × D)	Net	mm	270 × 834 × 222			
	Gross		277 × 914 × 332			
Weight	Net	kg	10.0			
	Gross		13.0			
Connection pipe	Size	Liquid	Ø 6.35 (Ø 1/4)			
		Gas	Ø 9.52 (Ø 3/8)			
	Method	Flare				
Drain hose	Material		PP+HDPE			
	Tip diameter		Ø 13.8 (I.D.), Ø 15.8 to Ø 16.7 (O.D.)			
Operation range	Cooling	°C	18 to 32			
	Heating	%RH	80 or less			
Remote controller type			°C			
				16 to 30		
Remote controller type				Wireless (Wired, Mobile app*3 [FGLair™] [option])		

NOTES:

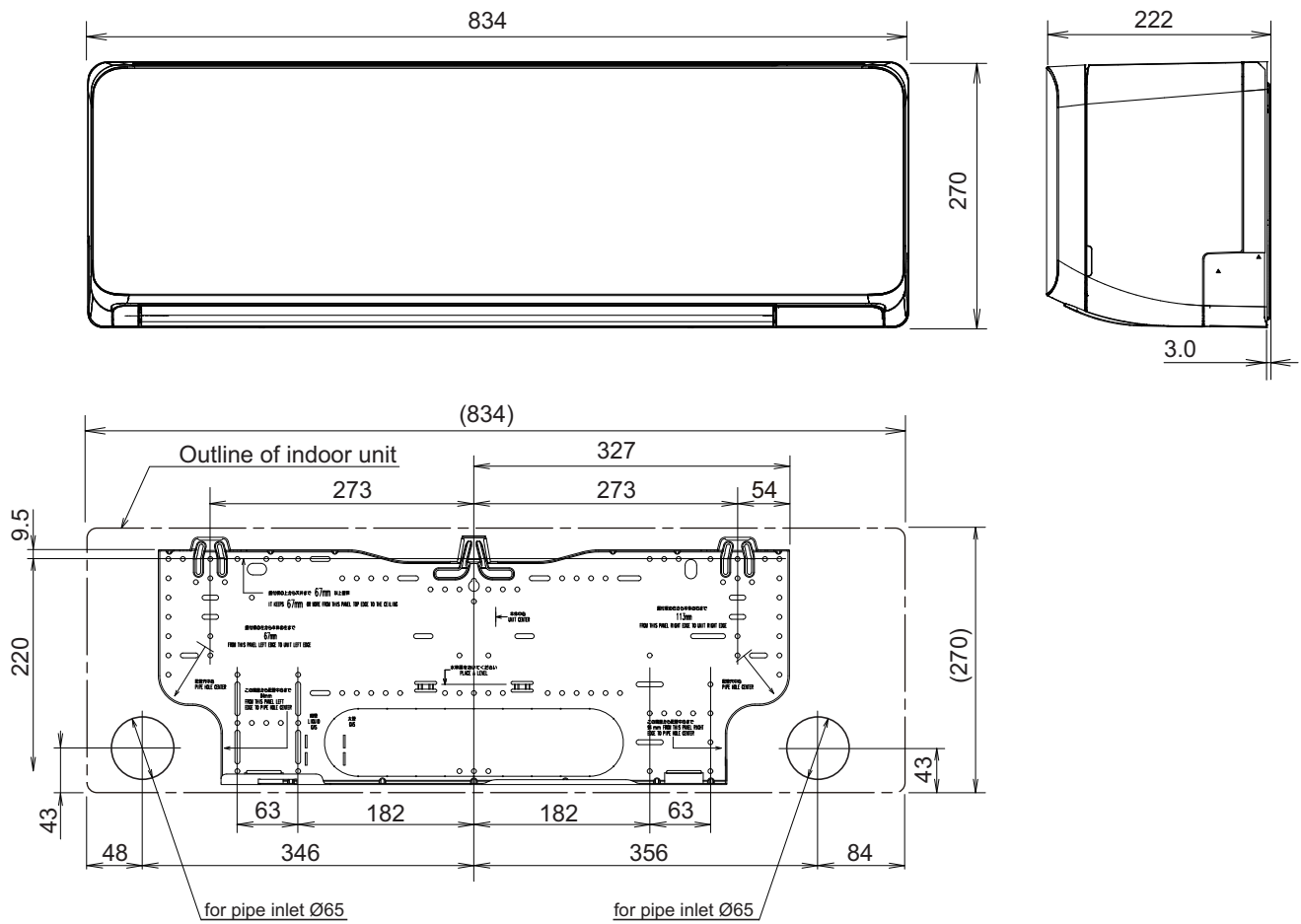
- Specifications are based on the following conditions:
 - Cooling: Indoor temperature of 27 °CDB/19 °CWB, and outdoor temperature of 35 °CDB/24 °CWB.
 - Heating: Indoor temperature of 20 °CDB/15 °CWB, and outdoor temperature of 7 °CDB/6 °CWB.
 - Pipe length: 5 m, Height difference: 0 m. (Between outdoor unit and indoor unit.)
- Protective function might work when using it outside the operation range.
- *1: Maximum current is maximum value when operated within the operation range.
- *2: Sound pressure level:
 - Measured values in manufacturer's anechoic chamber.
 - Because of the surrounding sound environment, the sound levels measured in actual installation conditions might be higher than the specified values here.
- *3: Available on Google Play™ store or on App Store®. WLAN adapter is also required. For details, refer to the setting manual.

Specifications for Lot10						
Model name		ASYG09KMCDN	ASYG12KMCDN	ASYG14KMCDN		
Energy efficiency class	Cooling	A++				
	Heating (Average)	A++				
Pdesign	Cooling	kW	2.5 (35 °C)	3.4 (35 °C)	4.2 (35 °C)	
	Heating (Average)		2.5 (-10 °C)	3.6 (-10 °C)	4.2 (-10 °C)	
SEER	Cooling	kWh/kWh	6.5	7.5	7.3	
SCOP	Heating (Average)		4.6	4.6	4.6	
Annual energy consumption	QCE	kWh/a	135	159	201	
	QHE (Average)		761	1,096	1,278	
Sound power level	Cooling	HIGH	dB (A)	55	56	58
	Heating			57	58	60

2. Dimensions

2-1. Models: ASYG09KMCDN, ASYG12KMCDN, and ASYG14KMCDN

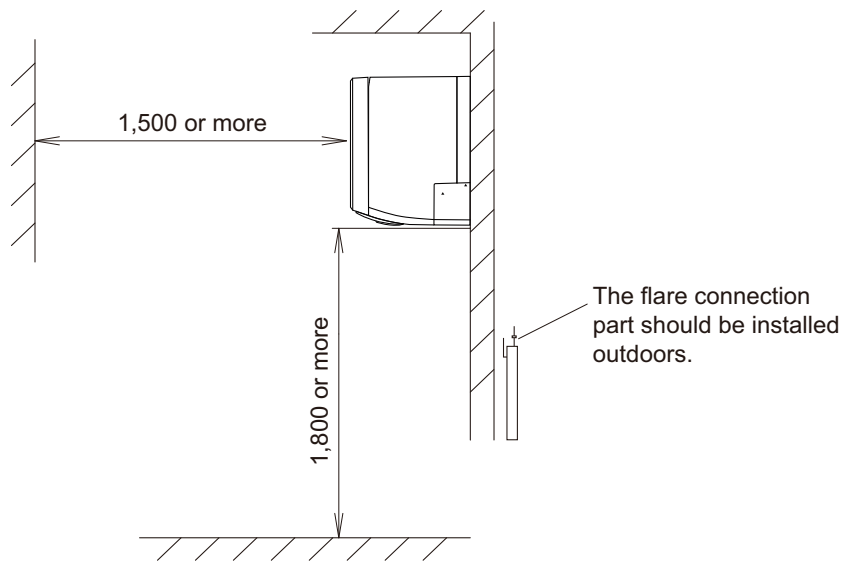
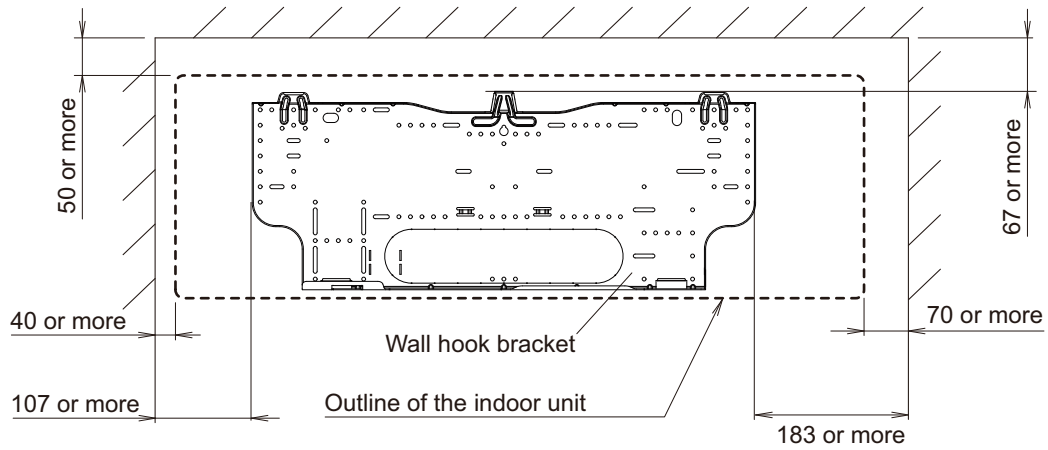
Unit: mm



Installation space requirement

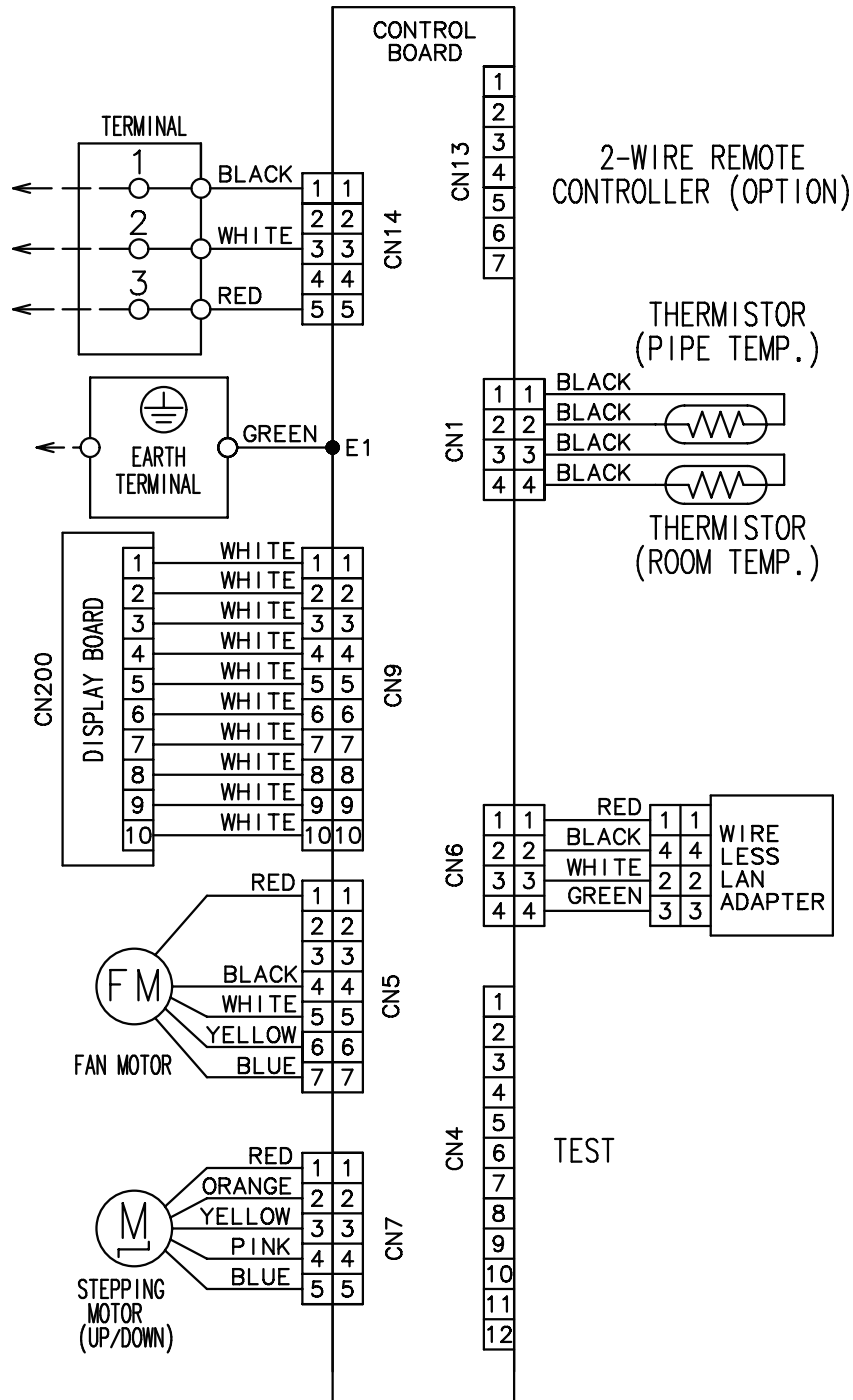
Provide sufficient installation space for product safety.

Unit: mm



3. Wiring diagrams

3-1. Models: ASYG09KMCDN, ASYG12KMCDN, and ASYG14KMCDN



4. Capacity table

Capacity tables show each of following values calculated based on the outdoor temperature and the indoor temperature, under given Airflow Rate (AFR):

For cooling capacity: Total Capacity (TC), Sensible Heat Capacity (SHC), and Input Power (IP)

For heating capacity: Total Capacity (TC) and Input Power (IP)

4-1. Cooling capacity

Model: ASYG09KMCDN

AFR		m ³ /h												670								
Outdoor temperature	Indoor temperature																					
	°CDB	18			21			23			25			27			29			32		
	°CWB	12			15			16			18			19			21			23		
	°CDB	TC	SHC	IP	TC	SHC	IP	TC	SHC	IP	TC	SHC	IP	TC	SHC	IP	TC	SHC	IP	TC	SHC	IP
		kW			kW			kW			kW			kW			kW			kW		
-10	2.45	2.41	0.57	2.73	2.42	0.58	2.82	2.63	0.58	3.01	2.64	0.58	3.10	2.85	0.59	3.29	2.84	0.59	3.47	3.03	0.60	
-5	2.64	2.59	0.56	2.94	2.61	0.56	3.04	2.84	0.57	3.24	2.85	0.57	3.34	3.07	0.58	3.54	3.06	0.58	3.74	3.26	0.59	
0	2.83	2.78	0.55	3.15	2.80	0.55	3.26	3.04	0.56	3.47	3.05	0.56	3.58	3.29	0.57	3.79	3.28	0.57	4.01	3.49	0.58	
5	2.92	2.87	0.48	3.25	2.88	0.48	3.36	3.13	0.49	3.58	3.14	0.49	3.69	3.39	0.49	3.91	3.38	0.50	4.13	3.60	0.50	
10	3.00	2.95	0.41	3.34	2.97	0.41	3.46	3.23	0.41	3.69	3.24	0.42	3.80	3.50	0.42	4.03	3.48	0.42	4.26	3.71	0.43	
15	2.67	2.63	0.38	2.98	2.64	0.39	3.08	2.87	0.39	3.28	2.88	0.39	3.38	3.11	0.40	3.58	3.10	0.40	3.79	3.30	0.40	
20	2.34	2.30	0.36	2.61	2.31	0.36	2.70	2.52	0.37	2.87	2.52	0.37	2.96	2.73	0.37	3.14	2.71	0.37	3.32	2.89	0.38	
25	2.22	2.18	0.40	2.48	2.20	0.41	2.56	2.39	0.41	2.73	2.40	0.41	2.81	2.59	0.42	2.98	2.58	0.42	3.15	2.75	0.43	
30	2.10	2.06	0.45	2.34	2.07	0.45	2.42	2.25	0.46	2.58	2.26	0.46	2.66	2.44	0.46	2.82	2.43	0.47	2.98	2.59	0.47	
35	1.98	1.94	0.49	2.20	1.95	0.50	2.28	2.12	0.50	2.43	2.13	0.51	2.50	2.30	0.51	2.65	2.29	0.52	2.80	2.44	0.52	
40	1.90	1.73	0.49	2.12	1.74	0.50	2.19	1.89	0.50	2.34	1.90	0.51	2.41	2.05	0.51	2.55	2.04	0.51	2.70	2.17	0.52	
46	1.84	1.60	0.49	2.04	1.61	0.50	2.11	1.75	0.50	2.25	1.76	0.51	2.32	1.90	0.51	2.46	1.89	0.51	2.60	2.01	0.52	

Model: ASYG12KMCDN

AFR		m ³ /h												690								
Outdoor temperature	Indoor temperature																					
	°CDB	18			21			23			25			27			29			32		
	°CWB	12			15			16			18			19			21			23		
	°CDB	TC	SHC	IP	TC	SHC	IP	TC	SHC	IP	TC	SHC	IP	TC	SHC	IP	TC	SHC	IP	TC	SHC	IP
		kW			kW			kW			kW			kW			kW			kW		
-10	2.50	2.08	0.41	2.78	2.09	0.41	2.88	2.28	0.41	3.07	2.28	0.42	3.16	2.46	0.42	3.35	2.45	0.43	3.54	2.62	0.43	
-5	2.50	2.09	0.44	2.79	2.10	0.45	2.88	2.28	0.45	3.07	2.29	0.46	3.17	2.47	0.46	3.36	2.46	0.47	3.55	2.62	0.47	
0	2.51	2.09	0.48	2.80	2.11	0.49	2.89	2.29	0.49	3.08	2.30	0.50	3.18	2.48	0.50	3.37	2.47	0.51	3.56	2.63	0.51	
5	2.51	2.09	0.39	2.80	2.11	0.40	2.89	2.29	0.40	3.08	2.30	0.40	3.18	2.48	0.41	3.37	2.47	0.41	3.56	2.63	0.41	
10	2.51	2.07	0.30	2.80	2.09	0.31	2.89	2.27	0.31	3.08	2.27	0.31	3.18	2.46	0.31	3.37	2.45	0.32	3.56	2.61	0.32	
15	2.85	1.98	0.43	3.17	1.99	0.44	3.28	2.16	0.44	3.50	2.17	0.44	3.60	2.35	0.45	3.82	2.34	0.45	4.04	2.49	0.46	
20	3.18	2.66	0.56	3.55	2.67	0.57	3.67	2.90	0.57	3.91	2.91	0.58	4.03	3.15	0.58	4.27	3.13	0.59	4.51	3.34	0.59	
25	3.02	2.52	0.63	3.37	2.54	0.64	3.48	2.76	0.64	3.71	2.77	0.65	3.83	2.99	0.65	4.06	2.98	0.66	4.28	3.17	0.67	
30	2.86	2.38	0.70	3.18	2.40	0.71	3.29	2.61	0.72	3.51	2.62	0.72	3.62	2.82	0.73	3.83	2.81	0.73	4.05	3.00	0.74	
35	2.69	2.24	0.77	2.99	2.25	0.78	3.09	2.45	0.79	3.30	2.46	0.80	3.40	2.66	0.80	3.60	2.64	0.81	3.81	2.82	0.82	
40	2.39	2.00	0.77	2.67	2.01	0.78	2.76	2.18	0.79	2.94	2.19	0.80	3.03	2.37	0.80	3.21	2.36	0.81	3.39	2.51	0.82	
46	2.22	1.85	0.77	2.47	1.86	0.78	2.56	2.03	0.79	2.73	2.03	0.79	2.81	2.19	0.80	2.98	2.19	0.80	3.15	2.33	0.81	

Model: ASYG14KMCDN

AFR		m ³ /h												770								
Outdoor temperature	Indoor temperature																					
	°CDB	18			21			23			25			27			29			32		
	°CWB	12			15			16			18			19			21			23		
	°CDB	TC	SHC	IP	TC	SHC	IP	TC	SHC	IP	TC	SHC	IP	TC	SHC	IP	TC	SHC	IP	TC	SHC	IP
		kW			kW			kW			kW			kW			kW			kW		
-10	3.58	2.86	0.40	3.98	2.88	0.41	4.12	3.13	0.41	4.39	3.14	0.41	4.53	3.39	0.42	4.80	3.38	0.42	5.07	3.60	0.42	
-5	3.47	2.78	0.45	3.86	2.79	0.45	3.99	3.04	0.46	4.26	3.05	0.46	4.39	3.29	0.46	4.65	3.28	0.47	4.92	3.49	0.47	
0	3.36	2.69	0.49	3.74	2.71	0.50	3.87	2.94	0.50	4.12	2.95	0.51	4.25	3.19	0.51	4.51	3.18	0.51	4.76	3.38	0.52	
5	3.18	2.55	0.48	3.55	2.57	0.49	3.67	2.79	0.49	3.91	2.80	0.50	4.03	3.02	0.50	4.27	3.01	0.51	4.51	3.21	0.51	
10	3.01	2.41	0.48	3.35	2.42	0.48	3.46	2.63	0.49	3.69	2.64	0.49	3.81	2.85	0.49	4.03	2.84	0.50	4.26	3.03	0.50	
15	3.47	2.78	0.62	3.86	2.80	0.63	4.00	3.04	0.64	4.26	3.05	0.64	4.39	3.29	0.65	4.65	3.28	0.65	4.92	3.49	0.66	
20	3.93	3.15	0.77	4.38	3.17	0.78	4.53	3.45	0.79	4.83	3.46	0.80	4.98	3.73	0.80	5.28	3.72	0.81	5.57	3.96	0.82	
25	3.73	2.99	0.87	4.16	3.01	0.88	4.30	3.27	0.89	4.58	3.28	0.89	4.73	3.54	0.90	5.01	3.53	0.91	5.29	3.76	0.92	
30	3.53	2.84	0.96	3.93	2.86	0.98	4.07	3.11	0.98	4.33	3.12	0.99	4.47	3.37	1.00	4.74	3.35	1.01	5.00	3.57	1.02	
35	3.32	2.67	1.06	3.70	2.69	1.08	3.82	2.92	1.08	4.07	2.93	1.09	4.20	3.16	1.10	4.45	3.15	1.11	4.70	3.36	1.12	
40	3.20	2.38	1.06	3.56	2.39	1.08	3.68	2.60	1.08	3.93	2.61	1.09	4.05	2.82	1.10	4.29	2.81	1.11	4.53	2.99	1.12	
46	3.08	2.21	1.06	3.43	2.22	1.07	3.55	2.41	1.08	3.79	2.42	1.09	3.90	2.62	1.10	4.14	2.60	1.11	4.37	2.77	1.12	

4-2. Heating capacity

NOTE: Values mentioned in the table are calculated based on the maximum capacity.

Model: AOYG09KMCDN

AFR	m ³ /h	750
-----	-------------------	-----

			Indoor temperature																			
			16			18			20			22			24							
			TC	IP	kW	TC	IP	kW	TC	IP	kW	TC	IP	kW	TC	IP	kW					
Outdoor temperature	°CDB	°CWB	2.91	1.55	2.84	1.58	2.77	1.62	2.70	1.65	2.63	1.68	3.24	1.66	3.16	1.70	3.09	1.73	3.01	1.77	2.93	1.80
	-25	-26	3.57	1.77	3.49	1.81	3.40	1.85	3.32	1.88	3.23	1.92	4.12	1.86	4.02	1.90	3.92	1.94	3.82	1.98	3.73	2.02
	-20	-21	4.67	1.95	4.56	1.99	4.45	2.04	4.33	2.08	4.22	2.12	5.22	2.04	5.09	2.09	4.97	2.13	4.84	2.17	4.72	2.21
	-15	-16	5.77	2.13	5.63	2.18	5.49	2.22	5.35	2.27	5.22	2.31	6.09	2.16	5.95	2.21	5.80	2.25	5.66	2.30	5.51	2.34
	-10	-11	6.09	2.16	5.95	2.21	5.80	2.25	5.66	2.30	5.51	2.34	6.20	2.15	6.05	2.20	5.90	2.24	5.75	2.29	5.60	2.33
	-5	-7	6.20	2.15	6.05	2.20	5.90	2.24	5.75	2.29	5.60	2.33	6.20	2.15	6.05	2.20	5.90	2.24	5.75	2.29	5.60	2.33
	0	-2	6.20	2.15	6.05	2.20	5.90	2.24	5.75	2.29	5.60	2.33	6.20	2.15	6.05	2.20	5.90	2.24	5.75	2.29	5.60	2.33
	5	3	6.20	2.15	6.05	2.20	5.90	2.24	5.75	2.29	5.60	2.33	6.20	2.15	6.05	2.20	5.90	2.24	5.75	2.29	5.60	2.33
	7	6	6.20	2.15	6.05	2.20	5.90	2.24	5.75	2.29	5.60	2.33	6.20	2.15	6.05	2.20	5.90	2.24	5.75	2.29	5.60	2.33
	10	8	6.20	2.15	6.05	2.20	5.90	2.24	5.75	2.29	5.60	2.33	6.20	2.15	6.05	2.20	5.90	2.24	5.75	2.29	5.60	2.33
15	10	6.20	2.15	6.05	2.20	5.90	2.24	5.75	2.29	5.60	2.33	6.20	2.15	6.05	2.20	5.90	2.24	5.75	2.29	5.60	2.33	

Model: AOYG12KMCDN

AFR	m ³ /h	780
-----	-------------------	-----

			Indoor temperature																			
			16			18			20			22			24							
			TC	IP	kW	TC	IP	kW	TC	IP	kW	TC	IP	kW	TC	IP	kW					
Outdoor temperature	°CDB	°CWB	3.44	1.78	3.36	1.81	3.28	1.85	3.20	1.89	3.12	1.92	3.98	1.94	3.88	1.98	3.79	2.02	3.70	2.06	3.60	2.10
	-25	-26	4.52	2.10	4.41	2.14	4.30	2.19	4.19	2.23	4.09	2.27	4.90	2.19	4.78	2.23	4.66	2.28	4.55	2.32	4.43	2.36
	-20	-21	5.28	1.88	5.15	1.92	5.03	1.96	4.90	2.00	4.78	2.04	5.66	1.99	5.53	2.03	5.39	1.85	5.26	1.89	5.12	1.93
	-15	-16	6.04	1.67	5.90	1.70	5.75	1.74	5.61	1.77	5.47	1.81	6.20	1.63	6.05	1.66	5.90	1.69	5.75	1.73	5.61	1.76
	-10	-11	6.20	1.55	6.05	1.58	5.90	1.61	5.75	1.64	5.61	1.67	6.20	1.55	6.05	1.58	5.90	1.61	5.75	1.64	5.61	1.67
	-5	-7	6.20	1.55	6.05	1.58	5.90	1.61	5.75	1.64	5.61	1.67	6.20	1.55	6.05	1.58	5.90	1.61	5.75	1.64	5.61	1.67
	0	-2	6.20	1.55	6.05	1.58	5.90	1.61	5.75	1.64	5.61	1.67	6.20	1.55	6.05	1.58	5.90	1.61	5.75	1.64	5.61	1.67
	5	3	6.20	1.55	6.05	1.58	5.90	1.61	5.75	1.64	5.61	1.67	6.20	1.55	6.05	1.58	5.90	1.61	5.75	1.64	5.61	1.67
	7	6	6.20	1.55	6.05	1.58	5.90	1.61	5.75	1.64	5.61	1.67	6.20	1.55	6.05	1.58	5.90	1.61	5.75	1.64	5.61	1.67
	10	8	6.20	1.55	6.05	1.58	5.90	1.61	5.75	1.64	5.61	1.67	6.20	1.55	6.05	1.58	5.90	1.61	5.75	1.64	5.61	1.67
15	10	6.20	1.55	6.05	1.58	5.90	1.61	5.75	1.64	5.61	1.67	6.20	1.55	6.05	1.58	5.90	1.61	5.75	1.64	5.61	1.67	

Model: AOYG14KMCDN

AFR	m ³ /h	820
-----	-------------------	-----

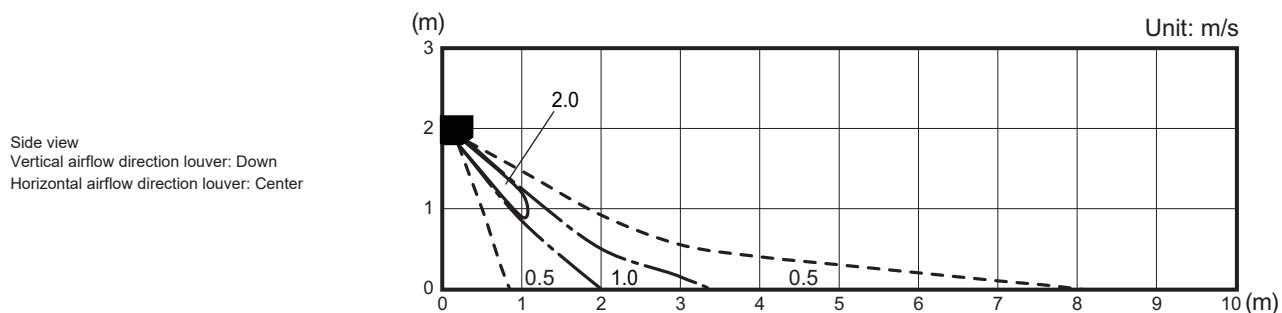
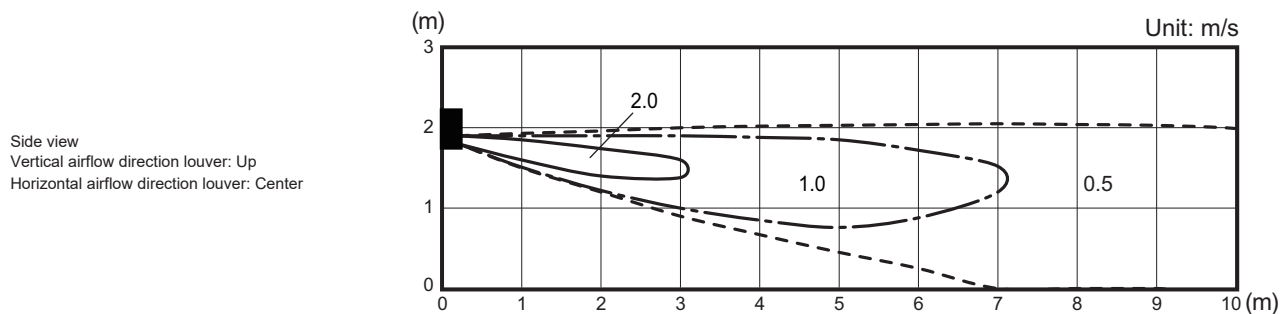
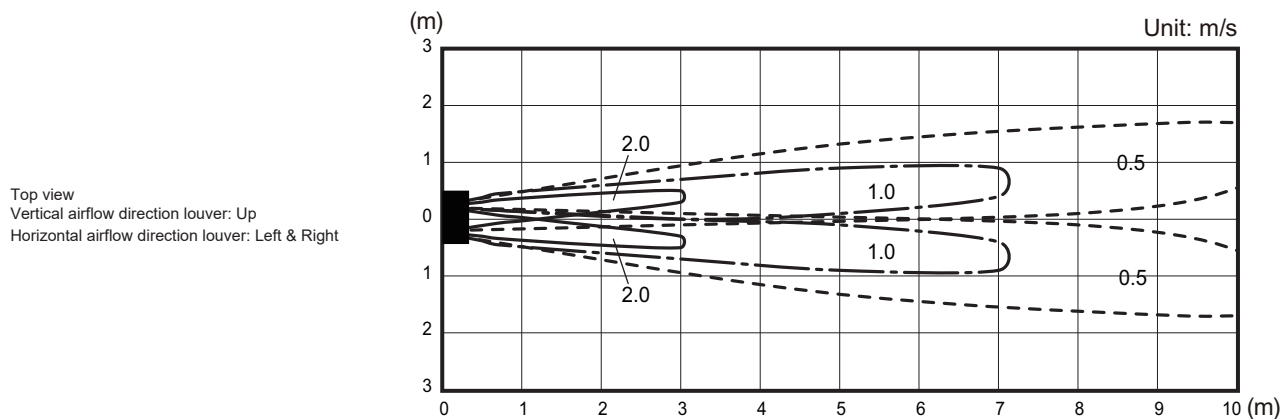
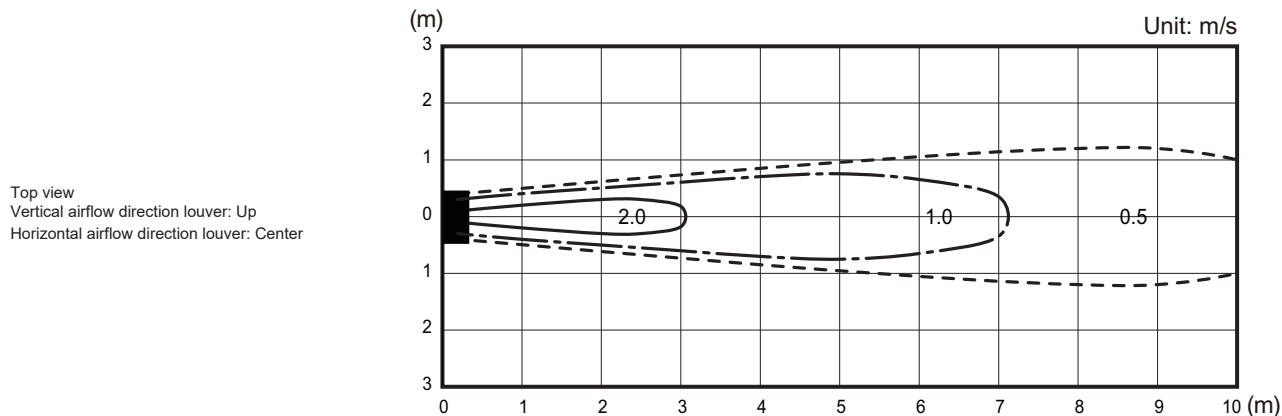
			Indoor temperature																			
			16			18			20			22			24							
			TC	IP	kW	TC	IP	kW	TC	IP	kW	TC	IP	kW	TC	IP	kW					
Outdoor temperature	°CDB	°CWB	4.90	2.61	4.79	2.66	4.67	2.71	4.55	2.77	4.44	2.82	5.60	2.89	5.47	2.95	5.34	3.01	5.20	3.07	5.07	3.13
	-25	-26	6.30	3.17	6.15	3.23	6.00	3.30	5.85	3.36	5.70	3.43	6.40	2.84	6.24	2.90	6.09	2.96	5.94	3.02	5.79	3.08
	-20	-21	6.49	2.52	6.34	2.57	6.18	2.63	6.03	2.68	5.87	2.73	6.59	2.20	6.43	2.24	6.27	2.29	6.12	2.34	5.96	2.38
	-15	-16	6.68	1.88	6.52	1.91	6.36	1.95	6.20	1.99	6.05	2.03	6.72	1.75	6.56	1.78	6.40	1.82	6.24	1.86	6.08	1.89
	-10	-11	6.72	1.62	6.56	1.65	6.40	1.68	6.24	1.72	6.08	1.75	6.72	1.62	6.56	1.65	6.40	1.68	6.24	1.72	6.08	1.75
	-5	-7	6.72	1.62	6.56	1.65	6.40	1.68	6.24	1.72	6.08	1.75	6.72	1.62	6.56	1.65	6.40	1.68	6.24	1.72	6.08	1.75
	0	-2	6.72	1.62	6.56	1.65	6.40	1.68	6.24	1.72	6.08	1.75	6.72	1.62	6.56	1.65	6.40	1.68	6.24	1.72	6.08	1.75
	5	3	6.72	1.62	6.56	1.65	6.40	1.68	6.24	1.72	6.08	1.75	6.72	1.62	6.56	1.65	6.40	1.68	6.24	1.72	6.08	1.75
	7	6	6.72	1.62	6.56	1.65	6.40	1.68	6.24	1.72	6.08	1.75	6.72	1.62	6.56	1.65	6.40	1.68	6.24	1.72	6.08	1.75
	10	8	6.72	1.62	6.56	1.65	6.40	1.68	6.24	1.72	6.08	1.75	6.72	1.62	6.56	1.65	6.40	1.68	6.24	1.72	6.08	1.75
15	10	6.72	1.62	6.56	1.65	6.40	1.68	6.24	1.72	6.08	1.75	6.72	1.62	6.56	1.65	6.40	1.68	6.24	1.72	6.08	1.75	

5. Fan performance

5-1. Air velocity distributions

■ Models: ASYG09KMCDN, ASYG12KMCDN, and ASYG14KMCDN

Measuring conditions	Fan speed	Operation mode
	HIGH	FAN



5-2. Airflow

■ Model: ASYG09KMCDN

● Cooling

Fan speed	Airflow	
HIGH	m ³ /h	670
	l/s	186
	CFM	394
MED	m ³ /h	530
	l/s	147
	CFM	312
LOW	m ³ /h	410
	l/s	114
	CFM	241
QUIET	m ³ /h	280
	l/s	78
	CFM	165

● Heating

Fan speed	Airflow	
HIGH	m ³ /h	750
	l/s	208
	CFM	441
MED	m ³ /h	620
	l/s	172
	CFM	365
LOW	m ³ /h	510
	l/s	142
	CFM	300
QUIET	m ³ /h	290
	l/s	81
	CFM	171

■ Model: ASYG12KMCDN

● Cooling

Fan speed	Airflow	
HIGH	m ³ /h	690
	l/s	192
	CFM	406
MED	m ³ /h	560
	l/s	156
	CFM	330
LOW	m ³ /h	450
	l/s	125
	CFM	265
QUIET	m ³ /h	280
	l/s	78
	CFM	165

● Heating

Fan speed	Airflow	
HIGH	m ³ /h	780
	l/s	217
	CFM	459
MED	m ³ /h	630
	l/s	175
	CFM	371
LOW	m ³ /h	520
	l/s	144
	CFM	306
QUIET	m ³ /h	290
	l/s	81
	CFM	171

■ Model: ASYG14KMCDN

● Cooling

Fan speed	Airflow	
HIGH	m ³ /h	770
	l/s	214
	CFM	453
MED	m ³ /h	600
	l/s	167
	CFM	353
LOW	m ³ /h	450
	l/s	125
	CFM	265
QUIET	m ³ /h	280
	l/s	78
	CFM	165

● Heating

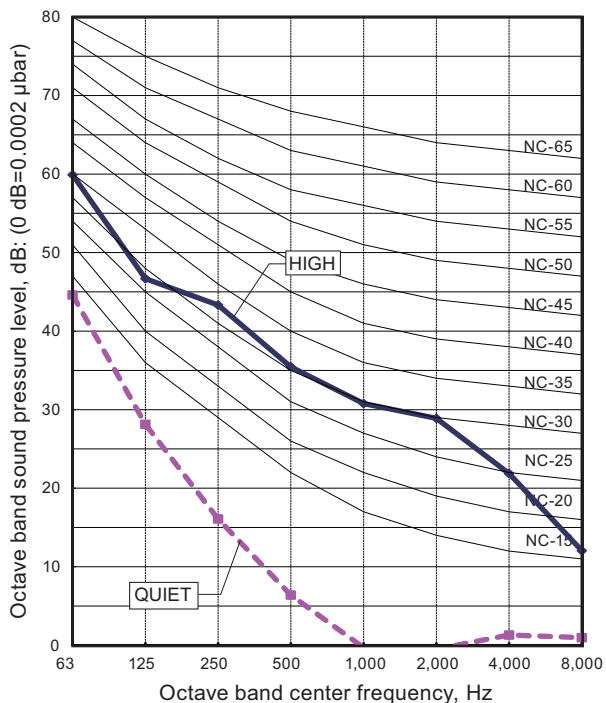
Fan speed	Airflow	
HIGH	m ³ /h	820
	l/s	228
	CFM	483
MED	m ³ /h	650
	l/s	181
	CFM	383
LOW	m ³ /h	520
	l/s	144
	CFM	306
QUIET	m ³ /h	340
	l/s	94
	CFM	200

6. Operation noise (sound pressure)

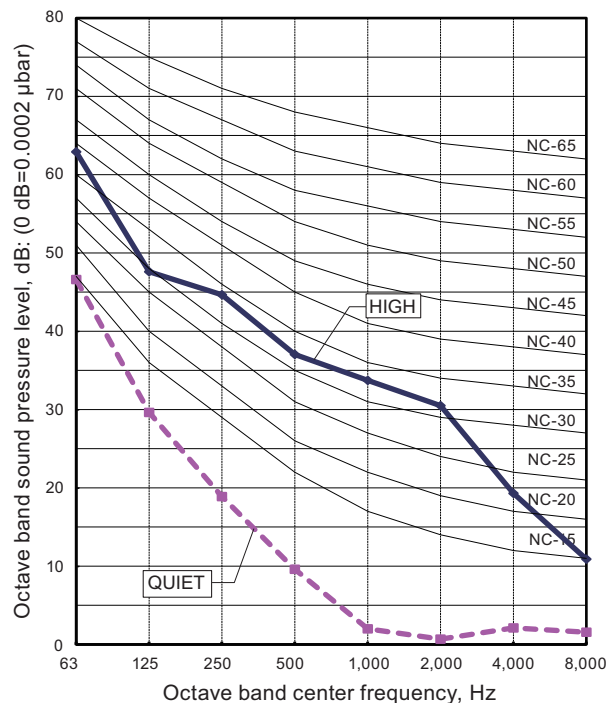
6-1. Noise level curve

Model: ASYG09KMCDN

Cooling

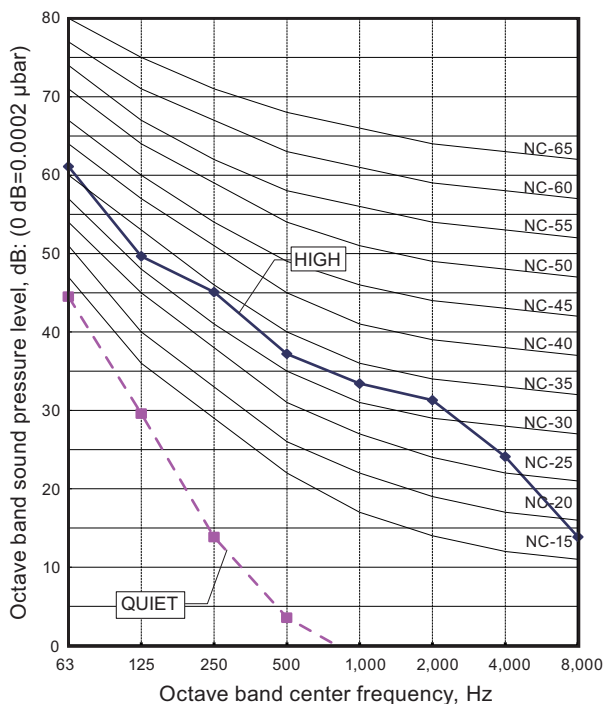


Heating

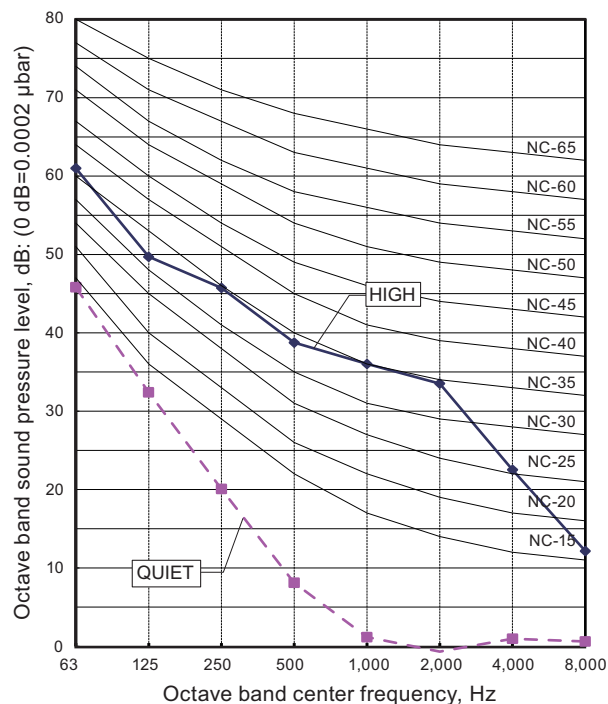


Model: ASYG12KMCDN

Cooling

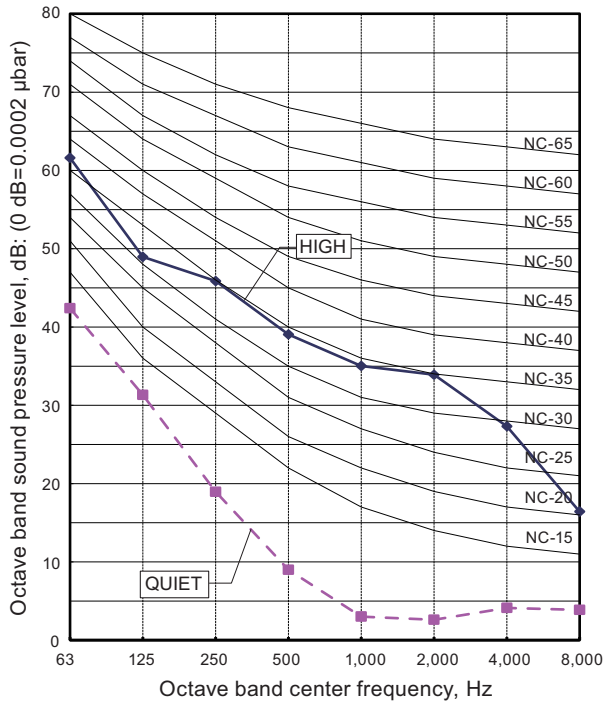


Heating

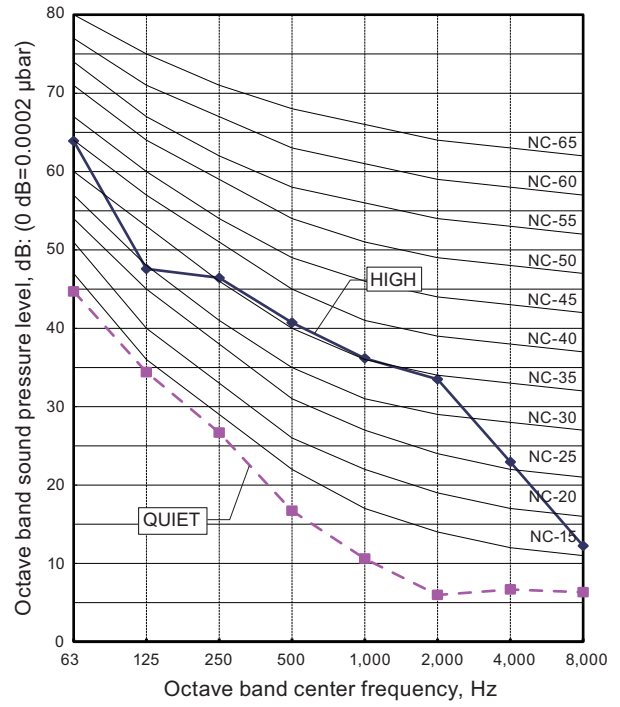


Model: ASYG14KMCDN

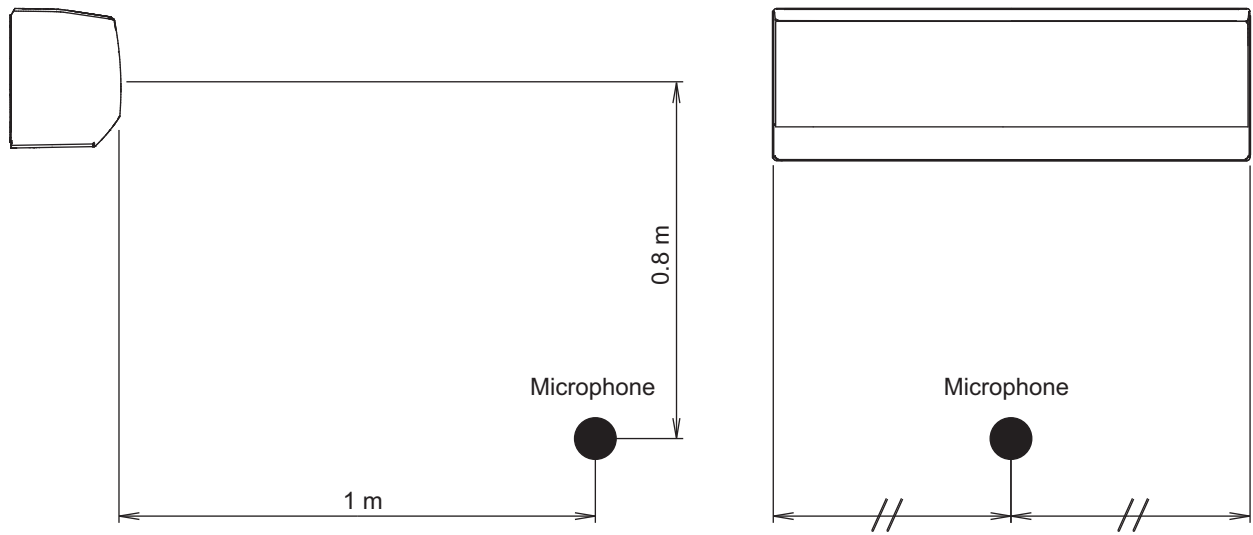
● Cooling



● Heating



6-2. Sound level check point



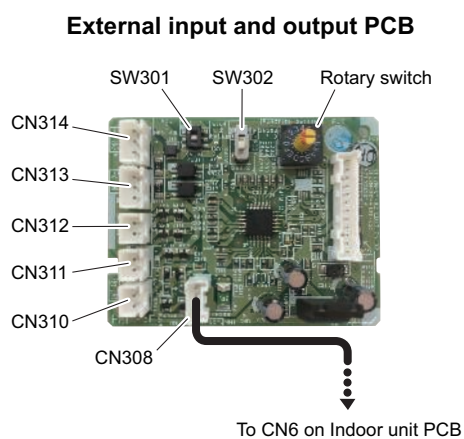
NOTE: Detailed shape of the actual indoor unit might be slightly different from the one illustrated above.

7. Safety devices

Type of protection	Protection form		Model		
			ASYG09KMCDN	ASYG12KMCDN	ASYG14KMCDN
Circuit protection	Current fuse (PCB*)		250 V, 3.15 A		
Fan motor protection	Thermal protection	Activate	170 ⁺²⁵ ₋₃₀ °C Fan motor stop		
		Reset	145 ⁺²⁵ ₋₃₀ °C Fan motor restart		

*PCB: Printed Circuit Board

8. External input and output



PCB	External input	External output	Connector	Input select	Input signal
External input and output (UTY-XCSXZ2)	Operation/Stop	—	CN313/ CN314	Dry contact/ Apply voltage	Edge/Pulse
	Forced stop		CN313		Edge
	Forced thermostat off			—	—
	—	Operation status	CN310	—	—
	—	Error status	CN311		
	—	Indoor unit fan operation status	CN312		

NOTE: External input and output PCB cannot be used with Wireless LAN adapter simultaneously.

8-1. External input

With using external input function, some functions on this product can be controlled from an external device.

- "Operation/Stop" mode or "Forced stop" mode can be selected with function setting of indoor unit.
- A twisted pair cable should be used. Maximum length of cable is 150 m.
- The wire connection should be separate from the power cable line.

External input and output PCB

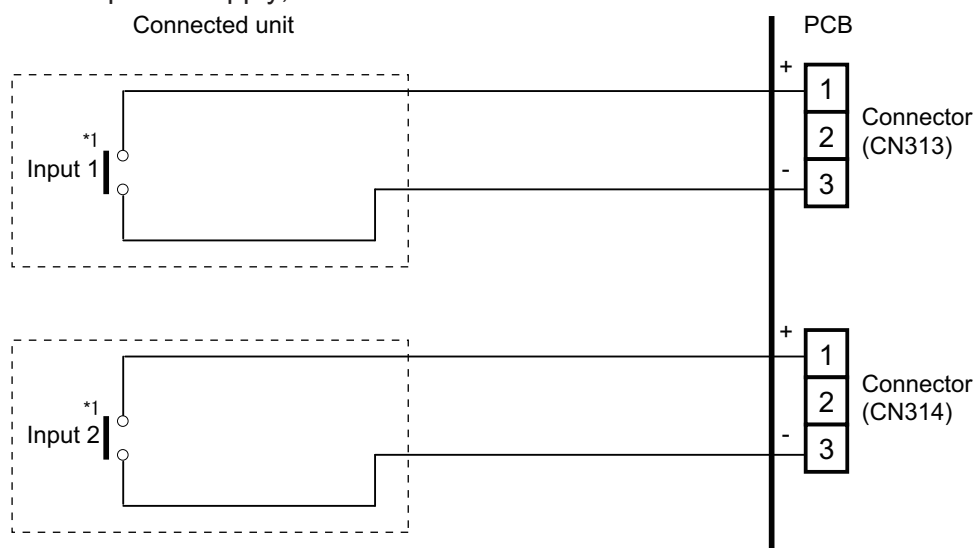
The indoor unit Operation/Stop can be set by using the input connector on the PCB.

Input select:

Use either one of these types of connectors according to the application. (Both types of connectors cannot be used simultaneously.)

– Dry contact

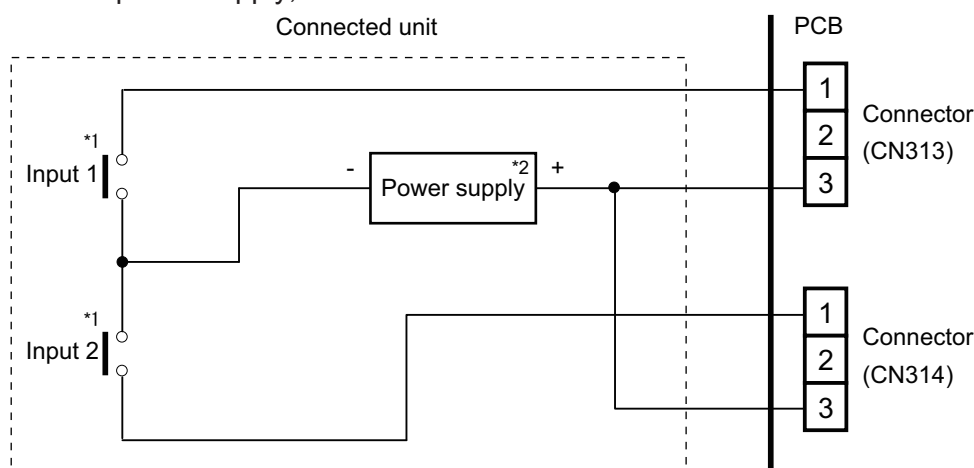
In case of internal power supply, set the slide switch of SW301 to "NON VOL" side.



*1: The switches can be used on the following condition: DC 12 V to 24 V, 1 mA to 15 mA.

– Apply voltage

In case of external power supply, set the slide switch of SW301 to "VOL" side.



*1: The switches can be used on the following condition: DC 12 V to 24 V, 1 mA to 15 mA.

*2: Make the power supply DC 12 to 24 V, 10 mA or more.

8-2. External output

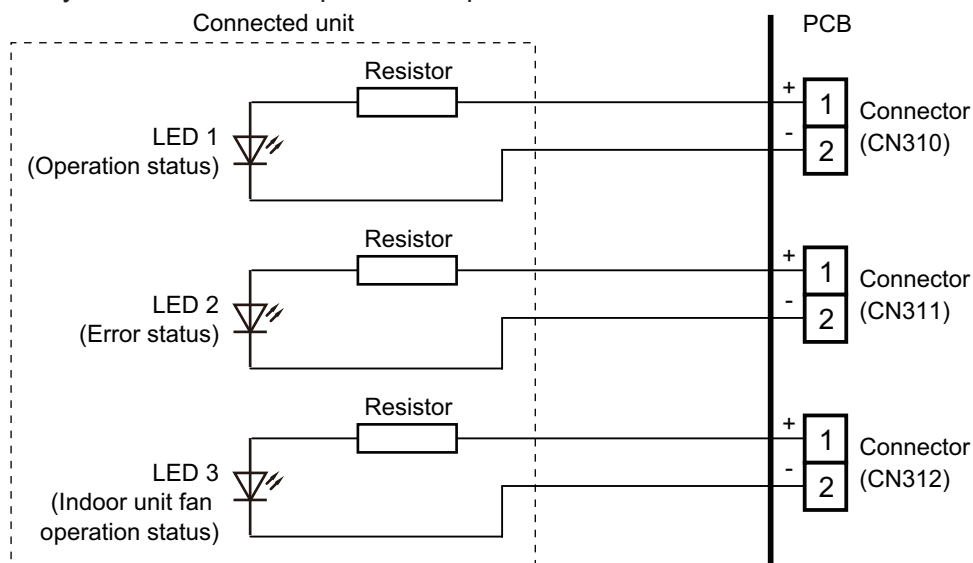
Use an external output cable with appropriate external dimension, depending on the number of cables to be installed.

External input and output PCB

- A twisted pair cable (22AWG) should be used. Maximum length of cable is 25 m.
- Output voltage: High DC 12 V \pm 2 V, Low 0 V.
- Permissible current: 50 mA
- For details, refer to ["Combination of external input and output"](#) on page 20.

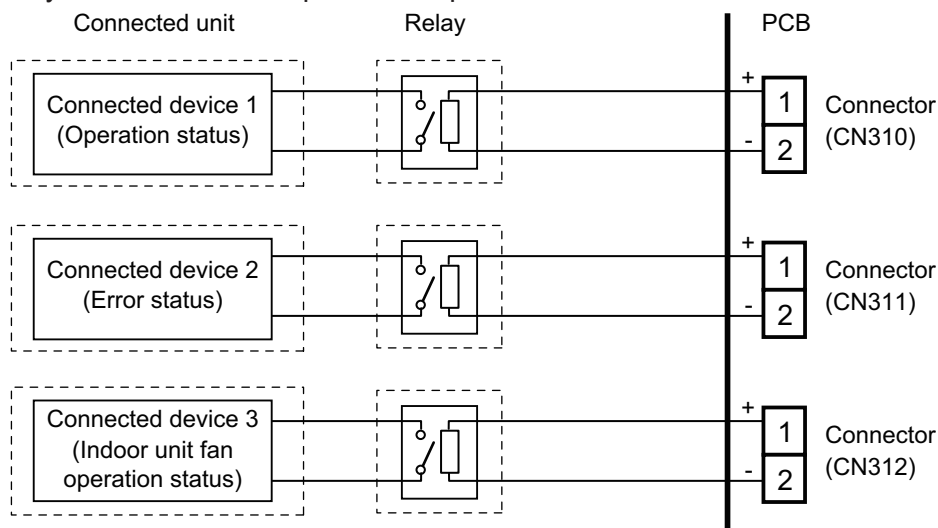
- **When indicator or other components are connected directly:**

Example: Rotary SW on External input and output PCB is set to "1".



- **When connecting with a device equipped with a power supply:**

Example: Rotary SW on External input and output PCB is set to "1".



8-3. Combination of external input and output

By combining the function setting of the indoor unit and rotary switch setting of the External input and output PCB, you can select various combinations of functions.

Combination examples of external input and output are as follows:

Mode	External input and output PCB (Rotary SW)	External input		
		External input and output PCB		
		CN313	CN314	Signal type
0-1	1	Operation/Stop	Not available	Edge
		Operation	Stop	Pulse
0-2	2	Forced Thermostat OFF	Not available	Edge
1—8	3 - 9, A	(Setting prohibited)		
9	B	Forced Thermostat OFF	Not available	Edge
10	C	Forced Thermostat OFF	Not available	Edge
11	D	Forced Thermostat OFF	Not available	Edge

Mode	External input and output PCB (Rotary SW)	External output		
		External input and output PCB		
		CN310	CN311	CN312
0-1	1	Operation/Stop	Error status	Indoor unit fan operation status
0-2	2	Error status	Indoor unit fan operation status	Not available
1—8	3 - 9, A	(Setting prohibited)		
9	B	Operation/Stop	Indoor unit fan operation status	Not available
10	C	Operation/Stop	Error status	Not available
11	D	Operation/Stop	Indoor unit fan operation status	Error status

NOTE: Input of Operation/Stop depends on the setting of function setting 46.

00: Operation/Stop mode 1 (R.C. enabled)

01: (Setting prohibited)

02: Forced stop

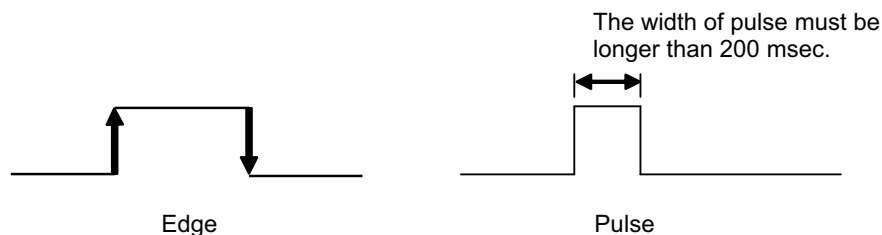
03: Operation/Stop mode 2 (R.C. disabled)

Input signal type

External input and output PCB:

The input signal type can be selected.

Signal type (edge or pulse) can be switched by the DIP switch SW302 on the External input and output PCB.

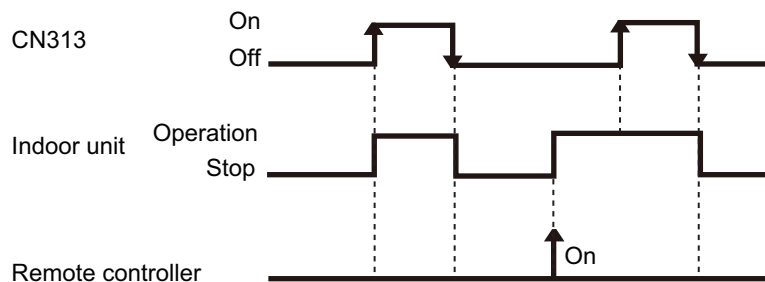


8-4. Details of function

■ Control input function

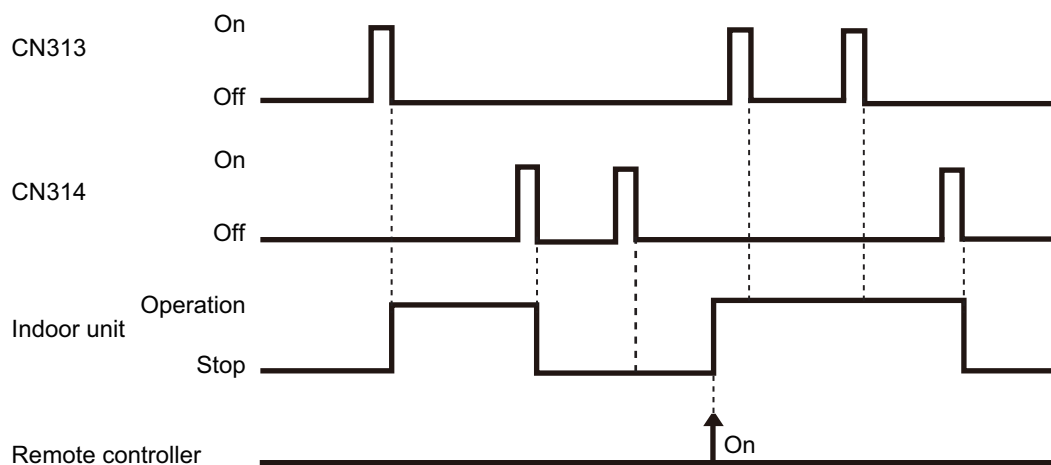
- When function setting is “Operation/Stop” mode 1
 - In the case of “Edge” input:

Function setting	Rotary SW on External input and output PCB	External input		Input signal	Command
		External input and output PCB	CN313		
46-00	1			Off → On	Operation
				On → Off	Stop



- In the case of “Pulse” input:

Function setting	Rotary SW on External input and output PCB	External input		Input signal	Command
		External input and output PCB	CN313 CN314		
46-00	1		CN313	Pulse	Operation
			CN314	Pulse	Stop



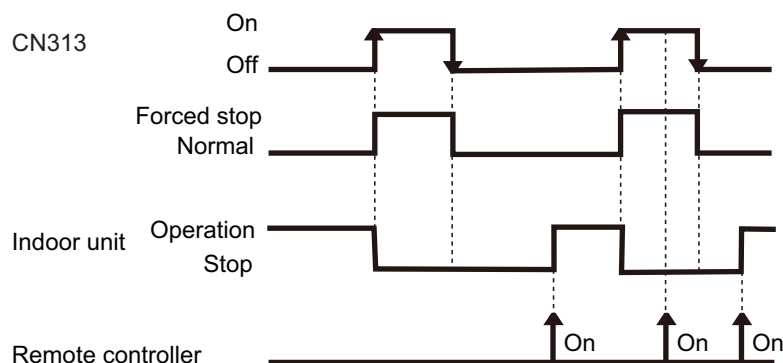
NOTES:

- The last command has priority.
- The indoor units within the same remote controller group operates in the same mode.

• When function setting is “Forced stop” mode

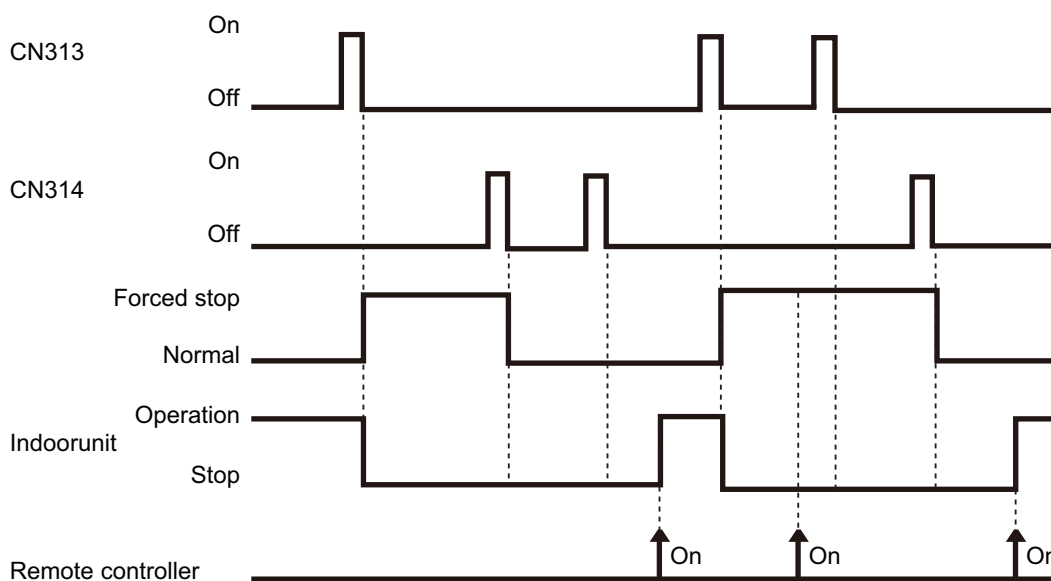
– In the case of “Edge” input:

Function setting	Rotary SW on External input and output PCB	External input		Input signal	Command
		External input and output PCB	CN313		
46-02	1			Off → On	Forced stop
				On → Off	Normal



– In the case of “Pulse” input:

Function setting	Rotary SW on External input and output PCB	External input		Input signal	Command
		External input and output PCB	CN313 CN314		
46-02	1		CN313	Pulse	Forced stop
			CN314	Pulse	Normal



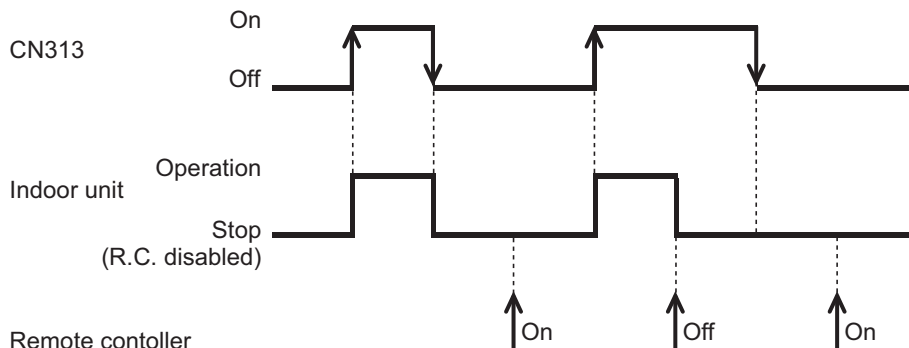
NOTES:

- When the forced stop is triggered, indoor unit stops and Operation/Stop operation by the remote controller is restricted.
- When forced stop function is used with forming a remote controller group, connect the same equipment to each indoor unit within the group.

• When function setting is “Operation/Stop” mode 2

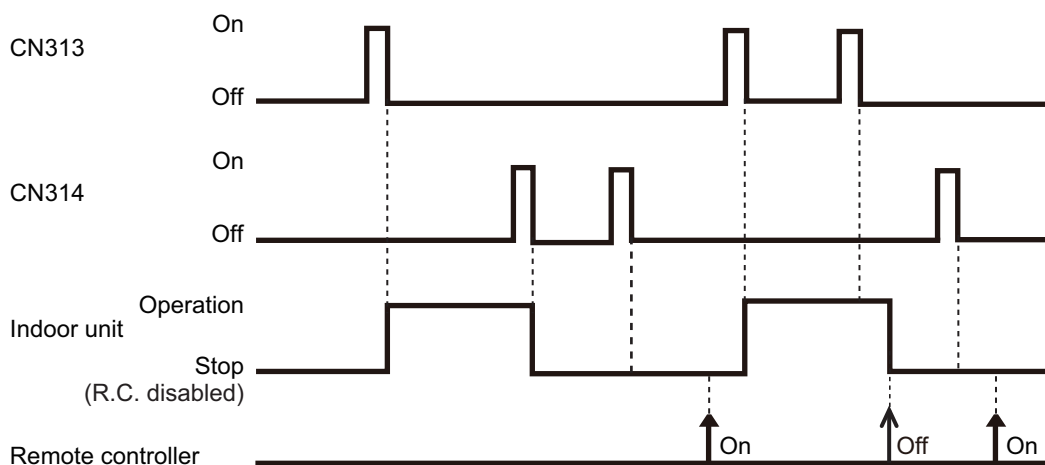
– In the case of “Edge” input:

Function setting	Rotary SW on External input and output PCB	External input		Input signal	Command
46-03	1	External input and output PCB	CN313	Off → On	Operation
				On → Off	Stop (R.C. disabled)



– In the case of “Pulse” input:

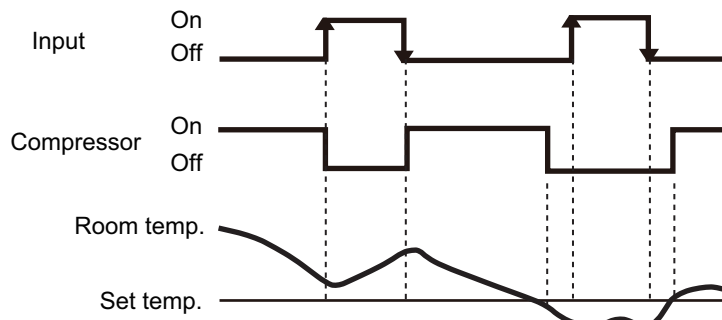
Function setting	Rotary SW on External input and output PCB	External input		Input signal	Command
46-03	1	External input and output PCB	CN313	Pulse	Operation
			CN314	Pulse	Stop (R.C. disabled)



NOTE: When “Operation/Stop” mode 2 function is used with forming a remote controller group, connect the same equipment to each indoor unit within the group.

• Forced thermostat off function

Rotary SW on External input and output PCB	External input		Input signal	Command
2	External input and output PCB	CN313	Off → On	Thermostat off
B			On → Off	Normal operation
C				

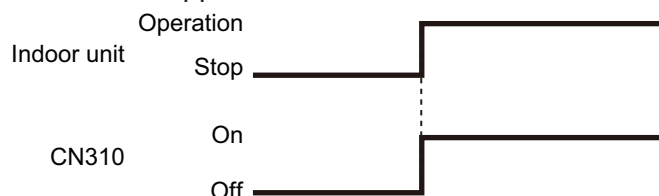


Control output function

• Operation/Stop status

Rotary SW on External input and output PCB	External output		Output signal	Command
1 B C D	External input and output PCB	CN310	Off → On	Operation
On → Off			Stop	

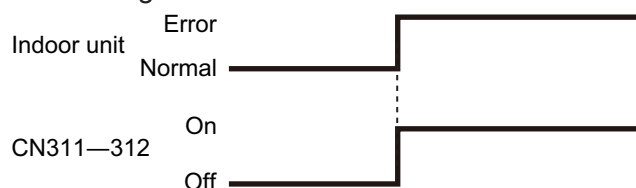
The output is low when the unit is stopped.



• Error status

Rotary SW on External input and output PCB	External output		Output signal	Command
1 C	External input and output PCB	CN311	Off → On	Error
			On → Off	Normal
D		CN312	Off → On	Error
			On → Off	Normal

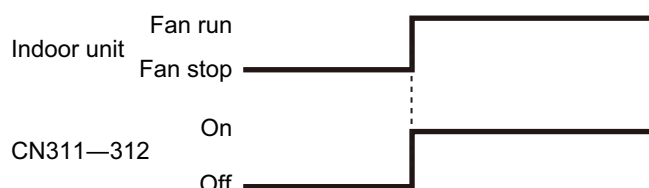
The output is ON when an error is generated for the indoor unit.



• Indoor unit fan operation status

Rotary SW on External input and output PCB	External output		Output signal	Command
1	External input and output PCB	CN312	Off → On	Fan run
			On → Off	Fan stop
2 B D		CN311	Off → On	Fan run
			On → Off	Fan stop

Output signal	Condition
On Low → High	The indoor unit fan is operating.
Off High → Low	The fan is stopped or during cold air prevention. During thermostat off when in dry mode operation.



9. Group connection

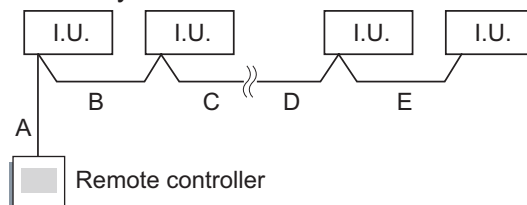
NOTE: Group control cannot be used together with Wireless LAN adapter.

Installation procedure for group control system:

A number of indoor units can be operated at the same time using a single remote controller.

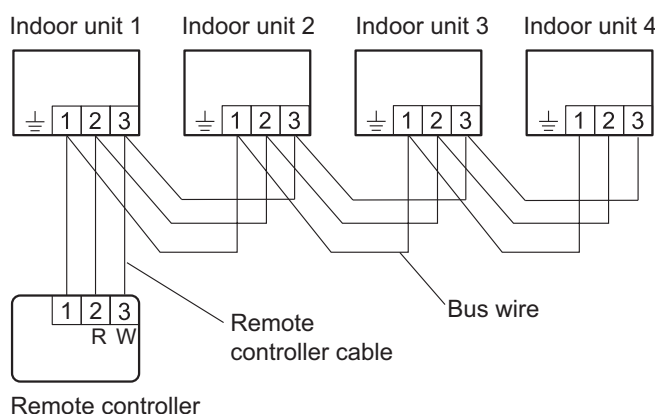
NOTE: When different type of indoor units (such as wall mounted type and cassette type, cassette type and duct type, or other combinations) are connected using group control system, some functions may no longer be available.

1. Connect up to 16 indoor units in a system.



A, B, C, D, E: Remote controller cable	
Wiring length limitation	$A + B + C + D + E \leq 500 \text{ m}$

Example of wiring method



2. Set the R.C. address. (Function setting)

- Addresses will be automatically set when initially starting up this unit. In such a case, do not change the remote controller address for the indoor unit, and keep it at the initial setting of "00".
- Only set addresses manually when using different numbers for addresses. Set the R.C. address of each indoor unit using the function setting. (Refer to "Remote controller address setting" in ["Contents of function setting"](#) on page 31.)

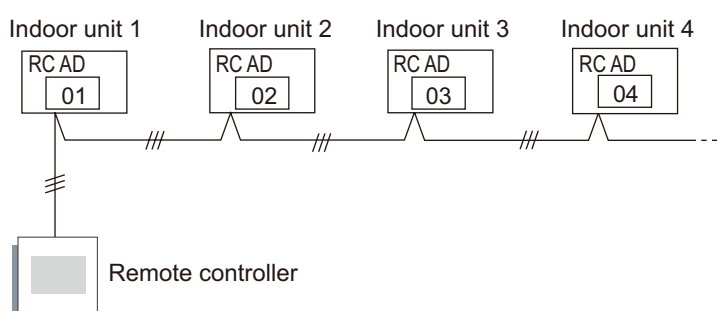
NOTES:

- Do not use the same setting value.
- Setting is reflected after the power is turned on again.

Also set the R.C. address for the remote controller. For details, refer to the remote controller installation manual.

NOTE: In manual setting, connect up to 15 indoor units in a system.

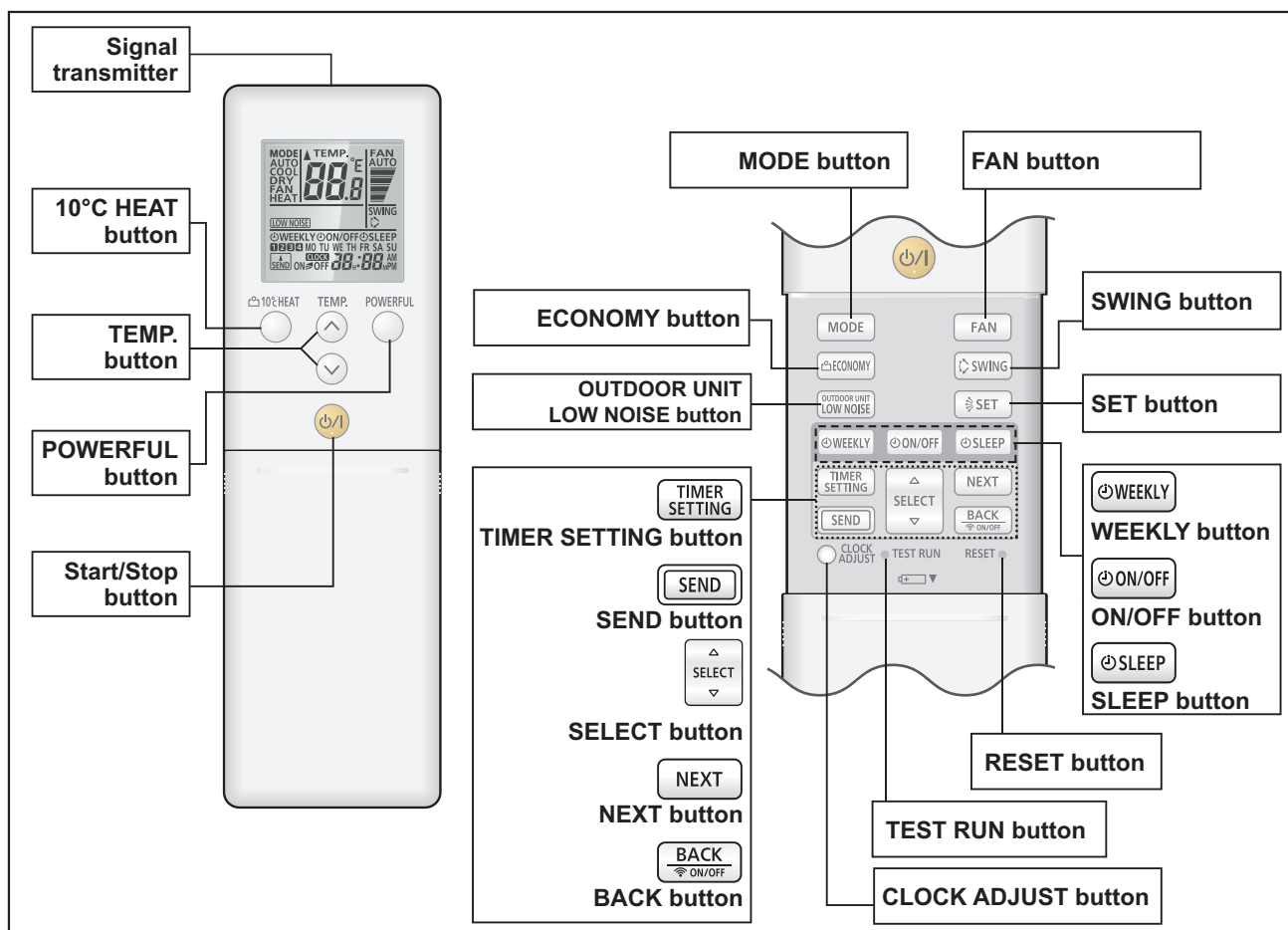
Example of wiring method



10. Remote controller

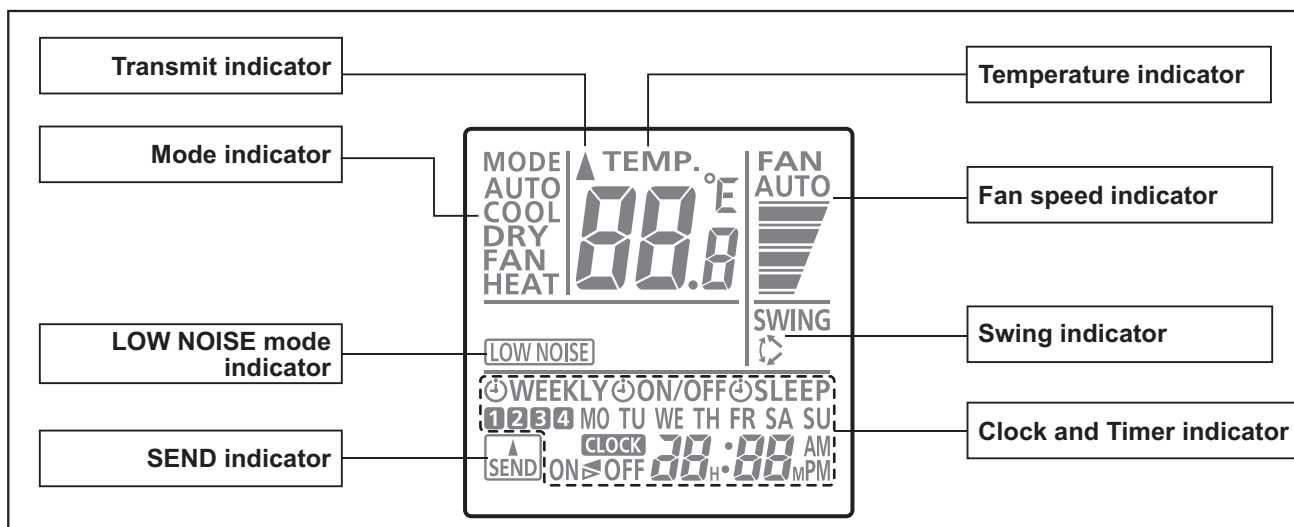
10-1. Wireless remote controller

Overview



NOTE: Functions may differ by type of the indoor unit. For details, refer to the operation manual.

Display panel

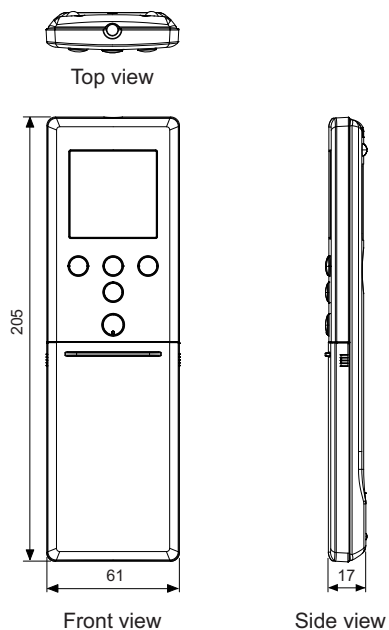


To facilitate explanation, the accompanying illustration has been drawn to show all possible indicators; in actual operation, however, the display will only show those indicators appropriate to the current operation.

■ Specifications

● Controller

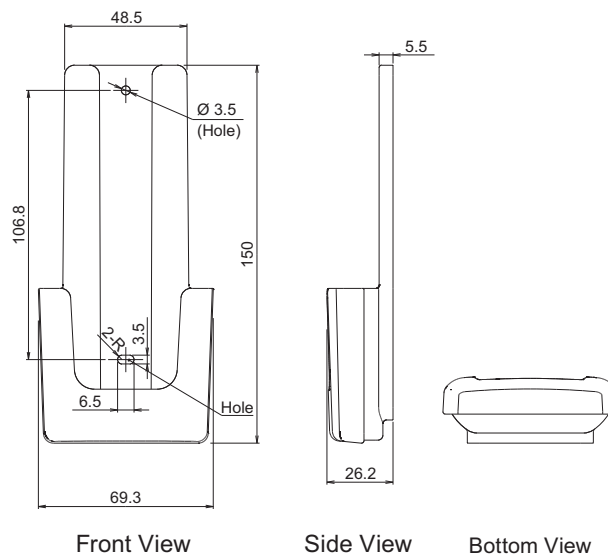
Unit: mm



Size (H × W × D)	mm	205 × 61 × 17
Weight	g	124 (without batteries)

● Holder

Unit: mm



Size (H × W × D)	mm	150 × 69.3 × 26.2
Weight	g	27

11. Function settings

To adjust the functions of this product according to the installation environment, various types of function settings are available.

NOTE: Incorrect settings can cause a product malfunction.

11-1. Function settings by using remote controller

Some function settings can be changed on the remote controller. After confirming the setting procedure and the content of each function setting, select appropriate functions for your installation environment.

■ Setting procedure by using wireless remote controller

The function number and the associated setting value are displayed on the LCD of the remote controller. Follow the instructions written in the local setup procedure supplied with the remote controller, and select appropriate setting according to the installation environment.

Before connecting the power supply of the indoor unit, reconfirm following items:

- Cover for the electrical enclosure on the outdoor unit is in place.
- There is no wiring mistake.
- Piping air tight test and vacuuming have been performed firmly.
- All the necessary wiring work for outdoor unit has been finished.

After reconfirming the items listed above, connect the power supply of the indoor unit.

NOTES:

- Settings will not be changed if invalid numbers or setting values are selected.
- When optional wired remote controller is used, refer to the installation manual enclosed with the remote controller.

Entering function setting mode:

While pressing the POWERFUL button and TEMP. (^) button simultaneously, press the RESET button to enter the function setting mode.

Selecting the function number and setting value:

1. Press the TEMP. (^) (v) buttons to select the function number. To switch between the left and right digits, press the 10 °C HEAT button.
2. Press the POWERFUL button to proceed to value setting. To return the function number selection, press the POWERFUL button again.
3. Press the TEMP. (^) (v) buttons to select the setting value. To switch between the left and right digits, press the 10 °C HEAT button.
4. Press the MODE button once. Confirm that you hear the beep sound.
5. Press the START/STOP button to fix the function setting. Confirm that you hear the beep sound.
6. Press the RESET button to end the function setting mode.
7. After completing the function setting, be sure to disconnect the power supply and then reconnect it.



⚠ CAUTION

After disconnecting the power supply, wait 30 seconds or more before reconnecting it. The function setting will not become active unless the power supply is disconnected and then reconnected.

NOTES:

- The air conditioner custom code is set to \overline{H} prior to shipment.
- If you do not know the air conditioner custom code setting, try each of the custom codes ($\overline{H} \rightarrow \overline{b}$
 $\rightarrow \overline{c} \rightarrow \overline{d}$) until you find the code that operates the air conditioner.

■ Contents of function setting

Each function setting listed in this section is adjustable in accordance with the installation environment.

NOTE: Setting will not be changed if invalid numbers or setting values are selected.

● Function setting list

	Function no.	Functions
1)	00	Remote controller address setting
2)	11	Filter sign
3)	30/31	Room temperature control for indoor unit sensor
4)	35/36	Room temperature control for wired remote controller sensor
5)	40	Auto restart
6)	42	Room temperature sensor switching
7)	43	Cold air prevention
8)	44	Remote controller custom code
9)	46	External input control
10)	48	Room temperature sensor switching (Aux.)
11)	49	Indoor unit fan control for energy saving for cooling

1) Remote controller address setting

NOTE: This setting is configurable only by wireless remote controller, but not configurable by Polar 3-wired remote controller.

Multiple indoor units can be operated by using one wired remote controller.

Set the unit number of each indoor unit.

Function number	Setting value	Setting description	Factory setting
00	00	Unit no. 0	◆
	01	Unit no. 1	
	02	Unit no. 2	
	03	Unit no. 3	
	04	Unit no. 4	
	05	Unit no. 5	
	06	Unit no. 6	
	07	Unit no. 7	
	08	Unit no. 8	
	09	Unit no. 9	
	10	Unit no. 10	
	11	Unit no. 11	
	12	Unit no. 12	
	13	Unit no. 13	
	14	Unit no. 14	
	15	Unit no. 15	

NOTES:

- When connecting Polar 3-wired remote controller, set the remote controller address in the order of 0, 1, 2,, and 15.
- When different type of indoor units (such as wall mounted type and cassette type, cassette type and duct type, or other combinations) are connected using group control system, some functions may no longer be available.

2) Filter sign

Select appropriate intervals for displaying the filter sign on the indoor unit according to the estimated amount of dust in the air of the room.

If the indication is not required, select "No indication" (03).

Function number	Setting value	Setting description	Factory setting
11	00	Standard (400 hours)	
	01	Long interval (1,000 hours)	
	02	Short interval (200 hours)	
	03	No indication	◆

3) Room temperature control for indoor unit sensor

Depending on the installed environment, correction of the room temperature sensor may be required. Select the appropriate control setting according to the installed environment.

The temperature of the room temperature sensor is corrected as follows:

Corrected temp. = Temp. of the room temp. sensor - Correction temp. value

Example of correction:

When the temperature of the room temp. sensor is 26°C and the setting value is "03" (-1.0°C), corrected temp. will be 27°C (26°C - [-1.0°C]).

The temperature correction values show the difference from the Standard setting "00" (manufacturer's recommended value).

Function number	Setting value	Setting description	Factory setting		
30 (For cooling)	31 (For heating)	00	Standard setting	◆	
		01	No correction 0.0 °C		
		02	-0.5 °C	More cooling Less heating	
		03	-1.0 °C		
		04	-1.5 °C		
		05	-2.0 °C		
		06	-2.5 °C		
		07	-3.0 °C		
		08	-3.5 °C		
		09	-4.0 °C		
		10	+0.5 °C	Less cooling More heating	
		11	+1.0 °C		
		12	+1.5 °C		
		13	+2.0 °C		
		14	+2.5 °C		
		15	+3.0 °C		
		16	+3.5 °C		
17	+4.0 °C				

4) Room temperature control for wired remote controller sensor

Depending on the installed environment, correction of the wire remote temperature sensor may be required. Select the appropriate control setting according to the installed environment.

To change this setting, set Function 42 to Both "01".

Ensure that the Thermo Sensor icon is displayed on the remote controller screen.

Function number		Setting value	Setting description	Factory setting	
35 (For cooling)	36 (For heating)	00	Standard setting	◆	
		01	No correction 0.0°C		
		02	-0.5 °C	More cooling Less heating	
		03	-1.0 °C		
		04	-1.5 °C		
		05	-2.0 °C		
		06	-2.5 °C		
		07	-3.0 °C		
		08	-3.5 °C		
		09	-4.0 °C		
		10	+0.5 °C	Less cooling More heating	
		11	+1.0 °C		
		12	+1.5 °C		
		13	+2.0 °C		
		14	+2.5 °C		
		15	+3.0 °C		
		16	+3.5 °C		
17	+4.0 °C				

5) Auto restart

Enables or disables automatic restart after a power interruption.

Function number	Setting value	Setting description	Factory setting
40	00	Enable	◆
	01	Disable	

NOTE: Auto restart is an emergency function such as for power outage etc. Do not attempt to use this function in normal operation. Be sure to operate the unit by remote controller or external device.

6) Room temperature sensor switching

When using the wired remote controller temperature sensor, change the setting to "Both" (01).

Function number	Setting value	Setting description	Factory setting
42	00	Indoor unit	◆
	01	Both	

00: Sensor on the indoor unit is active.

01: Sensors on both indoor unit and wired remote controller are active.

NOTE: Remote controller sensor must be turned on by using the remote controller.

7) Cold air prevention

This setting is to disable the cold air prevention function during heating operation. When disabled, the fan setting will always follow the setting on the remote controller. (Excluding defrost mode)

Function number	Setting value	Setting description	Factory setting
43	00	Enable	◆
	01	Disable	

NOTE: The customer may feel the cold air at the time heating operation starts, and at the time outdoor unit recovers from defrosting operation if the "Cold air prevention control" is disabled by the local function setting.

8) Remote controller custom code

(Only for wireless remote controller)

The indoor unit custom code can be changed. Select the appropriate custom code.

Function number	Setting value	Setting description	Factory setting
44	00	A	◆
	01	B	
	02	C	
	03	D	

9) External input control

"Operation/Stop" mode or "Forced stop" mode can be selected.

Function number	Setting value	Setting description	Factory setting
46	00	Operation/Stop mode 1	◆
	01	(Setting prohibited)	
	02	Forced stop mode	
	03	Operation/Stop mode 2	

NOTE: If this function is necessary, the rotary switch on the External input and output PCB should be set to 1.

10) Room temperature sensor switching (Aux.)

To use the temperature sensor on the wired remote controller only, change the setting to "Wired remote controller" (01).

This function will only work if the function setting 42 is set at "Both" (01).

When the setting value is set to "Both" (00), more suitable control of the room temperature is possible by setting function setting 30 and 31 too.

Function number	Setting value	Setting description	Factory setting
48	00	Both	◆
	01	Wired remote controller	

11) Indoor unit fan control for energy saving for cooling

Enables or disables the power-saving function by controlling the indoor unit fan rotation when the outdoor unit is stopped during cooling operation.

Function number	Setting value	Setting description	Factory setting
49	00	Disable	
	01	Enable	
	02	Remote controller	◆

00: When the outdoor unit is stopped, the indoor unit fan operates continuously following the setting on the remote controller.

01: When the outdoor unit is stopped, the indoor unit fan operates intermittently at a very low speed.

02: Enable or disable this function by remote controller setting.

NOTES:

- As the factory setting, this setting is initially activated.
- Set to "00" or "01" when connecting a remote controller that cannot set the Fan control for energy saving function or connecting a network converter.
To confirm if the remote controller has this setting, refer to the operating manual of each remote controller.

11-2. Custom code setting for wireless remote controller

To interconnect the air conditioner and the wireless remote controller, assignment of the custom code for the wireless remote controller is required.

NOTE: Air conditioner cannot receive a signal if the air conditioner has not been set for the custom code.

When 2 or more air conditioners are installed in a room, and the remote controller is operating an air conditioner other than the one you wish to set, change the custom code of the remote controller to operate only the air conditioner you wish to set. (4 selections possible.)

Confirm the setting of the remote controller custom code and the function setting. If these do not match, the remote controller cannot be used to operate for the air conditioner.

1. Press the START/STOP button until only the clock is displayed on the remote controller display.
2. Press the MODE button for at least 5 seconds to display the current custom code. (Initially set to A .)
3. Press the TEMP. (\wedge) (\vee) buttons to change the custom code between $\text{A} \rightarrow \text{b} \rightarrow \text{c} \rightarrow \text{d}$. Match the code on the display to the air conditioner custom code. (Initially set to A .)
4. Press the MODE button again to return to the clock display. The custom code will be changed.


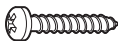


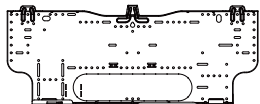




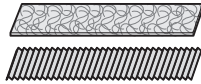



NOTES:

- If no button is pressed within 30 seconds after the custom code is displayed, the system returns to the original clock indicator. In this case, start again from step 1.
- The air conditioner custom code is set to A prior to shipment. To change the custom code, contact your retailer.
- If you do not know the assigned code for the air conditioner, try each of the custom code ($\text{A} \rightarrow \text{b} \rightarrow \text{c} \rightarrow \text{d}$) until you find the code which operates the air conditioner.

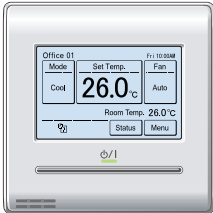
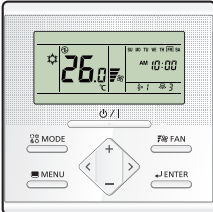
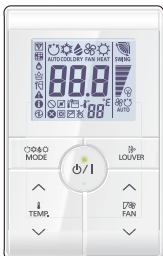
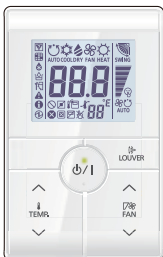
12. Accessories

12-1. Models: ASYG09KMCDN, ASYG12KMCDN, and ASYG14KMCDN

Part name	Exterior	Q'ty	Part name	Exterior	Q'ty
Operating manual		1	Tapping screw (large)		5
Installation manual		1	Tapping screw (small)		2
Wall hook bracket		1	Cloth tape		1
Remote controller		1	Filter holder		2
Remote controller holder		1	Air cleaning filters		1
Battery		2			

13. Optional parts

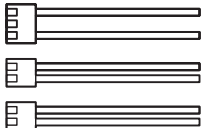

13-1. Controllers

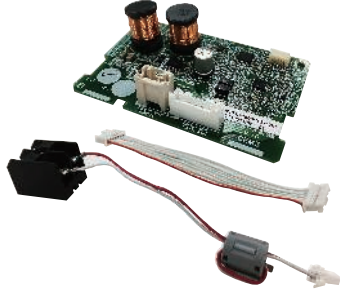


Exterior	Part name	Model name	Summary
	Wired remote controller	UTY-RNRYZ*	Easy finger touch operation with LCD panel. Backlit LCD enables easy operation in a dark room. Wire type: Non-polar 2-wire Optional communication kit is necessary for installation.
	Wired remote controller	UTY-RLRY	High visibility and easy operation. Room temperature can be accurately controlled using the built-in thermo sensor. Wire type: Non-polar 2-wire Optional communication kit is necessary for installation.
	Simple remote controller	UTY-RSRY	Compact remote controller concentrates on the basic functions such as Start/Stop, fan control, temperature setting, and operation mode. Wire type: Non-polar 2-wire Optional communication kit is necessary for installation.
	Simple remote controller	UTY-RHRY	Compact remote controller concentrates on the basic functions such as Start/Stop, fan control, and temperature setting. Wire type: Non-polar 2-wire Optional communication kit is necessary for installation.

NOTES:

- Available functions may differ by the remote controller. For details, refer to the operation manual.
- When using a Wireless LAN adapter, group controlling system of the wired remote controller is prohibited.

13-2. Others

Exterior	Part name	Model name	Summary
	External connect kit	UTY-XWZXZ5	Required when external device is connected.
	External input and output PCB	UTY-XCSXZ2	Use to connect with external devices and air conditioner PCB. Optional External connect kit is necessary for installation.

Exterior	Part name	Model name	Summary
	Communication kit	UTY-TWRXZ2	Use to connect Non-polar 2-core wired remote controller.
	Modbus converter	UTY-VMSX	For connection between indoor unit with UART interface and a Modbus open network.
	KNX converter	UTY-VKSX	For connection between indoor unit with UART interface and a KNX open network.

Part 2. OUTDOOR UNIT

SINGLE TYPE:

AOYG09KMCDN

AOYG12KMCDN

AOYG14KMCDN

1. Specifications

OUTDOOR UNIT
AOYG09-14KMCDN

OUTDOOR UNIT
AOYG09-14KMCDN

Type			Inverter heat pump		
Model name			AOYG09KMCDN	AOYG12KMCDN	AOYG14KMCDN
Power supply			230 V ~ 50 Hz		
Available voltage range			198—264 V		
Starting current			A	3.3	4.3
Fan	Airflow rate	Cooling	m ³ /h	1,770	2,210
		Heating		1,313	1,335
	Type × Qty	Propeller fan × 1			
Motor output			W	23	49
Sound pressure level *1	Cooling	Heating	dB (A)	48	49
				43	43
Sound power level	Cooling	Heating	dB (A)	59	61
				56	59
Heat exchanger type	Dimensions (H × W × D)	mm	Main1: 504 × 881 × 18.19	Main1: 588 × 881 × 18.19	Main1: 672 × 881 × 18.19
			Main2: 504 × 851 × 18.19	Main2: 588 × 851 × 18.19	Main2: 672 × 851 × 18.19
	Fin pitch	1.3			
	Rows × Stages	Main1: 1 × 24	Main1: 1 × 28	Main1: 1 × 32	
	Pipe type	Copper			
Fin type	Type (Material)	Corrugate (Aluminum)			
	Surface treatment	PC Fin			
Compressor	Type × Qty	DC TWIN ROTARY × 1			
	Motor output	W	810	900	1,060
Refrigerant	Type (Global warming potential)	R32 (675)			
	Charge	g	850	940	1,120
Refrigerant oil	Type	FW68S			RmM68AF
	Amount	cm ³	350		400
Enclosure	Material	Steel sheet			
	Color	Beige Approximate color of Munsell 10YR 7.5/1.0			
Dimensions (H × W × D)	Net	mm	542 × 799 × 290	632 × 799 × 290	716 × 820 × 315
	Gross		602 × 940 × 375	692 × 940 × 375	776 × 961 × 450
Weight	Net	kg	35		
	Gross		40		
Connection pipe	Size	Liquid	mm (in)	Ø 6.35 (Ø 1/4)	
		Gas		Ø 9.52 (Ø 3/8)	
	Method	Flare			
	Pre-charge length	m	15		
	Max. length		20		
Max. height difference	15				
Operation range	Cooling	°C	-10 to 43		
	Heating		-25 to 24		
NOTES:					
<ul style="list-style-type: none"> • Specifications are based on the following conditions: <ul style="list-style-type: none"> – Cooling: Indoor temperature of 27 °CDB/19 °CWB, and outdoor temperature of 35 °CDB/24 °CWB. – Heating: Indoor temperature of 20 °CDB/15 °CWB, and outdoor temperature of 7 °CDB/6 °CWB. – Pipe length: 5 m, Height difference: 0 m. • Protective function might work when using it outside the operation range. • *1: Sound pressure level <ul style="list-style-type: none"> – Measured values in manufacturer's anechoic chamber. – Because of the surrounding sound environment, the sound levels measured in actual installation conditions might be higher than the specified values here. 					

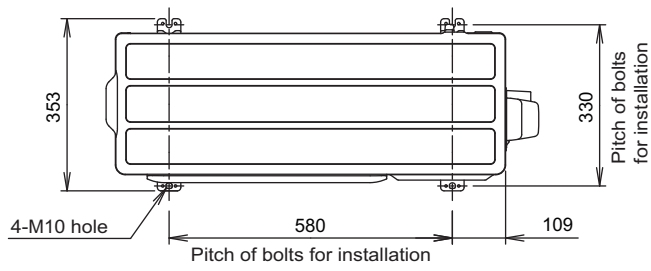
2. Dimensions

2-1. Model: AOYG09KMCDN

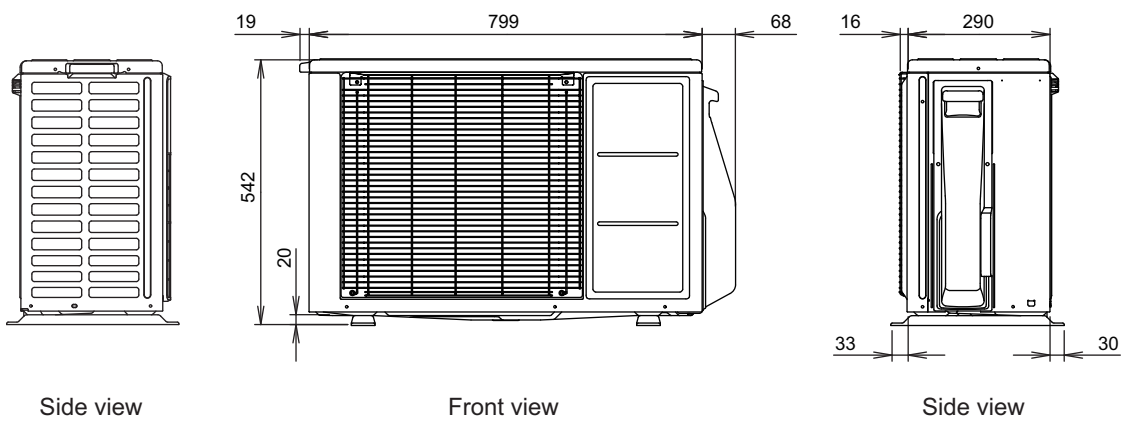
Unit: mm

OUTDOOR UNIT
AOYG09-14KMCDN

OUTDOOR UNIT
AOYG09-14KMCDN



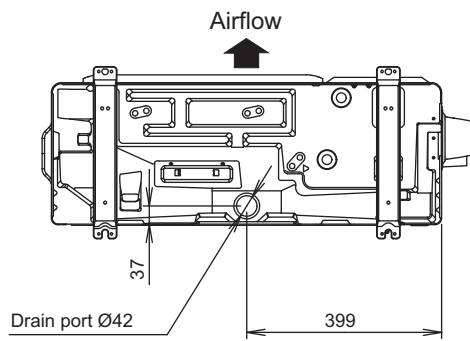
Top view



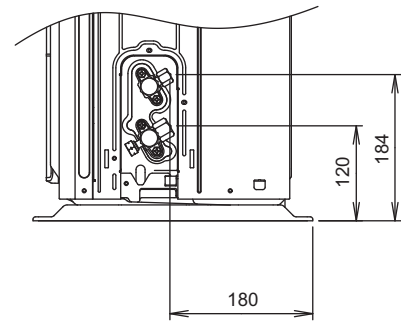
Side view

Front view

Side view



Bottom view



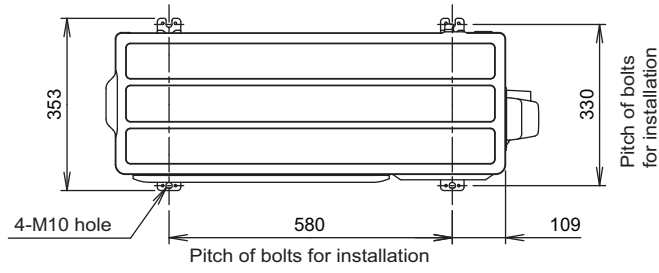
Side view (Valve part)

2-2. Model: AOYG12KMCDN

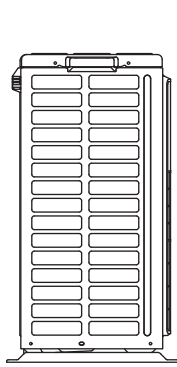
Unit: mm

OUTDOOR UNIT
AOYG09-14KMCDN

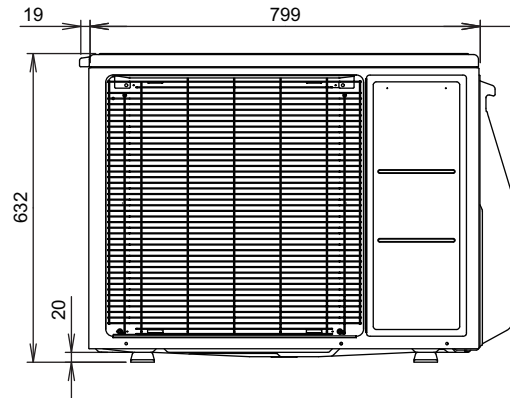
OUTDOOR UNIT
AOYG09-14KMCDN



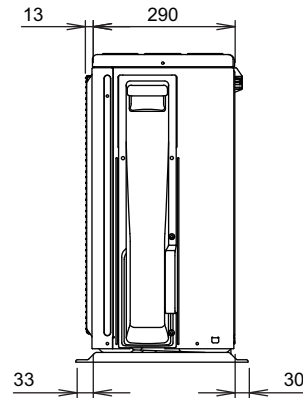
Top view



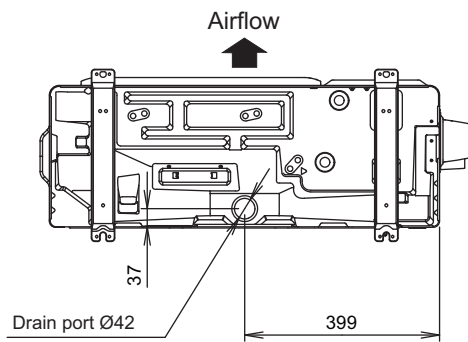
Side view



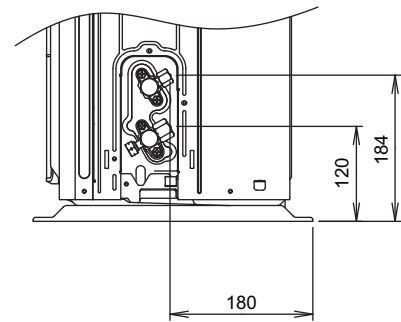
Front view



Side view



Bottom view



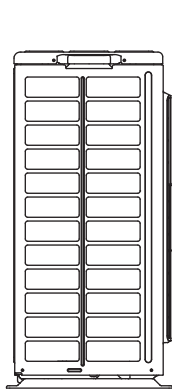
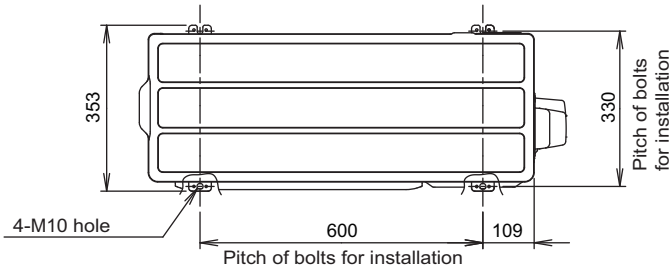
Side view (Valve part)

2-3. Model: AOYG14KMCDN

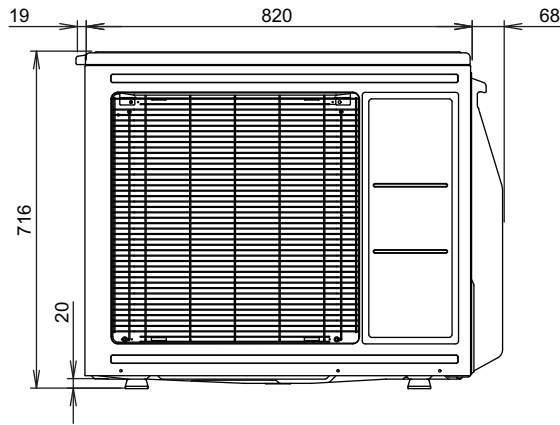
Unit: mm

OUTDOOR UNIT
AOYG09-14KMCDN

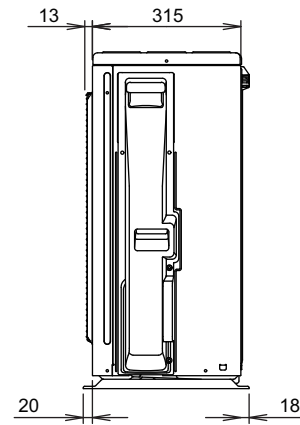
OUTDOOR UNIT
AOYG09-14KMCDN



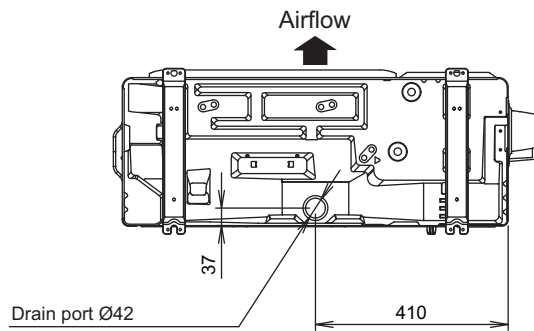
Side view



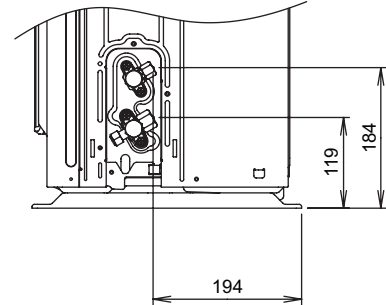
Front view



Side view



Bottom view



Side view (Valve part)

3. Installation space

3-1. Models: AOYG09KMCDN, AOYG12KMCDN, and AOYG14KMCDN

■ Space requirement

Provide sufficient installation space for product safety.

⚠ CAUTION

Keep the space shown in the installation examples.

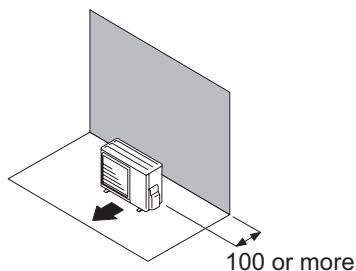
If the installation is not performed accordingly, it could cause a short circuit and result in a lack of operating performance.

● Single outdoor unit installation

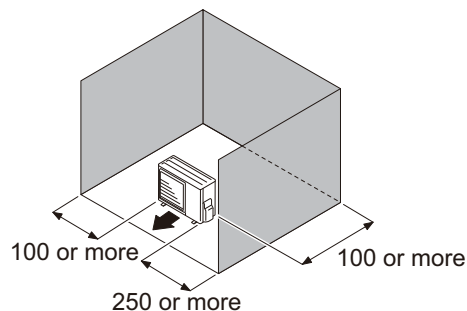
- When the upper space is open:

Unit: mm

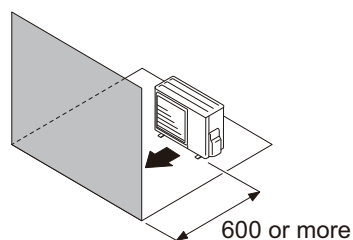
Obstacles at rear only



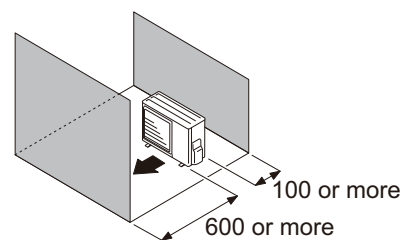
Obstacles at rear and sides



Obstacles at front



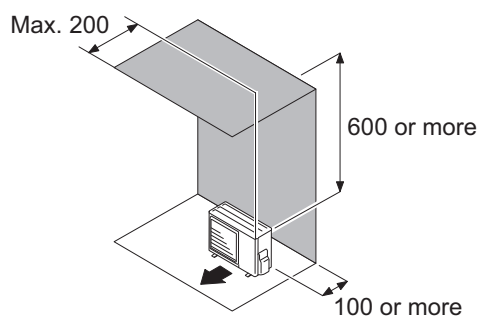
Obstacles at front and rear



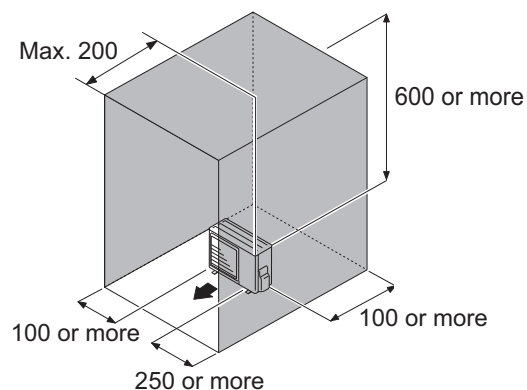
- When an obstruction in the upper space:

Unit: mm

Obstacles at rear and above



Obstacles at rear, sides, and above

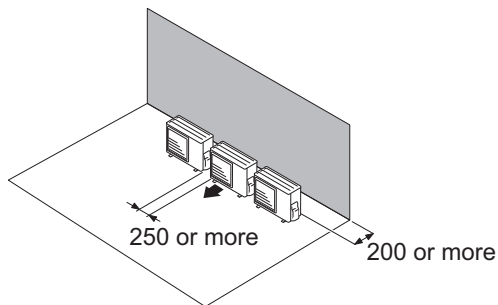


● Multiple outdoor unit installation

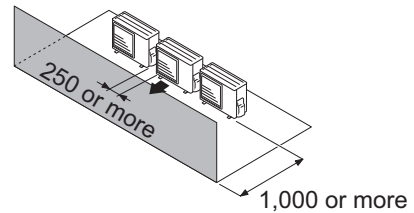
- Provide at least 250 mm of space between the outdoor units if multiple units are installed.
- When routing the piping from the side of an outdoor unit, provide space for piping.
- No more than 3 units must be installed side by side.
When 4 units or more are arranged in a line, provide the space as shown in the following example **“When an obstruction in the upper space:”**.
- **When the upper space is open:**

Unit: mm

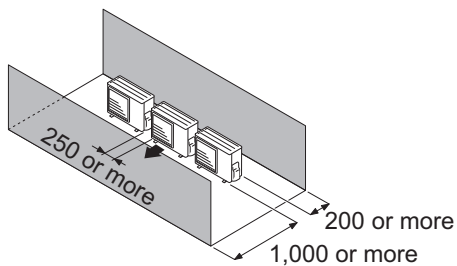
Obstacles at rear only



Obstacles at front only



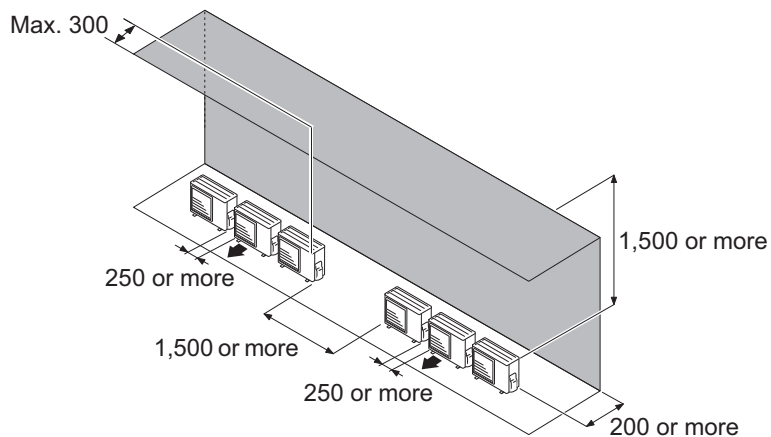
Obstacles at front and rear



- **When an obstruction in the upper space:**

Unit: mm

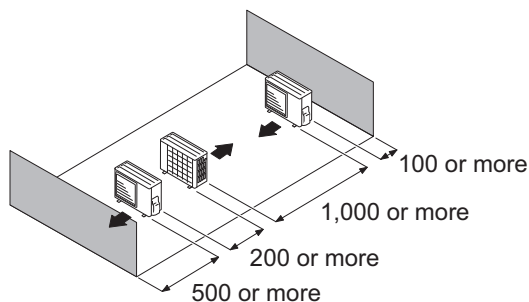
Obstacles at rear and above.



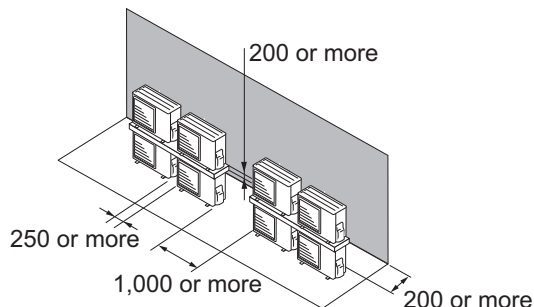
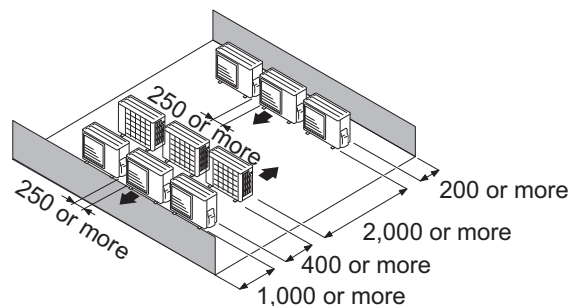
● Outdoor units installation in multi-row

Unit: mm

Single parallel unit arrangement



Multiple parallel unit arrangement

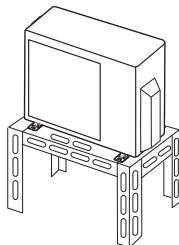


NOTES:

- If the space is larger than stated above, the condition will be the same as when there is no obstacle.
- When installing the outdoor unit, be sure to open the front and left side to obtain better operation efficiency.

⚠ CAUTION

- Do not install the outdoor unit in two-stage where the drain water could freeze. Otherwise the drainage from the upper unit may form ice and cause a malfunction of the lower unit.
- When the outdoor temperature is 0 °C or less, do not use the accessory drain pipe and drain cap. If the drain pipe and drain cap are used, the drain water in the pipe may freeze in extremely cold climate. (For reverse cycle model only.)
- In area with heavy snowfall, if the inlet and outlet of the outdoor unit is blocked with snow, it might become difficult to get warm, and it is likely to cause product malfunction. Construct a canopy and a pedestal, or place the unit on a high stand that is locally installed.

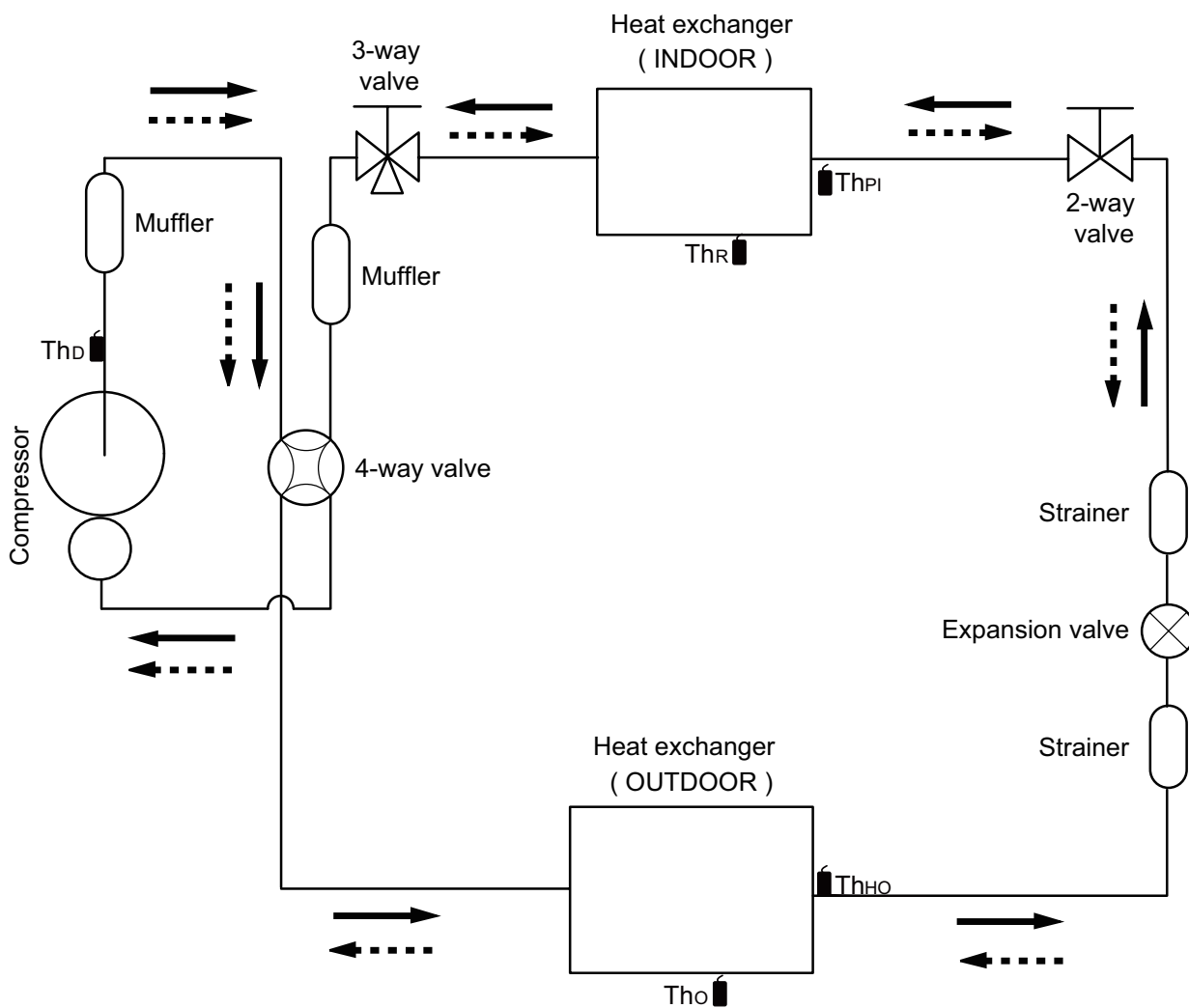


4. Refrigerant circuit

4-1. Models: AOYG09KMCDN and AOYG12KMCDN

OUTDOOR UNIT
AOYG09-14KMCDN

OUTDOOR UNIT
AOYG09-14KMCDN



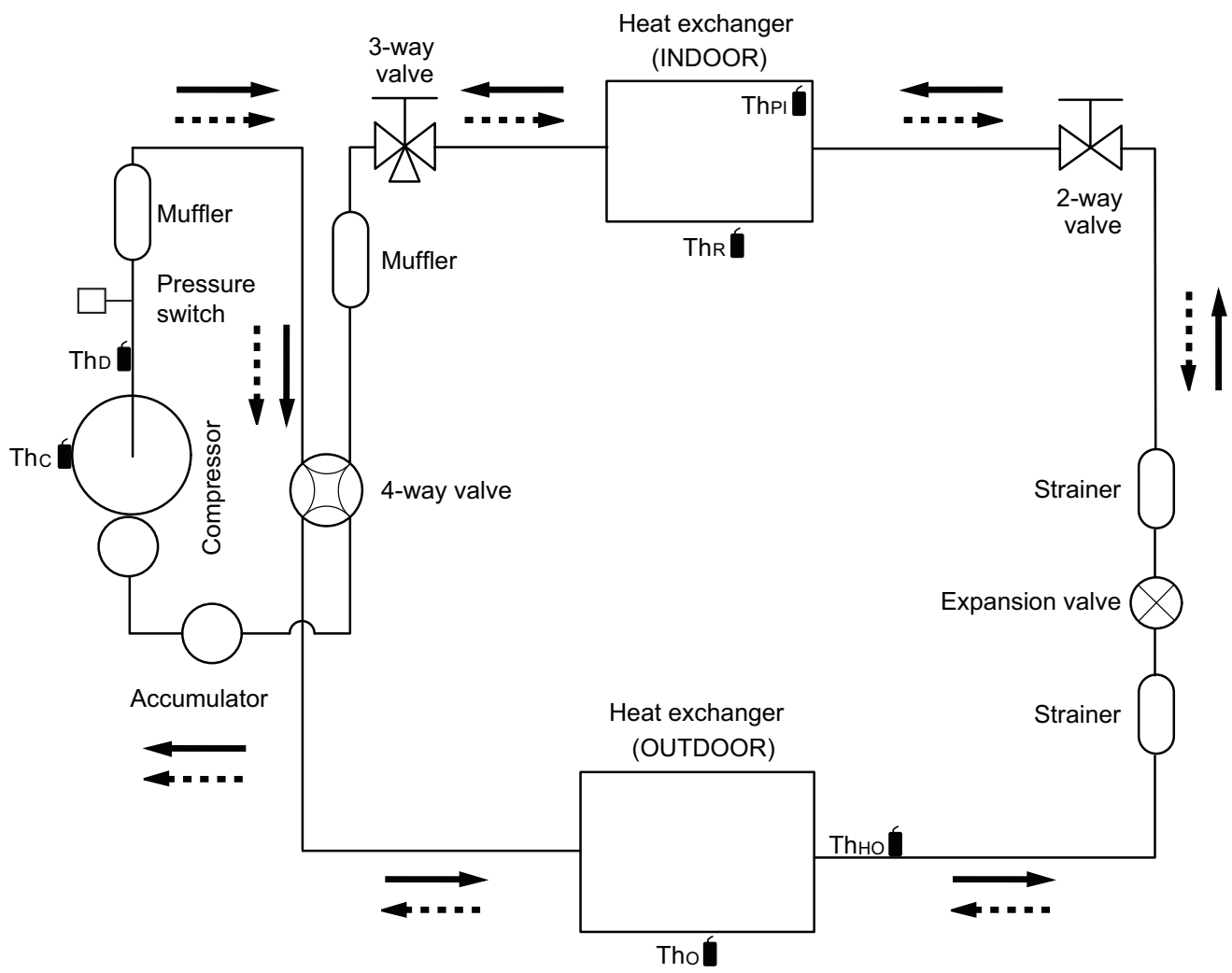
Cooling
 Heating

- Th_D : Thermistor (Discharge temp.)
- Th_O : Thermistor (Outdoor temp.)
- Th_{HO} : Thermistor (Heat exchanger out temp.)
- Th_R : Thermistor (Room temp.)
- Th_{PI} : Thermistor (Pipe temp.)

4-2. Model: AOYG14KMCDN

OUTDOOR UNIT
AOYG09-14KMCDN

OUTDOOR UNIT
AOYG09-14KMCDN



Cooling
 Heating

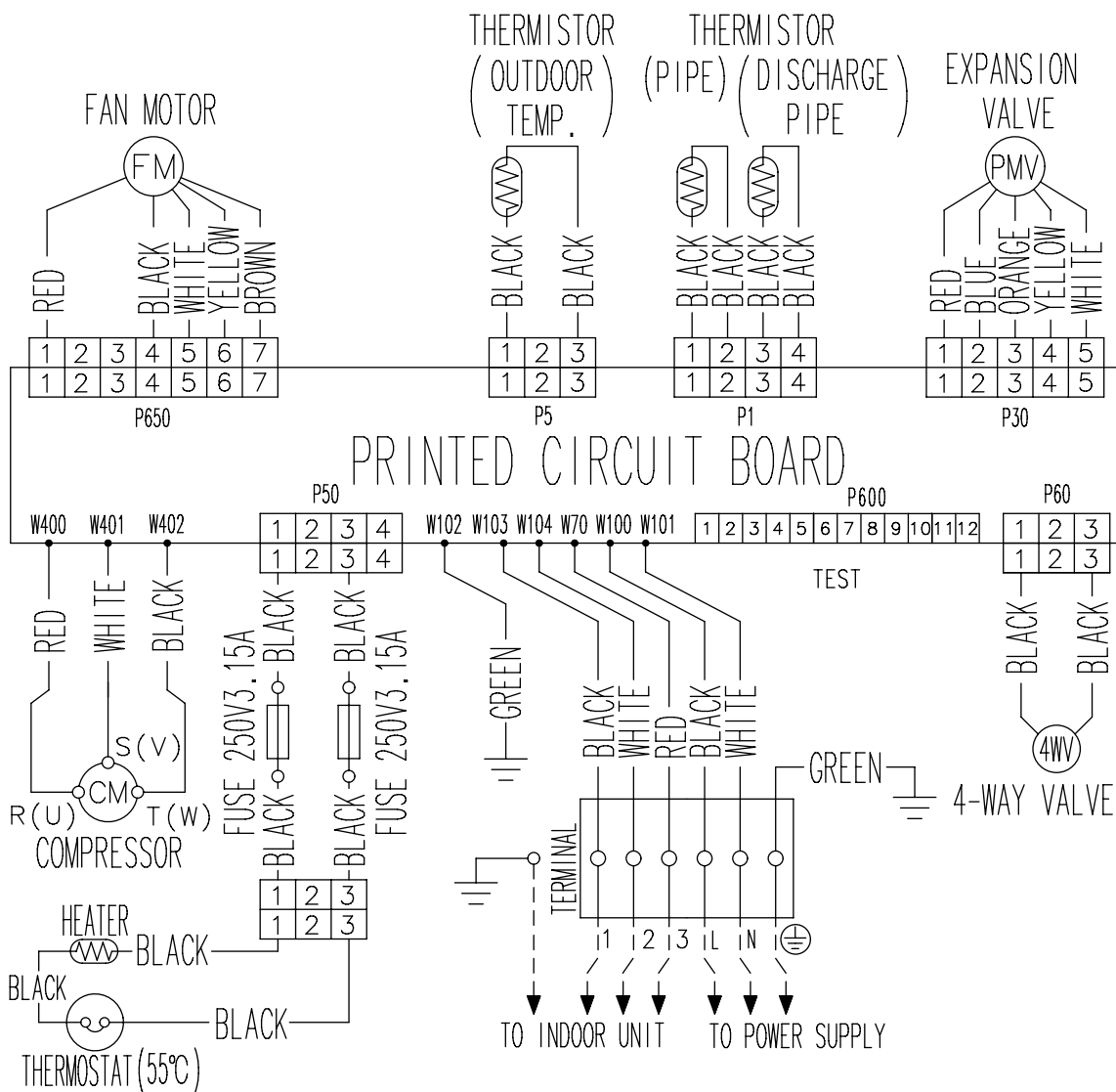
- Thc : Thermistor (Compressor temperature)
- Thd : Thermistor (Discharge temperature)
- Tho : Thermistor (Outdoor temperature)
- ThHo : Thermistor (Heat exchanger out temperature)
- ThR : Thermistor (Room temperature)
- ThPI : Thermistor (Pipe temperature)

5. Wiring diagrams

5-1. Models: AOYG09KMCDN and AOYG12KMCDN

OUTDOOR UNIT
AOYG09-14KMCDN

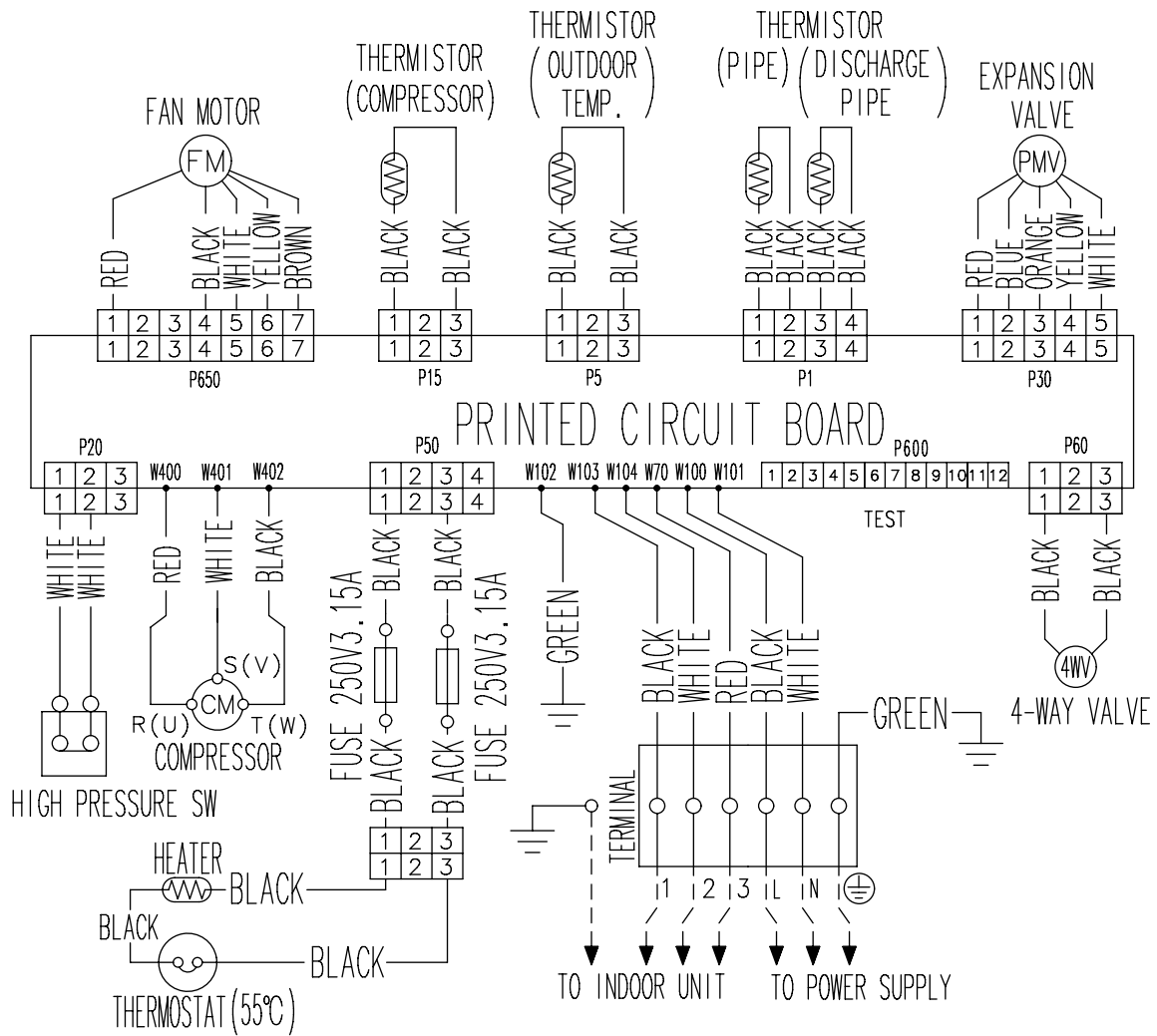
OUTDOOR UNIT
AOYG09-14KMCDN



5-2. Model: AOYG14KMCDN

OUTDOOR UNIT
AOYG09-14KMCDN

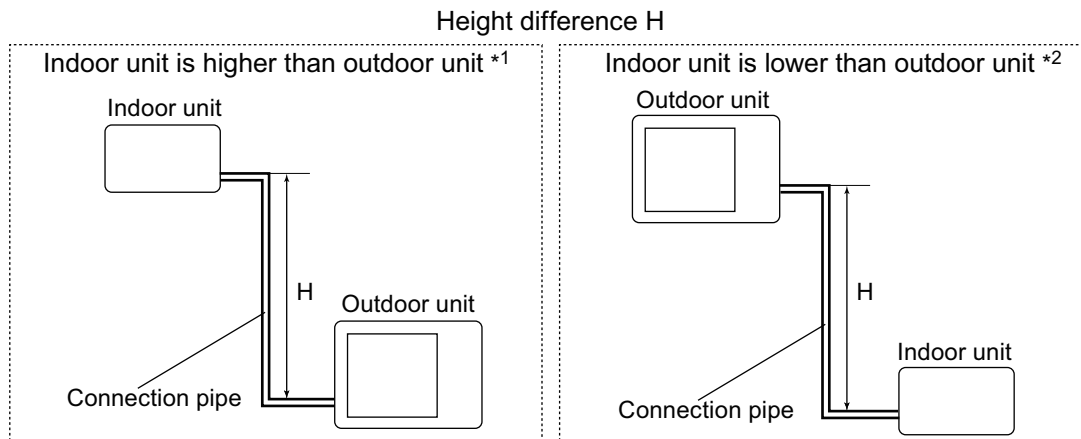
OUTDOOR UNIT
AOYG09-14KMCDN



6. Capacity compensation rate for pipe length and height difference

OUTDOOR UNIT
AOYG09-14KMCDN

OUTDOOR UNIT
AOYG09-14KMCDN



6-1. Model: AOYG09KMCDN

NOTE: Values mentioned in the table are calculated based on the maximum capacity.

COOLING			Pipe length (m)				
			5	7.5	10	15	20
Height difference H (m)	Indoor unit is higher than outdoor unit *1	15	—	—	—	0.904	0.879
		10	—	—	0.951	0.919	0.879
		7.5	—	0.972	0.955	0.923	0.893
		5	0.992	0.975	0.959	0.925	0.897
	Indoor unit is lower than outdoor unit *2	0	1.000	0.983	0.967	0.933	0.901
		-5	1.000	0.983	0.967	0.933	0.908
		-7.5	—	0.983	0.967	0.933	0.908
		-10	—	—	0.967	0.933	0.908
		-15	—	—	—	0.933	0.908

HEATING			Pipe length (m)				
			5	7.5	10	15	20
Height difference H (m)	Indoor unit is higher than outdoor unit *1	15	—	—	—	0.869	0.863
		10	—	—	—	0.869	0.863
		7.5	—	0.967	0.934	0.869	0.863
		5	1.000	0.967	0.934	0.869	0.863
	Indoor unit is lower than outdoor unit *2	0	1.000	0.967	0.934	0.869	0.863
		-5	0.995	0.962	0.930	0.864	0.859
		-7.5	—	0.960	0.928	0.862	0.856
		-10	—	—	0.926	0.860	0.854
		-15	—	—	—	0.852	0.846

6-2. Model: AOYG12KMCDN

NOTE: Values mentioned in the table are calculated based on the maximum capacity.

COOLING			Pipe length (m)				
			5	7.5	10	15	20
Height difference H (m)	Indoor unit is higher than outdoor unit *1	15	—	—	—	0.939	0.925
		10	—	—	0.966	0.947	0.932
		7.5	—	0.979	0.970	0.951	0.936
		5	0.992	0.983	0.974	0.955	0.939
	Indoor unit is lower than outdoor unit *2	0	1.000	0.991	0.981	0.963	0.946
		-5	1.000	0.991	0.981	0.963	0.946
		-7.5	-	0.991	0.981	0.963	0.946
		-10	-	-	0.981	0.963	0.946
		-15	-	-	-	0.963	0.946

HEATING			Pipe length (m)				
			5	7.5	10	15	20
Height difference H (m)	Indoor unit is higher than outdoor unit *1	15	—	—	—	0.903	0.887
		10	—	—	0.952	0.903	0.887
		7.5	—	0.976	0.952	0.903	0.887
		5	1.000	0.976	0.952	0.903	0.887
	Indoor unit is lower than outdoor unit *2	0	1.000	0.976	0.952	0.903	0.887
		-5	0.995	0.971	0.947	0.899	0.883
		-7.5	—	0.969	0.945	0.897	0.881
		-10	—	—	0.942	0.894	0.879
		-15	—	—	—	0.890	0.875

6-3. Model: AOYG14KMCDN

NOTE: Values mentioned in the table are calculated based on the maximum capacity.

COOLING			Pipe length (m)				
			5	7.5	10	15	20
Height difference H (m)	Indoor unit is higher than outdoor unit *1	15	—	—	—	0.939	0.925
		10	—	—	0.966	0.947	0.932
		7.5	—	0.979	0.970	0.951	0.936
		5	0.992	0.983	0.974	0.955	0.939
	Indoor unit is lower than outdoor unit *2	0	1.000	0.991	0.981	0.963	0.946
		-5	1.000	0.991	0.981	0.963	0.946
		-7.5	—	0.991	0.981	0.963	0.946
		-10	—	—	0.981	0.963	0.946
		-15	—	—	—	0.963	0.946

HEATING			Pipe length (m)				
			5	7.5	10	15	20
Height difference H (m)	Indoor unit is higher than outdoor unit *1	15	—	—	—	0.903	0.887
		10	—	—	0.952	0.903	0.887
		7.5	—	0.976	0.952	0.903	0.887
		5	1.000	0.976	0.952	0.903	0.887
	Indoor unit is lower than outdoor unit *2	0	1.000	0.976	0.952	0.903	0.887
		-5	0.995	0.971	0.947	0.899	0.883
		-7.5	—	0.969	0.945	0.897	0.881
		-10	—	—	0.942	0.894	0.879
		-15	—	—	—	0.890	0.875

7. Additional charge calculation

7-1. Model: AOYG09KMCDN

Refrigerant type		R32
Refrigerant amount	g	850

Refrigerant charge				
Total pipe length	m	15 or less	20 (Max.)	20 g/m
Additional charge	g	0	100	

7-2. Model: AOYG12KMCDN

Refrigerant type		R32
Refrigerant amount	g	940

Refrigerant charge				
Total pipe length	m	15 or less	20 (Max.)	20 g/m
Additional charge	g	0	100	

7-3. Model: AOYG14KMCDN

Refrigerant type		R32
Refrigerant amount	g	1,120

Refrigerant charge				
Total pipe length	m	15 or less	20 (Max.)	20 g/m
Additional charge	g	0	100	

8. Airflow

8-1. Model: AOYG09KMCDN

● Cooling

m ³ /h	1,770
l/s	492
CFM	1,042

● Heating

m ³ /h	1,313
l/s	365
CFM	773

8-2. Model: AOYG12KMCDN

● Cooling

m ³ /h	2,210
l/s	614
CFM	1,301

● Heating

m ³ /h	1,335
l/s	371
CFM	786

8-3. Model: AOYG14KMCDN

● Cooling

m ³ /h	2,450
l/s	681
CFM	1,442

● Heating

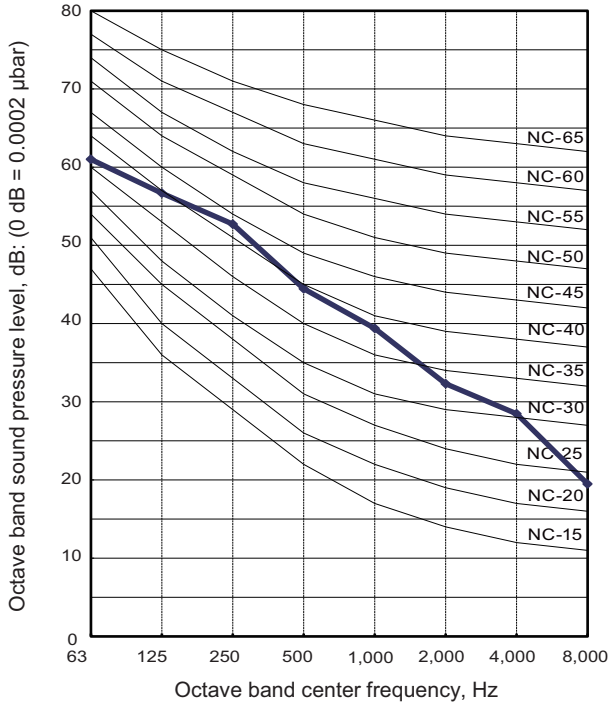
m ³ /h	2,330
l/s	647
CFM	1,371

9. Operation noise (sound pressure)

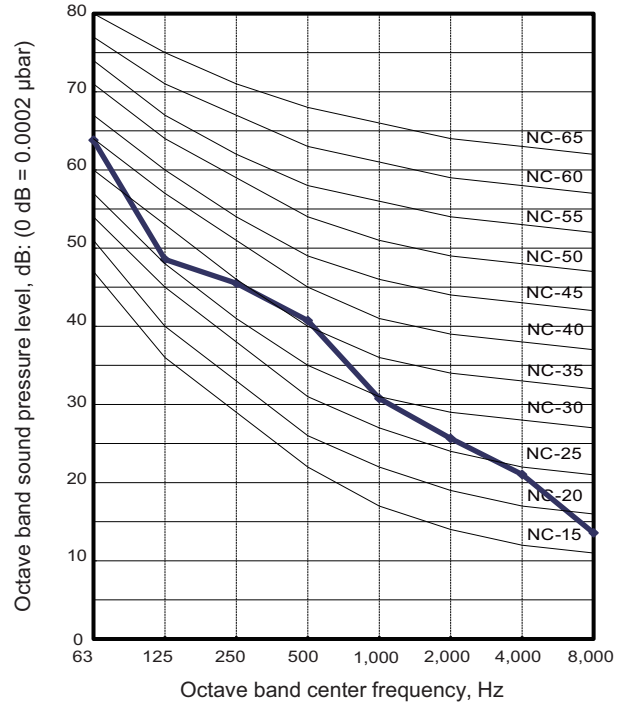
9-1. Noise level curve

Model: AOYG09KMCDN

Cooling

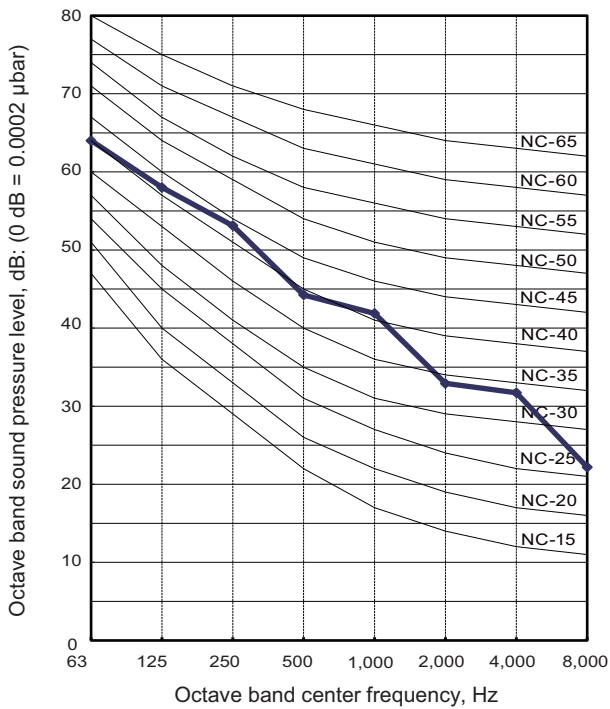


Heating

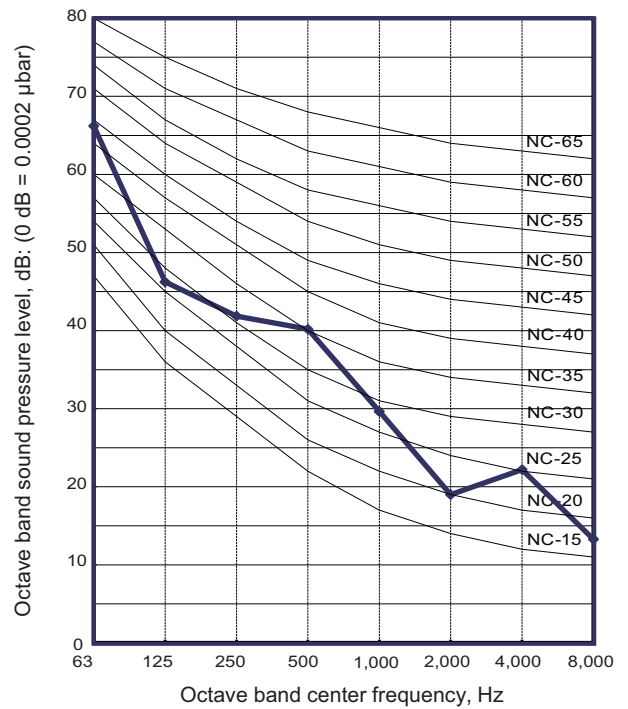


Model: AOYG12KMCDN

Cooling



Heating

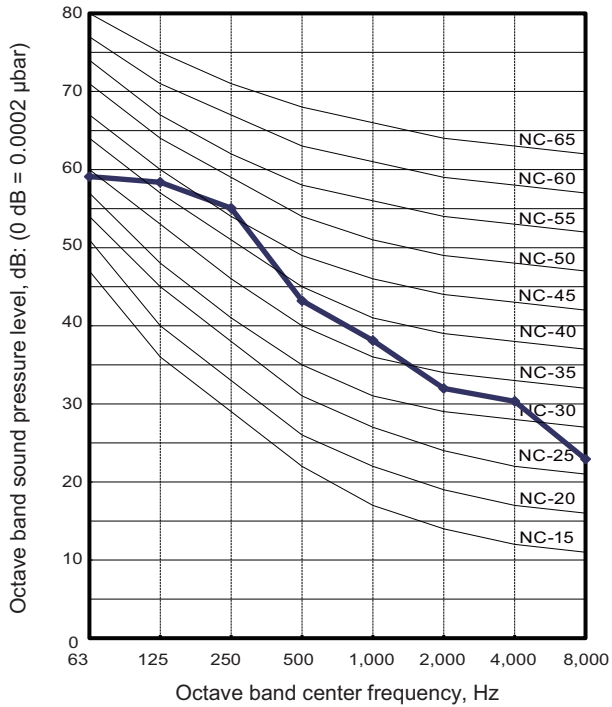


OUTDOOR UNIT
AOYG09-14KMCDN

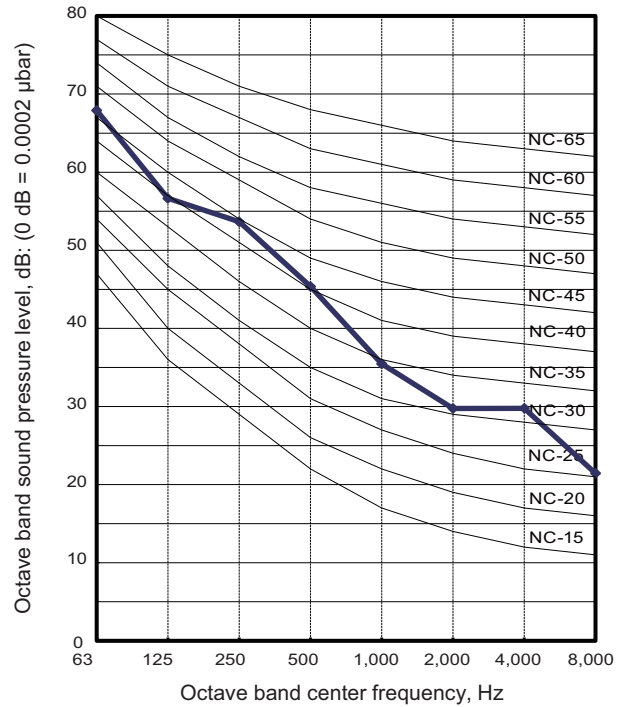
OUTDOOR UNIT
AOYG09-14KMCDN

Model: AOYG14KMCDN

● Cooling



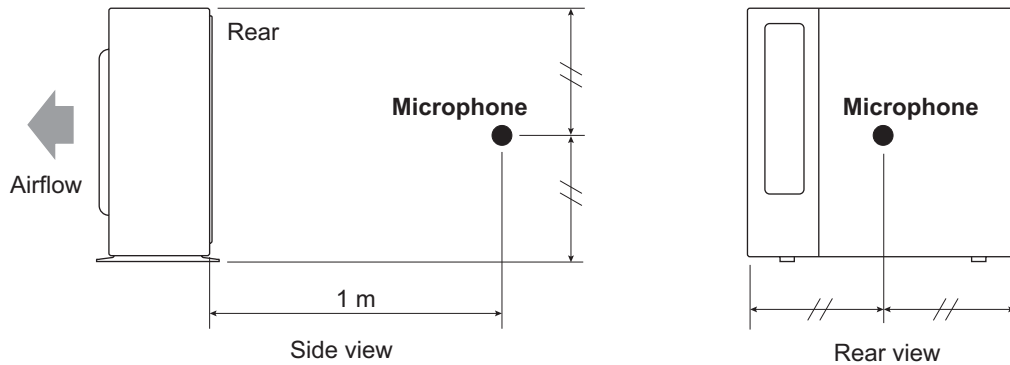
● Heating



OUTDOOR UNIT
AOYG09-14KMCDN

OUTDOOR UNIT
AOYG09-14KMCDN

9-2. Sound level check point



NOTE: Detailed shape of the actual outdoor unit might be slightly different from the one illustrated above.

10. Electrical characteristics

Model name			AOYG09KMCDN	AOYG12KMCDN	AOYG14KMCDN	
Power supply	Voltage	V	230 ~			
	Frequency	Hz	50			
Max operating current *1		A	9.5	11.5	16.0	
Starting current		A	3.3	4.3	6.2	
Wiring spec. *2	Circuit breaker current		A	15	20	
	Power cable		mm ²	1.5	2.5	
	Connection cable *3	Cross-sectional area	mm ²	1.5		
		Limited wiring length	m	21		

*1: Maximum operating current is the total current of the indoor unit and the outdoor unit.

*2: Selected sample based on Japan Electrotechnical Standards and Codes Committee E0005. As the regulations of wire size and circuit breaker differ in each country or region, select appropriate devices complied to the regional standard.


*3: Limit voltage drop to less than 2%. If voltage drop is 2% or more, increase cable conductor size.

11. Safety devices

Type of protection	Protection form		Model		
			AOYG09KMCDN	AOYG12KMCDN	AOYG14KMCDN
Circuit protection	Current fuse (Main PCB)		250 V, 25 A		
			250 V, 5 A		
Fan motor protection	Thermal protection	Activate	103±18 °C Fan motor stop	125±10 °C Fan motor stop	
		Reset	95±18 °C Fan motor restart	120±10 °C Fan motor restart	
Compressor protection	Terminal protection program (Discharge temp.)	Activate	110 °C Compressor stop		
		Reset	After 7 minutes Compressor restart		
	Thermal protection program (Outdoor temp.) (Only in COOL or DRY mode)	Activate	-15 °C Compressor stop		
		Reset	-10 °C Compressor restart		

12. Accessories

12-1. Models: AOYG09KMCDN, AOYG12KMCDN, and AOYG14KMCDN

Part name	Exterior	Q'ty	Part name	Exterior	Q'ty
Installation manual		1			