

SERVICE MANUAL



Indoor unit	Outdoor unit
ARXG12KHTAP	AOYG12KBTB
ARXG14KHTAP	AOYG14KBTB
ARXG18KHTAP	AOYG18KBTB
ARXG22KHTAP	AOYG22KBTB

CONTENTS

SPECIFICATIONS.....	1
DIMENSIONS.....	4
REFRIGERANT SYSTEM DIAGRAM.....	8
INDOOR PCB CIRCUIT DIAGRAM.....	11
OUTDOOR PCB CIRCUIT DIAGRAM.....	12
ERROR DETECTION.....	14
PARTS (INDOOR UNIT).....	15
PARTS (OUTDOOR UNIT).....	24
ACCESSORIES.....	42

Specifications (Indoor unit)

Type				Duct				
				Inverter heat pump				
Model name				ARXG12KHTAP	ARXG14KHTAP	ARXG18KHTAP	ARXG22KHTAP	
Power supply				230 V ~ 50 Hz				
Power supply intake				Outdoor unit				
Available voltage range				198—264 V				
Capacity	Cooling	Rated	kW	3.5	4.3	5.2	6.0	
			Btu/h	11,950	14,650	17,700	20,500	
		Min.—Max.	kW	0.9 — 4.4	0.9 — 5.4	0.9 — 5.9	0.9 — 6.7	
			Btu/h	3,100 — 15,000	3,100 — 18,400	3,100 — 20,100	3,100 — 22,900	
	Heating	Rated	kW	4.1	5.0	6.0	7.0	
			Btu/h	14,000	17,050	20,500	23,900	
Min.—Max.		kW	0.9 — 5.7	0.9 — 6.5	0.9 — 7.5	0.9 — 8.0		
		Btu/h	3,100 — 19,400	3,100 - 22,100	3,100 — 25,600	3,100 — 27,300		
Input power	Cooling	Rated	kW	0.87	1.17	1.36	1.71	
				Max.	2.24	2.35	2.79	2.80
	Heating	Rated		1.00	1.25	1.56	1.81	
				Max.	2.24	2.35	2.79	2.80
Current	Cooling	Rated	A	3.9	5.1	6.0	7.5	
	Heating			4.4	5.5	6.8	7.9	
Power factor	Cooling			97.0	99.7	98.6	99.1	
	Heating			98.8	98.8	99.7	99.6	
EER	Cooling			4.02	3.68	3.82	3.51	
COP	Heating			4.10	4.00	3.85	3.87	
Moisture removal			L/h (pints/h)	0.7 (1.2)	0.9 (1.6)	1.2 (2.1)	1.5 (2.6)	
Maximum operating current *1			Cooling			10.2	12.6	
			Heating			9.7	10.2	12.1
Fan	Airflow rate	Cooling	m ³ /h	HIGH	850	950	1,050	1,050
				MED	680	760	840	840
				LOW	590	670	740	740
				QUIET	510	570	630	630
		Heating		HIGH	850	950	1,050	1,050
				MED	680	760	840	840
				LOW	590	670	740	740
				QUIET	510	570	630	630
	Type × Q'ty				Sirocco fan × 1		Sirocco fan × 2	
	Motor output		W		154		197	
Recommended static pressure range			Pa	30 to 200				
Sound pressure level *2	Cooling	dB (A)	HIGH	32	33	28	28	
			MED	27	28	25	25	
			LOW	26	27	22	22	
			QUIET	24	25	20	20	
	Heating		HIGH	32	33	28	28	
			MED	27	28	25	25	
			LOW	26	27	22	22	
			QUIET	24	25	20	20	
Heat exchanger type	Dimensions (H × W × D)		mm	420 × 458 × 39.9		420 × 758 × 39.9		
	Fin pitch			1.4				
	Rows × Stages			3 × 20				
	Pipe type			Copper tube				
	Fin type			Aluminum				
Enclosure	Material		Steel sheet					
	Color		—					
Dimensions (H × W × D)	Net		mm	300 × 700 × 700		300 × 1,000 × 700		
	Gross			400 × 938 × 875		400 × 1,238 × 875		
Weight	Net		kg	27		35		
	Gross			34		44		
Connection pipe	Size	Liquid	mm (in)	Ø 6.35 (Ø 1/4)				
		Gas		Ø 9.52 (Ø 3/8)		Ø 12.7 (Ø 1/2)		
Drain port	Method		Flare					
	Material		PVC					
Drain hose	Size		mm	Ø 26 (I.D.), Ø 32 (O.D.)				
	Material			PVC				
Operation range	Cooling			18 to 32				
				%RH 80 or less				
Remote control (Option)	Heating			16 to 30				
				Wired remote controller, Wireless remote controller, Mobile app*3 (FGLair™)				

NOTES:

- Specifications are based on the following conditions:
 - Cooling: Indoor temperature of 27 °CDB/19 °CWB, and outdoor temperature of 35 °CDB/24 °CWB.
 - Heating: Indoor temperature of 20 °CDB/15 °CWB, and outdoor temperature of 7 °CDB/6 °CWB.
 - Standard static pressure; 35 Pa
 - Pipe length: 5 m, Height difference: 0 m. (Between outdoor unit and indoor unit.)
- Protective function might work when using it outside the operation range.
- *1: Maximum operating current is the total current of the indoor unit and the outdoor unit.
- *2: Sound pressure level:
 - Measured values in manufacturer's anechoic chamber.
 - Because of the surrounding sound environment, the sound levels measured in actual installation conditions might be higher than the specified values here.
- *3: Available on Google Play™ store or on App Store®. Optional WLAN adapter is also required. For details, refer to the setting manual.

Specifications (Indoor unit) Continued

Specifications for ErP Lot10							
Model name			ARXG12KHTAP	ARXG14KHTAP	ARXG18KHTAP	ARXG22KHTAP	
Energy efficiency class	Cooling		A ⁺⁺	A ⁺⁺	A ⁺⁺	A ⁺⁺	
	Heating (Average)		A ⁺	A ⁺	A ⁺	A ⁺	
Pdesign	Cooling	kW	3.5 (35°C)	4.3 (35°C)	5.2 (35°C)	6.0 (35°C)	
	Heating (Average)		3.4 (-10°C)	3.8 (-10°C)	4.4 (-10°C)	4.8 (-10°C)	
SEER	Cooling	kWh/kWh	6.30	6.20	6.50	6.50	
SCOP	Heating (Average)		4.10	4.00	4.10	4.20	
Annual energy consumption	QCE		194	243	280	323	
	QHE (Average)		1,159	1,328	1,501	1,597	
Sound power level	Cooling	HIGH	dB (A)	57	59	54	57
	Heating			58	60	54	57

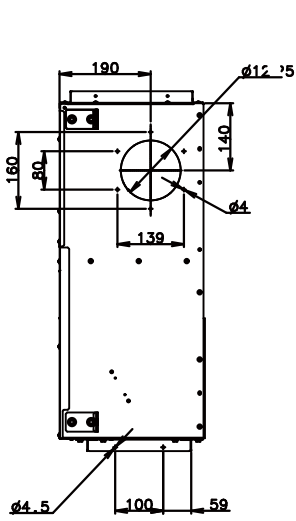
Specifications (Outdoor unit)

Type			Inverter heat pump			
Model name			AOYG12KBTB	AOYG14KBTB	AOYG18KBTB	AOYG22KBTB
Power supply			230 V ~ 50 Hz			
Available voltage range			198—264 V			
Starting current			A			
Fan	Airflow rate	Cooling	4.8	5.8	7.1	8.2
		Heating	1,580	1,670	2,160	2,240
	Type × Q'ty	m ³ /h	1,520	1,580	1,830	1,960
	Motor output		W		Propeller fan × 1	
Sound pressure level *1		Cooling	23		49	
		Heating	47		51	
Sound power level		Cooling	47		51	
		Heating	61		63	
Heat exchanger type		Dimensions (H × W × D)	504 × 881 × 18.19		588 × 881 × 18.19	
		Fin pitch	504 × 851 × 18.19		588 × 851 × 18.19	
		Rows × Stages	1.3		1.3	
		Pipe type	2 × 24		2 × 28	
		Fin type	Copper tube		Copper tube	
		Type (Material)	Aluminum		Aluminum	
		Surface treatment	PC fin		PC fin	
Compressor	Type × Q'ty	W		Twin rotary (constant) × 1		
	Motor output	810		900		1,060
Refrigerant	Type (Global warming potential)	R32 (675)				
	Charge	g		850		1,020
Refrigerant oil	Type	FW68S		RmM68AF		
	Amount	cm ³		350		400
Enclosure	Material	Steel sheet				
	Color	Beige				
		Approximate color of Munsell 10YR 7.5/1.0				
Dimensions (H × W × D)	Net	mm		542 × 799 × 290		632 × 799 × 290
	Gross			602 × 940 × 375		692 × 940 × 375
Weight	Net	kg		33		38
	Gross			37		42
Connection pipe	Size	Liquid	mm (in)		Ø 6.35 (Ø 1/4)	
		Gas			Ø 9.52 (Ø 3/8)	
	Method	Flare				
	Pre-charge length	m		15		20
	Max. length			25		30
	Max. height difference			20		25
Operation range	Cooling	°C		-15 to 46		
	Heating			-15 to 24		
Drain hose	Material	PP				
	Size	mm		Ø 13.0 (I. D.), Ø 16.0 to Ø 16.8 (O. D.)		
NOTES:						
<ul style="list-style-type: none"> Specifications are based on the following conditions: <ul style="list-style-type: none"> Cooling: Indoor temperature of 27 °CDB/19 °CWB, and outdoor temperature of 35 °CDB/24 °CWB. Heating: Indoor temperature of 20 °CDB/15 °CWB, and outdoor temperature of 7 °CDB/6 °CWB. Pipe length: 5 m, Height difference: 0 m. Protective function might work when using it outside the operation range. *1: Sound pressure level <ul style="list-style-type: none"> Measured values in manufacturer's anechoic chamber. Because of the surrounding sound environment, the sound levels measured in actual installation conditions might be higher than the specified values here. 						

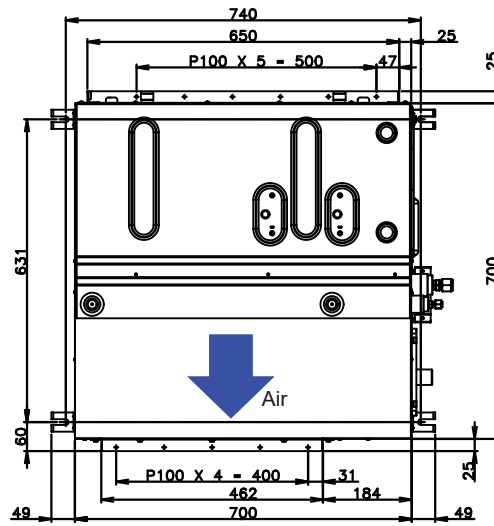
Dimensions (Indoor unit)

Models: ARXG12KHTAP and ARXG14KHTAP

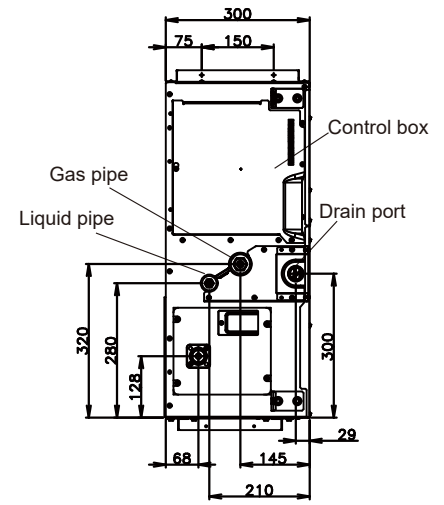
Unit: mm



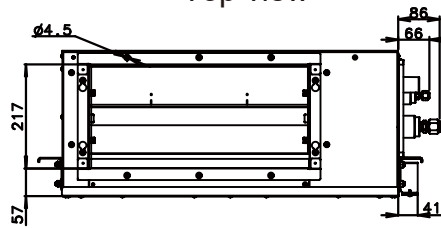
Side view (L)



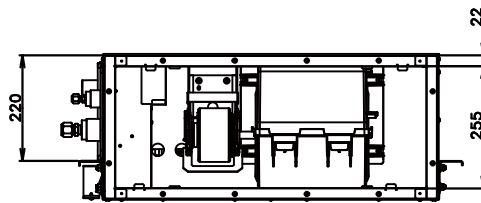
Top view



Side view (R)



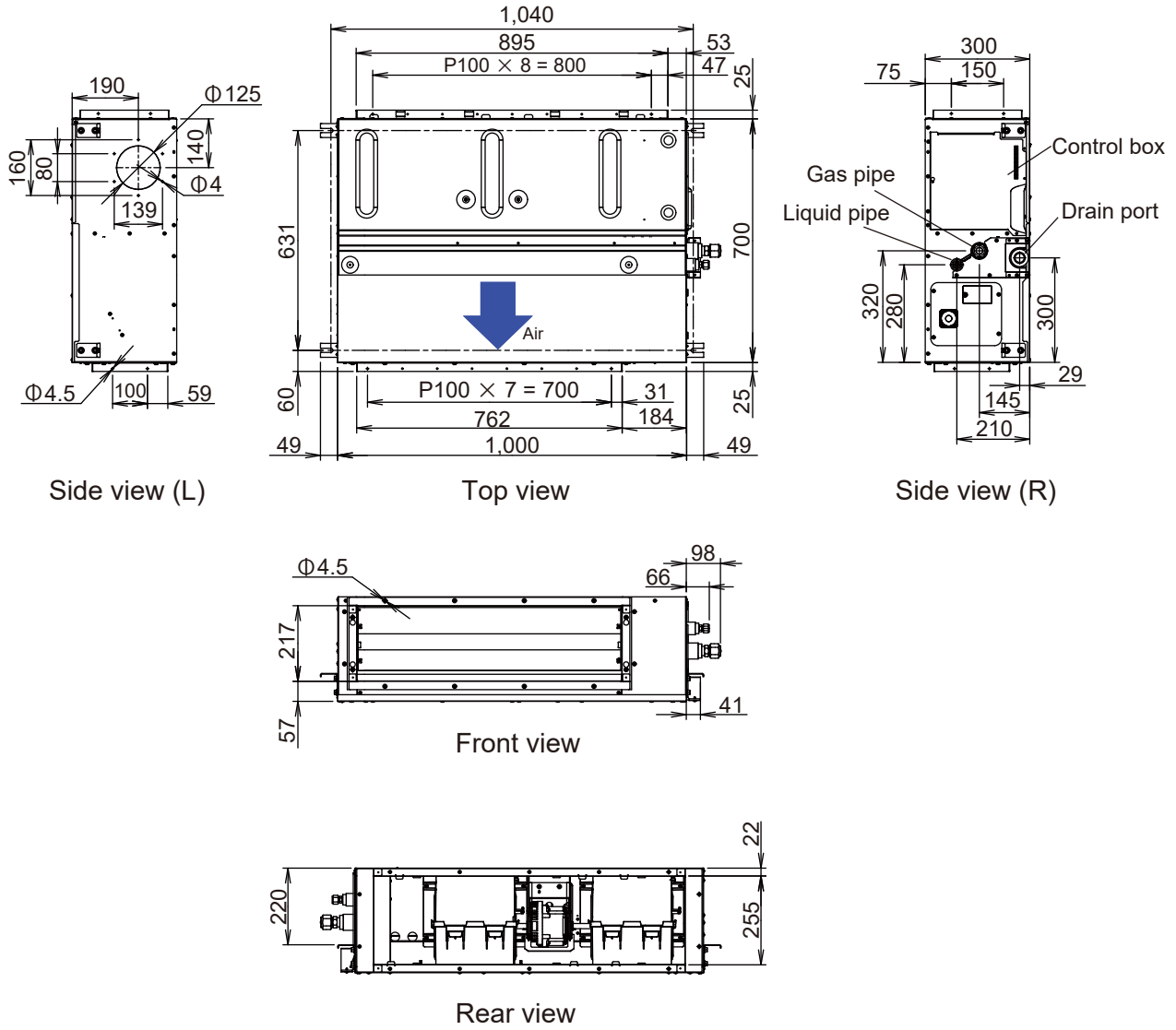
Front view



Rear view

Models: ARXG18KHTAP and ARXG22KHTAP

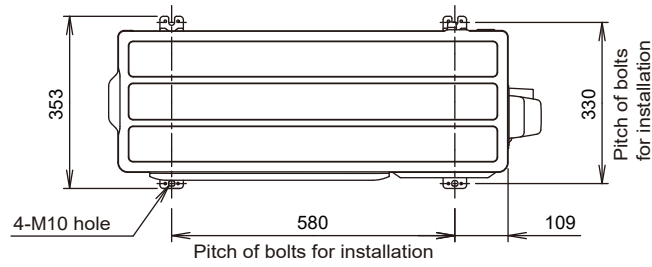
Unit: mm



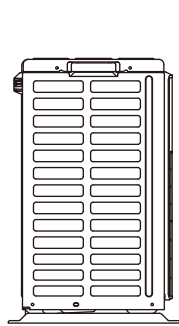
Dimensions (Outdoor unit)

Models: AOYG12KBTB and AOYG14KBTB

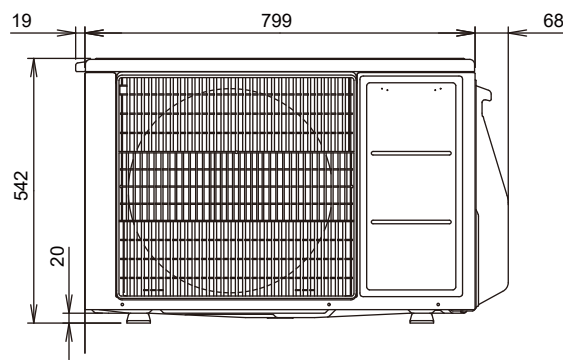
Unit: mm



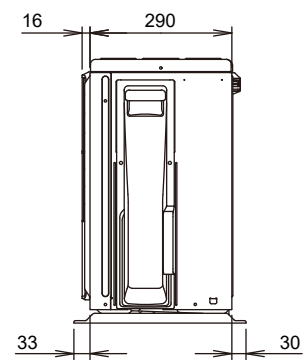
Top view



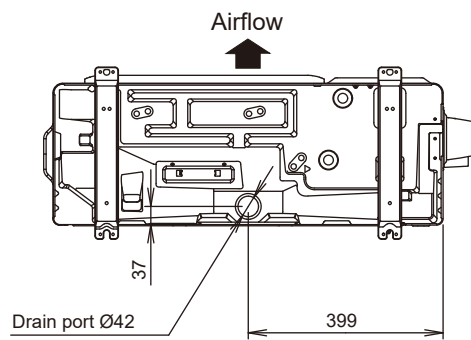
Side view



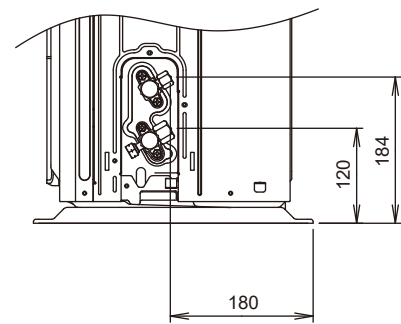
Front view



Side view



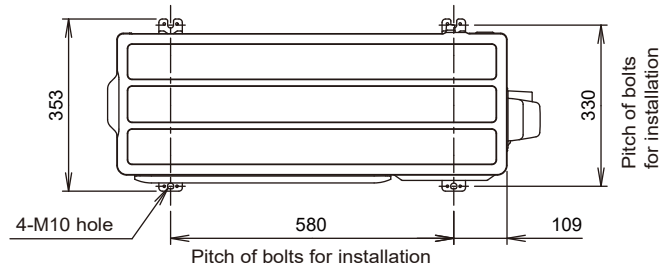
Bottom view



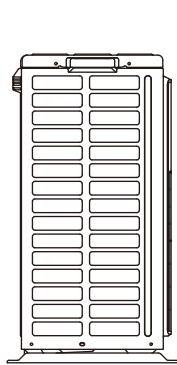
Side view (Valve part)

Models: AOYG18KBTB and AOYG22KBTB

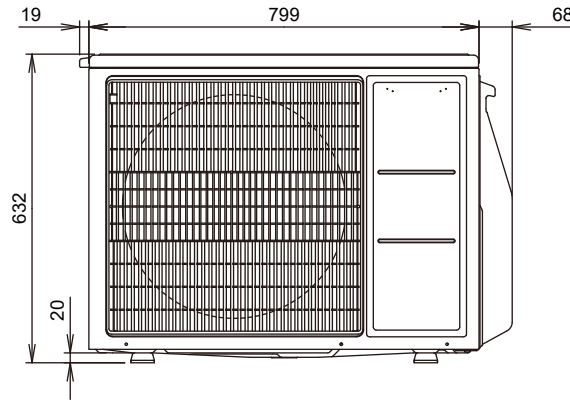
Unit: mm



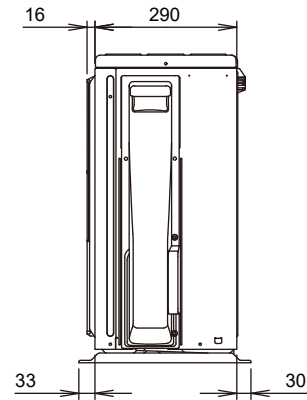
Top view



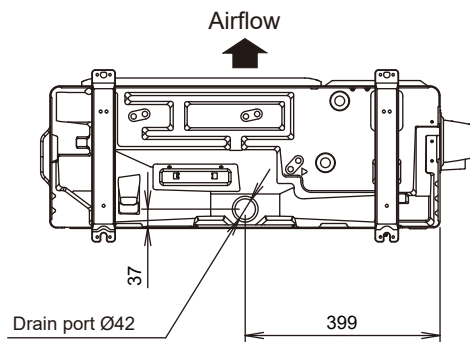
Side view



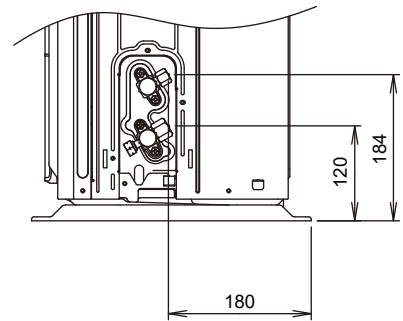
Front view



Side view



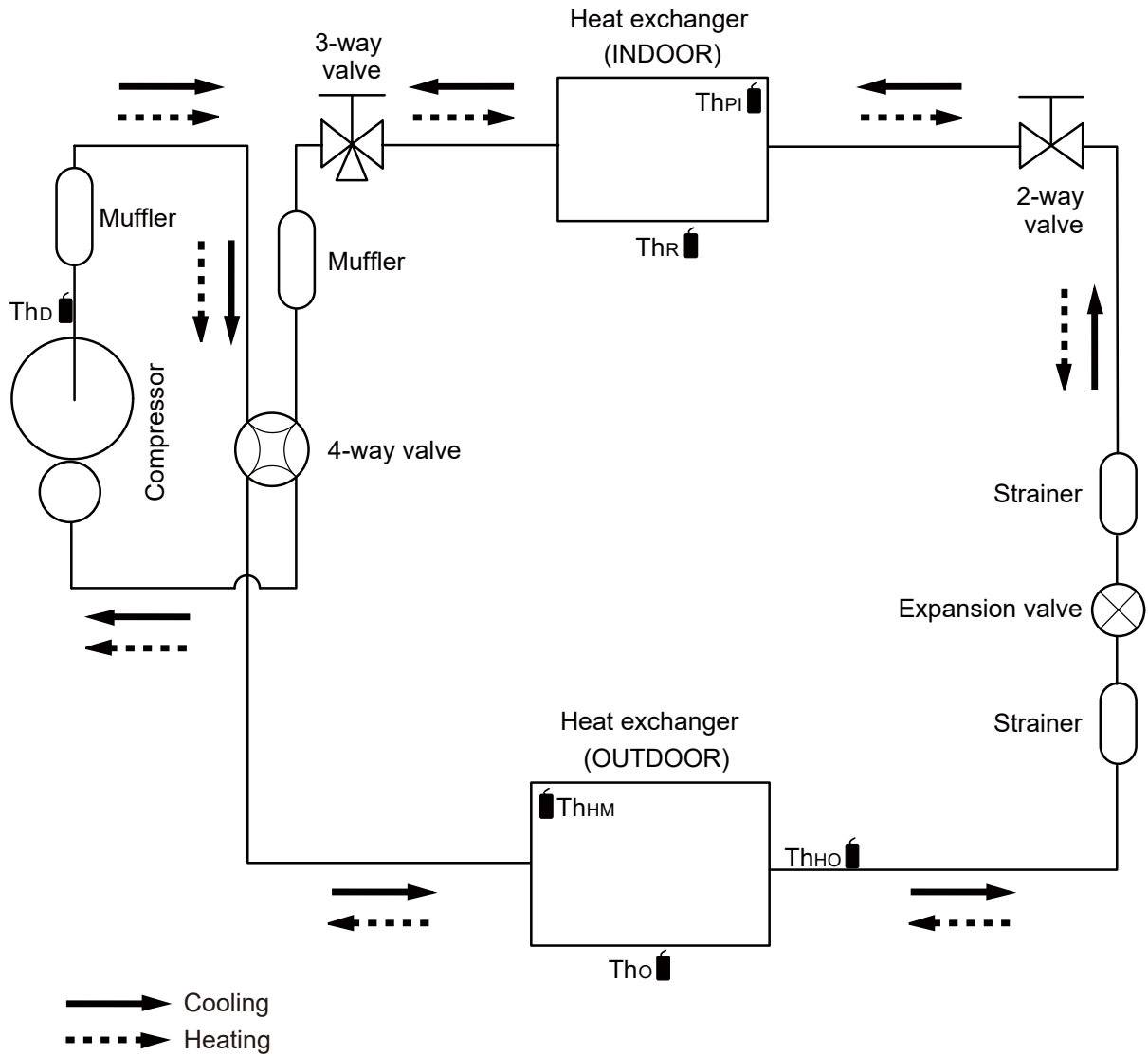
Bottom view



Side view (Valve part)

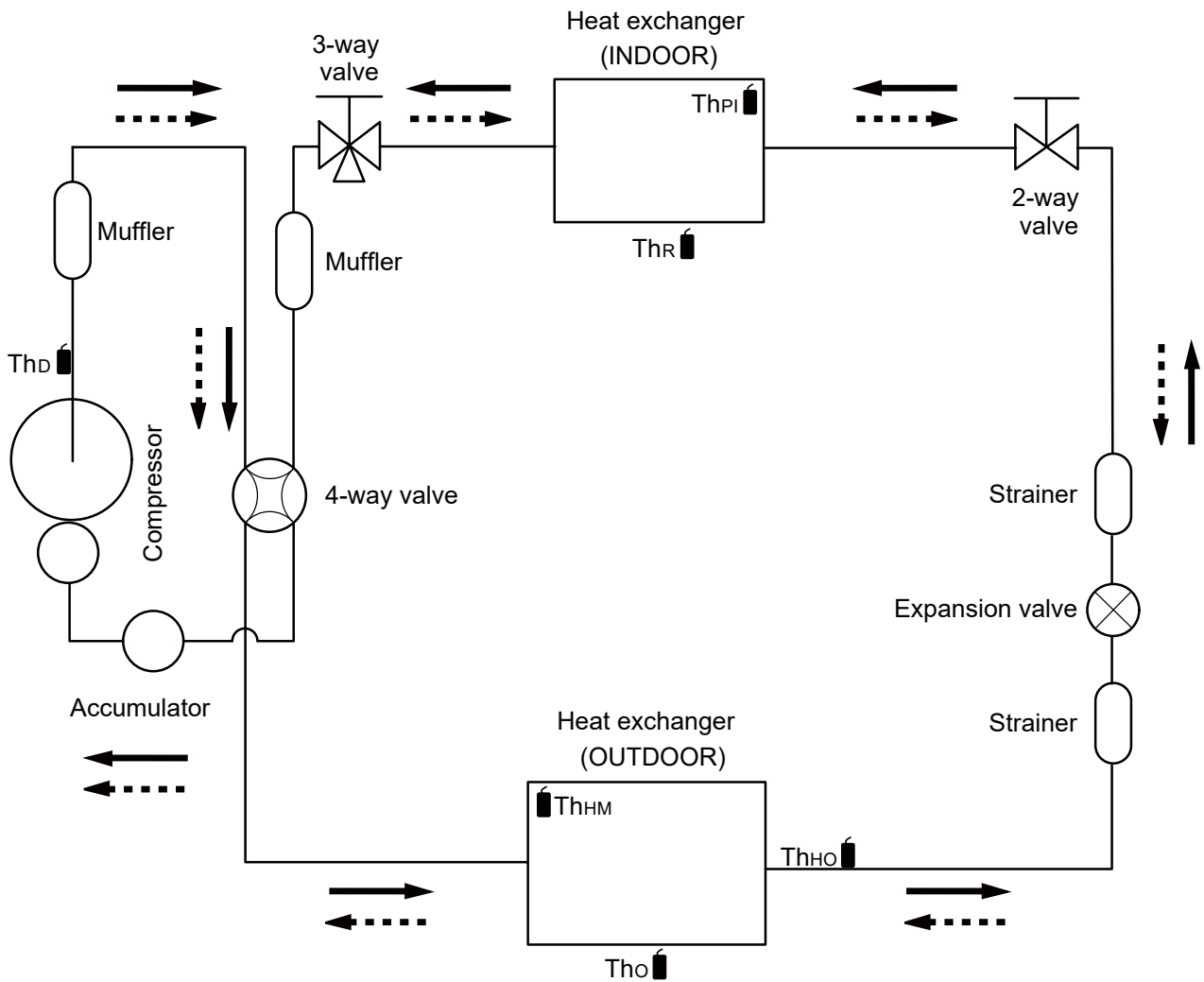
Refrigerant circuit

Models: ARXG12KHTAP/AOYG12KBTB and ARXG14KHTAP/AOYG14KBTB



- Th_D : Thermistor (Discharge temperature)
- Th_O : Thermistor (Outdoor temperature)
- Th_{HO} : Thermistor (Heat exchanger out temperature)
- Th_{HM} : Thermistor (Heat exchanger middle temperature)
- Th_R : Thermistor (Room temperature)
- Th_{PI} : Thermistor (Pipe temperature)

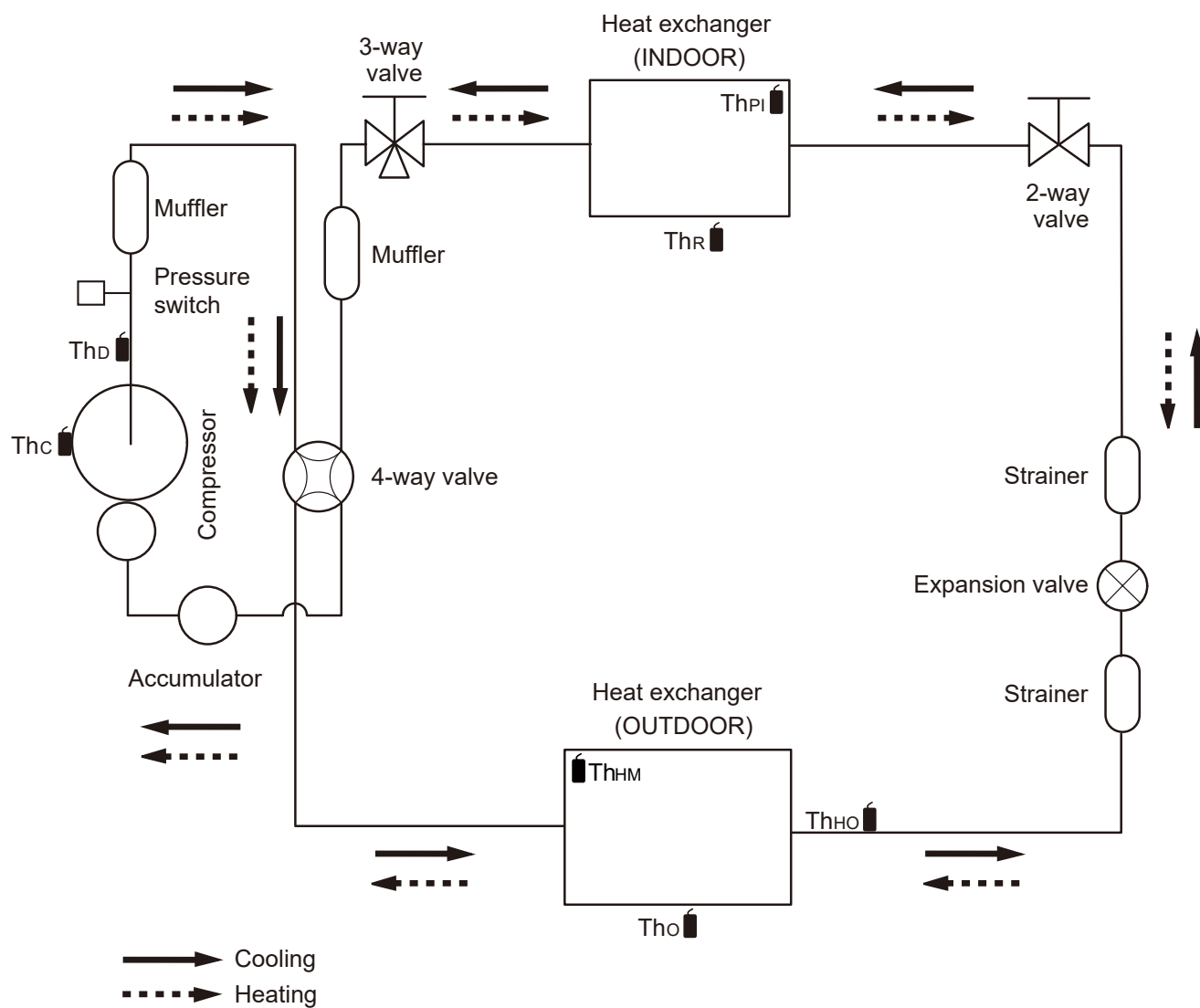
Models: ARXG18KHTAP/AOYG18KBTB



Cooling
 Heating

- Th_D : Thermistor (Discharge temperature)
- Th_o : Thermistor (Outdoor temperature)
- Th_{HO} : Thermistor (Heat exchanger out temperature)
- Th_{HM} : Thermistor (Heat exchanger middle temperature)
- Th_R : Thermistor (Room temperature)
- Th_{PI} : Thermistor (Pipe temperature)

Models: ARXG22KHTAP/AOYG22KBTB

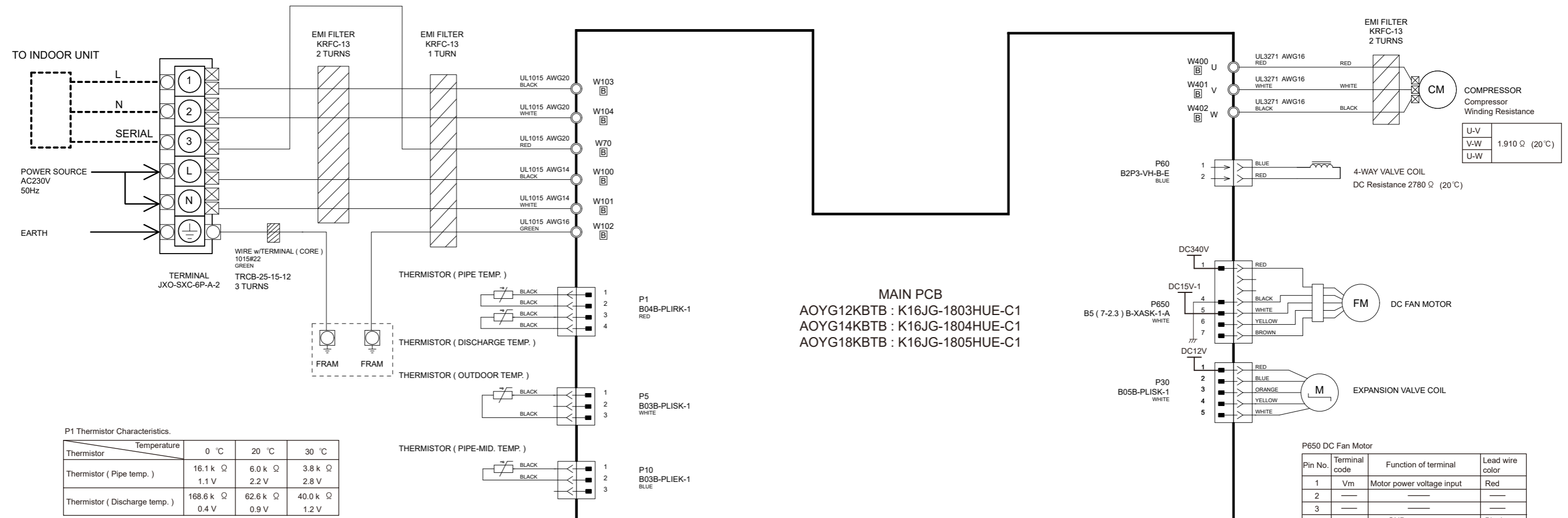


- Th_c : Thermistor (Compressor temperature)
- Th_D : Thermistor (Discharge temperature)
- Th_o : Thermistor (Outdoor temperature)
- Th_{HO} : Thermistor (Heat exchanger out temperature)
- Th_{HM} : Thermistor (Heat exchanger middle temperature)
- Th_R : Thermistor (Room temperature)
- Th_{PI} : Thermistor (Pipe temperature)

OUTDOOR PRINTED CIRCUIT BOARD CIRCUIT DIAGRAM

Models : AOYG12KBTB
AOYG14KBTB
AOYG18KBTB

INVERTER ASSEMBLY
AOYG12KBTB : EZ-018SHUE
AOYG14KBTB : EZ-018THUE
AOYG18KBTB : EZ-018THUE



MAIN PCB
AOYG12KBTB : K16JG-1803HUE-C1
AOYG14KBTB : K16JG-1804HUE-C1
AOYG18KBTB : K16JG-1805HUE-C1

P1 Thermistor Characteristics.

Thermistor	Temperature	0 °C	20 °C	30 °C
Thermistor (Pipe temp.)	Resistance	16.1 k Ω	6.0 k Ω	3.8 k Ω
	Voltage	1.1 V	2.2 V	2.8 V
Thermistor (Discharge temp.)	Resistance	168.6 k Ω	62.6 k Ω	40.0 k Ω
	Voltage	0.4 V	0.9 V	1.2 V

P5 Thermistor Characteristics.

Thermistor	Temperature	0 °C	20 °C	30 °C
Thermistor (Outdoor temp.)	Resistance	35.2 k Ω	12.6 k Ω	8.0 k Ω
	Voltage	2.6 V	3.8 V	4.1 V

P10 Thermistor Characteristics.

Thermistor	Temperature	0 °C	20 °C	30 °C
Thermistor (Pipe-mid. temp.)	Resistance	16.1 k Ω	6.0 k Ω	3.8 k Ω
	Voltage	1.1 V	2.2 V	2.8 V

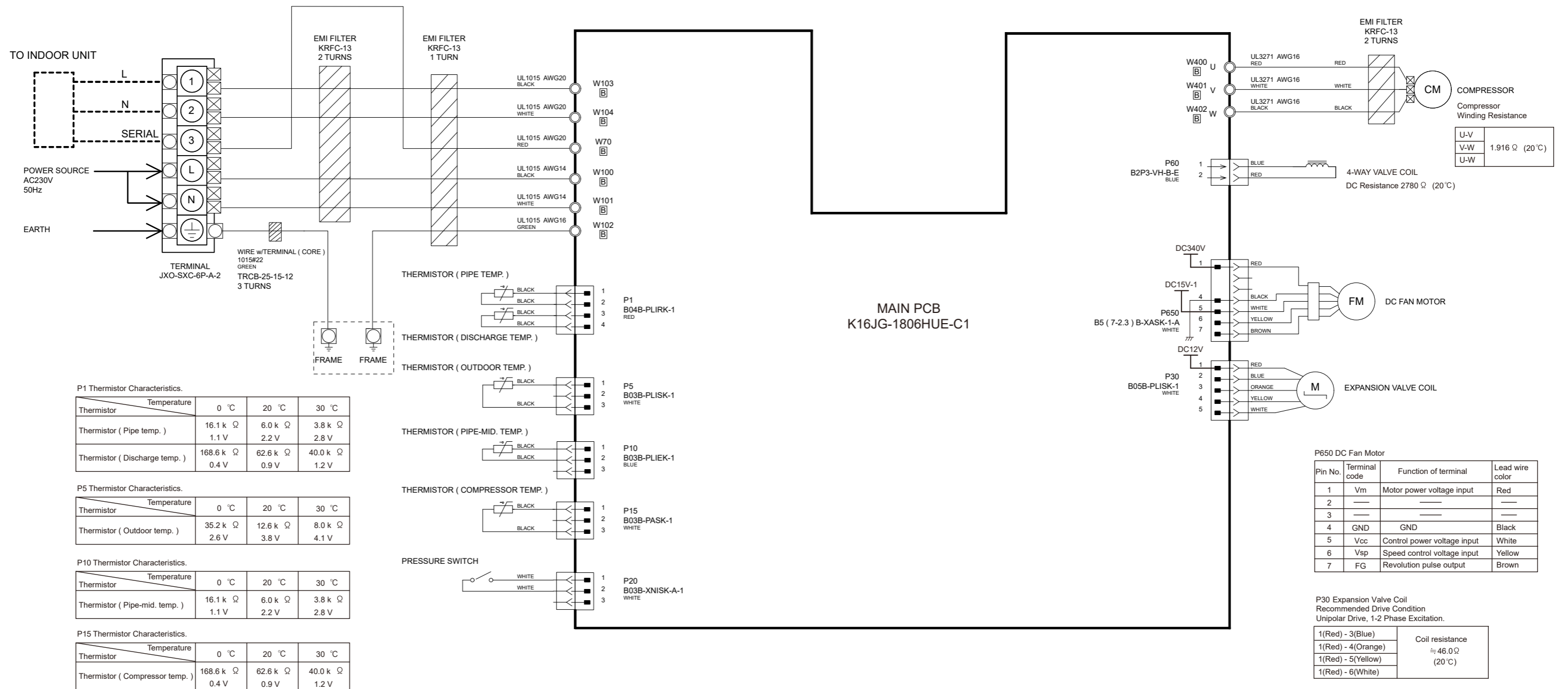
P650 DC Fan Motor

Pin No.	Terminal code	Function of terminal	Lead wire color
1	Vm	Motor power voltage input	Red
2	—	—	—
3	—	—	—
4	GND	GND	Black
5	Vcc	Control power voltage input	White
6	Vsp	Speed control voltage input	Yellow
7	FG	Revolution pulse output	Brown

P30 Expansion Valve Coil
Recommended Drive Condition
Unipolar Drive, 1-2 Phase Excitation.

1(Red) - 2(Blue)	Coil resistance ≈ 46.0 Ω (20 °C)
1(Red) - 3(Orange)	
1(Red) - 4(Yellow)	
1(Red) - 5(White)	

INVERTER ASSEMBLY
EZ-0118YHUE



Error codes

If you use a wired type remote controller, error codes will appear on the remote controller display. If you use a wireless remote controller, the lamps on the IR receiver unit will output error codes by way of blinking patterns. See the lamp blinking patterns and error codes in the table below. An error display is displayed only during operation. For more details, refer to the installation manual of the remote controller.

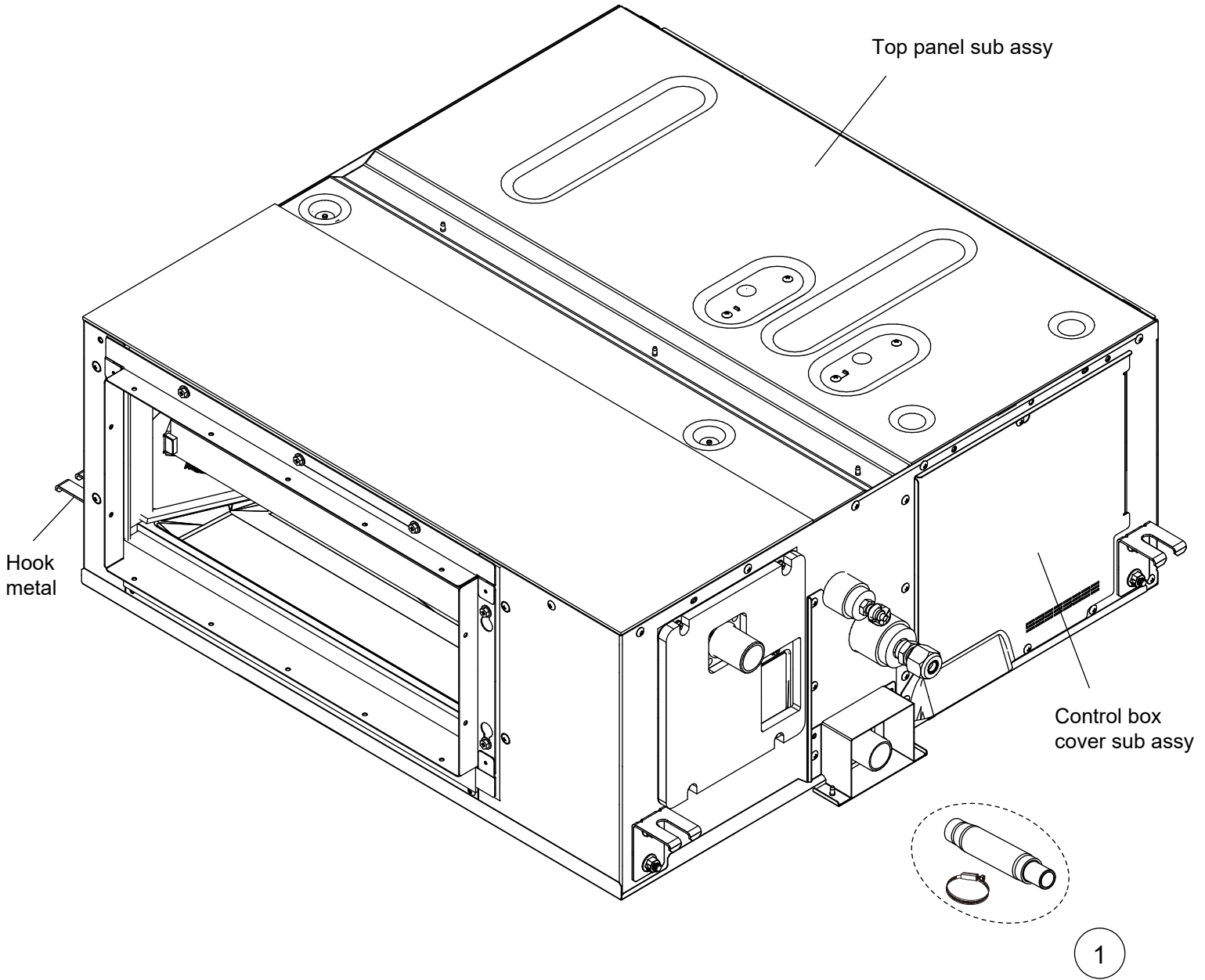
Error display			Wired remote controller Error code	Description
OPERATION lamp (green)	TIMER lamp (orange)	ECONOMY lamp (green)		
●(1)	●(1)	◇	11	Serial communication error
●(1)	●(2)	◇	12	Wired remote controller communication error
●(1)	●(5)	◇	15	Check run unfinished Automatic airflow adjustment error
●(1)	●(6)	◇	16	Peripheral unit transmission PCB connection error
●(1)	●(8)	◇	18	External communication error
●(2)	●(1)	◇	21	Unit number or Refrigerant circuit address setting error [Simultaneous Multi]
●(2)	●(2)	◇	22	Indoor unit capacity error
●(2)	●(3)	◇	23	Combination error
●(2)	●(4)	◇	24	• Connection unit number error (indoor secondary unit) [Simultaneous Multi] • Connection unit number error (indoor unit or branch unit) [Flexible Multi]
●(2)	●(6)	◇	26	Indoor unit address setting error
●(2)	●(7)	◇	27	Primary unit, secondary unit setup error [Simultaneous Multi]
●(2)	●(9)	◇	29	Connection unit number error in wired remote controller system
●(3)	●(1)	◇	31	Power supply interruption error
●(3)	●(2)	◇	32	Indoor unit PCB model information error
●(3)	●(3)	◇	33	Indoor unit motor electricity consumption detection error
●(3)	●(5)	◇	35	Manual auto switch error
●(3)	●(9)	◇	39	Indoor unit power supply error for fan motor
●(3)	●(10)	◇	3A	Indoor unit communication circuit (wired remote controller) error
●(4)	●(1)	◇	41	Room temp. sensor error
●(4)	●(2)	◇	42	Indoor unit heat ex. middle temp. sensor error
●(4)	●(4)	◇	44	Human sensor error
●(5)	●(1)	◇	51	Indoor unit fan motor error
●(5)	●(3)	◇	53	Drain pump error
●(5)	●(7)	◇	57	Damper error
●(5)	●(15)	◇	5U	Indoor unit error
●(6)	●(1)	◇	61	Outdoor unit reverse/missing phase and wiring error

Error display			Wired remote controller Error code	Description
OPERATION lamp (green)	TIMER lamp (orange)	ECONOMY lamp (green)		
●(6)	●(2)	◇	62	Outdoor unit main PCB model information error or communication error
●(6)	●(3)	◇	63	Inverter error
●(6)	●(4)	◇	64	Active filter error, PFC circuit error
●(6)	●(5)	◇	65	Trip terminal L error
●(6)	●(8)	◇	68	Outdoor unit rush current limiting resistor temp. rise error
●(6)	●(10)	◇	6A	Display PCB microcomputers communication error
●(7)	●(1)	◇	71	Discharge temp. sensor error
●(7)	●(2)	◇	72	Compressor temp. sensor error
●(7)	●(3)	◇	73	Outdoor unit Heat Ex. liquid temp. sensor error
●(7)	●(4)	◇	74	Outdoor temp. sensor error
●(7)	●(5)	◇	75	Suction Gas temp. sensor error
●(7)	●(6)	◇	76	• 2-way valve temp. sensor error • 3-way valve temp. sensor error
●(7)	●(7)	◇	77	Heat sink temp. sensor error
●(8)	●(2)	◇	82	• Sub-cool Heat Ex. gas inlet temp. sensor error • Sub-cool Heat Ex. gas outlet temp. sensor error
●(8)	●(3)	◇	83	Liquid pipe temp. sensor error
●(8)	●(4)	◇	84	Current sensor error
●(8)	●(6)	◇	86	• Discharge pressure sensor error • Suction pressure sensor error • High pressure switch error
●(9)	●(4)	◇	94	Trip detection
●(9)	●(5)	◇	95	Compressor rotor position detection error (permanent stop)
●(9)	●(7)	◇	97	Outdoor unit fan motor 1 error
●(9)	●(8)	◇	98	Outdoor unit fan motor 2 error
●(9)	●(9)	◇	99	4-way valve error
●(9)	●(10)	◇	9A	Coil (expansion valve) error
●(10)	●(1)	◇	A1	Discharge temp. error
●(10)	●(3)	◇	A3	Compressor temp. error
●(10)	●(4)	◇	A4	High pressure error
●(10)	●(5)	◇	A5	Low pressure error
●(13)	●(2)	◇	J2	Branch boxes error [Flexible Multi]

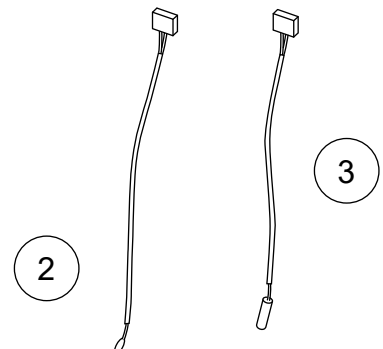
Display mode ● : 0.5s ON / 0.5s OFF
◇ : 0.1s ON / 0.1s OFF
() : Number of flashing

Parts

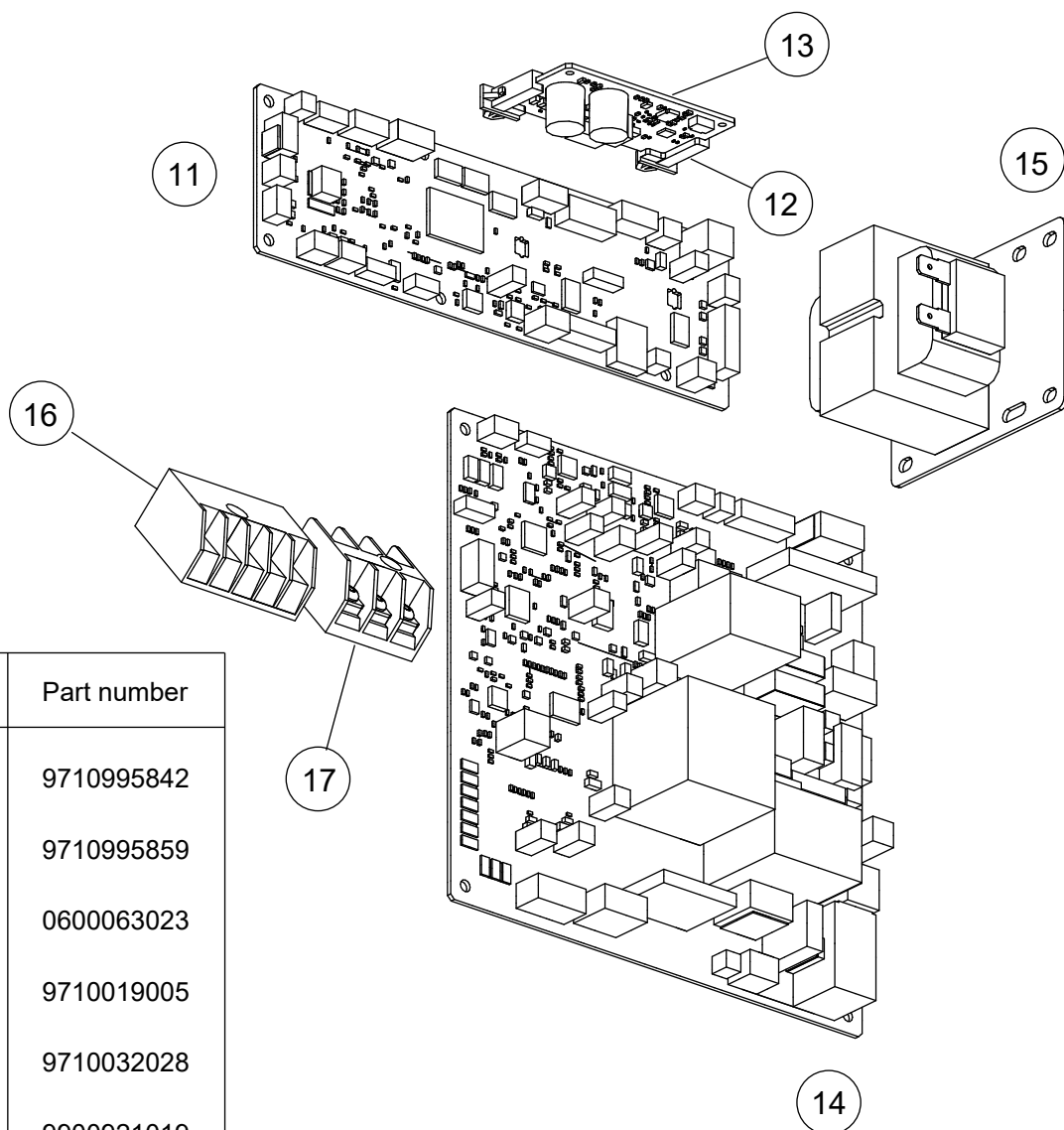
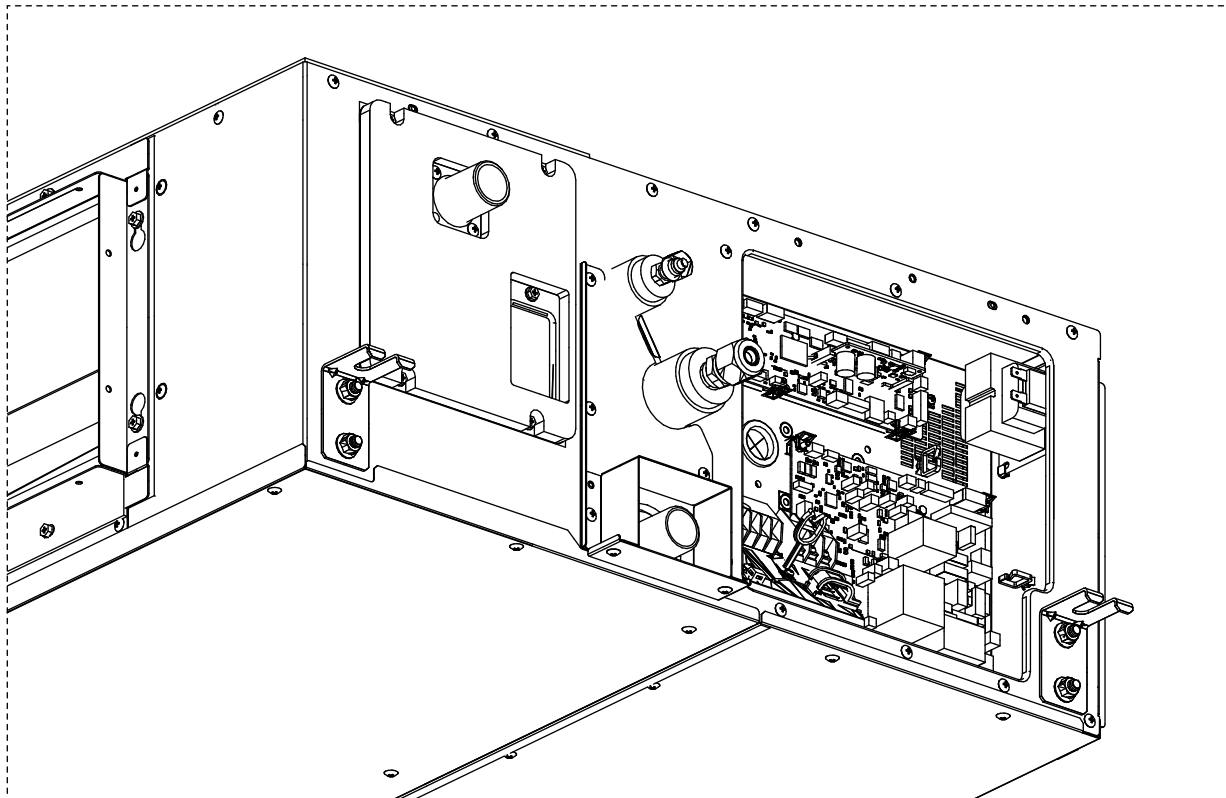
INDOOR UNIT
ARXG12KHTAP
ARXG14KHTAP



Ref.	Description	Part number
1	Hose sub assy	9378450196
2	Room Thermistor	9703299278
3	Pipe Thermistor	9900892005

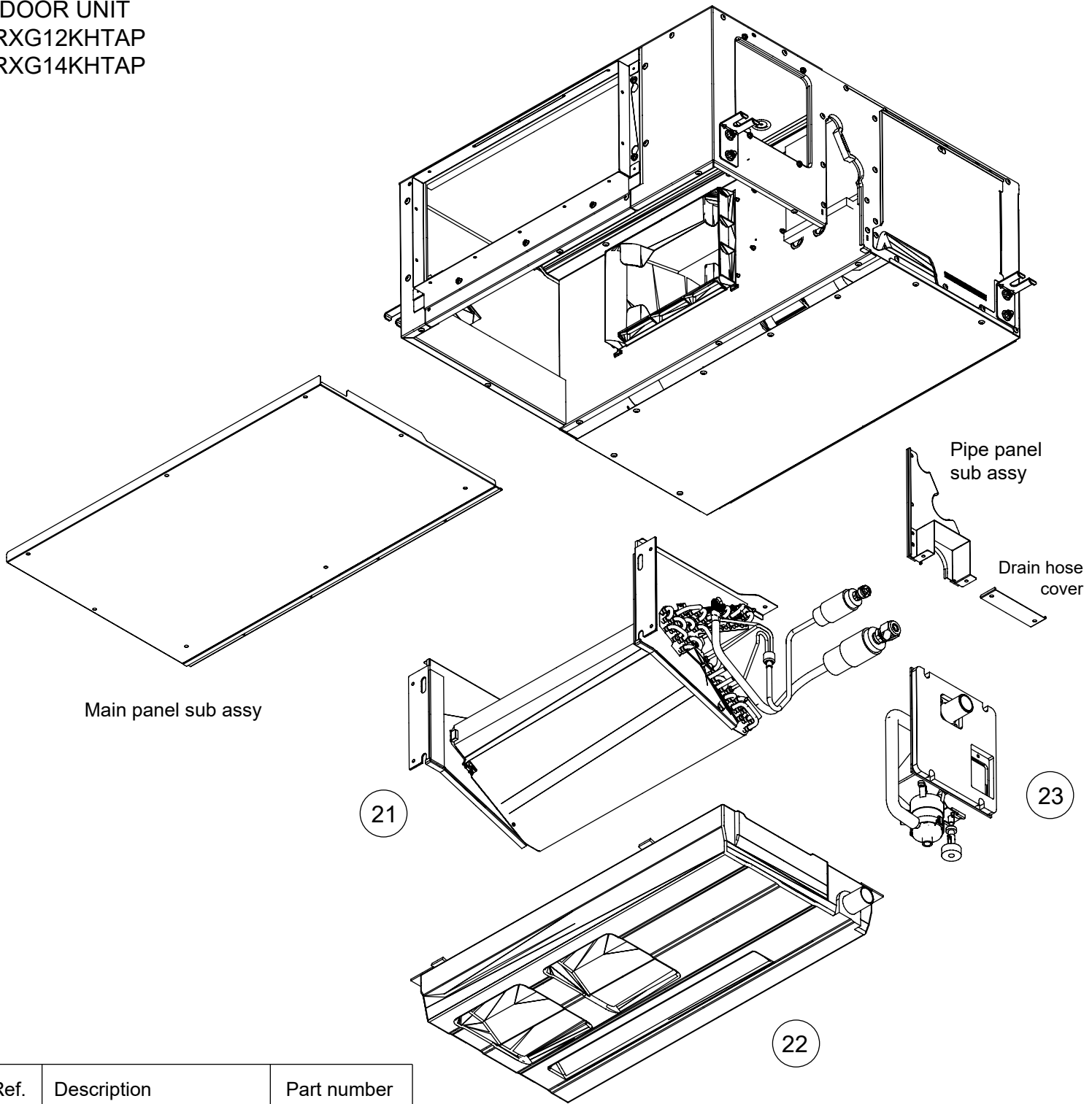


INDOOR UNIT
ARXG12KHTAP
ARXG14KHTAP

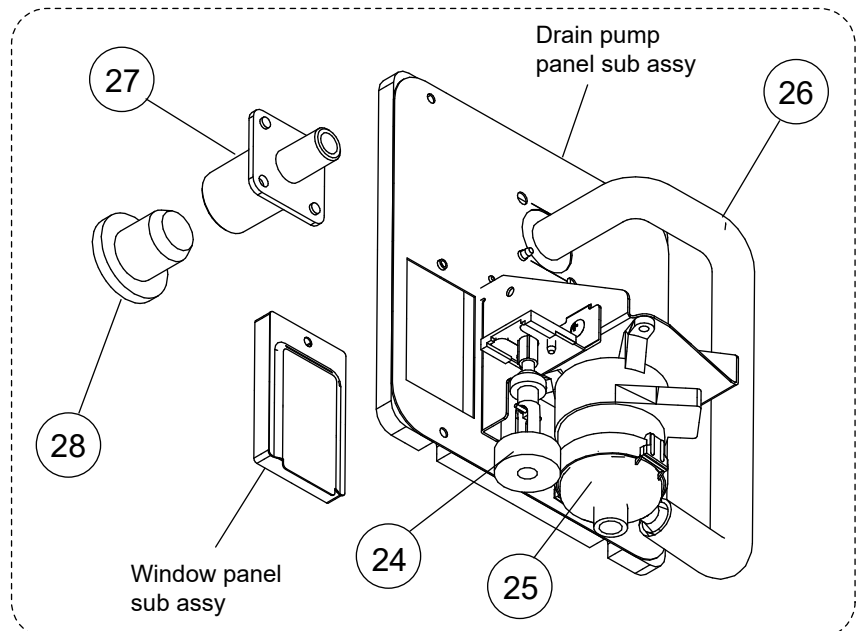


Ref.	Description	Part number
11	Main PCB (12KHTAP)	9710995842
11	Main PCB (14KHTAP)	9710995859
12	Holder	0600063023
13	Communication PCB	9710019005
14	Power Supply PCB	9710032028
15	Reactor Assy	9900921019
16	Terminal (Remote)	9900896003
17	Terminal (Power)	9900568009

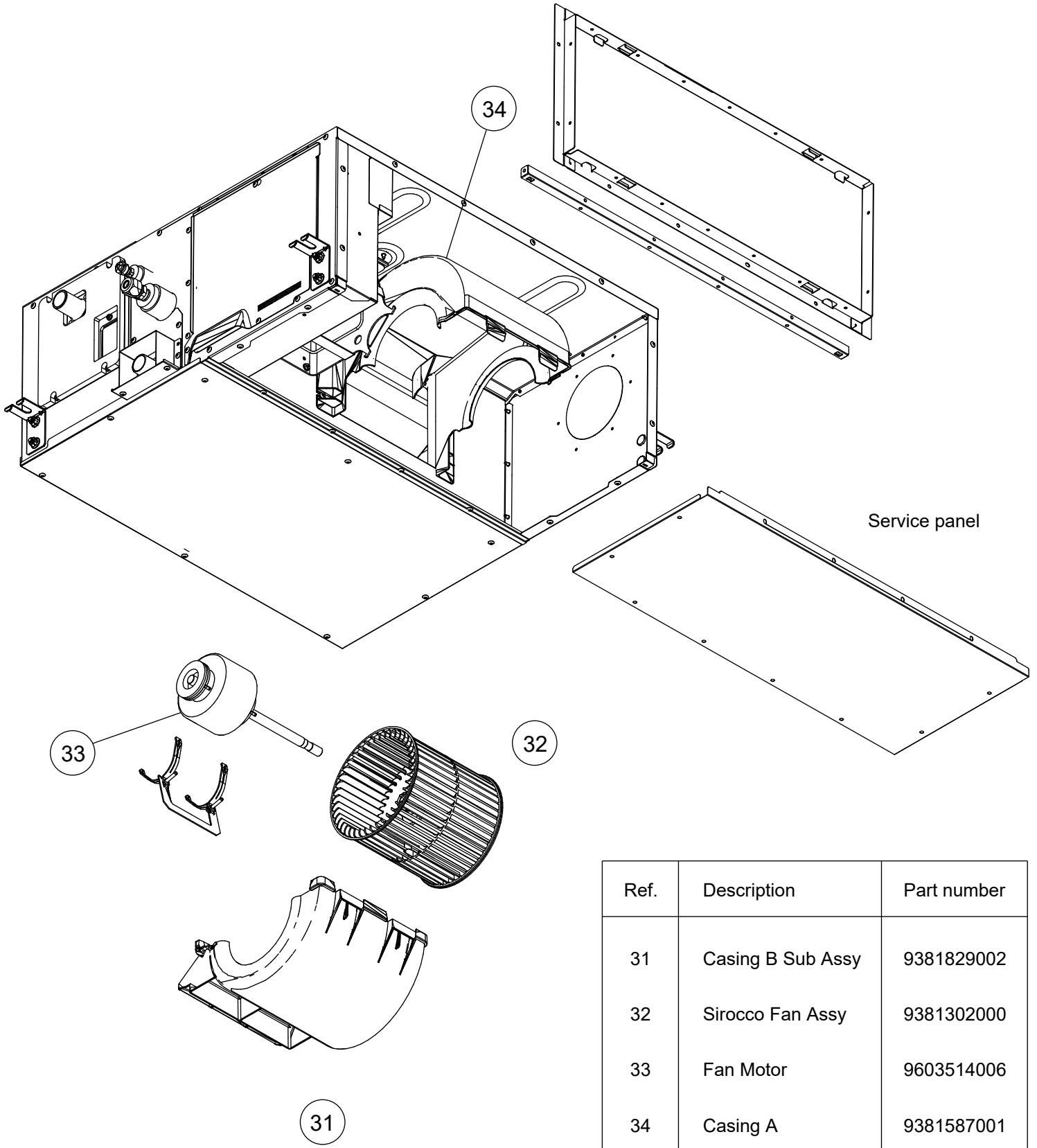
INDOOR UNIT
ARXG12KHTAP
ARXG14KHTAP



Ref.	Description	Part number
21	Evaporator total assy	9383816024
22	Drain pan sub assy	9381752034
23	Drain Pump Sub Assy	9381766017
24	Float switch	9900465070
25	Pump assy	9900890018
26	Drain Hose	9381576005
27	Drain port	9381565009
28	Drain cap	9381578009

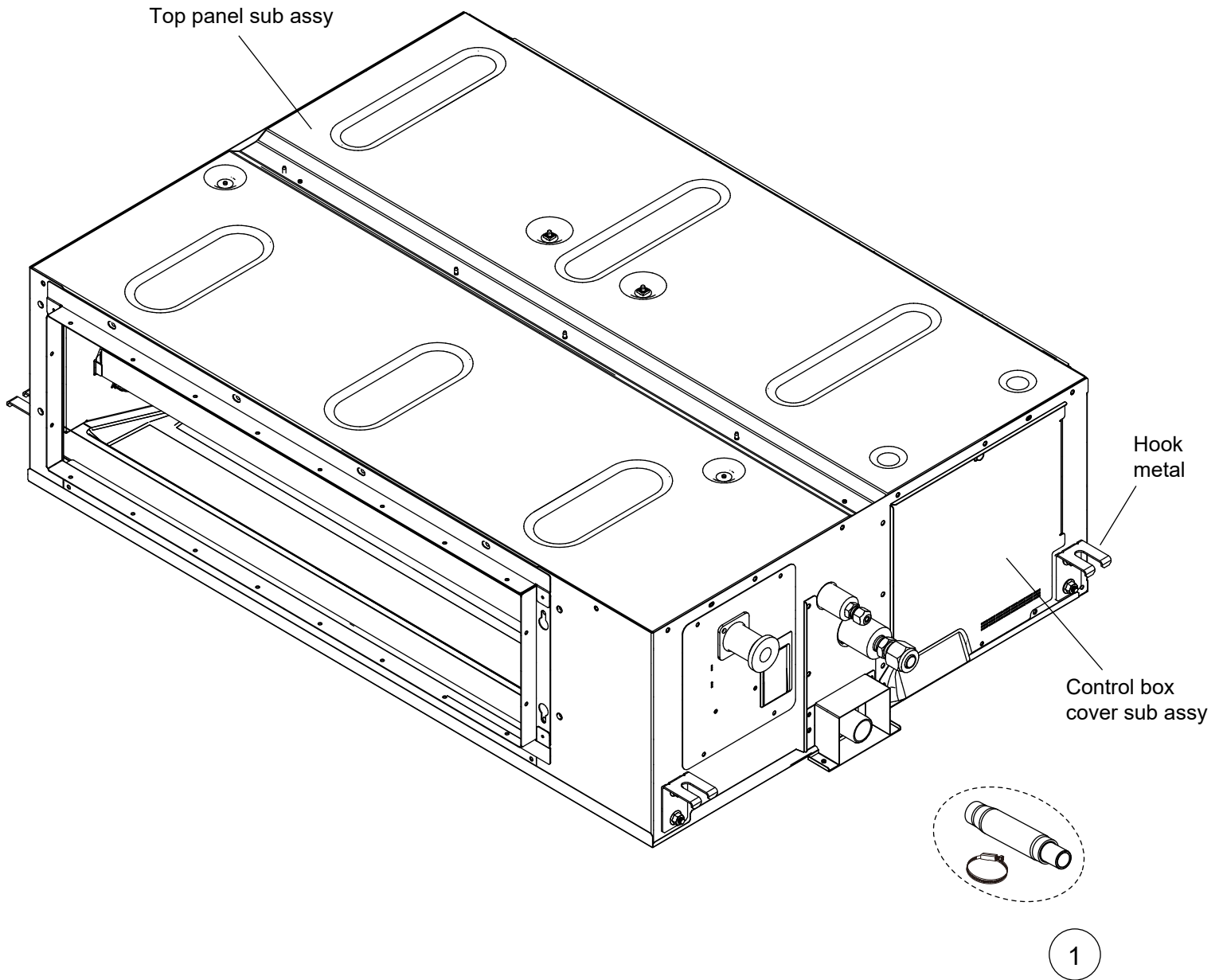


INDOOR UNIT
 ARXG12KHTAP
 ARXG14KHTAP

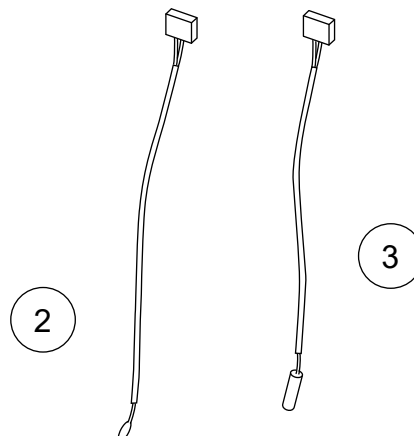


Ref.	Description	Part number
31	Casing B Sub Assy	9381829002
32	Sirocco Fan Assy	9381302000
33	Fan Motor	9603514006
34	Casing A	9381587001

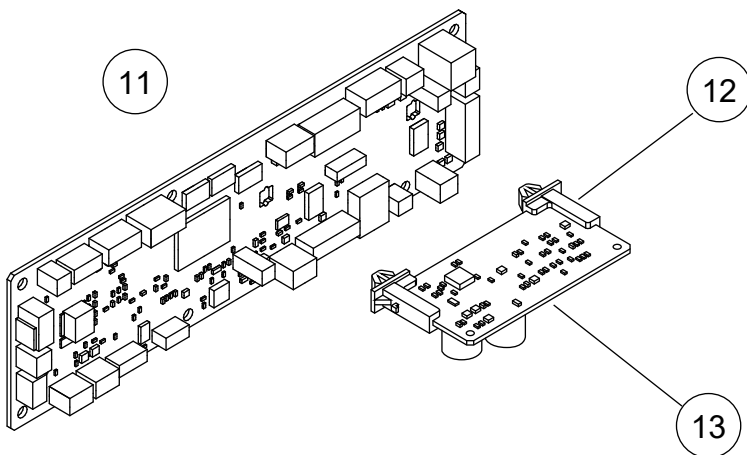
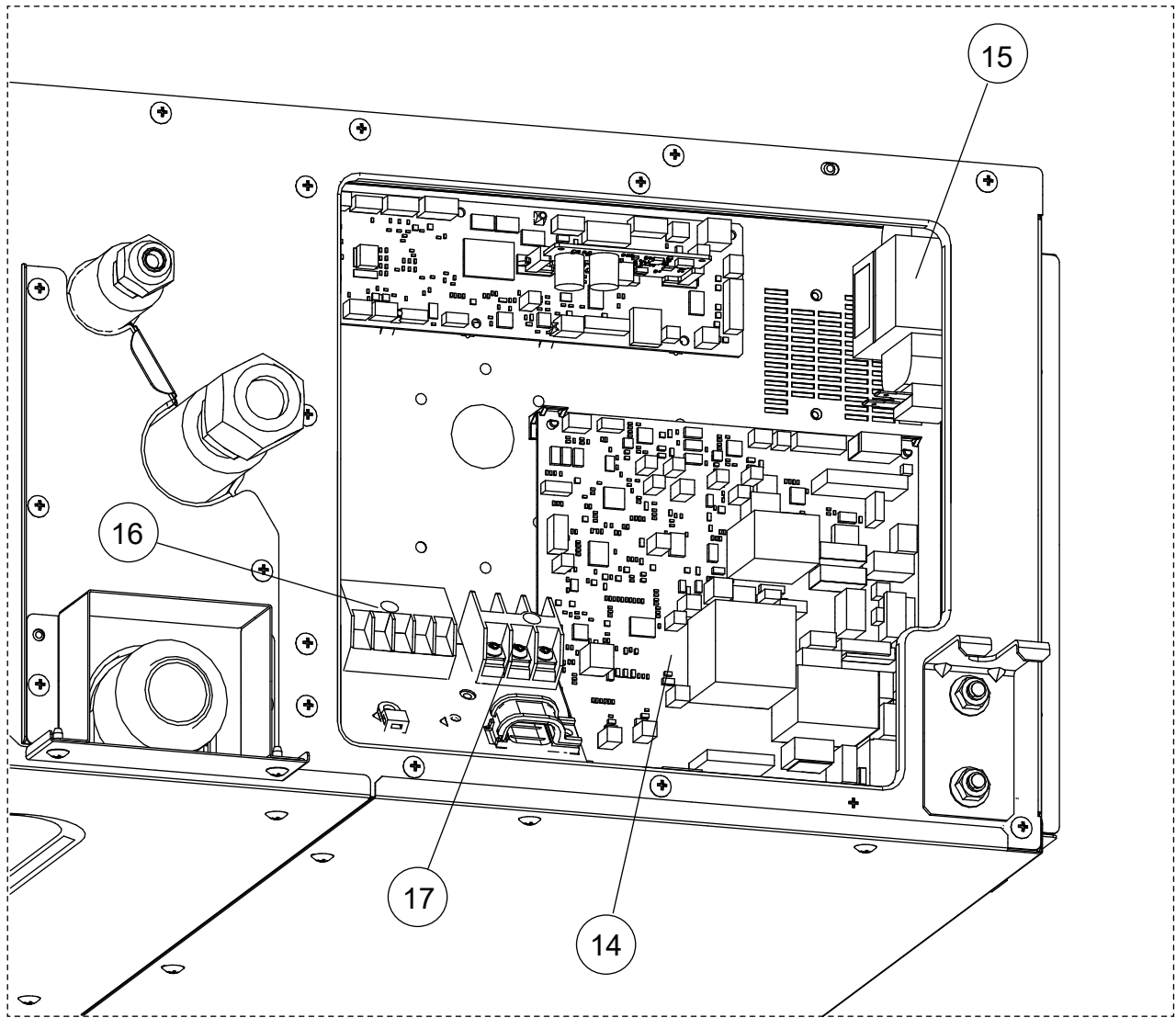
INDOOR UNIT
ARXG18KHTAP
ARXG22KHTAP



Ref.	Description	Part number
1	Hose sub assy	9378450196
2	Room thermistor	9703299278
3	Pipe thermistor	9900892005

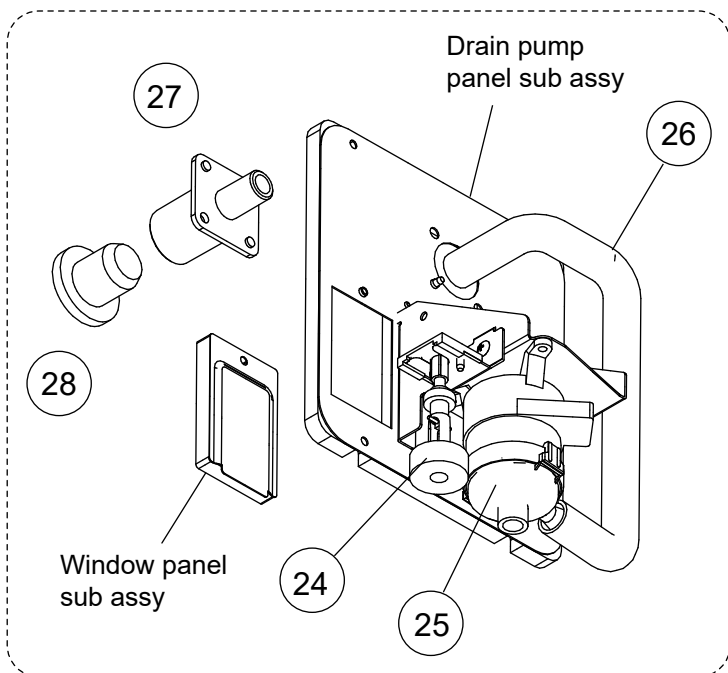
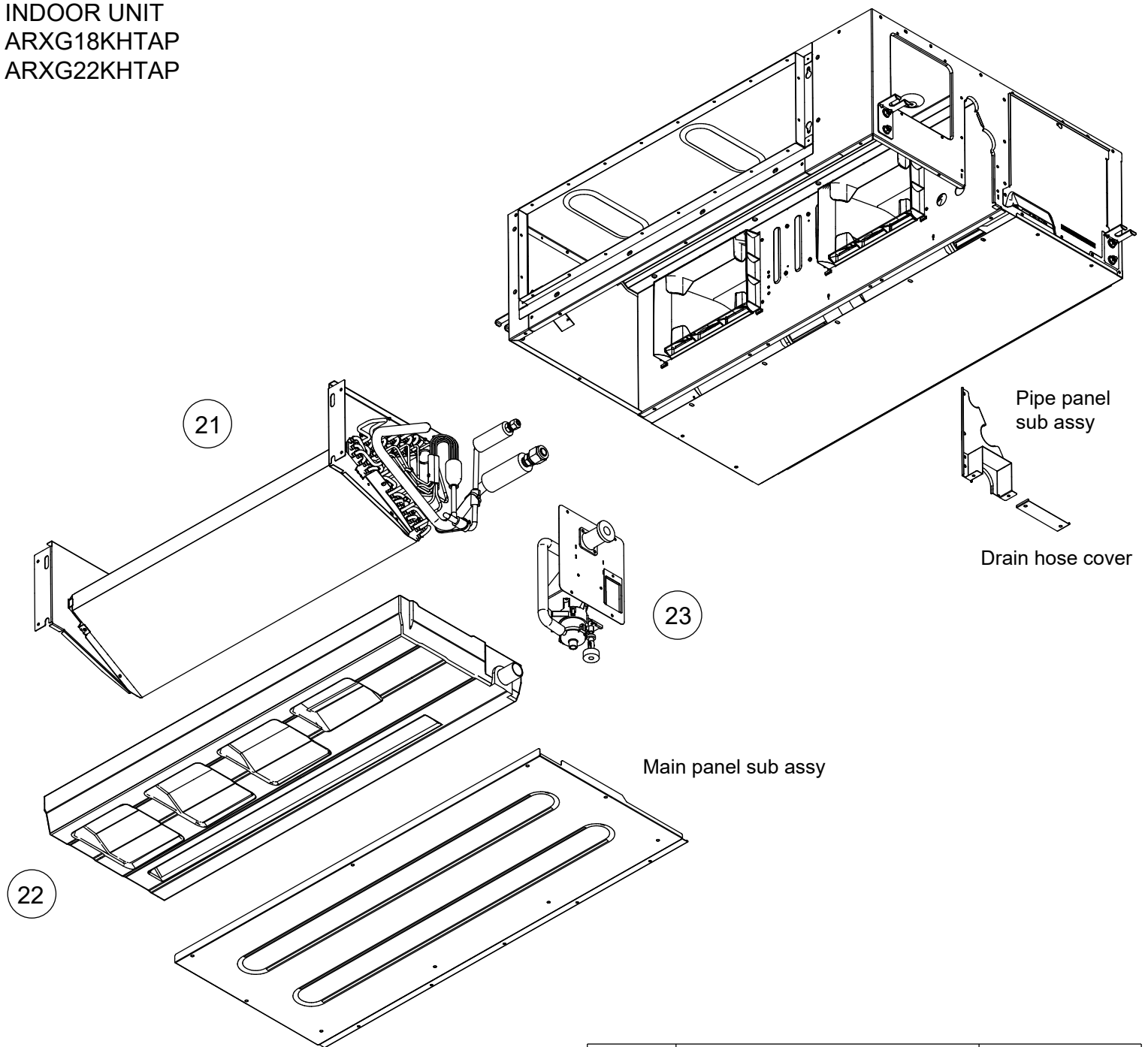


INDOOR UNIT
ARXG18KHTAP
ARXG22KHTAP



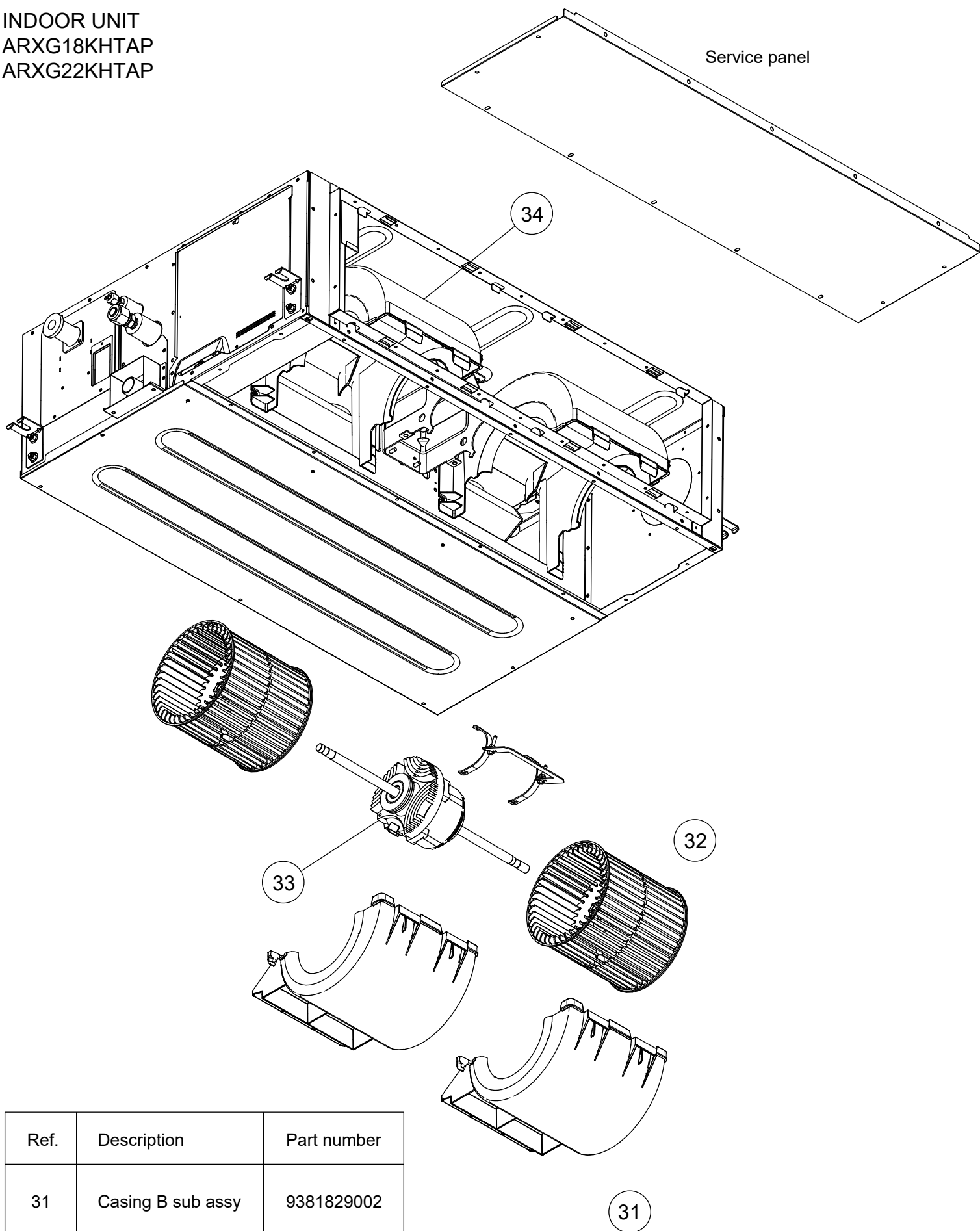
Ref.	Description	Part number
11	Main PCB (18KHTAP)	9710995736
11	Main PCB (22KHTAP)	9710995620
12	Holder	0600063023
13	Communication PCB	9710019005
14	Power Supply PCB	9710032011
15	Reactor Assy	9900898014
16	Terminal (Remote)	9900896003
17	Terminal (Power)	9900568009

INDOOR UNIT
ARXG18KHTAP
ARXG22KHTAP



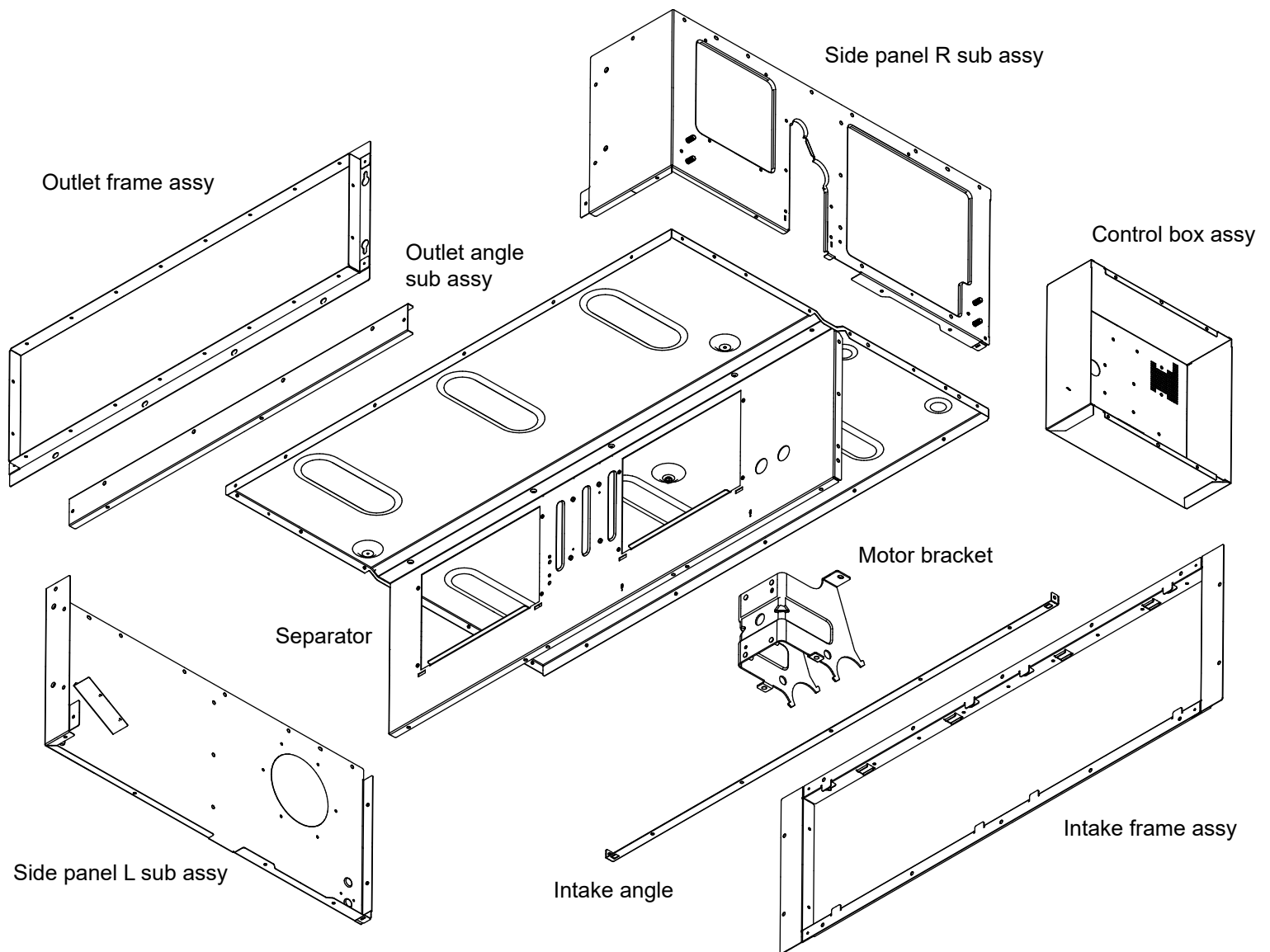
Ref.	Description	Part number
21	Evaporator Total Assy	9374517961
22	Drain Pan Sub Assy	9381752027
23	Drain Pump Sub Assy	9381766017
24	Float Switch	9900465070
25	Pump Assy	9900890018
26	Drain Hose	9381576005
27	Drain Port	9381565009
28	Drain Cap	9381578009

INDOOR UNIT
ARXG18KHTAP
ARXG22KHTAP

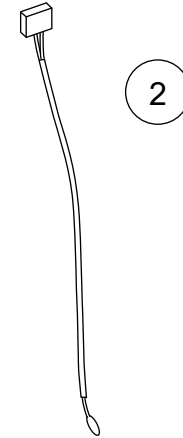
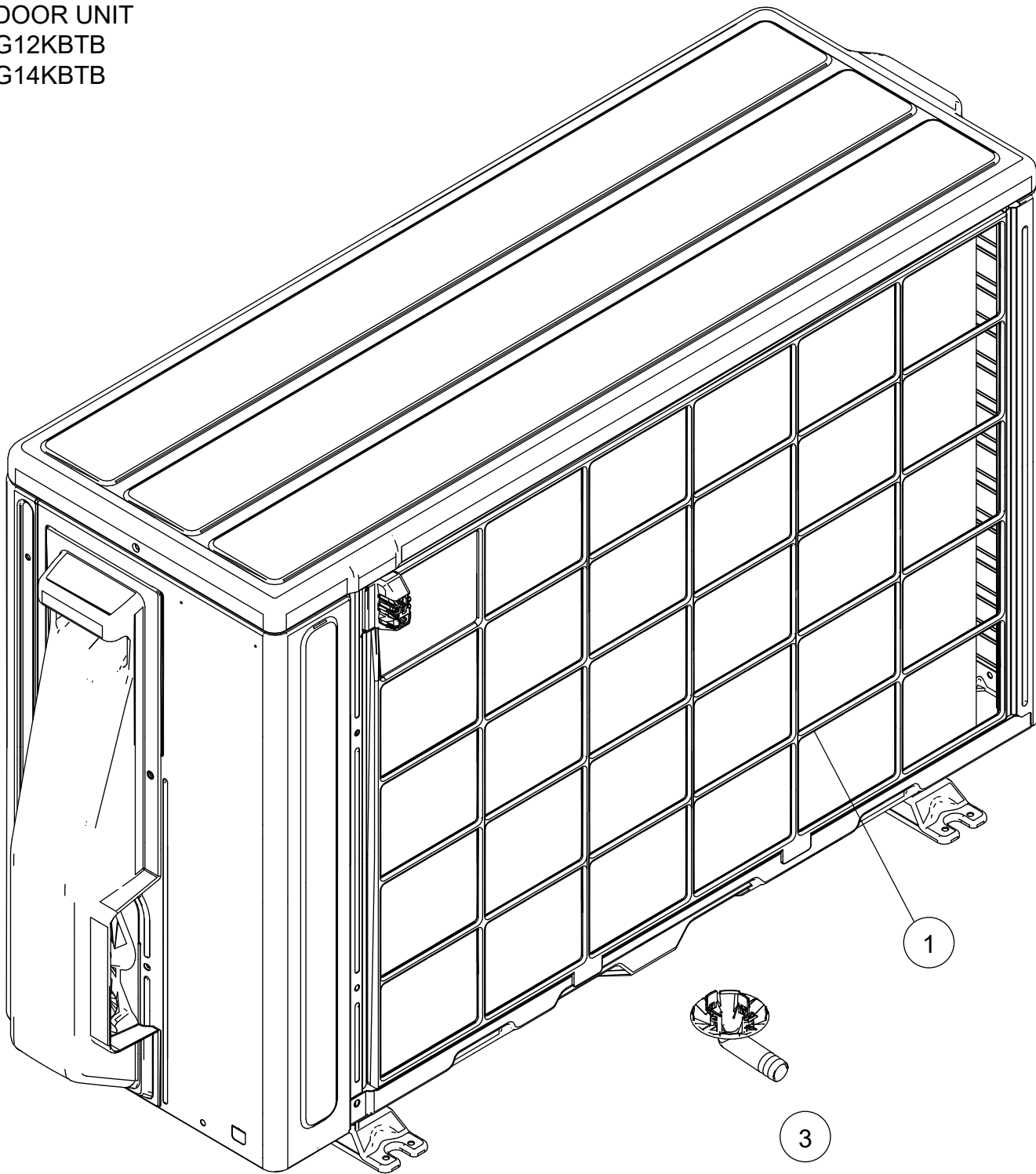


Ref.	Description	Part number
31	Casing B sub assy	9381829002
32	Sirocco fan assy	9381302000
33	Fan motor	9603479015
34	Casing A	9381587001

INDOOR UNIT
ARXG18KHTAP
ARXG22KHTAP

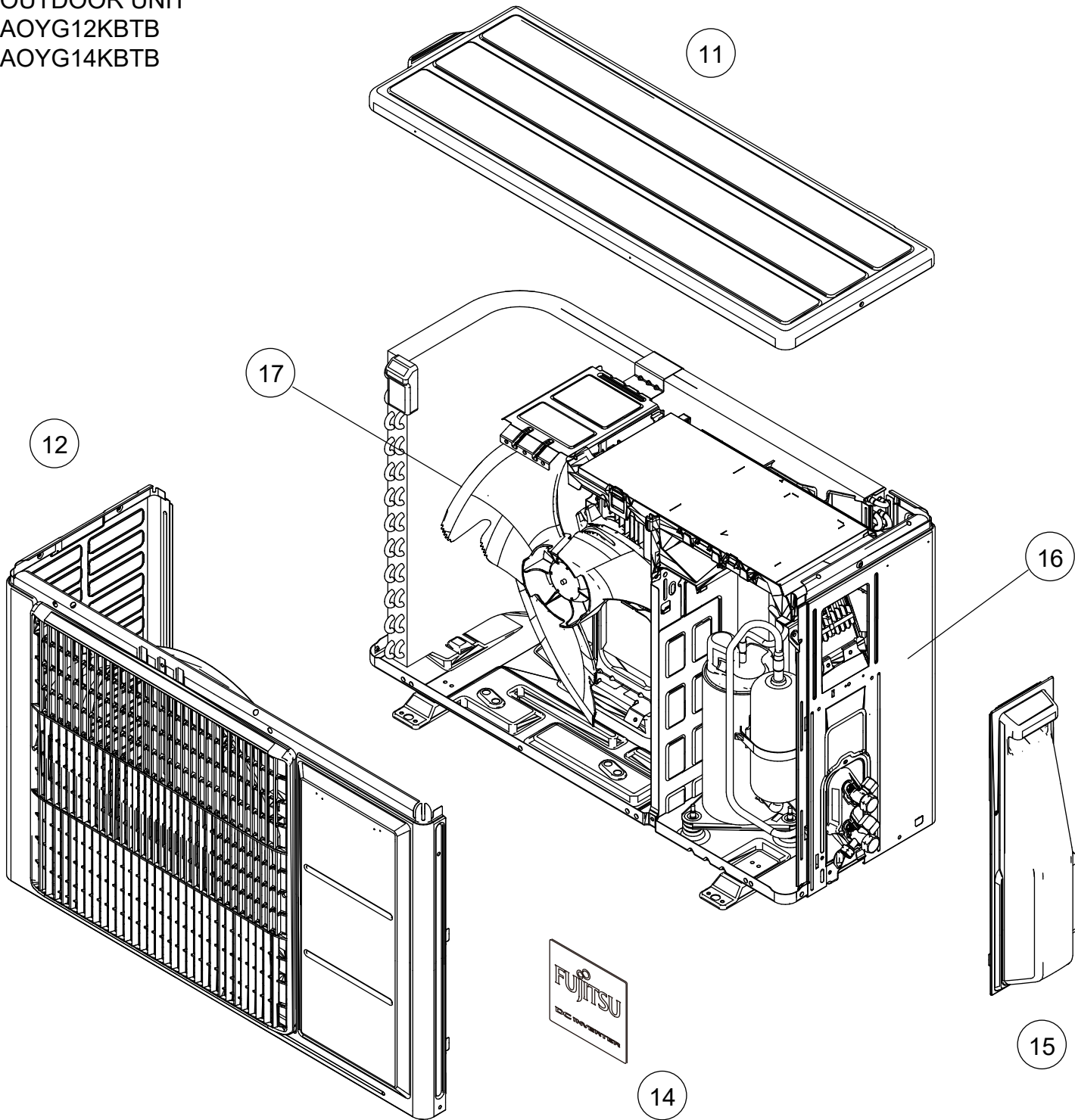


OUTDOOR UNIT
 AOYG12KBTB
 AOYG14KBTB

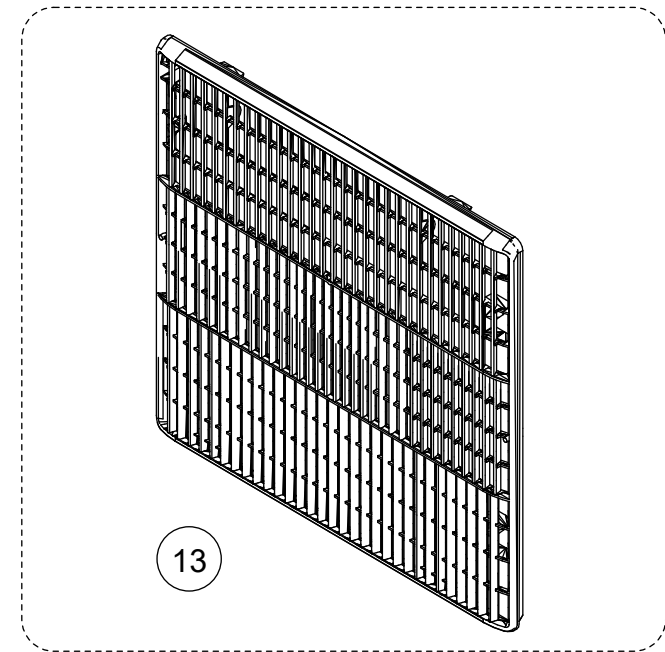


Ref.	Description	Part number
1	Protective net assy	9322811011
2	Outdoor thermistor	9900565060
3	Drain pipe	9322144003

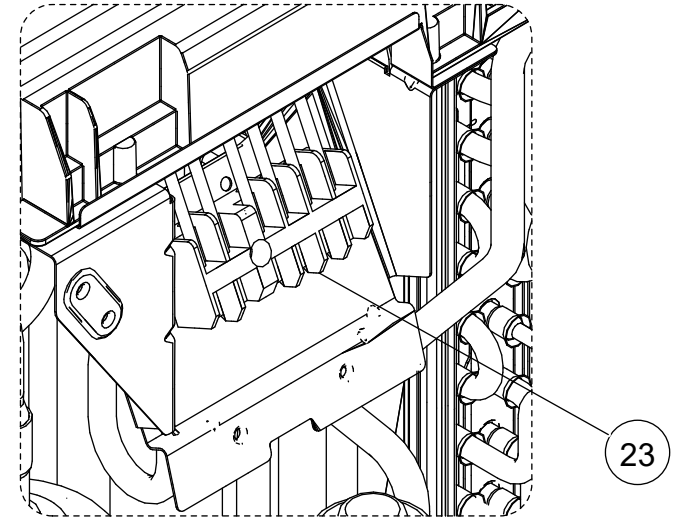
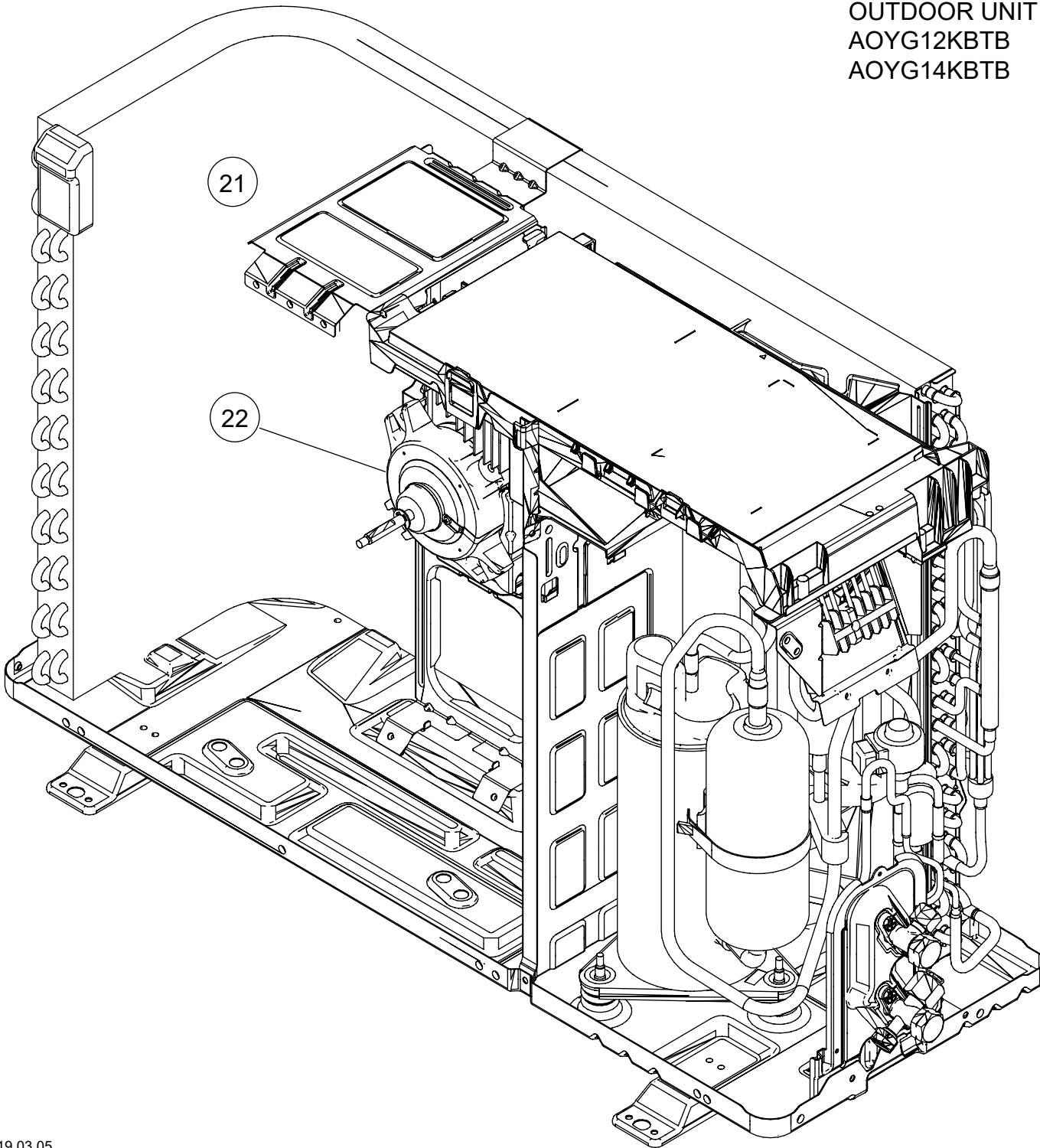
OUTDOOR UNIT
 AOYG12KBTB
 AOYG14KBTB



Ref.	Description	Part number
11	Top panel assy	9322556028
12	Front panel assy	9322555014
13	Blow grille	9322135001
14	Emblem	9319151007
15	Switch cover assy	9322570000
16	Cabinet right assy	9322552020
17	Propeller fan	9322136008

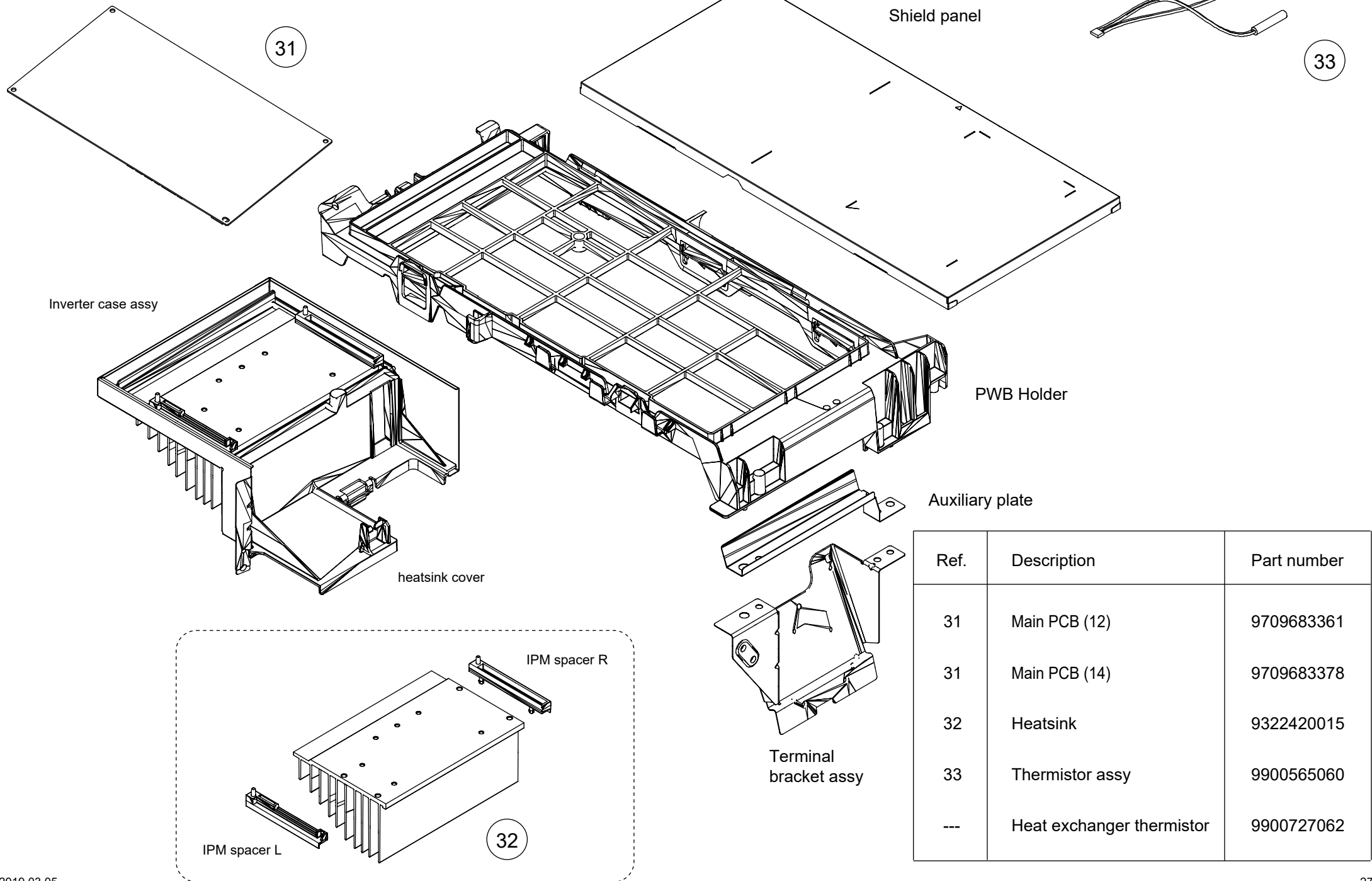


OUTDOOR UNIT
 AOYG12KBTB
 AOYG14KBTB



Ref.	Description	Part number
21	Motor bracket assy	9322553010
22	Brushless motor	9603657017
23	Terminal	9900435028

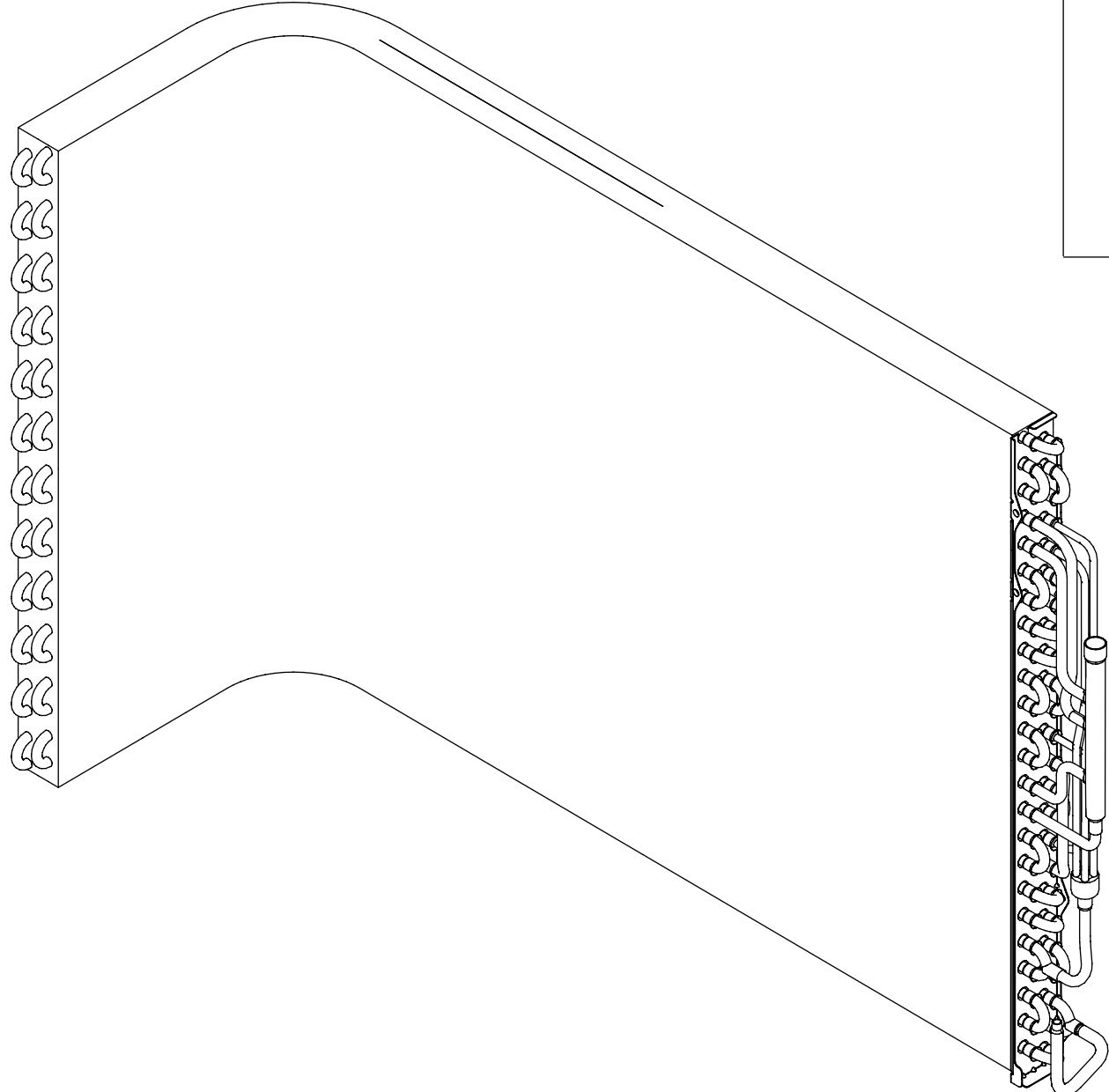
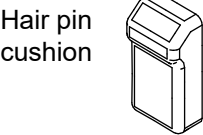
OUTDOOR UNIT
 AOYG12KBTB
 AOYG14KBTB



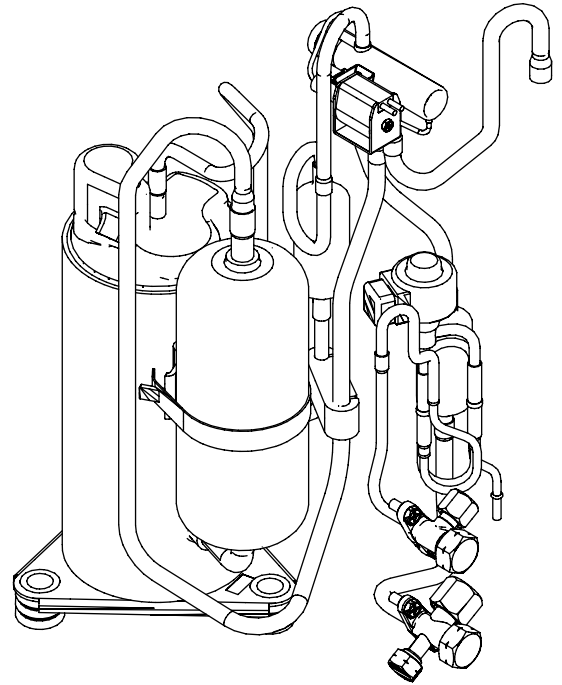
Ref.	Description	Part number
31	Main PCB (12)	9709683361
31	Main PCB (14)	9709683378
32	Heatsink	9322420015
33	Thermistor assy	9900565060
---	Heat exchanger thermistor	9900727062

OUTDOOR UNIT
 AOYG12KBTB
 AOYG14KBTB

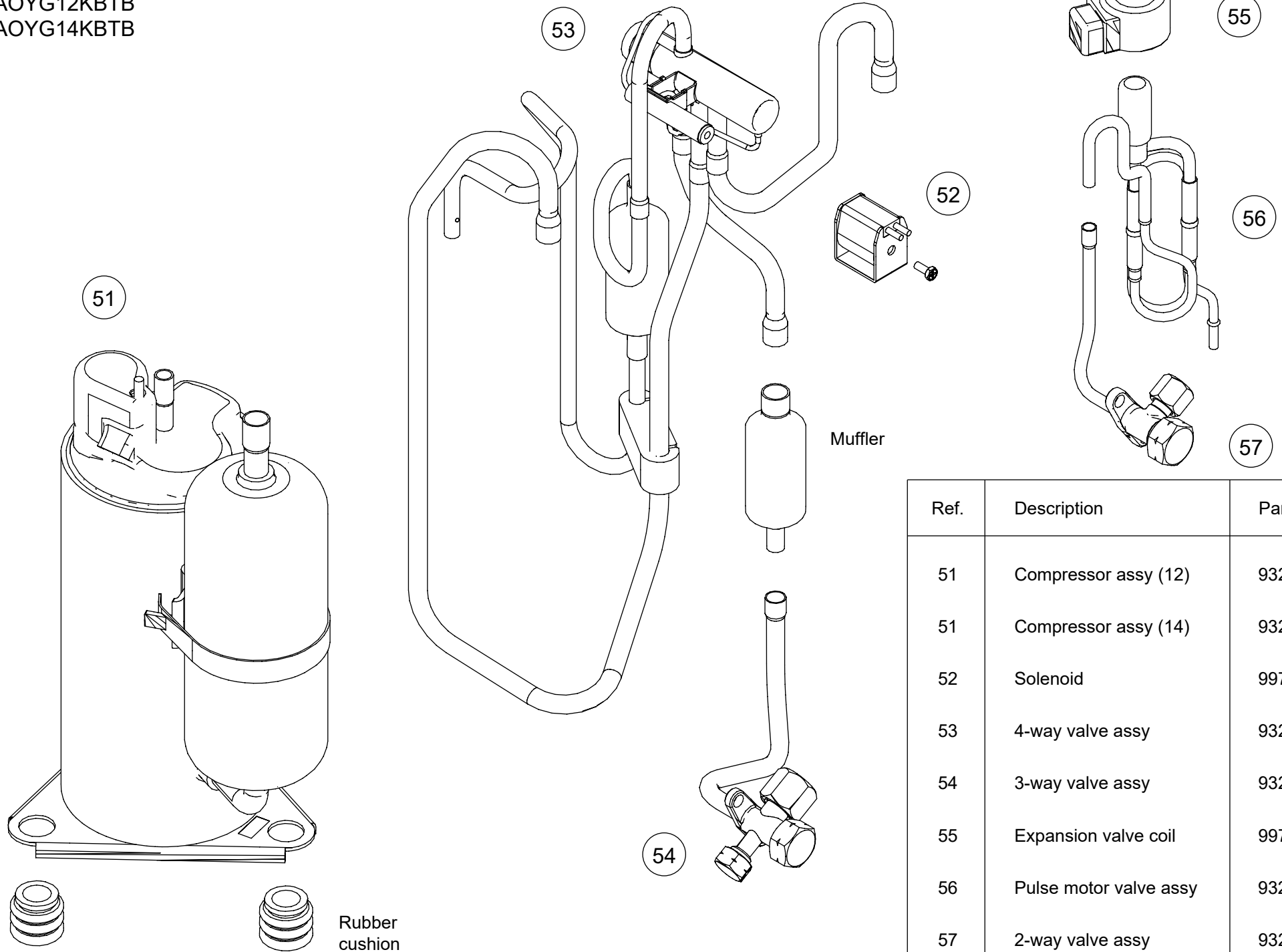
41



Ref.	Description	Part number
41	Condenser total assy	9322275004
-	S-insulator B	9322535009
-	S-insulator F	9322536006
-	S-insulator H	9322537003
-	S-insulator V	9323045002

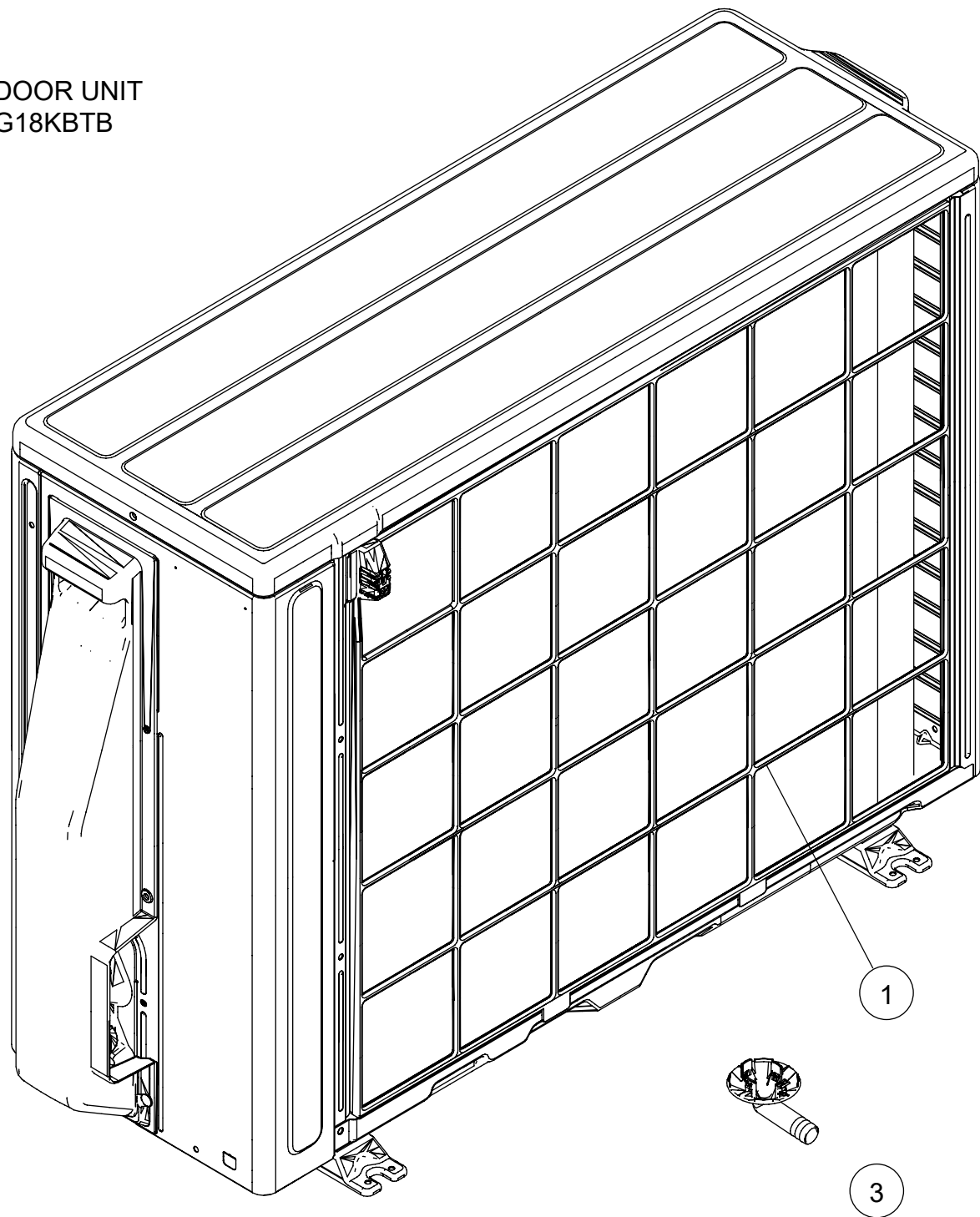


OUTDOOR UNIT
 AOYG12KBTB
 AOYG14KBTB



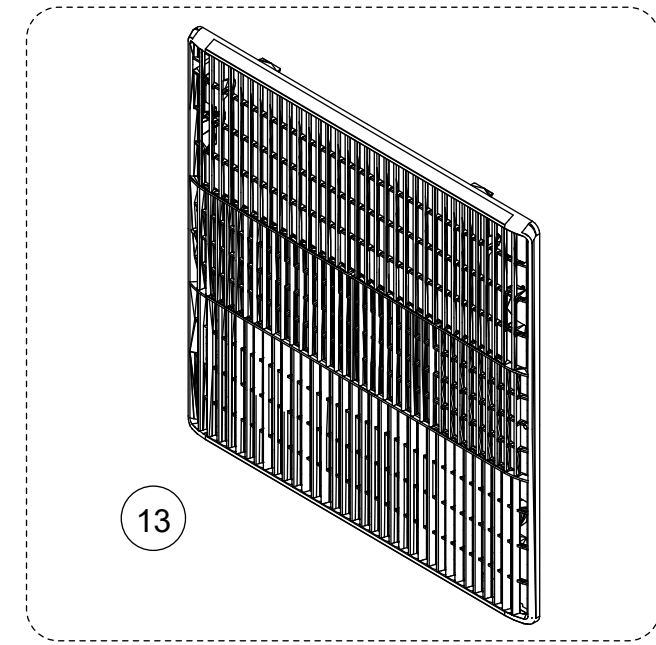
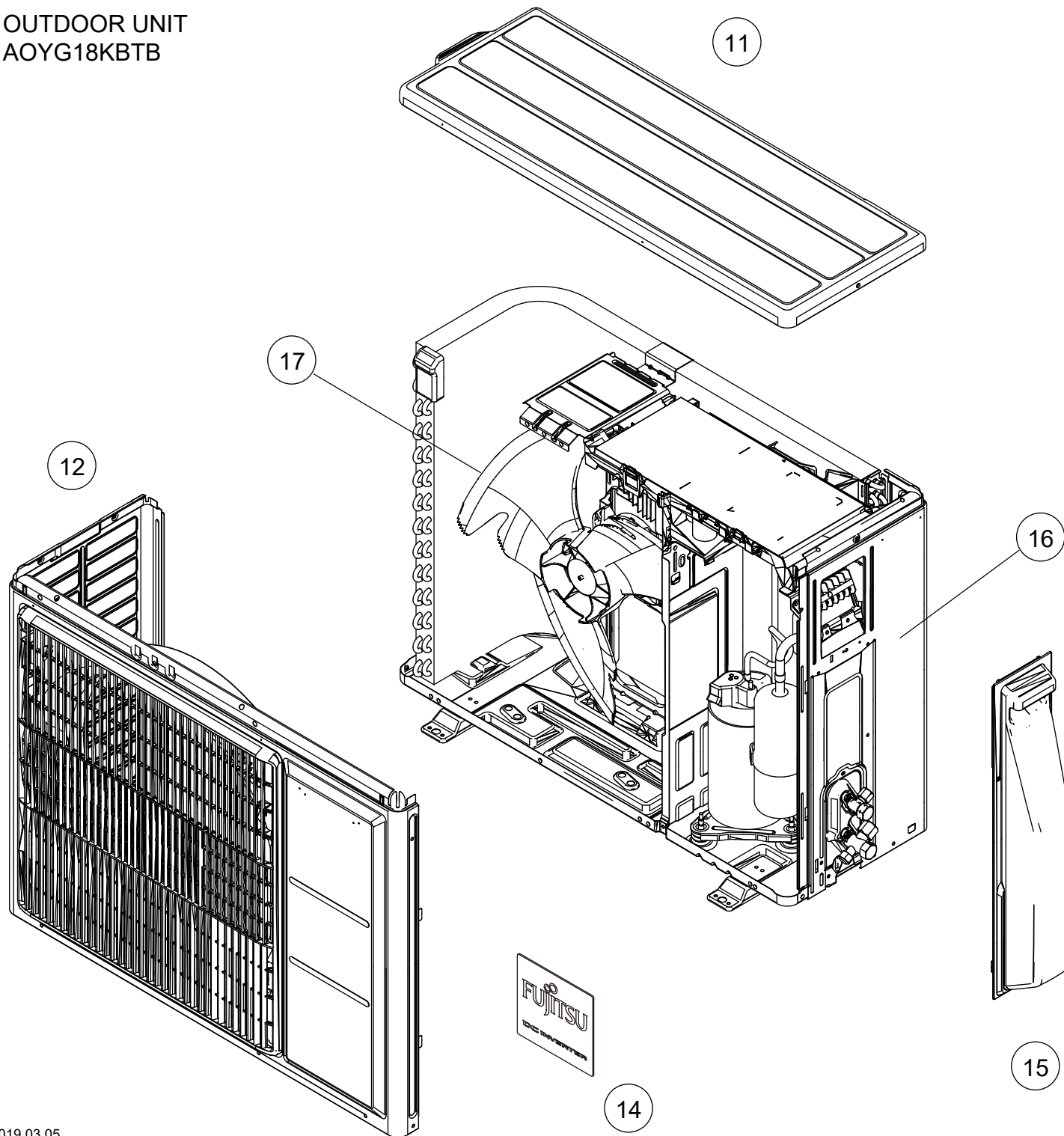
Ref.	Description	Part number
51	Compressor assy (12)	9322431004
51	Compressor assy (14)	9322433008
52	Solenoid	9970195006
53	4-way valve assy	9322445001
54	3-way valve assy	9322475008
55	Expansion valve coil	9970173028
56	Pulse motor valve assy	9322463029
57	2-way valve assy	9322474001

OUTDOOR UNIT
AOYG18KBTB



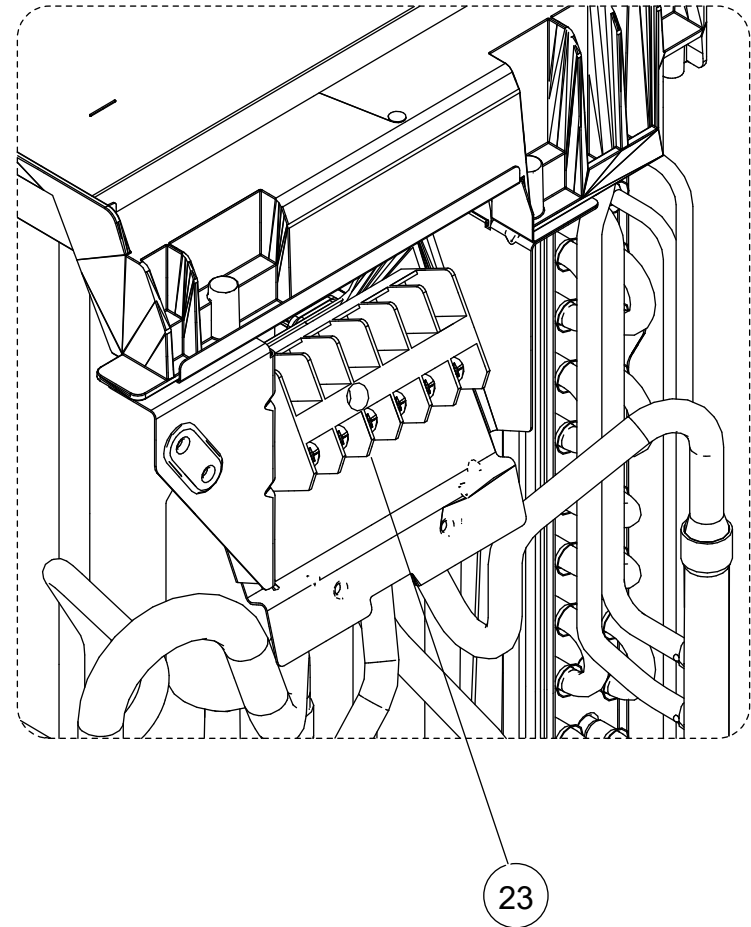
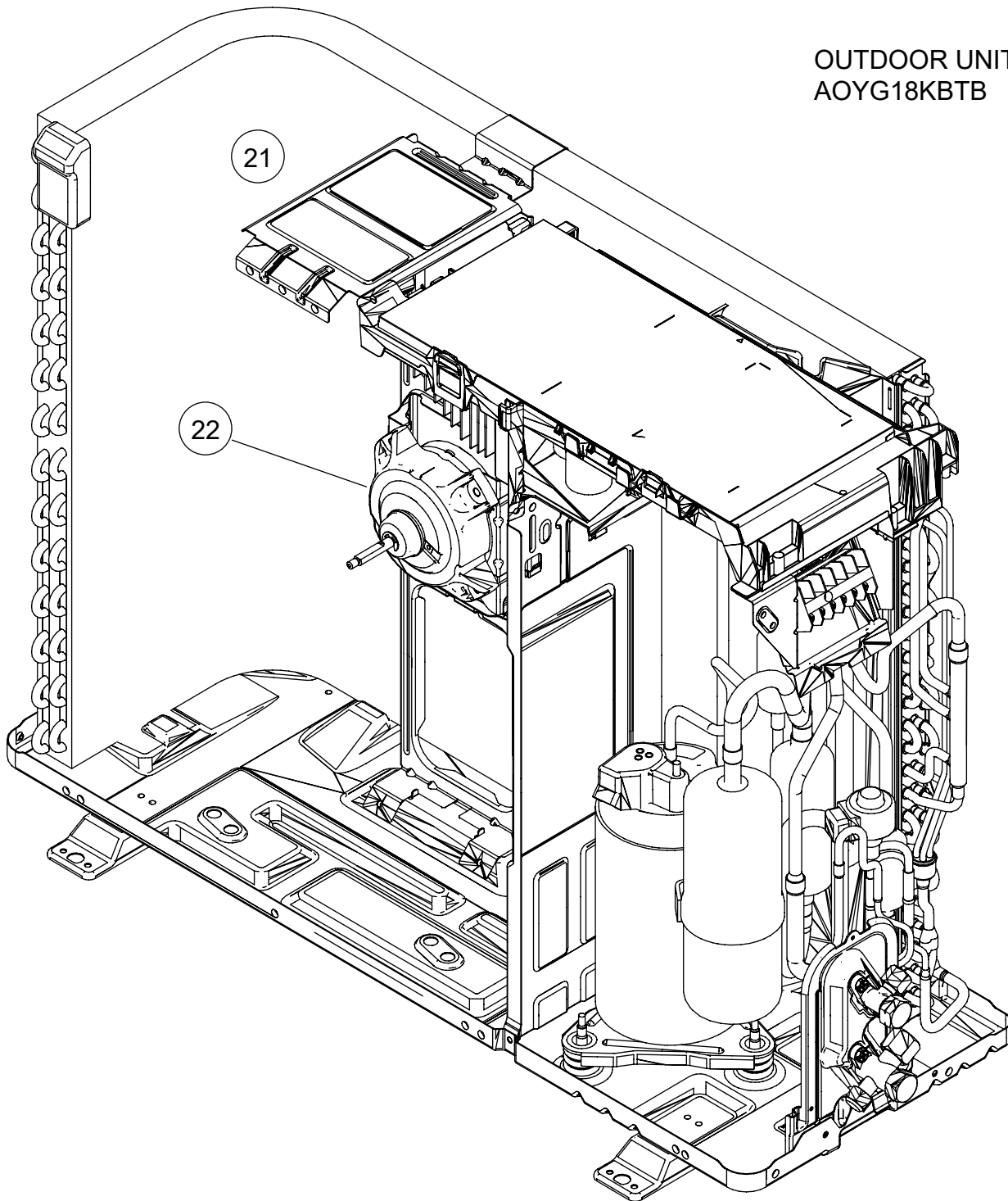
Ref.	Description	Part number
1	Protective net assy	9322811028
2	Outdoor thermistor	9900565060
3	Drain pipe	9322144003

OUTDOOR UNIT
AOYG18KBTB



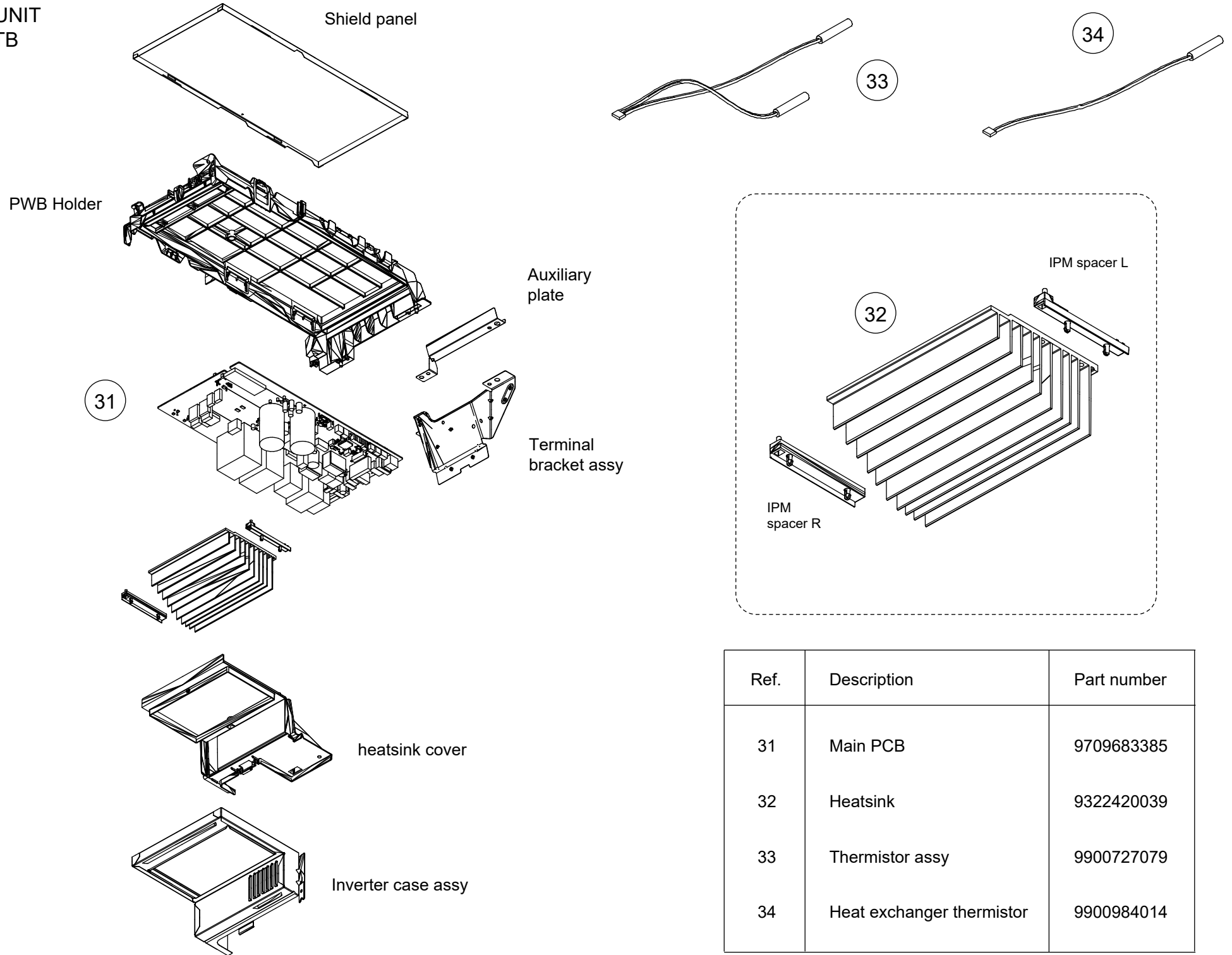
Ref.	Description	Part number
11	Top panel assy	9322556028
12	Front panel assy	9322555021
13	Blow grille	9322149008
14	Emblem	9319151007
15	Switch cover assy	9322570024
16	Cabinet right assy	9322552099
17	Propeller fan	9322150004

OUTDOOR UNIT
AOYG18KBTB



Ref.	Description	Part number
21	Motor bracket assy	9322553027
22	Brushless motor	9603601003
23	Terminal	9900435028

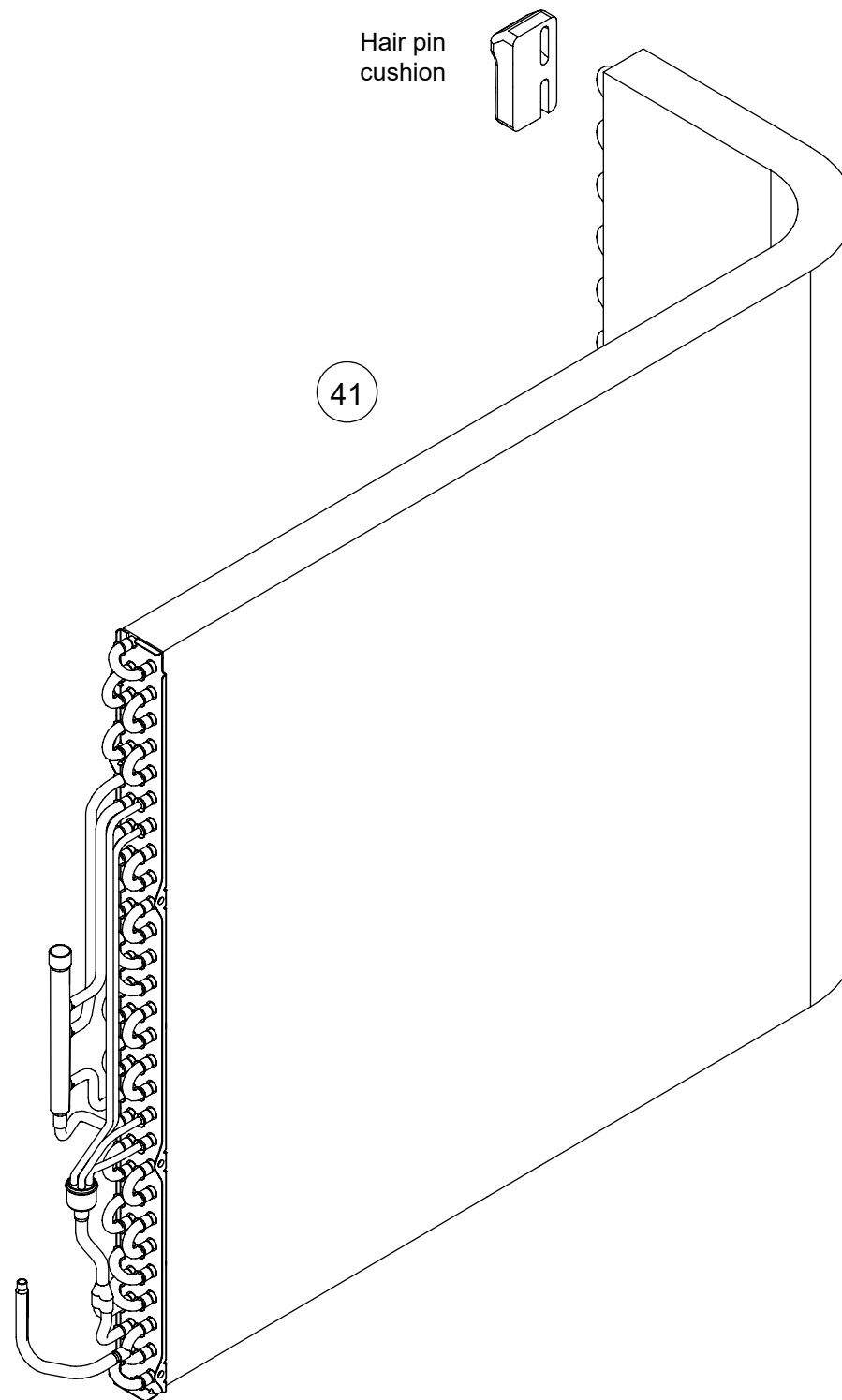
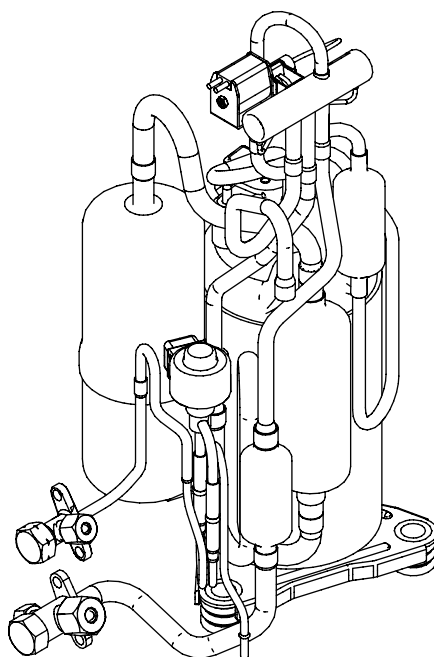
OUTDOOR UNIT
AOYG18KBTB



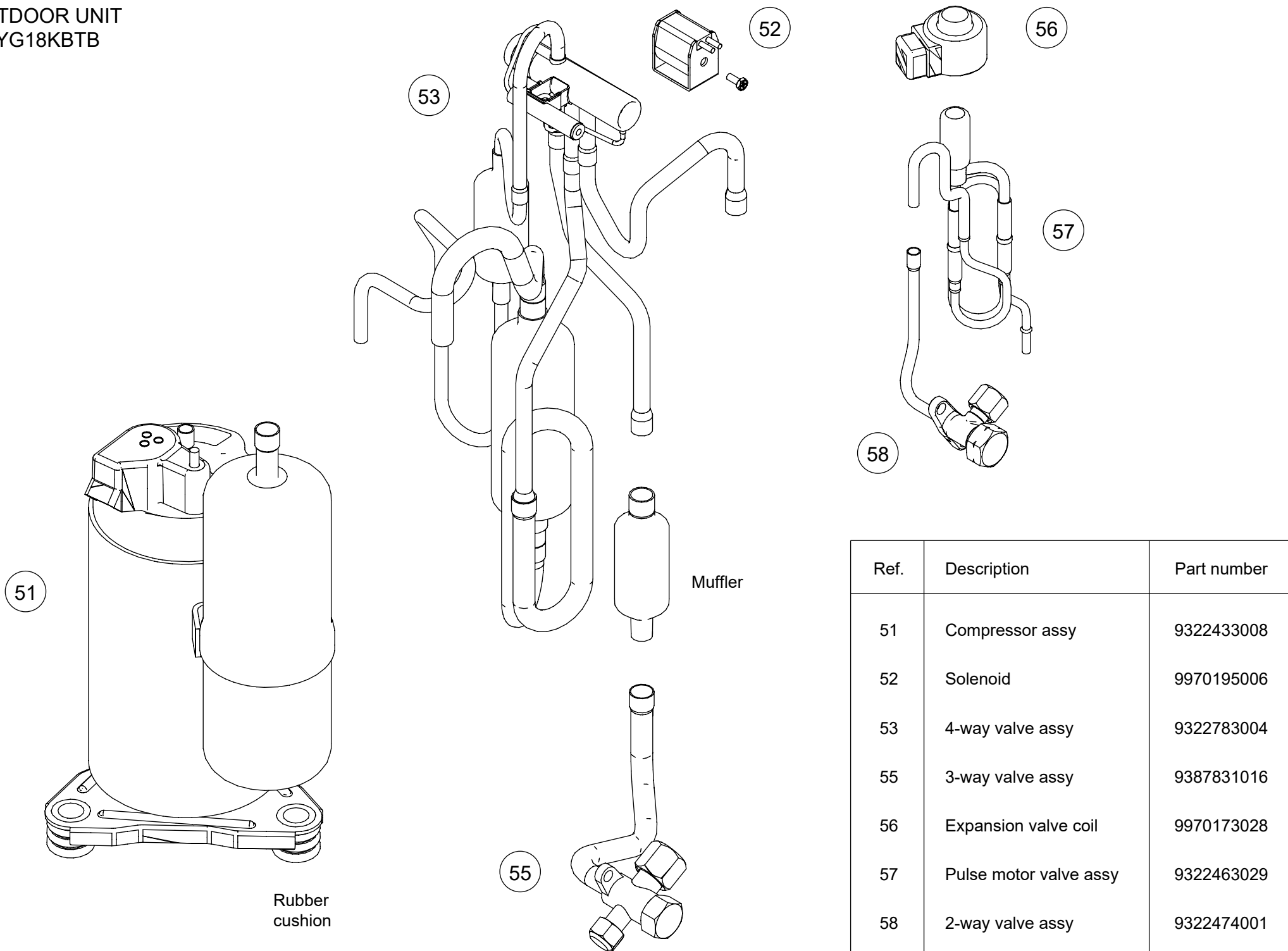
Ref.	Description	Part number
31	Main PCB	9709683385
32	Heatsink	9322420039
33	Thermistor assy	9900727079
34	Heat exchanger thermistor	9900984014

OUTDOOR UNIT
AOYG18KBTB

Ref.	Description	Part number
41	Condenser total assy	9317089616
-	S-insulator B	9322500007
-	S-insulator F	9322847003
-	S-insulator H	9322501004
-	S-insulator V	9323045002

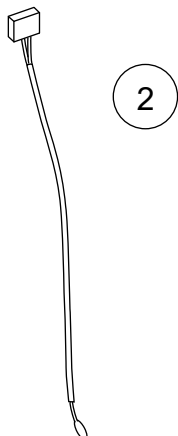
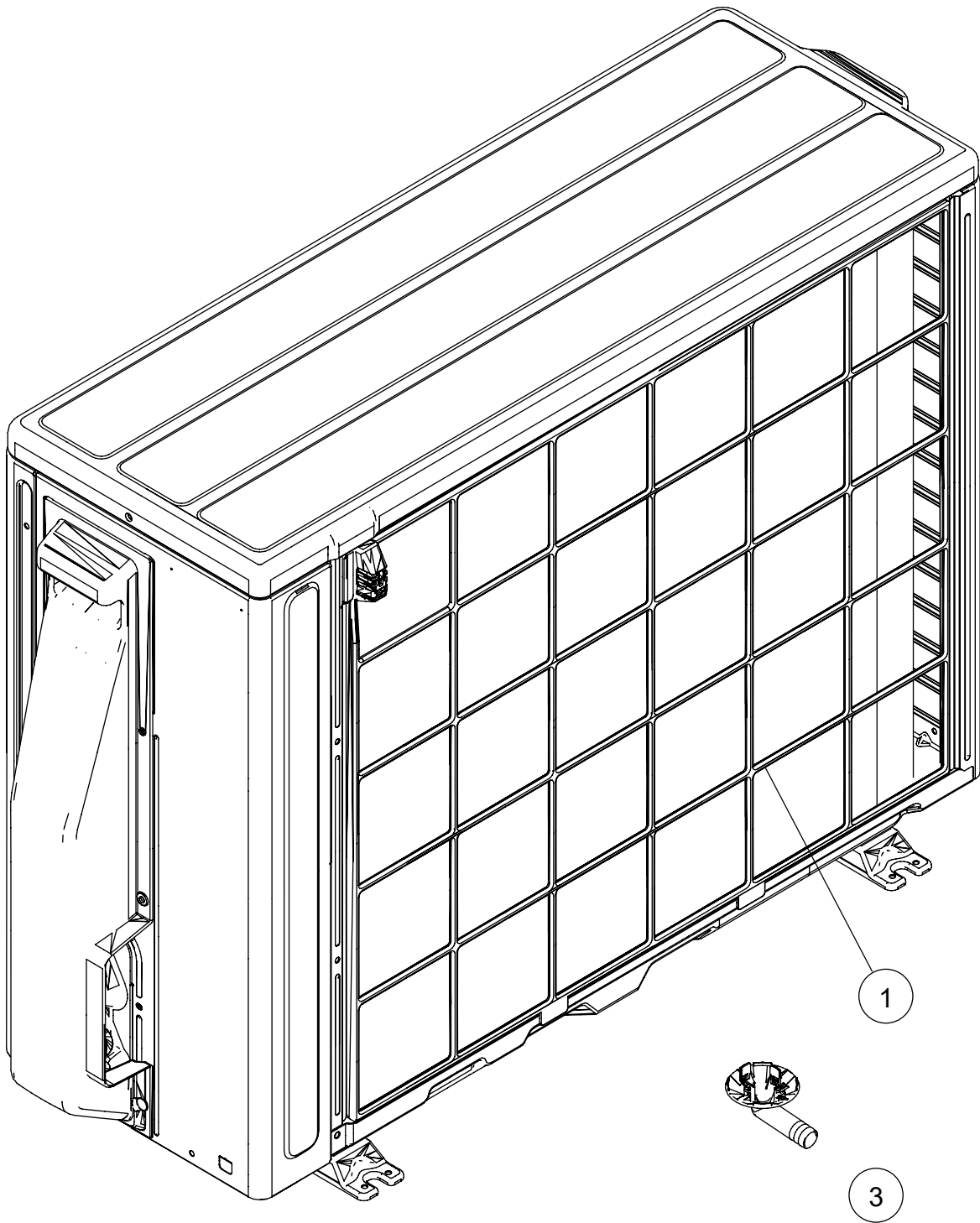


OUTDOOR UNIT
AOYG18KBTB



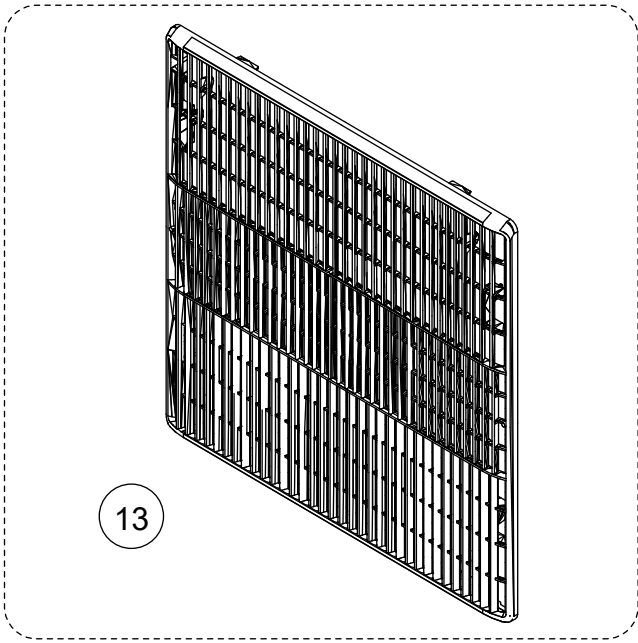
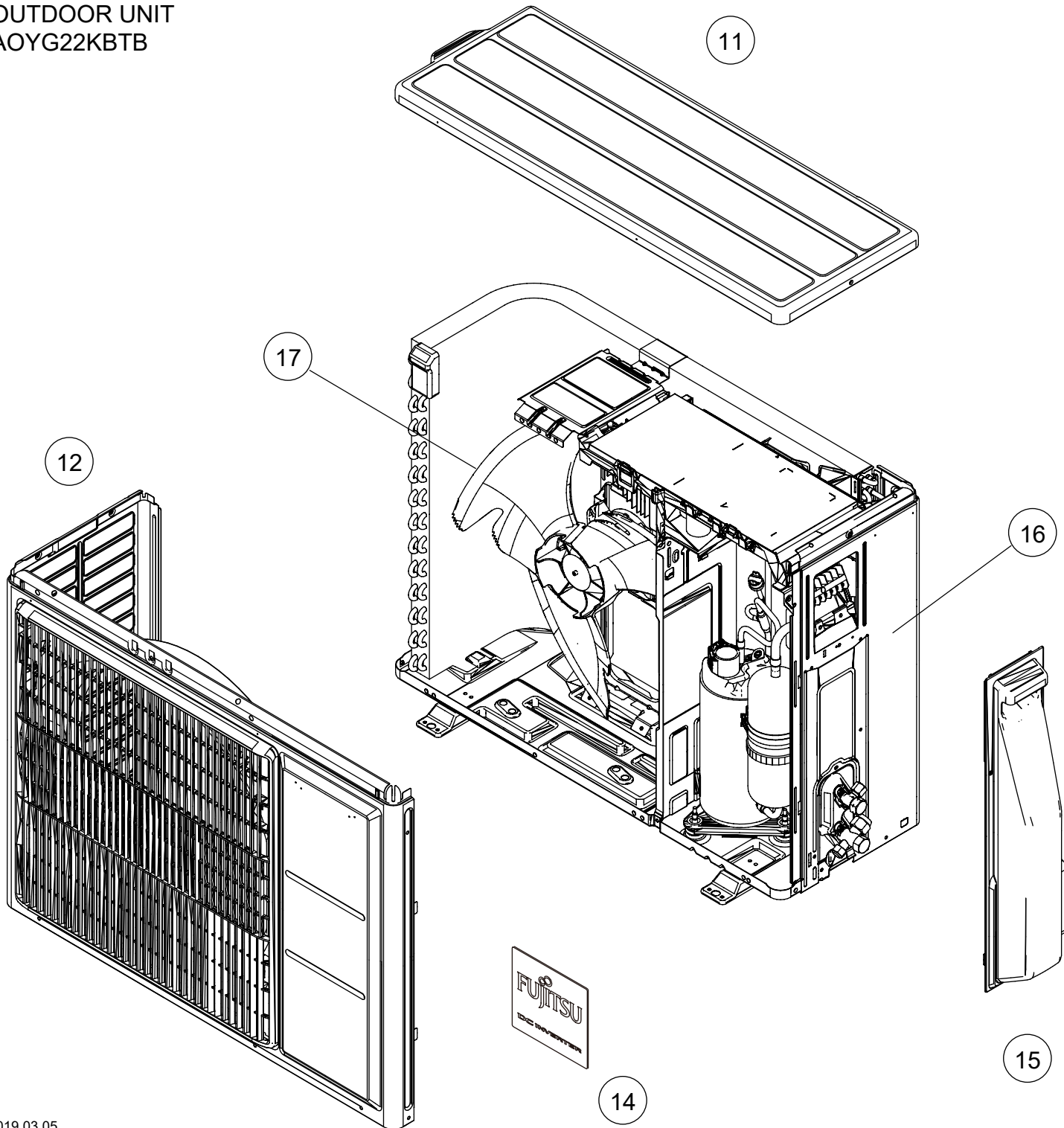
Ref.	Description	Part number
51	Compressor assy	9322433008
52	Solenoid	9970195006
53	4-way valve assy	9322783004
55	3-way valve assy	9387831016
56	Expansion valve coil	9970173028
57	Pulse motor valve assy	9322463029
58	2-way valve assy	9322474001

OUTDOOR UNIT
AOYG22KBTB



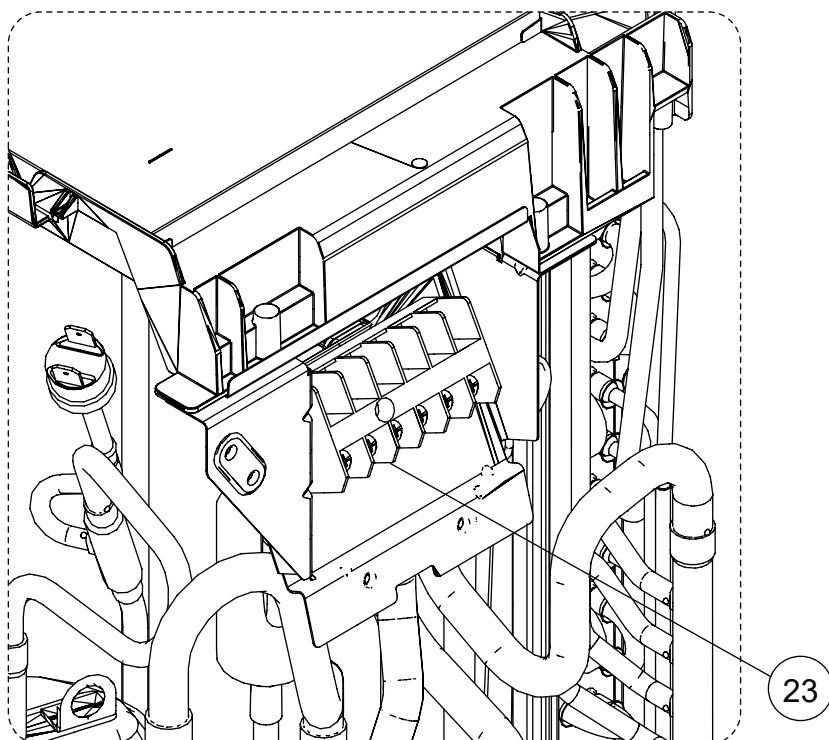
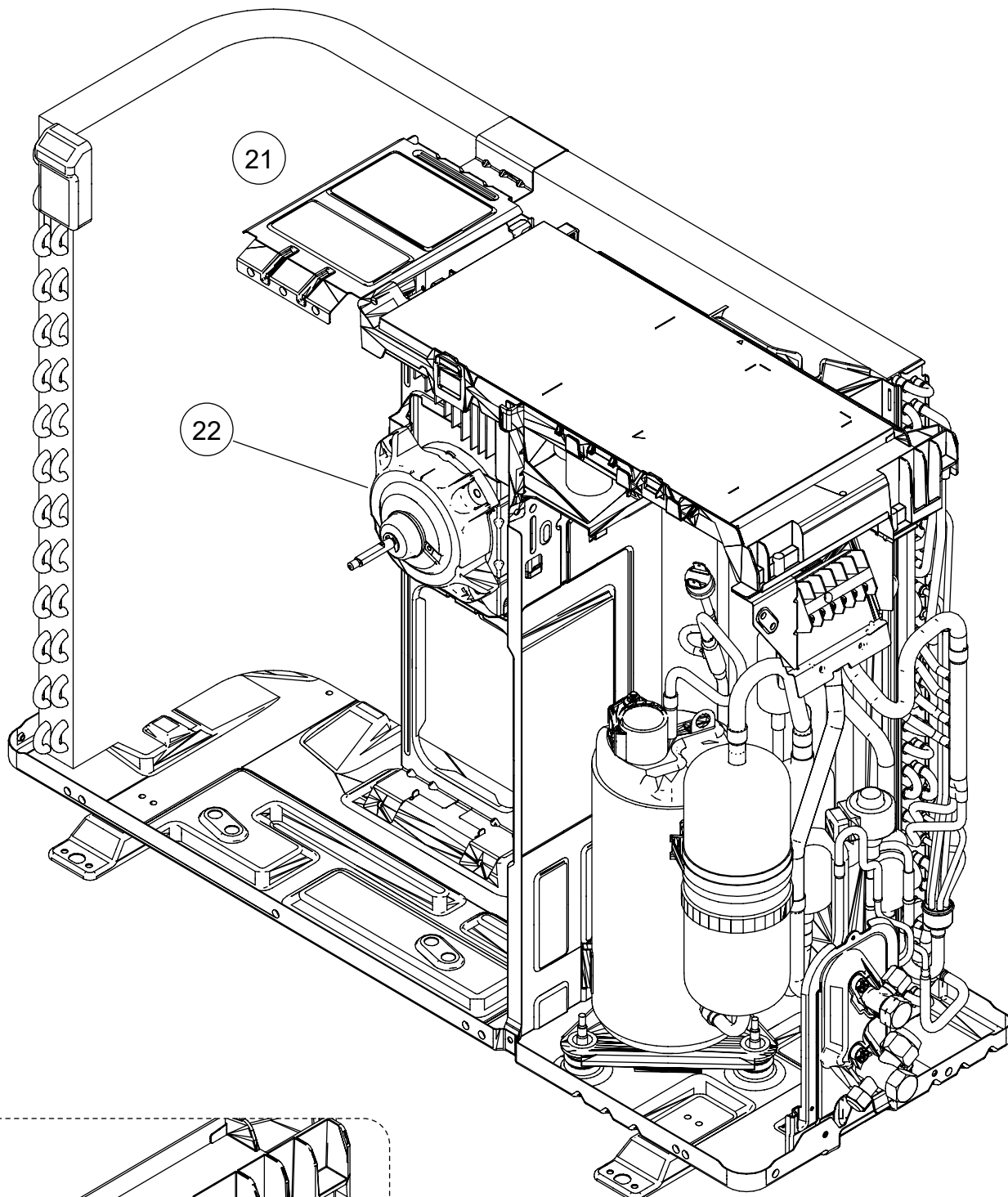
Ref.	Description	Part number
1	Protective net assy	9322811028
2	Outdoor thermistor	9900565060
3	Drain pipe	9322144003

OUTDOOR UNIT
AOYG22KBTB



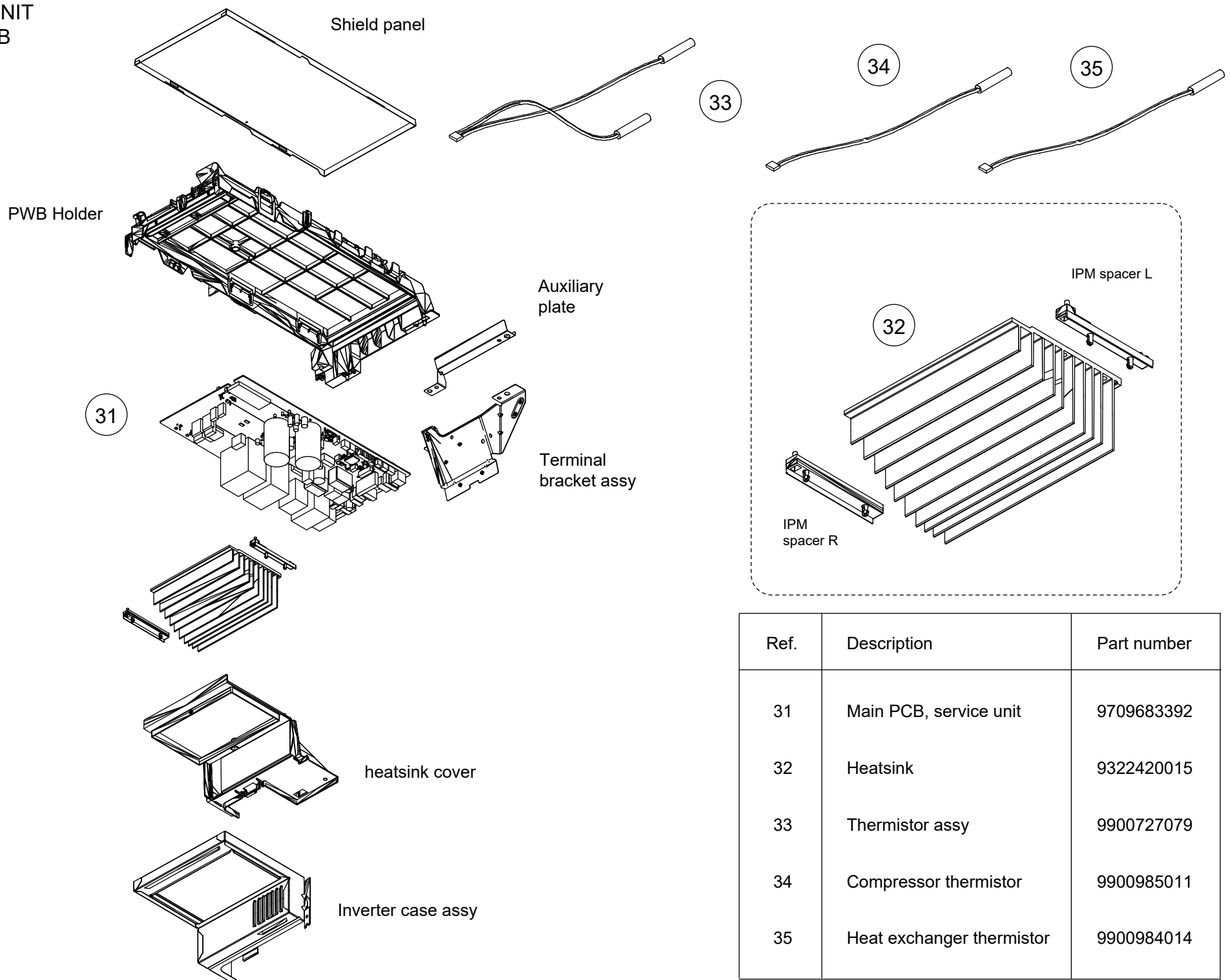
Ref.	Description	Part number
11	Top panel assy	9322556028
12	Front panel assy	9322555021
13	Blow grille	9322149008
14	Emblem	9319151007
15	Switch cover assy	9322570024
16	Cabinet right assy	9322552099
17	Propeller fan	9322150004

OUTDOOR UNIT
AOYG22KBTB



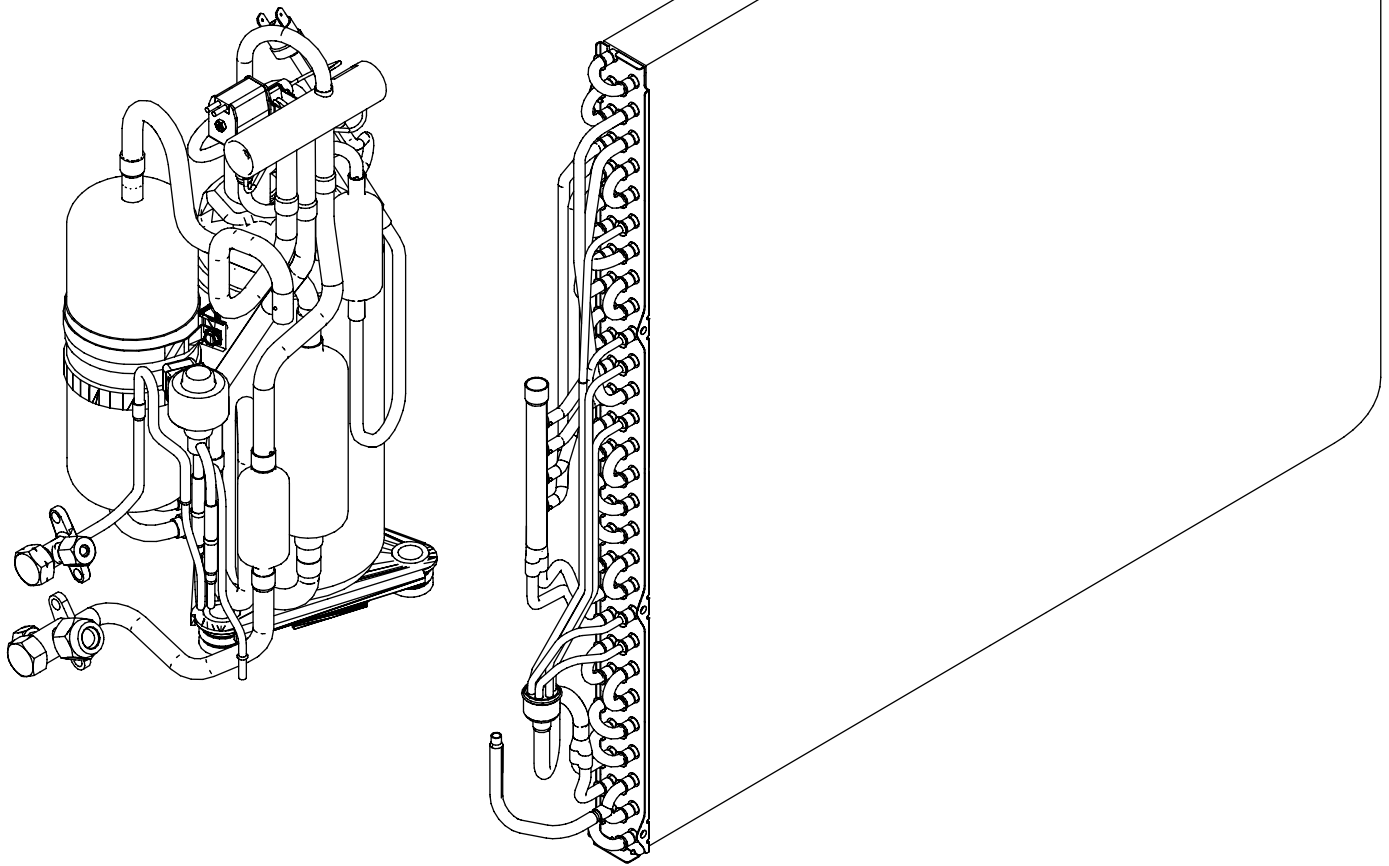
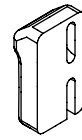
Ref.	Description	Part number
21	Motor bracket assy	9322553027
22	Brushless motor	9603601003
23	Terminal	9900435028

OUTDOOR UNIT
AOYG22KBTB



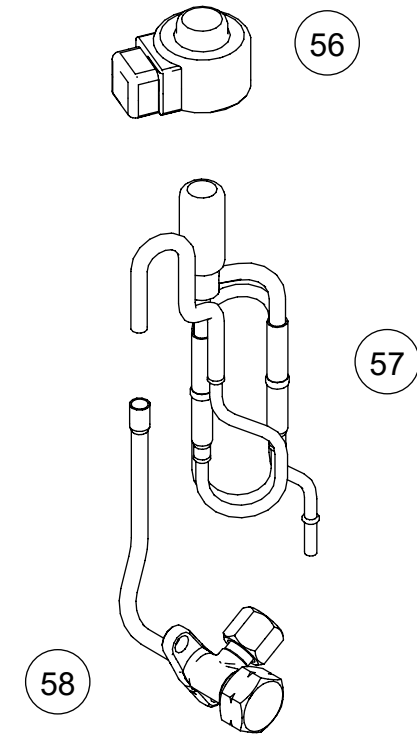
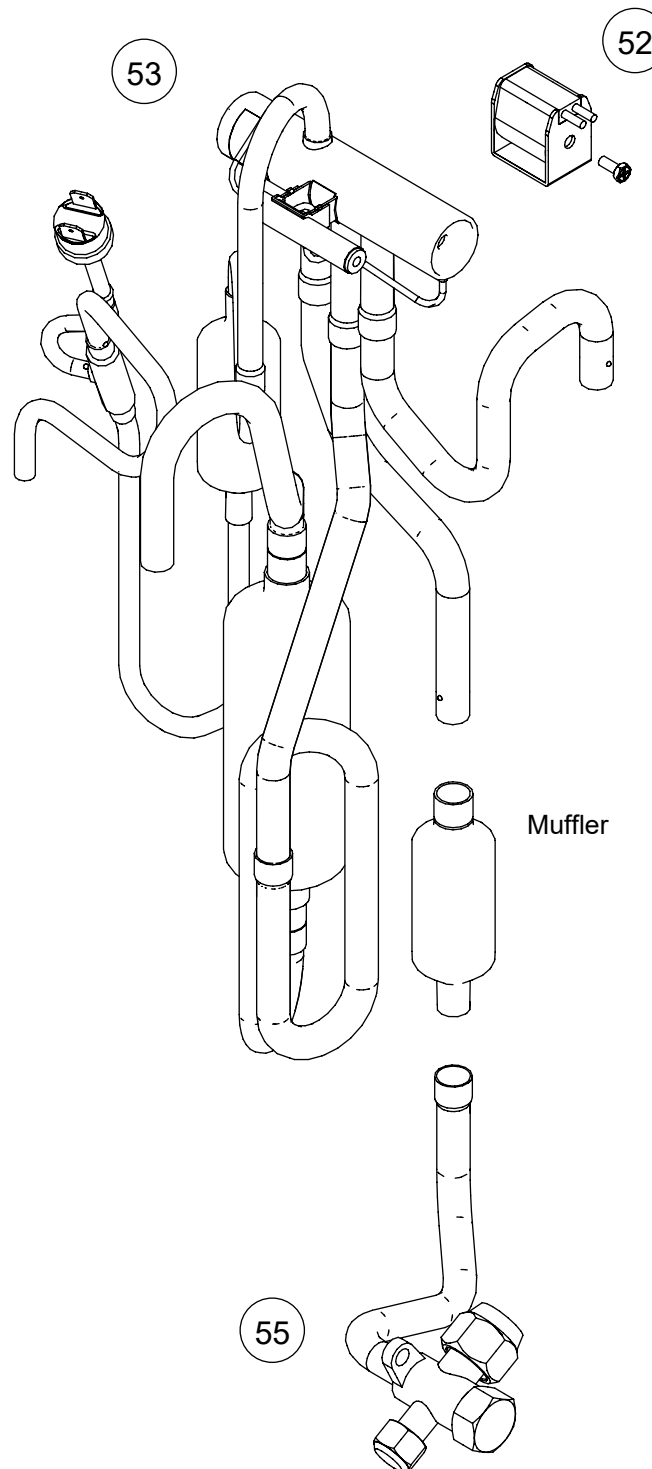
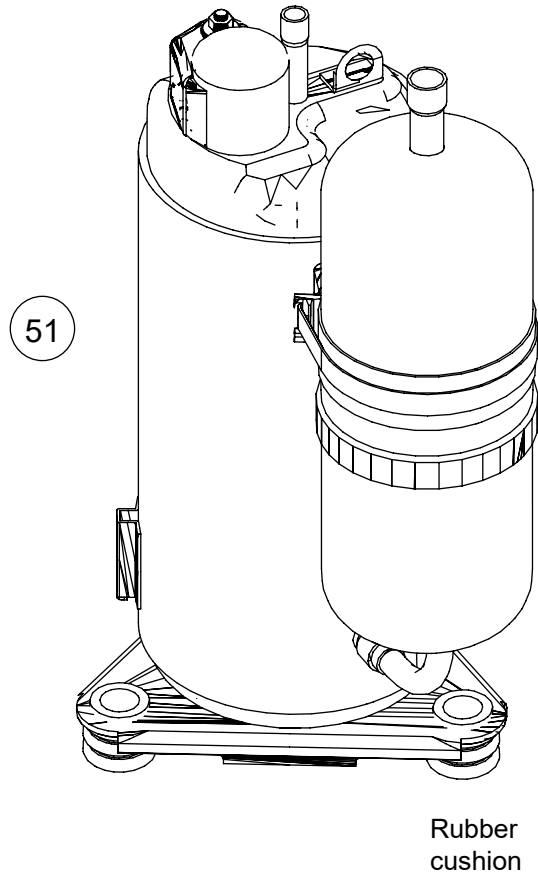
Ref.	Description	Part number
31	Main PCB, service unit	9709683392
32	Heatsink	9322420015
33	Thermistor assy	9900727079
34	Compressor thermistor	9900985011
35	Heat exchanger thermistor	9900984014

Hair pin
cushion



Ref.	Description	Part number
41	Condenser total assy	9317089654
-	S-insulator B	9322503008
-	S-insulator F	9322847003
-	S-insulator H	9322501004
-	S-insulator V	9323045002
-	S-insulator K	9322824004


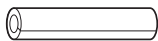
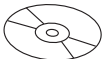






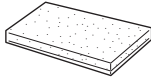

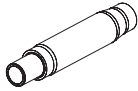
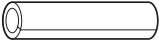

OUTDOOR UNIT
AOYG22KBTB





Ref.	Description	Part number
51	Compressor	9810521002
52	Solenoid	9970195006
53	4-way valve assy	9383129018
55	3-way valve assy	9387831016
56	Expansion valve coil	9970173028
57	Pulse motor valve assy	9322463029
58	2-way valve assy	9322474001

Accessories

Models: ARXG12KHTAP, ARXG14KHTAP, ARXG18KHTAP, and ARXG22KHTAP

Part name	Exterior	Q'ty	Part name	Exterior	Q'ty
Operating manual		1	Coupler heat insulation (small)		1
Operating manual (CD-ROM)		1	Cable tie (large)		4
Installation manual		1	Cable tie (medium)		1
Special nut A (large flange)		4	Cable tie (small)		1
Special nut B (small flange)		4	Drain hose insulation		1
Washer		8	Drain hose		1
Coupler heat insulation (large)		1	Hose band		1

**Models: AOYG12KBTB, AOYG14KBTB, AOYG18KBTB,
and AOYG22KBTB**

Part name	Exterior	Q'ty	Part name	Exterior	Q'ty
Installation manual		1	Drain pipe		1

1903G4808