

GB

Before performing any operation read carefully the IOM supplied with the unit .
 This component and these instructions are conceived exclusively for the utilisation in conjunction with a unit of the same manufacturer.
 These operations must be carried out exclusively by qualified technician and instructed on possible risks connected to the

operations.
 The electric operations must be carried out by qualified electricians at least according to IEC 60364 .
 During the operations follow the local safety regulations.
 Before starting, disconnect the unit power line.
 Check that the earth system is present and effective.

1 Positioning condensation collection basin

Wall-mounting

Floor fixing

Support frame (provided by the customer)

2 Fixing holes Ø 10.5

3 Condensate discharge via drainage

Condensate discharge connection \varnothing 1"

Min 900 mm

A

B

A = Frost line
 B = Layer of gravel or pebbles to help with condensate drainage

4 Fix the drain pan

Electric heater

Condensate discharge connection \varnothing 1"

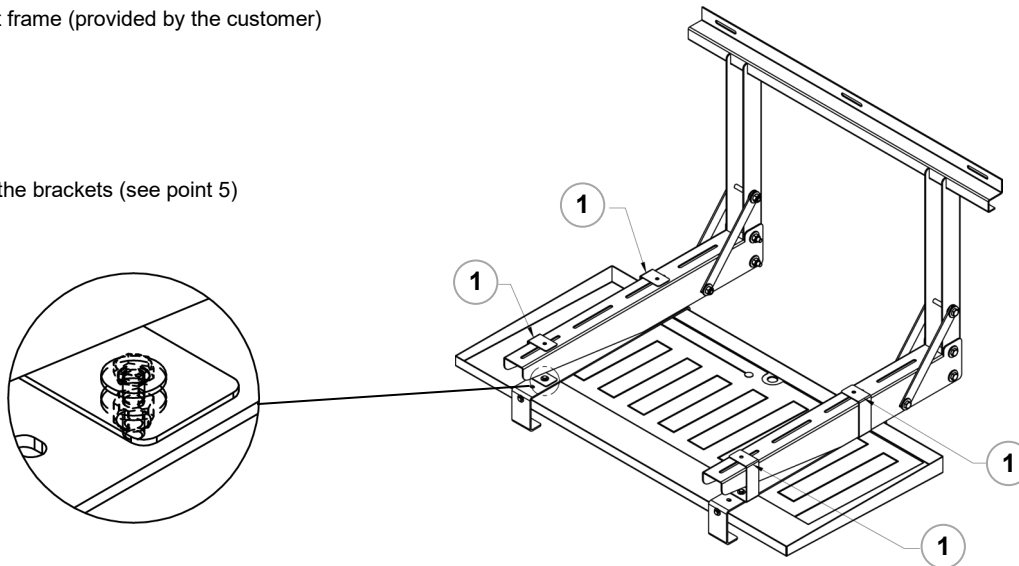
5 Unit fixing position

6 Install antivibration mounts (accessories supplied separately)

Position	1	2
Size	2.1 - 3.1	4.1 - 8.1

7 Support frame (provided by the customer)

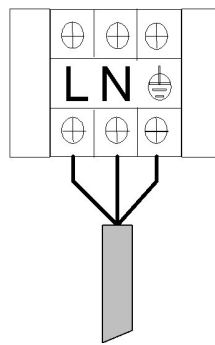
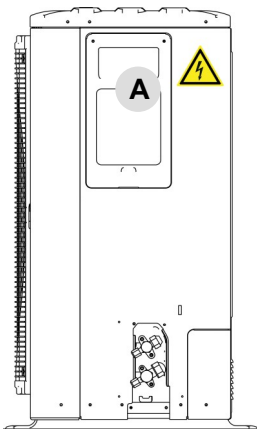
1 = position the brackets (see point 5)



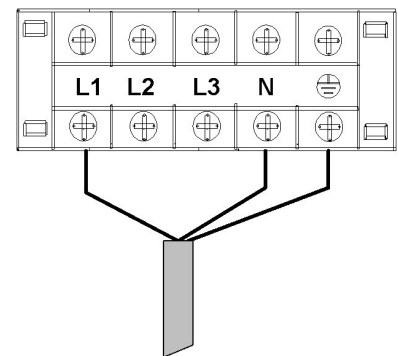
8 Electric heater connection

Remove the protective cover (A)

Connect the cable to the terminal block



Single-phase supply



Three-phase supply