

N.	Clivet Code	Midea Code	Description
1A	SSGL00001		Brazing Plate Heat Exchanger gr. 190L
1B	SSGL00002		Brazing Plate Heat Exchanger gr. 250L A
1C	SSGL00003		Brazing Plate Heat Exchanger gr. 250L B
2A	C40710151		Pump UPM3 K 15-75 130 PWM
2B	C40710152		Pump UPML 25-105 130 PWM
3	C60110018		Dirt separator with magnet
4	C7460175		Safety valve 1/2" NPT Ps: 3 bar
5	C73210024		3 way valve VMR 25 E SPST A2L C
6	C51410005		Flow switch VK325M0CLIVE04 9 L/MIN
7	C31710038		Expansion vessel 8L
8	*	11201007001785	Pipe temperature sensor-T2
9	*	11201007001982	Pipe temperature sensor-Tw_in
10	*	11201007001982	Pipe temperature sensor-Tw_out
11	*	11201007001982	Temperature sensor for domestic water-T5
12	C87310022		Electric Heater 1"1/2 IP65 2000W 230V
13	C63210029		Plastic Hinge 1056-U66

Tolerance dimensional/Tolerances for dimensions
Se non diversamente indicato/Unless otherwise indicated

- Particolari realizzati in lamiera
- Tubi in acciaio saldato
- Assemblati (strutture o batterie)
- Sono in conformità con:
- Sheet metal part
- Steel welded pipes
- Assembled parts (frames and coils)
- Are in accordance with:

UNI ISO 2768 - m

- Tubi in rame
- Assemblati di tubi in rame (singoli o con particolari commerciali) sono in conformità con:
- Copper pipes
- Assembly of copper pipes (singoli o with purchased components) are in accordance with:

UNI ISO 2768 - c

CLIVET S.p.A.

Clivet S.p.A. - Via Camp Lonc, 25 - Z.I. Villapaiera
32030 Feltre (BL) ITALIA
Tel. +39 0439 3131 - Fax +39 0439 313300
Sito Web: www.clivet.com - E-mail: info@clivet.it

Disegnato/Drawn by: **Massimiliano Nardone**
Approvato/Chkd-Appd: **Giorgio Cossalter**
DATA: 15-04-2021

Descrizione/Description:
**Esplosio Ricambi SQKN-YEE 1 TC A - B TOWER 190-250 L.
Spare Parts SQKN-YEE 1 TC A - B TOWER 190-250 L.**

Verniciatura-Rivestimento/Painting-Coating/Trattam. superf./Surface treatment

Unità tipo/Unit size/Model:
SQKN-YEE 1 TC

Materiale/Material

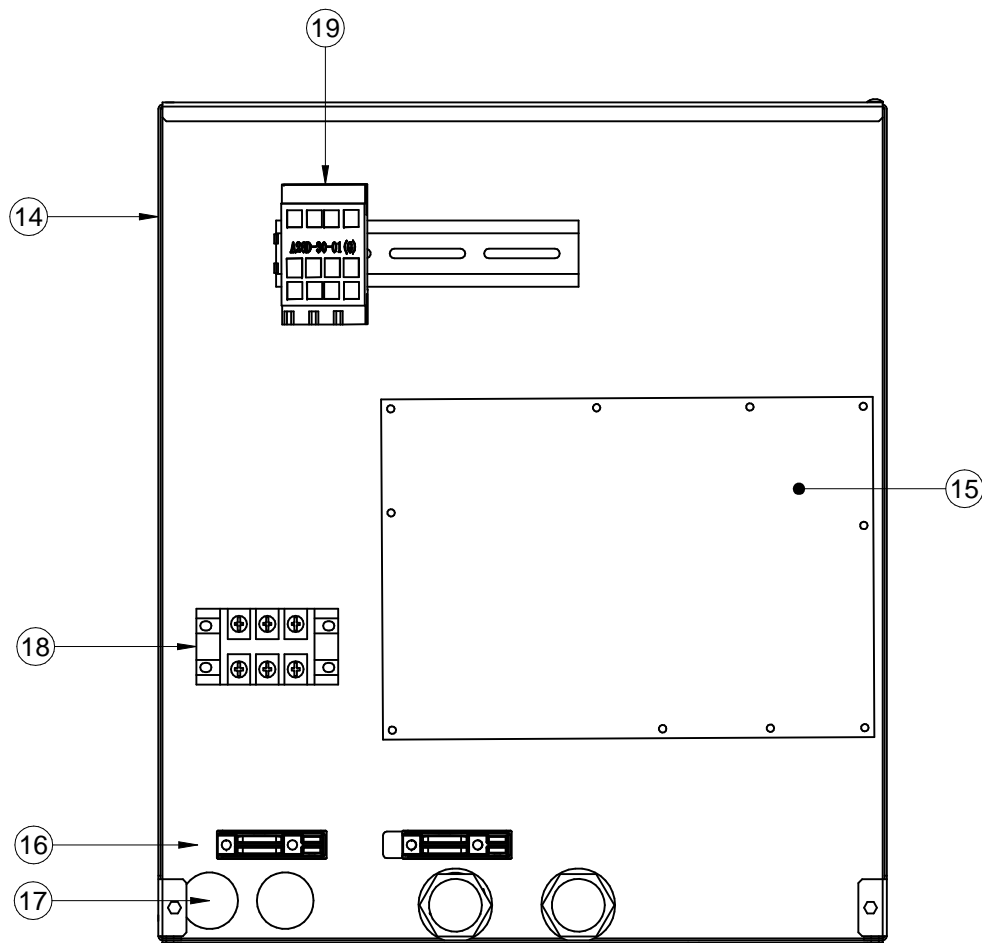
Spessore/Thickness Peso/Weight Codice/Code:

Press. progetto (PS) [bar] Scala/Scale
Design pressure (PS) [bar]
PS: def. rif. UNI EN 378-2:2009 o 97/23/CE

Disegno/Drawing N°: **PAAGL0001** Rev.: **00**

Tipo distributore/Distributor type Lungh capillari/Capillaries length [mm]

N°	Descrizione/Description	Data/Date	Firma/Name
	REVISIONI/REVISIONS		



N.	Clivet Code	Midea Code	Description
14	*	1721060000668	E-part box assembly
15	*	1711060000690	Hydraulic module, Main control board
16	*	12100303000126	Tension clip
17	*	12100901000003	Wiring rubber ring
18	*	17400401000073	Wire joint
19	*	11203502000493	AC contactor

Tolleranze dimensionali/Tolerances for dimensions
Se non diversamente indicato/Unless otherwise indicated

- Particolari realizzati in lamiera
- Tubi in acciaio saldato
- Assemblati (strutture o batterie)
- Sono in conformità con:
- Sheet metal parts
- Steel welded pipes
- Assembled parts (frames and coils)
- Are in accordance with:

UNI ISO 2768 - m

- Tubi in rame
- Assemblati di tubi in rame (singoli o con particolari commerciali)
- Sono in conformità con:
- Copper pipes
- Assembly of copper pipes (singoli o with purchased components)
- Are in accordance with:

UNI ISO 2768 - c

CLIVET S.p.A.

Clivet S.p.A. - Via Camp Lonc, 25 - Z.I. Villapaiera
32030 Feltre (BL) ITALIA
Tel. +39 0439 3131 - Fax +39 0439 313300
Sito Web: www.clivet.com - E-mail: info@clivet.it

Disegnato/Drawn by:
Massimiliano Nardone

Approvato/Chkd-Appd:
Giorgio Cossalter

DATA: 15-04-2021

DATA: 15-04-2021

Descrizione/Description:

Esplosio Ricambi SQKN-YEE 1 TC A - B TOWER 190-250 L.
Spare Parts SQKN-YEE 1 TC A - B TOWER 190-250 L.

Verniciatura-Rivestimento/Painting-Coating/Trattam. superf./Surface treatment

Unità tipo/Unit size/Model:

SQKN-YEE 1 TC

Materiale/Material

Press. progetto (PS) [bar]
Design pressure (PS) [bar]
PS: def. rif. UNI EN 378-2:2009 o 97/23/CE

Scala/Scale

Spessore/Thickness Peso/Weight Codice/Code:

Tipo distributore/Distributor type

Lungh capillari/Capillarys lenght [mm]

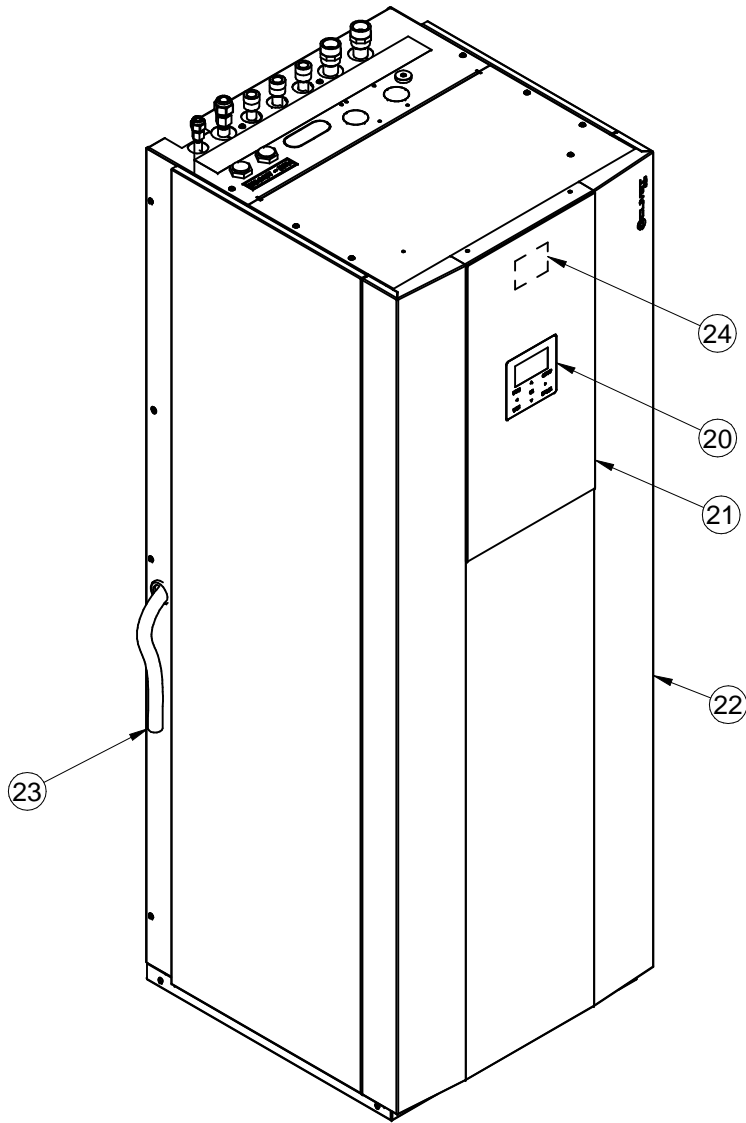
Disegno/Drawing N°:

Rev.:

PAAGL0001

00

N°	Descrizione/Description	Data/Date	Firma/Name
REVISIONI/REVISIONS			



N.	Clivet Code	Midea Code	Description
20A	C95710192	*	Wired controller BLACK
20B	C95710159	*	Wired controller WHITE OEM
21	C63910170	*	Acrylic panel
22A	CSHL00004	*	Front Panel gr. 190L
22B	CSHL00009	*	Front Panel gr. 250L
22C	CSHL00001	*	Front Panel gr. 190L OEM
22D	CSHL00011	*	Front Panel gr. 250L OEM
23	C6380175	*	Drain Pipe
24	C95710161	17210600000	Midea LED

<p>Tolleranze dimensionali/Tolerances for dimensions Se non diversamente indicato/Unless otherwise indicated</p> <p>- Particolari realizzati in lamiera - Tubi in acciaio saldato - Assemblati (strutture o batterie) Sono in conformità con: -Sheet metal part -Steel welded pipes -Assembled parts (frames and coils) Are in accordance with: UNI ISO 2768 - m</p>		<p>Tubi in rame -Assemblati di tubi in rame (singoli o con particolari commerciali) sono in conformità con: -Copper pipes -Assembly of copper pipes (singoli o with purchased components) are in accordance with: UNI ISO 2768 - c</p>		<p>Descrizione/Description: Esploso Ricambi SQKN-YEE 1 TC A - B TOWER 190-250 L. Spare Parts SQKN-YEE 1 TC A - B TOWER 190-250 L.</p>	
<p>Verniciatura-Rivestimento/Painting-Coating/Trattam. superf./Surface treatment</p>		<p>Unità tipo/Unit size/Model: SQKN-YEE 1 TC</p>		<p>Press. progetto (PS) [bar] Design pressure (PS) [bar] PS: def. rif. UNI EN 378-2:2009 o 97/23/CE</p>	
<p>Materiale/Material</p>		<p>Spessore/Thickness Peso/Weight Codice/Code:</p>		<p>Scala/Scale</p>	
<p>Disegnato/Drawn by: Massimiliano Nardone</p>		<p>Approvato/Chkd-Appd: Giorgio Cossalter</p>		<p>Disegno/Drawing N°: PAAGL0001</p>	
<p>DATA:15-04-2021</p>		<p>DATA: 15-04-2021</p>		<p>Rev.: 00</p>	

N°	Descrizione/Description	Data/Date	Firma/Name
REVISIONI/REVISIONS			