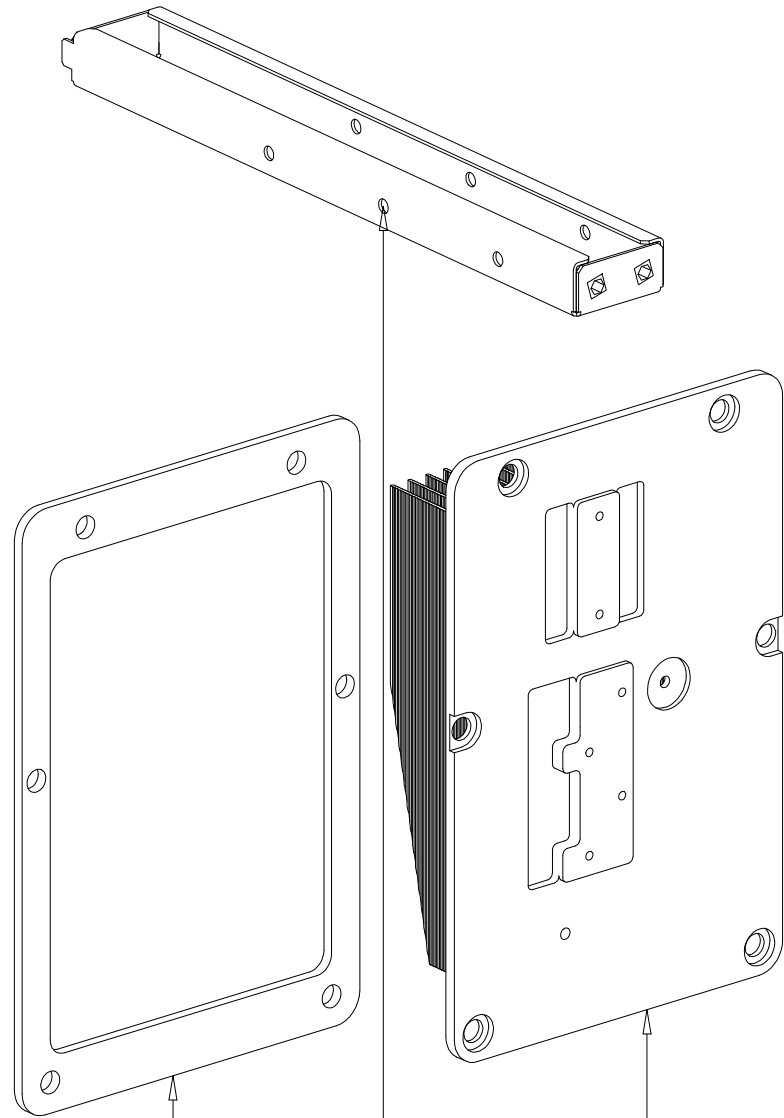


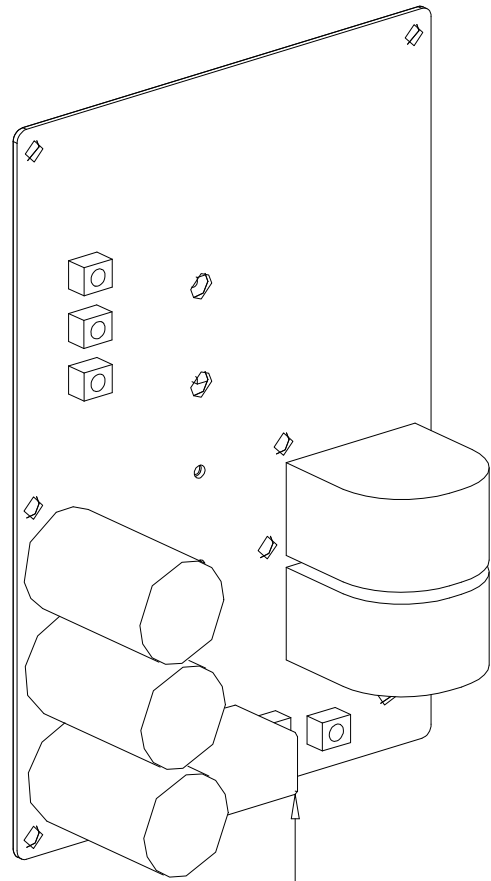
17.1



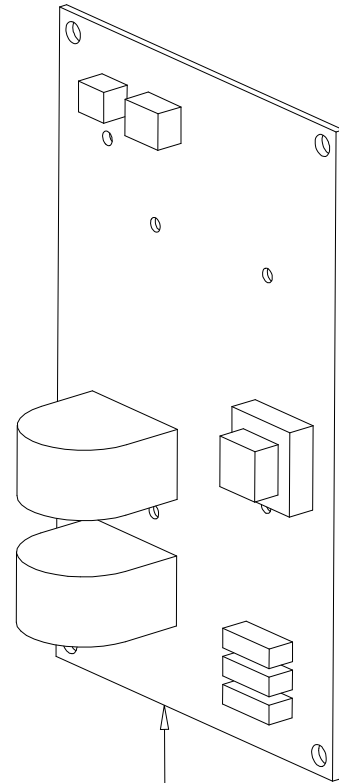
17.2

17.3

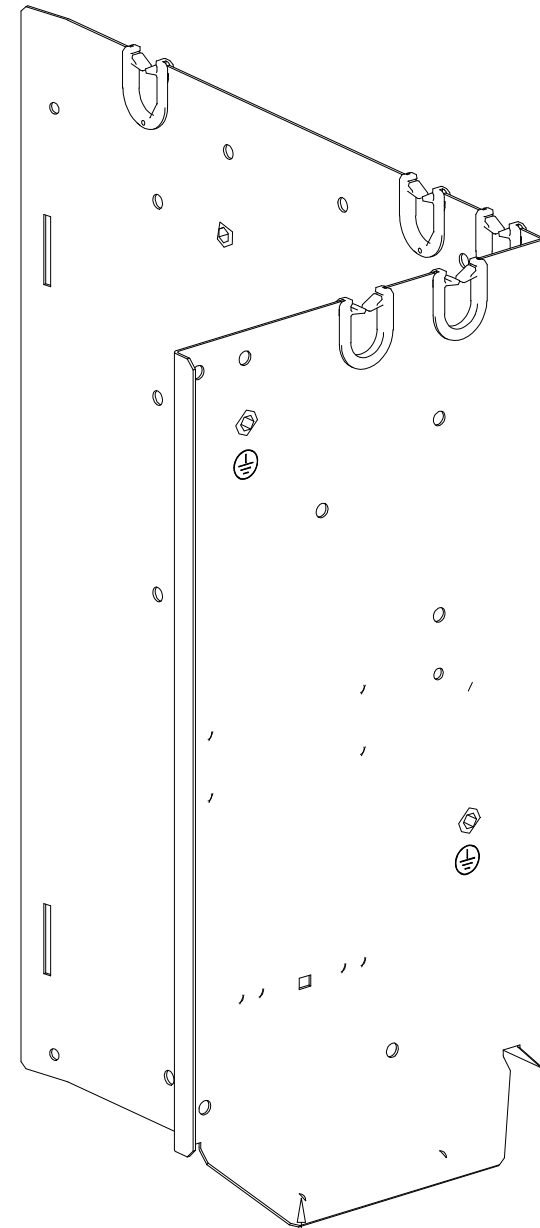
17.4



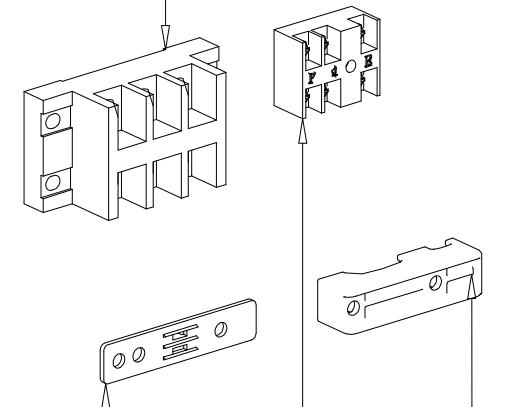
17.5



17.7



7.8

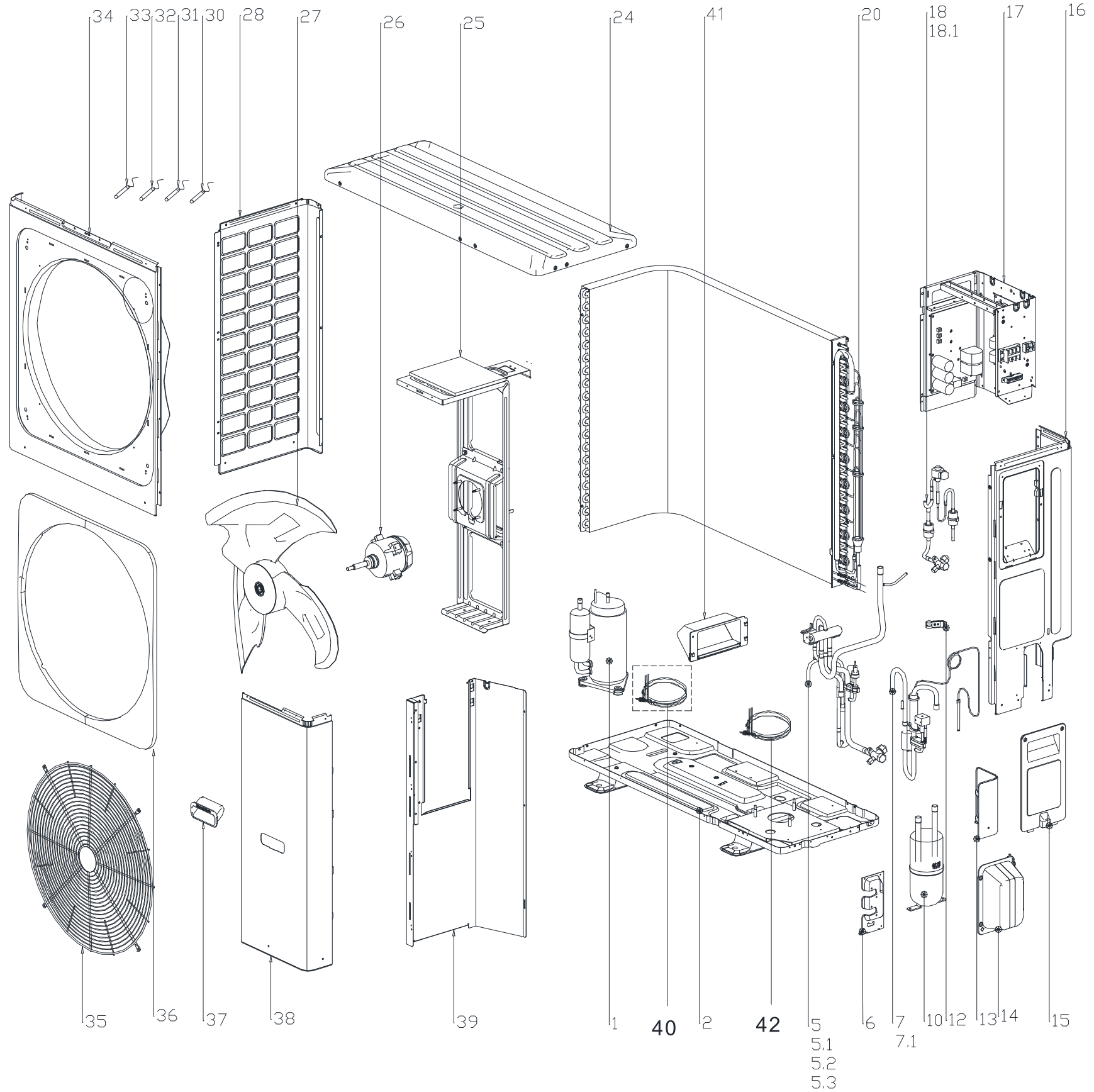


17.13

17.14

17.15

17.16



Exploded View

产品编码(Product model) : 22025314000616
 客户编码(Customer No) : E0217801
 客户型号(Customer model) : MiSAN-YEE 1 S 4.1
 订单编码(Order Product Code) : 62253-H5010402

EX_ID	Spare Parts Code	Part Name(CN)	Part Name(EN)	Qty.	Remark2	Part Status	Drawing No	MIN_ORDE_QTY	Long Term Material(Y or N)	High Rate of Replacement(Y or N)	SB Type	Replace Type	Remarks
1	11103020005012	变频旋转式压缩机	DC Inverter Rotary Compressor	1		In Use	SVB220FLGMC-L		N	Y			
2	12227000016436	底盘部件	Chassis part	1		In Use	CE-LRSJ-V100/N8-5R0(A).1						
5	15427000005246	四通阀组件	Four-way valve assembly	1		In Use	CE-LRSJF-V80/N8-5R0.ZL.2A						
5.1	15500216000103	四通阀套件	4-way valve suite	1		In Use	STF-02BN1-L800-VHR		N	Y			
5.2	11201008000033	压力传感器	Pressure sensor	1		In Use	CGO-YL-NSK-BH046D-U644		N	Y			
5.3	17400516000808	压力控制器	Pressure switch	1		In Use	YK-4.3/3.2-C-1200			N			
6	12223000A06194	阀安装板	Valve plate	1		In Use	CE-LRSJF-V40/N8-C01-1						
7	15427000005245	回气管组件	D unit suction pipe assembly	1		In Use	CE-LRSJF-V80/N8-5R0.ZL.3A						
7.1	17400516000008	压力控制器(有嗽口)	Pressure switch	1		In Use	YK-0.3/0.14	0	N	N			
10	15500501001809	气液分离器	Gas-liquid separator	1		In Use	QYFLQ-16"1.6"100"V1.6			Y			
12	12200202000023	配管固定夹(SB3053)	Pipe fixing clamp	1		In Use	PGGDJ-16"8"39"20	1	N	N			
13	12227000012825	侧板	Clapboard	1		In Use	MDVH-V120W/N1-5R0(E)1-8						
14	12122000A83263	接水盖	Water collector	1		In Use	CE-LRSJF-V40/N8-C01-2						
15	12227000012807	大把手组件	Big handle assembly	1		In Use	MDVH-V120W/N1-5R0(E)1.6						
16	122270000A07799	右侧板组件	Rear-Right Side Plate Assembly	1		In Use	MDVH-V100W/N1-5R0(E)1.7D						
17	17223000008763	室外电控盒组件	E-part box assembly	1		In Use	CE-LRSJF-V80/N8-5R0(R5F52306A).D.1A						
17.1	12227000015799	散热器安装板组件	Radiator support plate	1		In Use	CE-LRSJF-V40/N8-C01.D.1.1C						
17.2	12627000000646	密封胶垫	Seal gasket	1		In Use	CE-LRSJF-V80/N8-5R0.D.1-1						
17.3	12927000001412	非标散热器	Optional heat exchanger	1		In Use	SRQ214"140"50-ALQ852g-O	1					
17.4	12227100007239	连接板组件	Connecting plate assembly	1		In Use	CE-LRSJF-V80/N8-5R0.D.1A.2						
17.5	17125300003905	模块板组件	Module board assembly	1		In Use	CE-LRSJF-V80/N8-5R0.D.1.2			Y			
17.7	17125300004203	室外主控板组件	Outdoor main control board assembly	1		In Use	CE-LRSJF-V80/N8-5R0(R5F52306A).D.1.1[PJ]			Y			
17.8	12227000015800	电器安装板组件	Electrical appliance mounting plate assembly	1		In Use	CE-LRSJF-V80/N8-5R0.D.1A.3						
17.13	12122000006931	接线底板(白色)	Insulation plate	1		In Use	KFC-25W.7-5A	1	N	N			
17.14	17400401000183	三位接线座(POE,彩色标贴)	Wire joint	1		In Use	JXZ-PD3Z-C	1	N	N			
17.15	12100303001082	压线卡	Wire clip	1		In Use	YXK-11						
17.16	17400401000073	接线座	Wire joint	1		In Use	JXZ-AG3ZG1-A(RS9102/JX-O-3)	1	N	N			
18	15427000004449	膨胀阀组件	Expansion valve assembly	1		In Use	CE-LRSJF-V80/N8-5R0.ZL.4	1					
18.1	15500213001527	电子膨胀阀套件	Electronic expansion valve suite	1		In Use	EEV20h500P-1000XHP5(R)			Y			
20	15827000001670	冷凝器部件	B unit condenser assembly	1		In Use	CE-LRSJF-V80/N8-5R0.ZL.1			N			
23	12127000001300	防雨盖	Rainproof cover	1		In Use	MDV-280W/DSN1-8R0.D.1-12A						
24	12227000A07607	顶盖组件	Top cover assembly	1		In Use	MDVH-V120W/N1-5R0(E)1.4A						
25	12227000012340	电机支架部件	Motor bracket l assembly	1		In Use	CE-LRSJF-V80/N8-5R0.12	1					
26	11002015006321	无刷直流电机	Brushless DC Motor	1		In Use	ZKSP-170-8-9	0	N	Y			
27	12100105000641	轴流风叶	Axial fan	1		In Use	ZL-580"190"15-3	1	N	Y			
28	12227000012821	侧板	Clapboard	1		In Use	MDVH-V120W/N1-5R0(E)1-2						
30	11201007000039	室温传感器	Room Temperature Sensor	1	T4 : OUTDOOR AMBIENT TEMPERATURE SENSOR	In Use	CGO-WD/SW4100-L850-SMP2-P650(HT1.0)	0	N	Y			
31	112010070002463	排气温度传感器	Discharge Temperature Sensor	1	Tp : COMP DISCHARGE TEMPERATURE	In Use	CGO-WD/PQ3950-L1000-XAP2-G800(WK30)	1	N	Y			
32	112010070000382	管温传感器	Pipe Temperature Sensor	1	Th : EVAPORATOR INPUT TEMPERATURE	In Use	CGO-WD/GW4100-L1300-SMP3B-P1200	0	N	Y			

33	11201007000164	管温传感器	Pipe Temperature Sensor	1	T3:CON DENSO R TEMPE RATUR E SENSO R	In Use	CGQ-WD/GW4100-L1000-XAP2-P900	1	N	Y			
34	12227000014930	前面板	Right front panel	1		In Use	MDVH-V120W/N1-5R0(E1)-3C						
35	12127000A00081	出风网罩	Wind nets	1		In Use	CMAN-X16RL-1						
38	12227000016438	右前侧板组件	Front Right Side Plate Assembly	1		In Use	MDVH-V120W/N1-5R0(E1).5G						
39	12227000015810	隔板组件	Partition board assembly	1		In Use	CE-LRSJF-V80/N8-5R0.10A						
42	17402001000339	压缩机电加热带	Compressor electric heater	2		In Use	DJRD-358A-800-20W-VHR	1					