

Modbus Convertor for Indoor Unit

* Supports the indoor units of Single type and Multi type



UTY-VMSX



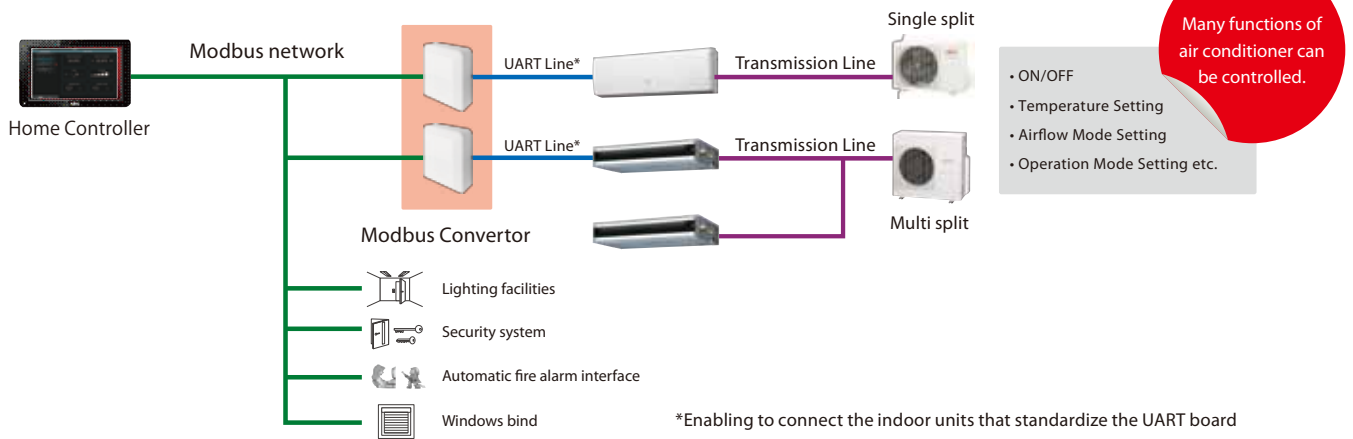
Modbus convertor

Air conditioners can be integrated into the central control by home network.

Feature

Air conditioners can be connected to home network system !

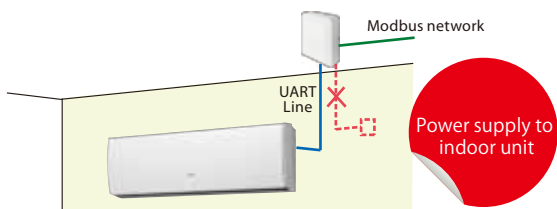
Air conditioner can be controlled by the Home controller that performs the simultaneous control for the lighting or security system supported by home Modbus communication method.



Feature

Easy Installation

Flexible installation locations with neat wirings are feasible since no power supply cable is used in the converter.



Feature

Display of the air con's detailed operation status

The operation status not only indicates ON/OFF and temperature setting, it also display the detail of operation modes (defrost or economy etc.) on the home controller screen at a glance.



Feature

Feature

Functions for operations and monitoring

The following functions can be done with Modbus Converter .

Model name	UTY-VMSX
Control unit	Central management device
ON/OFF Status	✓
Operation Mode Setting Status	✓
Temperature Setting Status	✓
Airflow Mode Setting Status	✓
Energy Save Mode Setting Status	✓
Room Temperature Status	✓
Error Status	✓*

*: For the other functions, refer to the attached manual.

Connectable Indoor unit

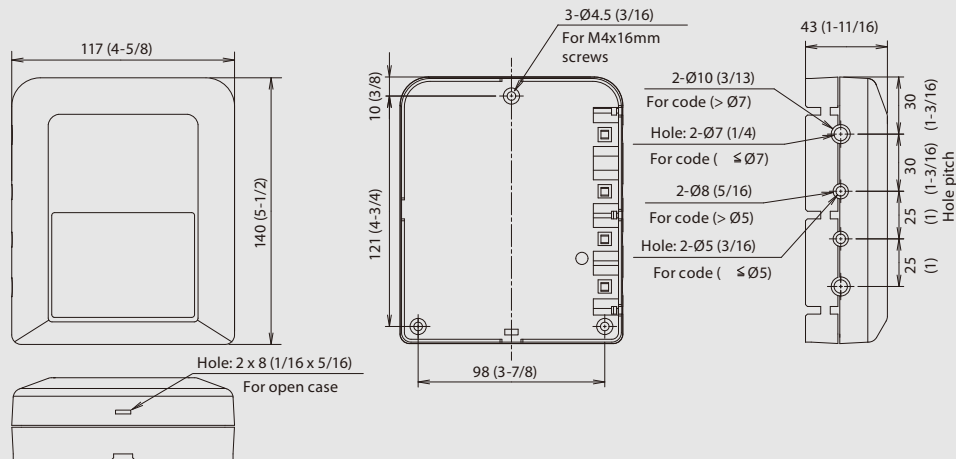
(for Europe Market)

Unit Type	Model name
Wall Mounted	ASYG30LMTA
	ASYG36LMTA
	AUXG18LRLB
Cassette	AUXG24LRLB
	AUXG30LRLB
	AUXG36LRLB
	AUXG45LRLB
	AUXG54LRLB
	ARYG18LHTBP
Duct	ARYG24LHTBP
	ARYG30LHTBP
	ARYG36LHTBP
	ARYG45LHTBP
	ARYG54LHTBP

Dimensions

Unit:mm (In.)

Model name :
UTY-VMSX



Specifications

(TENTATIVE)

Model name	UTY-VMSX	
Input Power	W	1.2
Temperature	Operating / Packaged °C (°F)	0~46 (32~114) / -10~60 (14~140)
Humidity	Packaged %	0~95 (RH); No condensation
Dimensions (HxWxD)	mm (in.)	43(1-11/16) x 117(4-5/8) x 140(5-1/2)
Weight	g (oz)	200 (7)
Maximum controllable indoor unit number per 1 Modbus Converter		16
Maximum controllable outdoor unit number per 1 Modbus Converter		100
Maximum number of connected Modbus Converter units to one Modbus master unit	Without repeater	31
	With repeater	247
Communication standards		RS485

- Other company and product names mentioned herein may be registered trademarks, trademarks or trade names of their respective owners.
- Modbus is registered trademark of Schneider Electric SA.

- Specifications and design are subject to change without notice for further improvement.
- Actual products' colors may be different from the colors shown in this printed material.

Distributed by :



FUJITSU GENERAL LIMITED

3-3-17, Suenaga, Takatsu-ku, Kawasaki 213-8502, Japan

<http://www.fujitsu-general.com/>

Copyright© 2015 Fujitsu General Limited. All rights reserved. 1EFNP1-1510E