

AIR CONDITIONER

Wall mounted type

DESIGN & TECHNICAL MANUAL

For Cold Climate Region

INDOOR



ASYG09KMCEN
ASYG12KMCEN
ASYG14KMCEN

OUTDOOR



AOYG09KMCEN



AOYG12KMCEN



AOYG14KMCEN

FUJITSU GENERAL LIMITED

Notices:

- Product specifications and design are subject to change without notice for future improvement.
- For further details, please check with our authorized dealer.

Trademarks

“AIRSTAGE Mobile” is a trademark of FUJITSU GENERAL LIMITED.

Android and Google Play are trademarks of Google LLC.

App Store is a service mark of Apple Inc., registered in the U.S. and other countries.

IOS is a trademark or registered trademark of Cisco in the U.S. and other countries and is used under license.

CONTENTS

Part 1. INDOOR UNIT	1
1. Specifications	2
2. Wireless LAN control	4
2-1. System requirement.....	4
2-2. Wireless LAN function list	5
3. Dimensions	6
3-1. Models: ASYG09KMCEN, ASYG12KMCEN, and ASYG14KMCEN	6
4. Wiring diagrams	8
4-1. Models: ASYG09KMCEN, ASYG12KMCEN, and ASYG14KMCEN	8
5. Capacity table	9
5-1. Cooling capacity.....	9
5-2. Heating capacity	10
6. Fan performance	11
6-1. Air velocity distributions.....	11
6-2. Airflow	12
7. Operation noise (sound pressure)	15
7-1. Noise level curve.....	15
7-2. Sound level check point	17
8. Safety devices	18
9. External input and output	19
9-1. External input.....	20
9-2. External output.....	22
9-3. Setting of external input and output	23
9-4. Details of control input function	24
9-5. Details of control output function.....	28
10. Group connection	30
11. Remote controller	31
11-1. Wireless remote controller	31
12. Function settings	33
12-1. Function settings by using remote controller	33
12-2. Custom code setting for wireless remote controller.....	40
13. Accessories	41
13-1. Models: ASYG09KMCEN, ASYG12KMCEN, and ASYG14KMCEN	41
14. Optional parts	42
14-1. Controllers	42
14-2. Others	43

CONTENTS (continued)

Part 2. OUTDOOR UNIT	45
1. Specifications	46
2. Dimensions	47
2-1. Model: AOYG09KMCEN.....	47
2-2. Model: AOYG12KMCEN.....	48
2-3. Model: AOYG14KMCEN.....	49
3. Installation space	50
3-1. Models: AOYG09KMCEN, AOYG12KMCEN, and AOYG14KMCEN.....	50
4. Refrigerant circuit	53
4-1. Models: AOYG09KMCEN and AOYG12KMCEN.....	53
4-2. Model: AOYG14KMCEN.....	54
5. Wiring diagrams	55
5-1. Models: AOYG09KMCEN and AOYG12KMCEN.....	55
5-2. Model: AOYG14KMCEN.....	56
6. Capacity compensation rate for pipe length and height difference	57
6-1. Model: AOYG09KMCEN.....	57
6-2. Model: AOYG12KMCEN.....	58
6-3. Model: AOYG14KMCEN.....	58
7. Additional charge calculation	59
7-1. Model: AOYG09KMCEN.....	59
7-2. Model: AOYG12KMCEN.....	59
7-3. Model: AOYG14KMCEN.....	59
8. Airflow	60
8-1. Model: AOYG09KMCEN.....	60
8-2. Model: AOYG12KMCEN.....	60
8-3. Model: AOYG14KMCEN.....	60
9. Operation noise (sound pressure)	61
9-1. Noise level curve.....	61
9-2. Sound level check point.....	62
10. Electrical characteristics	63
11. Safety devices	64
12. Accessories	65
12-1. Models: AOYG09KMCEN, AOYG12KMCEN, and AOYG14KMCEN.....	65

Part 1. INDOOR UNIT

WALL MOUNTED TYPE:

ASYG09KMCEN

ASYG12KMCEN

ASYG14KMCEN

1. Specifications

Type				Wall mounted			
				Inverter, Heat pump			
Model name				ASYG09KMCEN	ASYG12KMCEN	ASYG14KMCEN	
Power supply				230 V~ 50 Hz			
Power supply intake				Outdoor unit			
Available voltage range				198—264 V			
Capacity	Cooling	Rated	kW	2.5	3.4	4.2	
			Btu/h	8,500	11,600	14,300	
		Min.—Max.	kW	1.00—3.80	1.00—4.20	1.20—4.65	
		Btu/h	3,400—13,000	3,400—14,300	4,100—15,900		
	Heating	Rated	kW	3.2	4.0	5.4	
			Btu/h	10,900	13,600	18,400	
Min.—Max.		kW	0.9—5.7	0.9—5.9	0.9—6.4		
	Btu/h	3,100—19,400	3,100—20,100	3,100—21,800			
Input power	Cooling	Rated	kW	0.54	0.80	1.10	
		Min.—Max.		0.21—1.08	0.21—1.25	0.26—1.25	
	Heating	Rated		0.72	0.96	1.40	
		Min.—Max.		0.180—2.350	0.180—1.800	0.185—1.900	
Current	Cooling	Rated	A	2.5	3.6	4.9	
	Heating			3.3	4.3	6.2	
Energy efficiency class	Cooling			A++			
	Heating (Average)			A++			
Pdesign	Cooling		kW	2.5	3.4	4.2	
	Heating (Average)			2.5	3.6	4.2	
SEER	Cooling		kWh/kWh	6.5	7.5	7.3	
SCOP	Heating (Average)			4.6	4.6	4.6	
Annual energy consumption	QCE		kWh/a	135	159	201	
	QHE (Average)			761	1,096	1,278	
EER	Cooling		kW/kW	4.63	4.25	3.82	
COP	Heating			4.44	4.17	3.86	
Sensible capacity	Cooling		kW	2.37	2.74	3.26	
Power factor	Cooling		%	94	96	97	
	Heating			95	97	98	
Moisture removal			L/h (pints/h)	1.3 (2.3)	1.8 (3.2)	2.1 (3.7)	
Maximum operating current *1	Cooling		A	6.0	7.0	8.5	
	Heating			9.5	11.5	16.0	
Fan	Airflow rate	Cooling	m ³ /h	HIGH	670	690	770
				MED	530	560	600
				LOW	410	450	450
				QUIET	280	280	280
		Heating		HIGH	750	780	820
				MED	620	630	650
				LOW	510	520	520
				QUIET	290	290	340
	Type × Qty				Crossflow fan × 1		
	Motor output	W			27		
Sound pressure level *2	Cooling	HIGH MED LOW QUIET	dB (A)	HIGH	40	42	43
				MED	36	37	40
				LOW	30	32	33
				QUIET	20	20	20
	Heating			HIGH	42	43	44
				MED	38	39	40
				LOW	33	35	35
				QUIET	22	22	24
Sound power level	Cooling	HIGH	dB (A)	55	56	58	
	Heating			57	58	60	
Heat exchanger	Dimensions (H × W × D)		mm	Main 1: 210 × 670 × 26.6 Main 2: 112 × 670 × 20.0 Sub 1: 84 × 670 × 13.3			
	Fin pitch			Man 1: 1.2 Main 2: 1.1 Sub 1: 1.4			
	Rows × Stages			Main 1: 2 × 10 Main 2: 2 × 7 Sub 1: 1 × 4			
	Pipe type			Copper tube			
	Fin type			Aluminum			
Enclosure	Material		Polystyrene				
	Color		White Approximate color of Munsell N9.25/				
Dimensions (H × W × D)	Net		mm	270 × 834 × 222			
	Gross			277 × 914 × 332			
Weight	Net		kg	10.0			
	Gross			13.0			
Connection pipe	Size	Liquid	mm (in)	Ø6.35 (Ø1/4)			
		Gas		Ø9.52 (Ø3/8)			
	Method	Flare					
Drain hose	Material		PP+HDPE				
	Tip diameter		mm	Ø13.8 (I.D.), Ø15.8 to Ø16.7 (O.D.)			
Operation range	Cooling		°C	18 to 32			
	Heating		%RH	80 or less			
Remote controller			°C	16 to 30			
				Wireless (Option: Wired, Mobile app*3 [AIRSTAGE Mobile])			

Type	Wall mounted		
	Inverter, Heat pump		
Model name	ASYG09KMCEN	ASYG12KMCEN	ASYG14KMCEN
<p>NOTES:</p> <ul style="list-style-type: none"> • Specifications are based on the following conditions: <ul style="list-style-type: none"> – Cooling: Indoor temperature of 27°CDB/19°CWB, and outdoor temperature of 35°CDB/24°CWB. – Heating: Indoor temperature of 20°CDB/15°CWB, and outdoor temperature of 7°CDB/6°CWB. – Pipe length: 5.0 m, Height difference: 0 m. (Between outdoor unit and indoor unit.) • Protective function might work when using it outside the operation range. • *1: Maximum operating current is the total current of the indoor unit and the outdoor unit. • *2: Sound pressure level: <ul style="list-style-type: none"> – Measured values in manufacturer's anechoic chamber. – Because of the surrounding sound environment, the sound levels measured in actual installation conditions might be higher than the specified values here. • *3: Available on Google Play™ store or on App Store®. • This data is based on EN 14511 standard. 			

2. Wireless LAN control

By installing mobile app on a smart device, several functions can be controlled from outside the house.

2-1. System requirement

Before using this function, prepare the following items:

- **Wireless router:**

Wireless LAN standard	IEEE802.11b/g/n
Frequency bands*	<ul style="list-style-type: none"> • U.S.A., Canada: 2.4 GHz (1ch—11ch) • Other countries: 2.4 GHz (1ch—13ch)
Network security standard	<ul style="list-style-type: none"> • Open • WEP • WPA (PSK) • WPA2 Personal (PSK) • WPS for same-LAN registration

*: Usable only in the country or region where you purchased the product.

To check whether your wireless router complies with the network security standards listed above, refer to the operation manual.

- **Smartphone:**

App-compliant operating system	iOS	Check the latest version of supported OS at Google Play store or App Store.
	Android™	

- **AIRSTAGE Mobile (mobile application):**

Mobile app is available on Google Play store or on App Store.

After installation of mobile app, user registration is required. For user registration and setup information, refer to Setting Manual attached with the product.

For the latest version of the wireless LAN control manuals, refer to the following web site.

<https://www.fujitsu-general.com/global/support/>

2-2. Wireless LAN function list

NOTE: To use the wireless LAN control, user registration in advance and access to the wireless home network are required.

Item		Mobile app	Attached Wireless Remote Controller	
Air conditioning control function	Operation on/off	○	○	
	Operation mode setting	○	○	
	Set temperature setting	○	○	
	Fan speed setting	○	○	
	Airflow direction setting	Louver position adjustment (up/down)	○	○
		Swing (up/down)	○	○
	Timer operation	Off timer	—	○*1
		On timer	—	○*1
		Sleep timer	—	○*1
		On/off program timer	—	○*1
	Weekly timer*2	○	○*1	
Additional function	POWERFUL operation setting	○*1	○*1	
	ECONOMY operation setting	○	○	
	10 °C HEAT operation setting	○*1	○*1	
	Room temperature indication	○	—	
	Fan control for energy saving	○	○	
	Outdoor unit low noise operation setting	○*1	○*1	

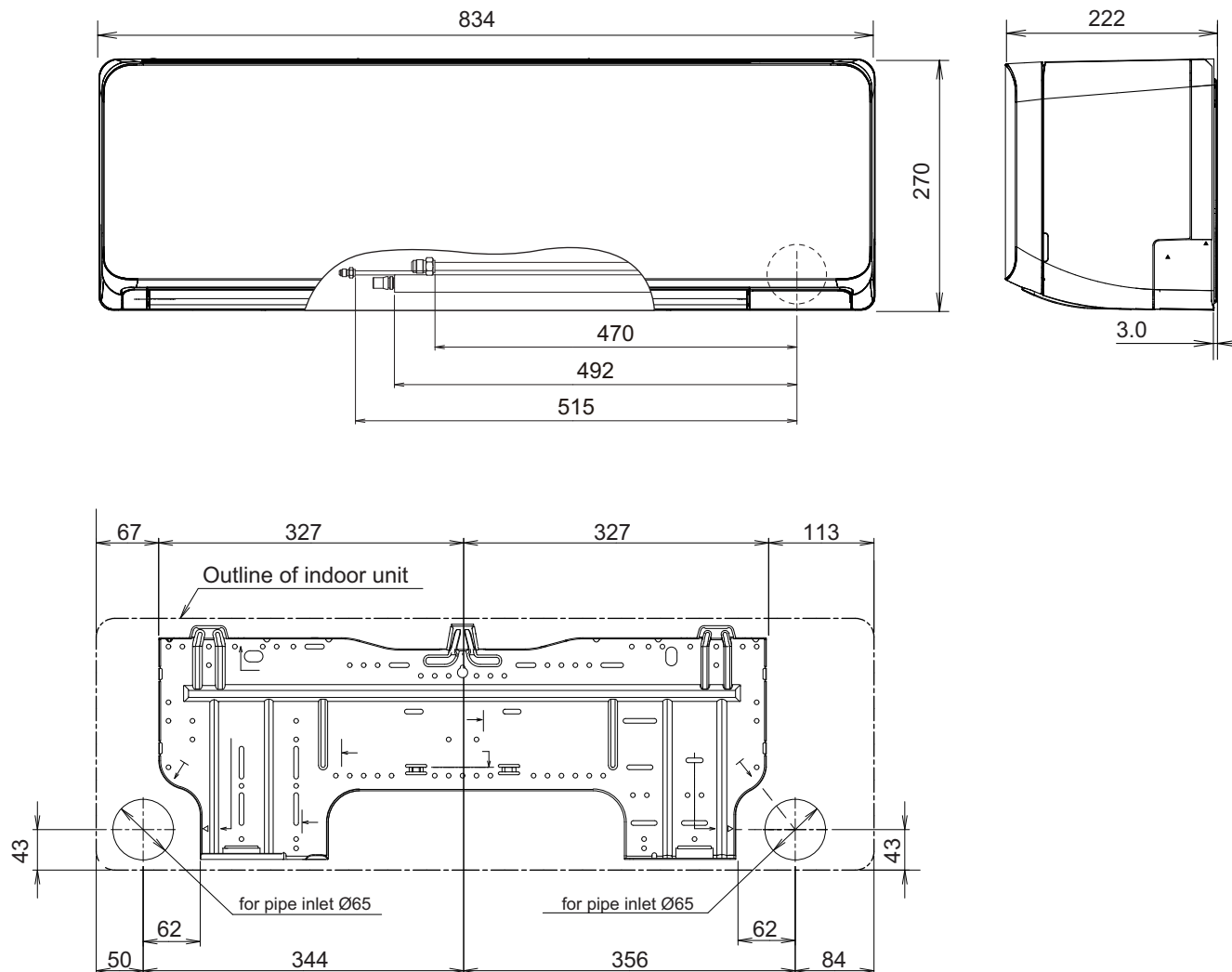
*1: Not operable when Wired Remote Controller is connected.

*2: Configurable functions of the weekly timer differs on Wireless Remote Controller and on mobile application. If timer settings are done from mobile application and from Wireless Remote Controller, both timer settings will be active.

3. Dimensions

3-1. Models: ASYG09KMCEN, ASYG12KMCEN, and ASYG14KMCEN

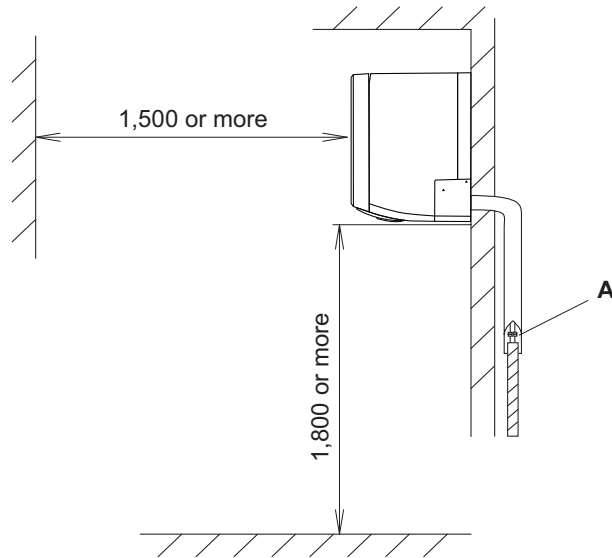
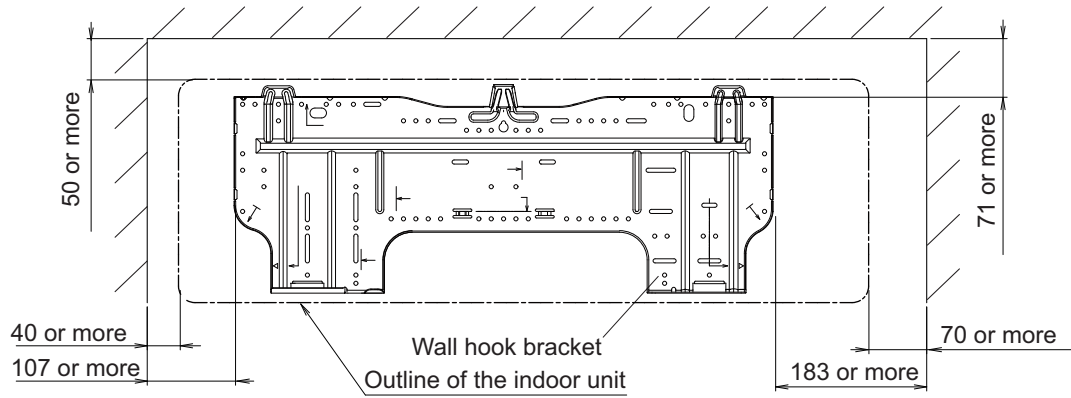
Unit: mm



■ Installation space requirement

Provide sufficient installation space for product safety.

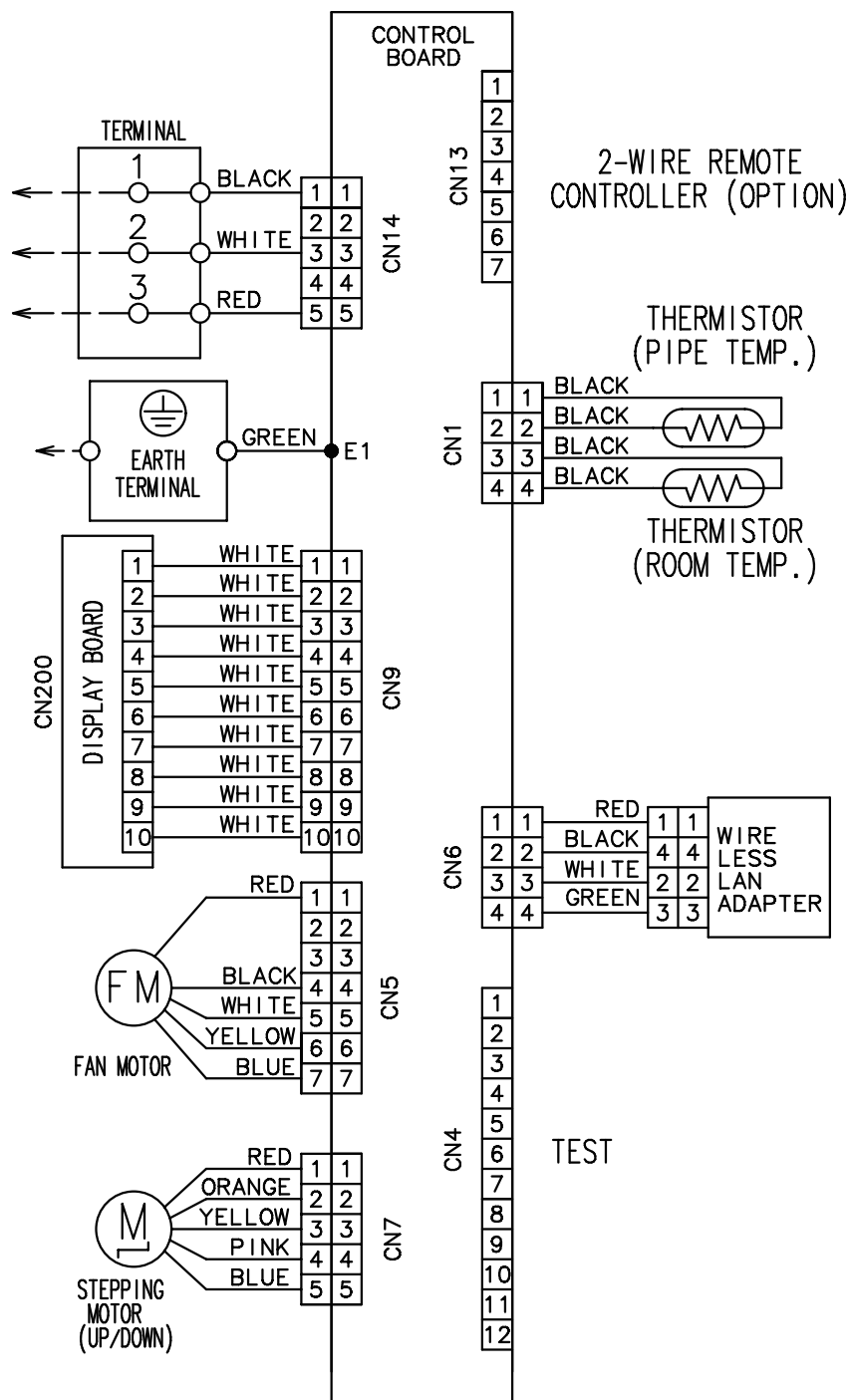
Unit: mm



A: Install so that the flare connection part is outdoors.

4. Wiring diagrams

4-1. Models: ASYG09KMCEN, ASYG12KMCEN, and ASYG14KMCEN



5. Capacity table

Capacity tables show each of following values calculated based on the outdoor temperature and the indoor temperature, under given Airflow Rate (AFR):

For cooling capacity: Total Capacity (TC), Sensible Heat Capacity (SHC), and Input Power (IP)

For heating capacity: Total Capacity (TC) and Input Power (IP)

5-1. Cooling capacity

Model: ASYG09KMCEN

AFR	m ³ /h																					670
Outdoor temperature	Indoor temperature																					
	°CDB	18			21			23			25			27			29			32		
	°CWB	12			15			16			18			19			21			23		
	°CDB	TC	SHC	IP	TC	SHC	IP	TC	SHC	IP	TC	SHC	IP	TC	SHC	IP	TC	SHC	IP	TC	SHC	IP
		kW			kW			kW			kW			kW			kW			kW		
	-10	2.45	2.41	0.57	2.73	2.42	0.58	2.82	2.63	0.58	3.01	2.64	0.58	3.10	2.85	0.59	3.29	2.84	0.59	3.47	3.03	0.60
	-5	2.64	2.59	0.56	2.94	2.61	0.56	3.04	2.84	0.57	3.24	2.85	0.57	3.34	3.07	0.58	3.54	3.06	0.58	3.74	3.26	0.59
	0	2.83	2.78	0.55	3.15	2.80	0.55	3.26	3.04	0.56	3.47	3.05	0.56	3.58	3.29	0.57	3.79	3.28	0.57	4.01	3.49	0.58
	5	2.92	2.87	0.48	3.25	2.88	0.48	3.36	3.13	0.49	3.58	3.14	0.49	3.69	3.39	0.49	3.91	3.38	0.50	4.13	3.60	0.50
	10	3.00	2.95	0.41	3.34	2.97	0.41	3.46	3.23	0.41	3.69	3.24	0.42	3.80	3.50	0.42	4.03	3.48	0.42	4.26	3.71	0.43
15	2.67	2.63	0.38	2.98	2.64	0.39	3.08	2.87	0.39	3.28	2.88	0.39	3.38	3.11	0.40	3.58	3.10	0.40	3.79	3.30	0.40	
20	2.34	2.30	0.36	2.61	2.31	0.36	2.70	2.52	0.37	2.87	2.52	0.37	2.96	2.73	0.37	3.14	2.71	0.37	3.32	2.89	0.38	
25	2.22	2.18	0.40	2.48	2.20	0.41	2.56	2.39	0.41	2.73	2.40	0.41	2.81	2.59	0.42	2.98	2.58	0.42	3.15	2.75	0.43	
30	2.10	2.06	0.45	2.34	2.07	0.45	2.42	2.25	0.46	2.58	2.26	0.46	2.66	2.44	0.46	2.82	2.43	0.47	2.98	2.59	0.47	
35	1.98	1.94	0.49	2.20	1.95	0.50	2.28	2.12	0.50	2.43	2.13	0.51	2.50	2.30	0.51	2.65	2.29	0.52	2.80	2.44	0.52	
40	1.90	1.73	0.49	2.12	1.74	0.50	2.19	1.89	0.50	2.34	1.90	0.51	2.41	2.05	0.51	2.55	2.04	0.51	2.70	2.17	0.52	
46	1.84	1.60	0.49	2.04	1.61	0.50	2.11	1.75	0.50	2.25	1.76	0.51	2.32	1.90	0.51	2.46	1.89	0.51	2.60	2.01	0.52	

Model: ASYG12KMCEN

AFR	m ³ /h																					690
Outdoor temperature	Indoor temperature																					
	°CDB	18			21			23			25			27			29			32		
	°CWB	12			15			16			18			19			21			23		
	°CDB	TC	SHC	IP	TC	SHC	IP	TC	SHC	IP	TC	SHC	IP	TC	SHC	IP	TC	SHC	IP	TC	SHC	IP
		kW			kW			kW			kW			kW			kW			kW		
	-10	2.50	2.08	0.41	2.78	2.09	0.41	2.88	2.28	0.41	3.07	2.28	0.42	3.16	2.46	0.42	3.35	2.45	0.43	3.54	2.62	0.43
	-5	2.50	2.09	0.44	2.79	2.10	0.45	2.88	2.28	0.45	3.07	2.29	0.46	3.17	2.47	0.46	3.36	2.46	0.47	3.55	2.62	0.47
	0	2.51	2.09	0.48	2.80	2.11	0.49	2.89	2.29	0.49	3.08	2.30	0.50	3.18	2.48	0.50	3.37	2.47	0.51	3.56	2.63	0.51
	5	2.51	2.09	0.39	2.80	2.11	0.40	2.89	2.29	0.40	3.08	2.30	0.40	3.18	2.48	0.41	3.37	2.47	0.41	3.56	2.63	0.41
	10	2.51	2.07	0.30	2.80	2.09	0.31	2.89	2.27	0.31	3.08	2.27	0.31	3.18	2.46	0.31	3.37	2.45	0.32	3.56	2.61	0.32
15	2.85	1.98	0.43	3.17	1.99	0.44	3.28	2.16	0.44	3.50	2.17	0.44	3.60	2.35	0.45	3.82	2.34	0.45	4.04	2.49	0.46	
20	3.18	2.66	0.56	3.55	2.67	0.57	3.67	2.90	0.57	3.91	2.91	0.58	4.03	3.15	0.58	4.27	3.13	0.59	4.51	3.34	0.59	
25	3.02	2.52	0.63	3.37	2.54	0.64	3.48	2.76	0.64	3.71	2.77	0.65	3.83	2.99	0.65	4.06	2.98	0.66	4.28	3.17	0.67	
30	2.86	2.38	0.70	3.18	2.40	0.71	3.29	2.61	0.72	3.51	2.62	0.72	3.62	2.82	0.73	3.83	2.81	0.73	4.05	3.00	0.74	
35	2.69	2.24	0.77	2.99	2.25	0.78	3.09	2.45	0.79	3.30	2.46	0.80	3.40	2.66	0.80	3.60	2.64	0.81	3.81	2.82	0.82	
40	2.39	2.00	0.77	2.67	2.01	0.78	2.76	2.18	0.79	2.94	2.19	0.80	3.03	2.37	0.80	3.21	2.36	0.81	3.39	2.51	0.82	
46	2.22	1.85	0.77	2.47	1.86	0.78	2.56	2.03	0.79	2.73	2.03	0.79	2.81	2.19	0.80	2.98	2.19	0.80	3.15	2.33	0.81	

Model: ASYG14KMCEN

AFR	m ³ /h																					770
Outdoor temperature	Indoor temperature																					
	°CDB	18			21			23			25			27			29			32		
	°CWB	12			15			16			18			19			21			23		
	°CDB	TC	SHC	IP	TC	SHC	IP	TC	SHC	IP	TC	SHC	IP	TC	SHC	IP	TC	SHC	IP	TC	SHC	IP
		kW			kW			kW			kW			kW			kW			kW		
	-10	3.58	2.86	0.40	3.98	2.88	0.41	4.12	3.13	0.41	4.39	3.14	0.41	4.53	3.39	0.42	4.80	3.38	0.42	5.07	3.60	0.42
	-5	3.47	2.78	0.45	3.86	2.79	0.45	3.99	3.04	0.46	4.26	3.05	0.46	4.39	3.29	0.46	4.65	3.28	0.47	4.92	3.49	0.47
	0	3.36	2.69	0.49	3.74	2.71	0.50	3.87	2.94	0.50	4.12	2.95	0.51	4.25	3.19	0.51	4.51	3.18	0.51	4.76	3.38	0.52
	5	3.18	2.55	0.48	3.55	2.57	0.49	3.67	2.79	0.49	3.91	2.80	0.50	4.03	3.02	0.50	4.27	3.01	0.51	4.51	3.21	0.51
	10	3.01	2.41	0.48	3.35	2.42	0.48	3.46	2.63	0.49	3.69	2.64	0.49	3.81	2.85	0.49	4.03	2.84	0.50	4.26	3.03	0.50
15	3.47	2.78	0.62	3.86	2.80	0.63	4.00	3.04	0.64	4.26	3.05	0.64	4.39	3.29	0.65	4.65	3.28	0.65	4.92	3.49	0.66	
20	3.93	3.15	0.77	4.38	3.17	0.78	4.53	3.45	0.79	4.83	3.46	0.80	4.98	3.73	0.80	5.28	3.72	0.81	5.57	3.96	0.82	
25	3.73	2.99	0.87	4.16	3.01	0.88	4.30	3.27	0.89	4.58	3.28	0.89	4.73	3.54	0.90	5.01	3.53	0.91	5.29	3.76	0.92	
30	3.53	2.84	0.96	3.93	2.86	0.98	4.07	3.11	0.98	4.33	3.12	0.99	4.47	3.37	1.00	4.74	3.35	1.01	5.00	3.57	1.02	
35	3.32	2.67	1.06	3.70	2.69	1.08	3.82	2.92	1.08	4.07	2.93	1.09	4.20	3.16	1.10	4.45	3.15	1.11	4.70	3.36	1.12	
40	3.20	2.38	1.06	3.56	2.39	1.08	3.68	2.60	1.08	3.93	2.61	1.09	4.05	2.82	1.10	4.29	2.81	1.11	4.53	2.99	1.12	
46	3.08	2.21	1.06	3.43	2.22	1.07	3.55	2.41	1.08	3.79	2.42	1.09	3.90	2.62	1.10	4.14	2.60	1.11	4.37	2.77	1.12	

5-2. Heating capacity

NOTE: Values mentioned in the table are calculated based on the maximum capacity.

Model: ASYG09KMCEN

AFR	m ³ /h	750
-----	-------------------	-----

			Indoor temperature																			
			16			18			20			22			24							
			TC	IP	kW	TC	IP	kW	TC	IP	kW	TC	IP	kW	TC	IP	kW					
Outdoor temperature	°CDB	°CWB	2.91	1.55	2.84	1.58	2.77	1.62	2.70	1.65	2.63	1.68	3.24	1.66	3.16	1.70	3.09	1.73	3.01	1.77	2.93	1.80
	-25	-26	3.57	1.77	3.49	1.81	3.40	1.85	3.32	1.88	3.23	1.92	4.12	1.84	4.02	1.88	3.92	1.92	3.82	1.96	3.73	2.00
	-20	-21	4.67	1.91	4.56	1.95	4.45	1.99	4.33	2.03	4.22	2.07	5.22	1.98	5.09	2.02	4.97	2.06	4.84	2.10	4.72	2.14
	-15	-16	5.77	2.04	5.63	2.09	5.49	2.13	5.35	2.16	5.22	2.16	6.30	2.11	6.15	2.15	6.00	2.19	5.85	2.23	5.70	2.27
	-10	-11	5.99	2.07	5.84	2.11	5.70	2.16	5.56	2.16	5.42	2.16	6.49	2.04	6.34	2.08	6.20	2.12	6.05	2.16	5.90	2.20
	-5	-7	5.43	1.79	5.30	1.83	5.17	1.86	5.04	1.90	4.91	1.94	6.20	1.85	6.05	1.89	5.90	1.93	5.75	1.96	5.60	2.00
	0	-2	5.43	1.79	5.30	1.83	5.17	1.86	5.04	1.90	4.91	1.94	6.20	1.85	6.05	1.89	5.90	1.93	5.75	1.96	5.60	2.00
	5	3	5.43	1.79	5.30	1.83	5.17	1.86	5.04	1.90	4.91	1.94	6.20	1.85	6.05	1.89	5.90	1.93	5.75	1.96	5.60	2.00
	7	6	5.43	1.79	5.30	1.83	5.17	1.86	5.04	1.90	4.91	1.94	6.20	1.85	6.05	1.89	5.90	1.93	5.75	1.96	5.60	2.00
	10	8	5.43	1.79	5.30	1.83	5.17	1.86	5.04	1.90	4.91	1.94	6.20	1.85	6.05	1.89	5.90	1.93	5.75	1.96	5.60	2.00
15	10	5.43	1.79	5.30	1.83	5.17	1.86	5.04	1.90	4.91	1.94	6.20	1.85	6.05	1.89	5.90	1.93	5.75	1.96	5.60	2.00	

Model: ASYG12KMCEN

AFR	m ³ /h	780
-----	-------------------	-----

			Indoor temperature																			
			16			18			20			22			24							
			TC	IP	kW	TC	IP	kW	TC	IP	kW	TC	IP	kW	TC	IP	kW					
Outdoor temperature	°CDB	°CWB	3.44	1.78	3.36	1.81	3.28	1.85	3.20	1.89	3.12	1.92	3.98	1.94	3.88	1.98	3.79	2.02	3.70	2.06	3.60	2.10
	-25	-26	4.52	2.10	4.41	2.14	4.30	2.19	4.19	2.23	4.09	2.27	5.22	2.11	5.09	2.15	4.97	2.19	4.84	2.23	4.72	2.27
	-20	-21	4.90	1.99	4.78	2.03	4.66	2.08	4.55	2.12	4.43	2.16	5.66	2.04	5.51	2.08	5.36	2.12	5.21	2.16	5.06	2.20
	-15	-16	5.28	1.88	5.15	1.92	5.03	1.96	4.90	2.00	4.78	2.04	6.00	1.91	5.85	1.95	5.70	1.99	5.55	2.03	5.40	2.07
	-10	-11	5.66	1.78	5.53	1.81	5.39	1.85	5.26	1.89	5.12	1.93	6.20	1.85	6.05	1.89	5.90	1.93	5.75	1.96	5.60	2.00
	-5	-7	6.04	1.67	5.90	1.70	5.75	1.74	5.61	1.77	5.47	1.81	6.49	1.74	6.34	1.78	6.20	1.82	6.05	1.86	5.90	1.90
	0	-2	6.20	1.63	6.05	1.66	5.90	1.69	5.75	1.73	5.61	1.76	6.49	1.74	6.34	1.78	6.20	1.82	6.05	1.86	5.90	1.90
	5	3	6.20	1.63	6.05	1.66	5.90	1.69	5.75	1.73	5.61	1.76	6.49	1.74	6.34	1.78	6.20	1.82	6.05	1.86	5.90	1.90
	7	6	6.20	1.63	6.05	1.66	5.90	1.69	5.75	1.73	5.61	1.76	6.49	1.74	6.34	1.78	6.20	1.82	6.05	1.86	5.90	1.90
	10	8	6.20	1.63	6.05	1.66	5.90	1.69	5.75	1.73	5.61	1.76	6.49	1.74	6.34	1.78	6.20	1.82	6.05	1.86	5.90	1.90
15	10	6.20	1.63	6.05	1.66	5.90	1.69	5.75	1.73	5.61	1.76	6.49	1.74	6.34	1.78	6.20	1.82	6.05	1.86	5.90	1.90	

Model: ASYG14KMCEN

AFR	m ³ /h	820
-----	-------------------	-----

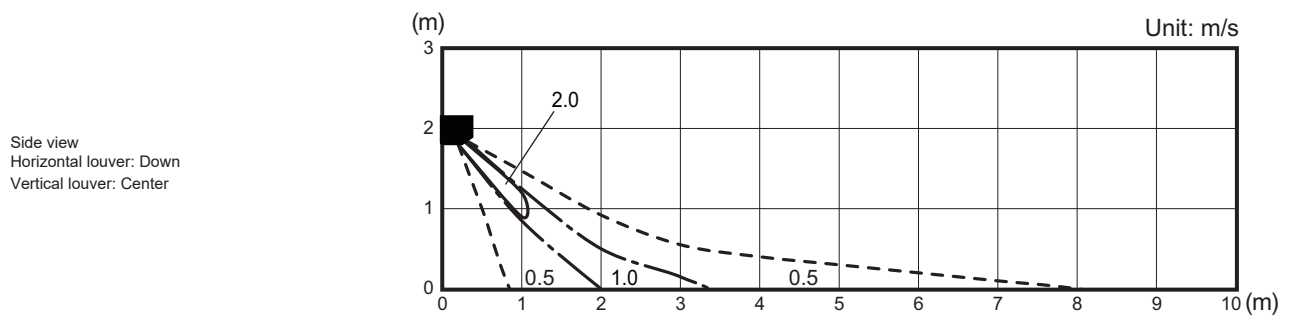
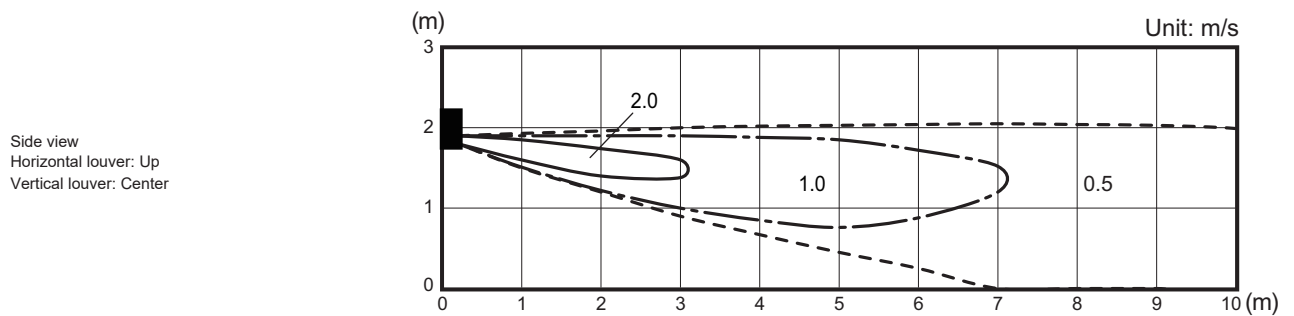
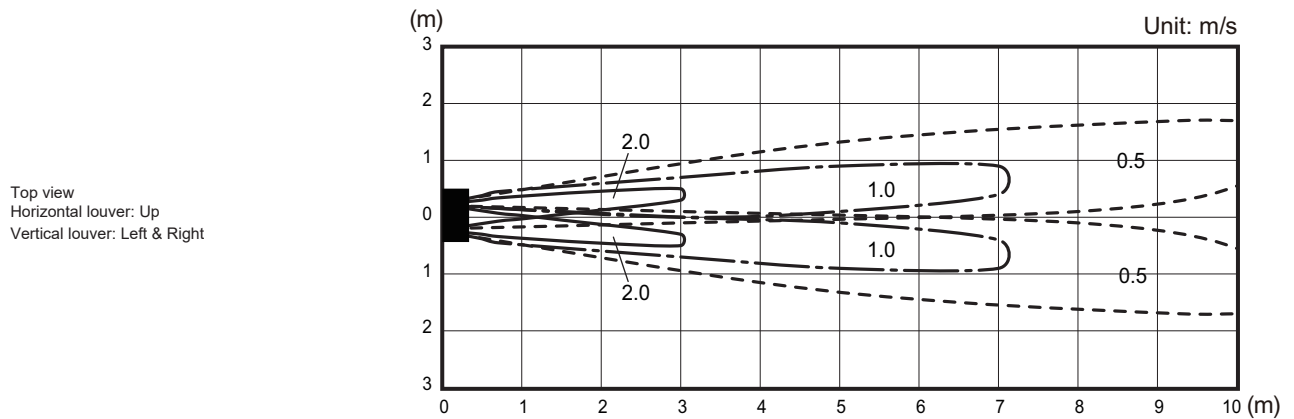
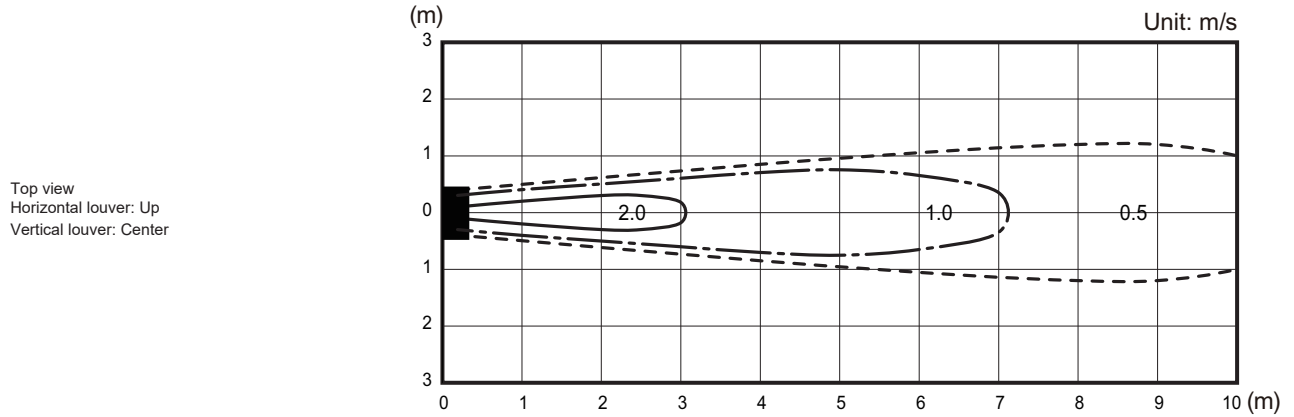
			Indoor temperature																			
			16			18			20			22			24							
			TC	IP	kW	TC	IP	kW	TC	IP	kW	TC	IP	kW	TC	IP	kW					
Outdoor temperature	°CDB	°CWB	4.90	2.61	4.79	2.66	4.67	2.71	4.55	2.77	4.44	2.82	5.60	2.89	5.47	2.95	5.34	3.01	5.20	3.07	5.07	3.13
	-25	-26	6.30	3.17	6.15	3.23	6.00	3.30	5.85	3.36	5.70	3.43	6.49	2.84	6.24	2.90	6.09	2.96	5.94	3.02	5.79	3.08
	-20	-21	6.49	2.52	6.34	2.57	6.18	2.63	6.03	2.68	5.87	2.73	6.68	2.41	6.53	2.46	6.38	2.52	6.23	2.57	6.08	2.63
	-15	-16	6.59	2.20	6.43	2.24	6.27	2.29	6.12	2.34	5.96	2.38	6.68	2.41	6.53	2.46	6.38	2.52	6.23	2.57	6.08	2.63
	-10	-11	6.68	1.88	6.52	1.91	6.36	1.95	6.20	1.99	6.05	2.03	6.72	1.75	6.56	1.78	6.40	1.82	6.24	1.86	6.08	1.89
	-5	-7	6.72	1.75	6.56	1.78	6.40	1.82	6.24	1.86	6.08	1.89	6.72	1.75	6.56	1.78	6.40	1.82	6.24	1.86	6.08	1.89
	0	-2	6.72	1.75	6.56	1.78	6.40	1.82	6.24	1.86	6.08	1.89	6.72	1.75	6.56	1.78	6.40	1.82	6.24	1.86	6.08	1.89
	5	3	6.72	1.75	6.56	1.78	6.40	1.82	6.24	1.86	6.08	1.89	6.72	1.75	6.56	1.78	6.40	1.82	6.24	1.86	6.08	1.89
	7	6	6.72	1.75	6.56	1.78	6.40	1.82	6.24	1.86	6.08	1.89	6.72	1.75	6.56	1.78	6.40	1.82	6.24	1.86	6.08	1.89
	10	8	6.72	1.75	6.56	1.78	6.40	1.82	6.24	1.86	6.08	1.89	6.72	1.75	6.56	1.78	6.40	1.82	6.24	1.86	6.08	1.89
15	10	6.72	1.75	6.56	1.78	6.40	1.82	6.24	1.86	6.08	1.89	6.72	1.75	6.56	1.78	6.40	1.82	6.24	1.86	6.08	1.89	

6. Fan performance

6-1. Air velocity distributions

■ Models: ASYG09KMCEN, ASYG12KMCEN, and ASYG14KMCEN

Measuring conditions	Fan speed	Operation mode
	HIGH	FAN



6-2. Airflow

■ Model: ASYG09KMCEN

● Cooling

Fan speed	Airflow	
HIGH	m ³ /h	670
	l/s	186
	CFM	394
MED	m ³ /h	530
	l/s	147
	CFM	312
LOW	m ³ /h	410
	l/s	114
	CFM	241
QUIET	m ³ /h	280
	l/s	78
	CFM	165

● Heating

Fan speed	Airflow	
HIGH	m ³ /h	750
	l/s	208
	CFM	441
MED	m ³ /h	620
	l/s	172
	CFM	365
LOW	m ³ /h	510
	l/s	142
	CFM	300
QUIET	m ³ /h	290
	l/s	81
	CFM	171

■ Model: ASYG12KMCEN

● Cooling

Fan speed	Airflow	
HIGH	m ³ /h	690
	l/s	192
	CFM	406
MED	m ³ /h	560
	l/s	156
	CFM	330
LOW	m ³ /h	450
	l/s	125
	CFM	265
QUIET	m ³ /h	280
	l/s	78
	CFM	165

● Heating

Fan speed	Airflow	
HIGH	m ³ /h	780
	l/s	217
	CFM	459
MED	m ³ /h	630
	l/s	175
	CFM	371
LOW	m ³ /h	520
	l/s	144
	CFM	306
QUIET	m ³ /h	290
	l/s	81
	CFM	171

■ Model: ASYG14KMCEN

● Cooling

Fan speed	Airflow	
HIGH	m ³ /h	770
	l/s	214
	CFM	453
MED	m ³ /h	600
	l/s	167
	CFM	353
LOW	m ³ /h	450
	l/s	125
	CFM	265
QUIET	m ³ /h	280
	l/s	78
	CFM	165

● Heating

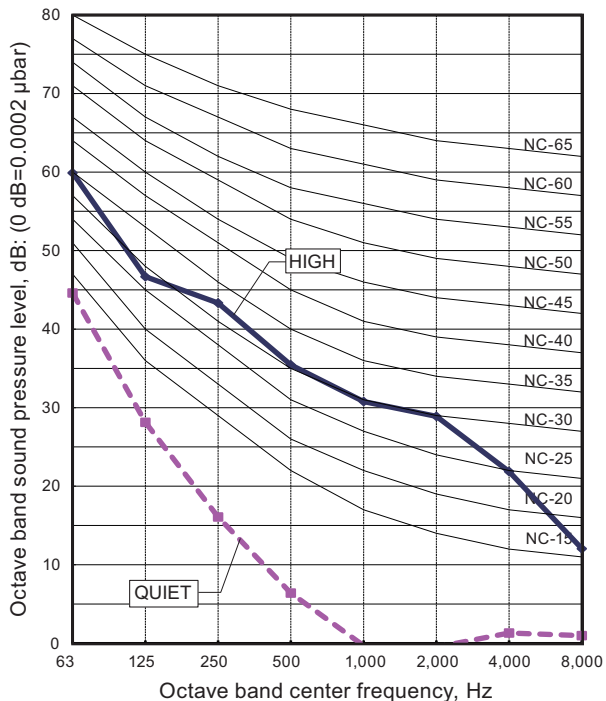
Fan speed	Airflow	
HIGH	m ³ /h	820
	l/s	228
	CFM	483
MED	m ³ /h	650
	l/s	181
	CFM	383
LOW	m ³ /h	520
	l/s	144
	CFM	306
QUIET	m ³ /h	340
	l/s	94
	CFM	200

7. Operation noise (sound pressure)

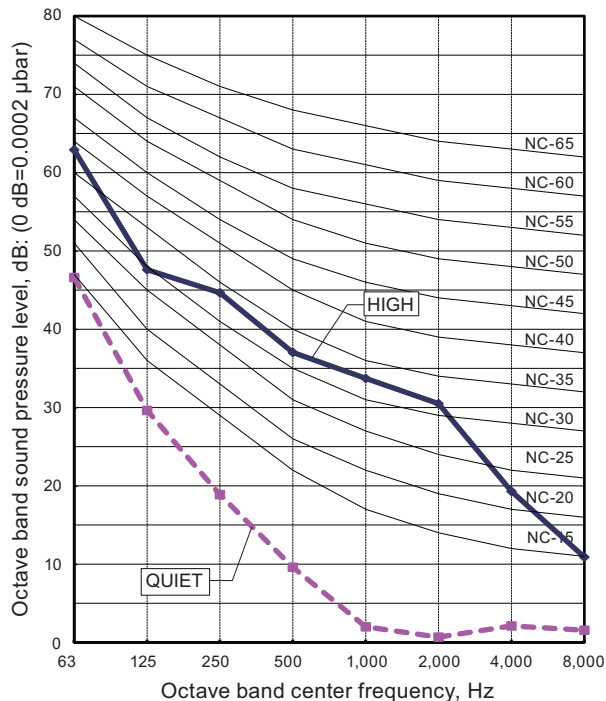
7-1. Noise level curve

Model: ASYG09KMCEN

Cooling

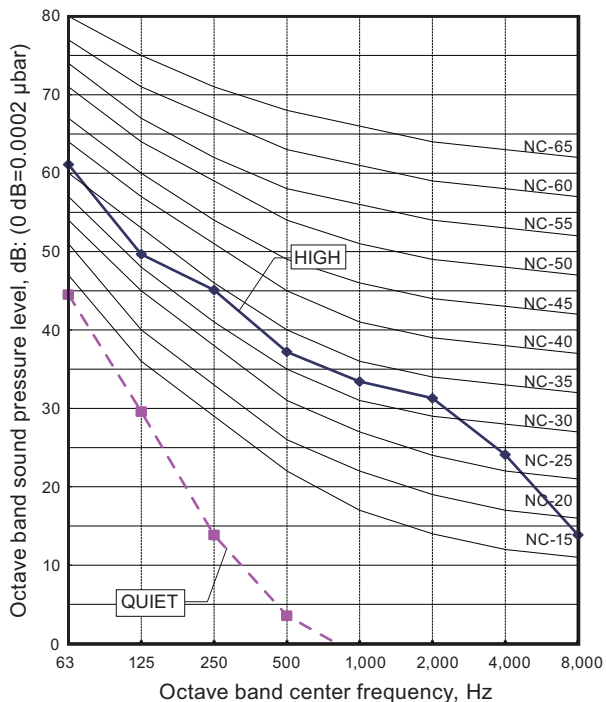


Heating

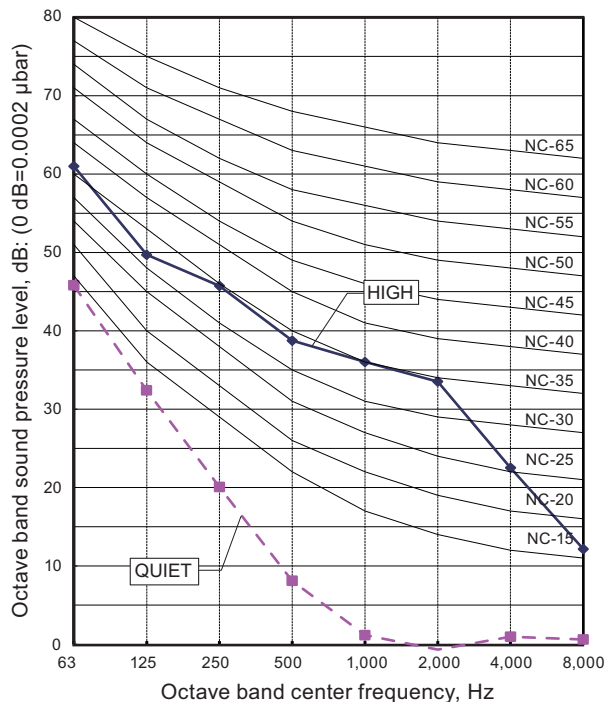


Model: ASYG12KMCEN

Cooling

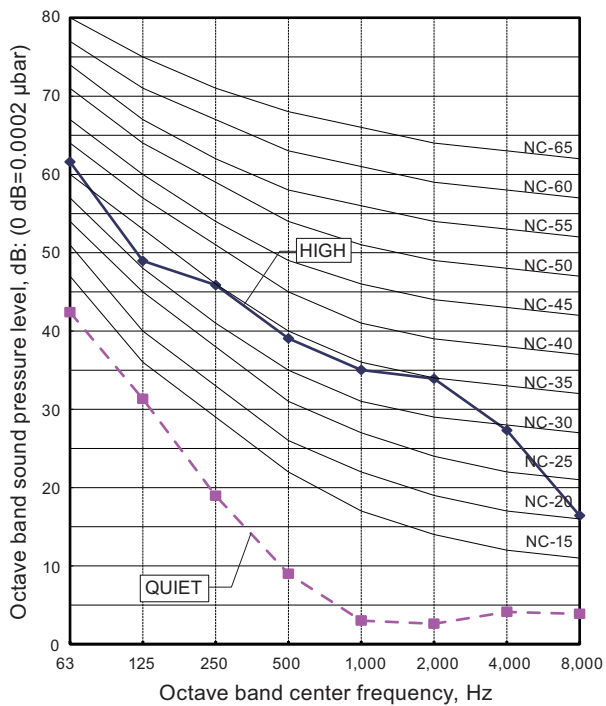


Heating

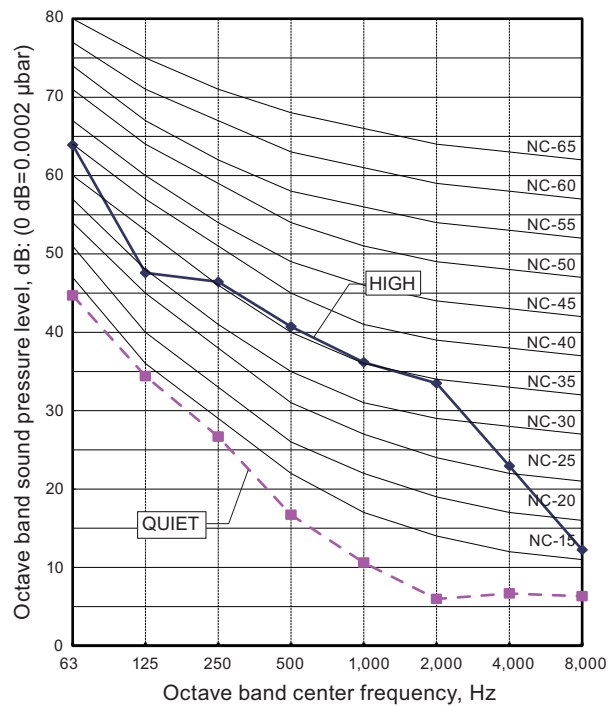


Model: ASYG14KMCEN

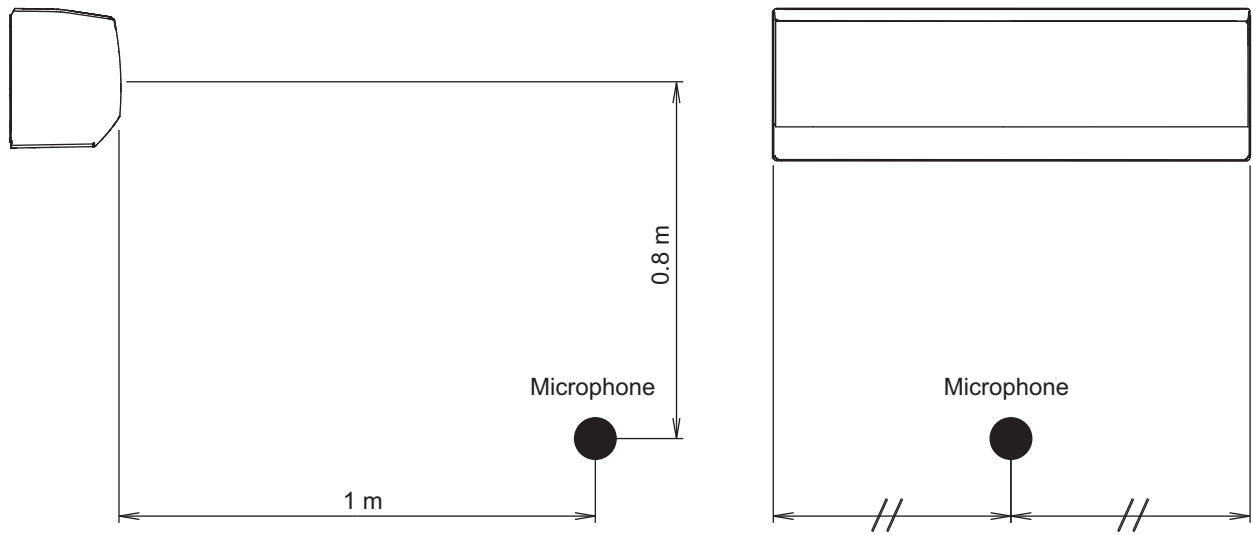
● Cooling



● Heating



7-2. Sound level check point



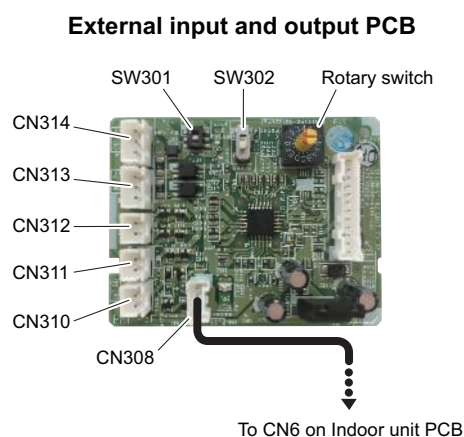
NOTE: Detailed shape of the actual indoor unit might be slightly different from the one illustrated above.

8. Safety devices

Type of protection	Protection form		Model		
			ASYG09KMCEN	ASYG12KMCEN	ASYG14KMCEN
Circuit protection	Current fuse (PCB*)		250 V, 3.15 A		
Fan motor protection	Thermal protection	Activate	170 ⁺²⁵ ₋₃₀ °C Fan motor stop		
		Reset	145 ⁺²⁵ ₋₃₀ °C Fan motor restart		

*PCB: Printed Circuit Board

9. External input and output



Connecting point		Input/Output	Function	Input select	Input signal
External Input and Output PCB (UTY-XCSXZ2)	CN313	Input	Operation/Stop	Dry contact/Apply voltage	Edge/Pulse
	CN314		Forced stop		
	CN313		Forced thermostat off		Edge
	CN310	Output	Operation/Stop	—	—
	CN311		Error status		
	CN312		Indoor unit fan operation status		

NOTE: For details of the switching function, refer to "[Setting of external input and output](#)" on page 23.

9-1. External input

With using external input function, some functions on this product can be controlled from an external device.

- "Operation/Stop" mode or "Forced stop" mode can be selected with function setting of indoor unit.
- A twisted pair cable should be used. Maximum length of cable is 150 m.
- Use an external input and output cable with appropriate external dimension, depending on the number of cables to be installed.
- The wire connection should be separate from the power cable line.

External Input and Output PCB

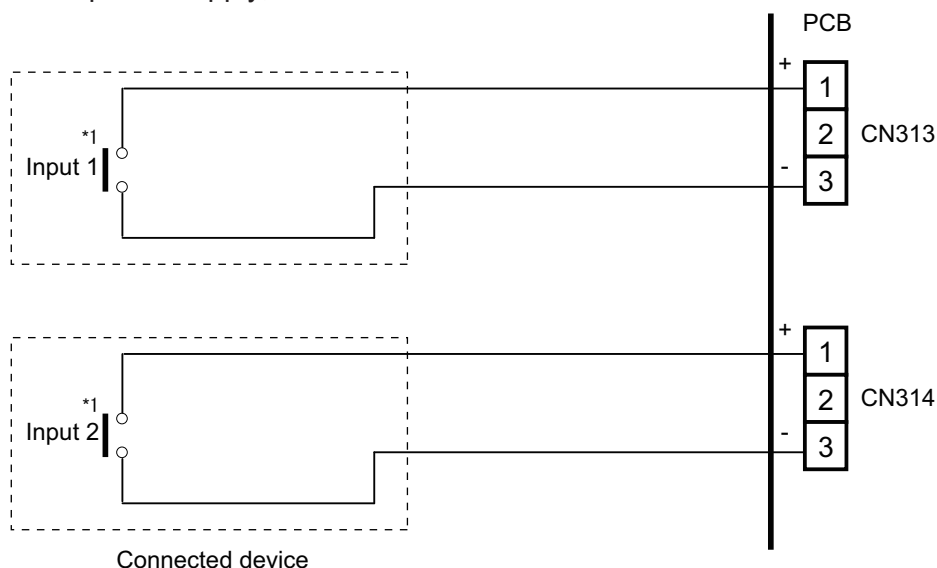
The indoor unit Operation/Stop can be set by using the input connector on the PCB.

Input select

Use either one of these types of connectors according to the application. (Both types of connectors cannot be used simultaneously.)

– Dry contact

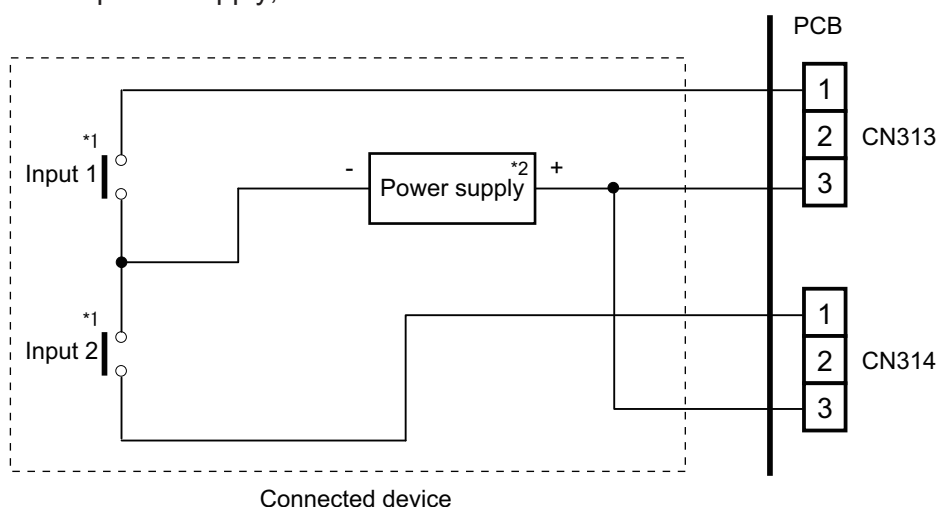
In case of internal power supply, set the slide switch of SW301 to "NON VOL" side.



*1: The switches can be used on the following condition: DC 12 V to 24 V, 1 mA to 15 mA.

– Apply voltage

In case of external power supply, set the slide switch of SW301 to "VOL" side.



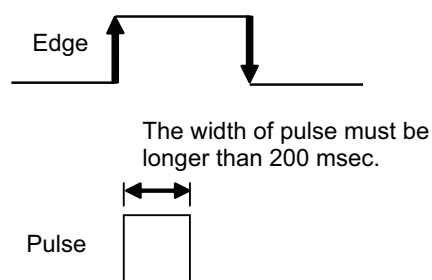
*1: The switches can be used on the following condition: DC 12 V to 24 V, 1 mA to 15 mA.

*2: Make the power supply DC 12 V to 24 V, 10 mA or more.

Input signal type

The input signal type can be selected.

Signal type (edge or pulse) can be switched by the DIP switch 2 (SW302) on the External Input and Output PCB.



NOTE: The input signal supports the following switch type:

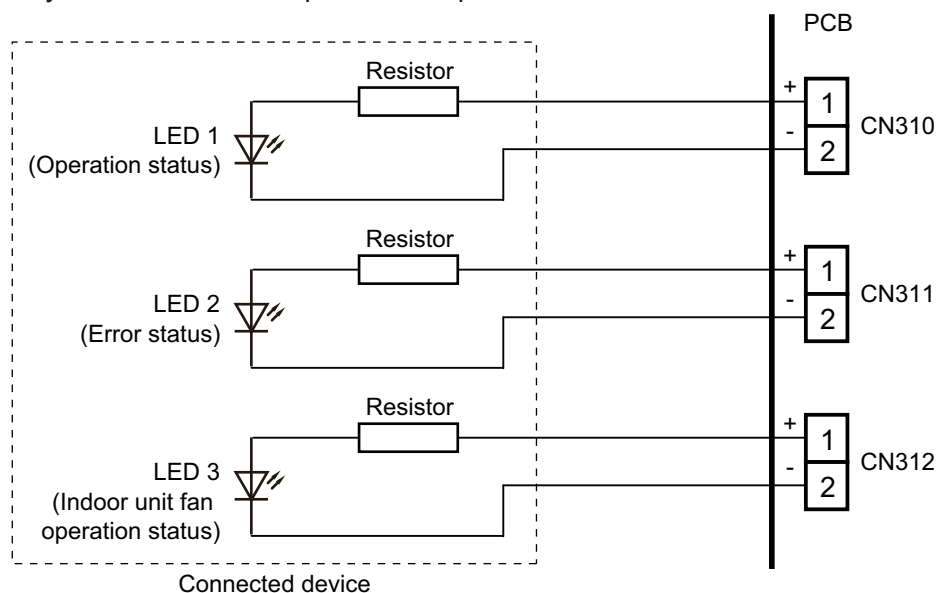
- Edge: Alternate type switch
- Pulse: Momentary type switch

9-2. External output

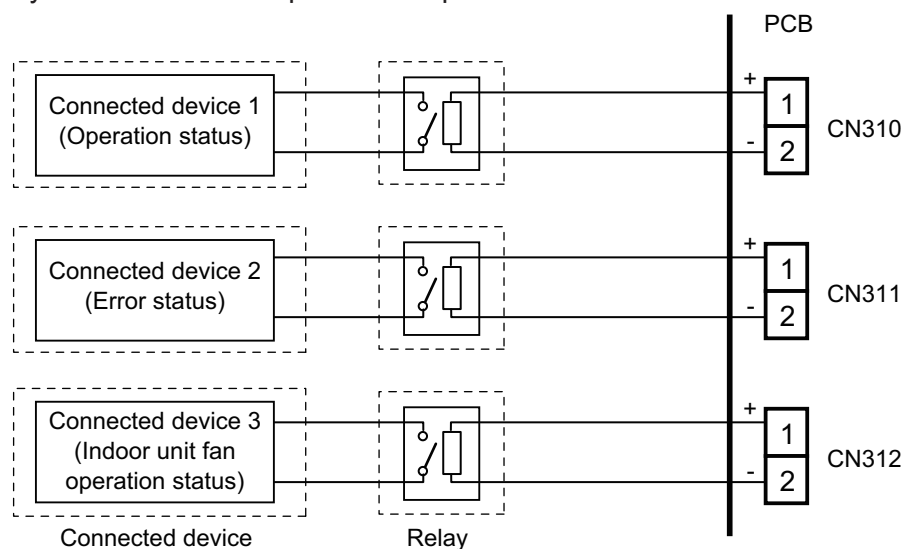
Use an external output cable with appropriate external dimension, depending on the number of cables to be installed.

External Input and Output PCB

- A twisted pair cable should be used. Maximum length of cable is 25 m.
- Output voltage: High DC 12 V \pm 2 V, Low 0 V.
- Permissible current: 50 mA
- For details, refer to ["Setting of external input and output"](#) on page 23.
- **When indicator or other components are connected directly:**
Example: Rotary SW on External Input and Output PCB is set to "1".



- **When connecting with a device equipped with a power supply:**
Example: Rotary SW on External Input and Output PCB is set to "1".



9-3. Setting of external input and output

Switch setting		Input		Output		
Rotary switch	SW302	CN313	CN314	CN310	CN311	CN312
1	Edge	Operation/Stop	Not available	Operation/Stop	Error status	Indoor unit fan status
	Pulse	Operation	Stop			
2	Edge*	Forced thermostat off	Not available	Error status	Indoor unit fan operation status	Not available
3 to 9, A		(Setting prohibited)				
B		Forced thermostat off	Not available	Operation/Stop	Indoor unit fan operation status	Not available
C		Forced thermostat off	Not available	Operation/Stop	Error status	Not available
D		Forced thermostat off	Not available	Operation/Stop	Indoor unit fan operation status	Error status

NOTES:

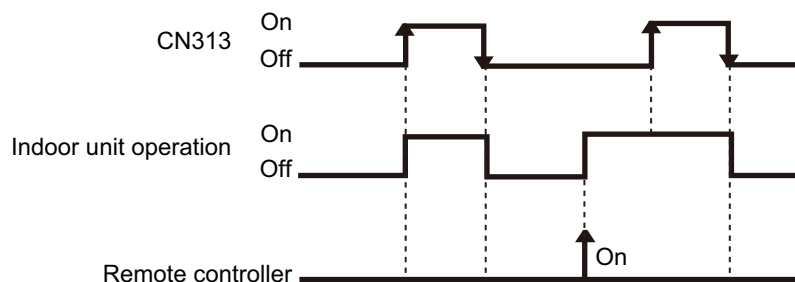
- The operation content depends on the setting of function setting number 46.
- *: The external input other than "Operation/Stop" is available only when the SW302 is set to "Edge".

9-4. Details of control input function

■ Operation/Stop mode 1

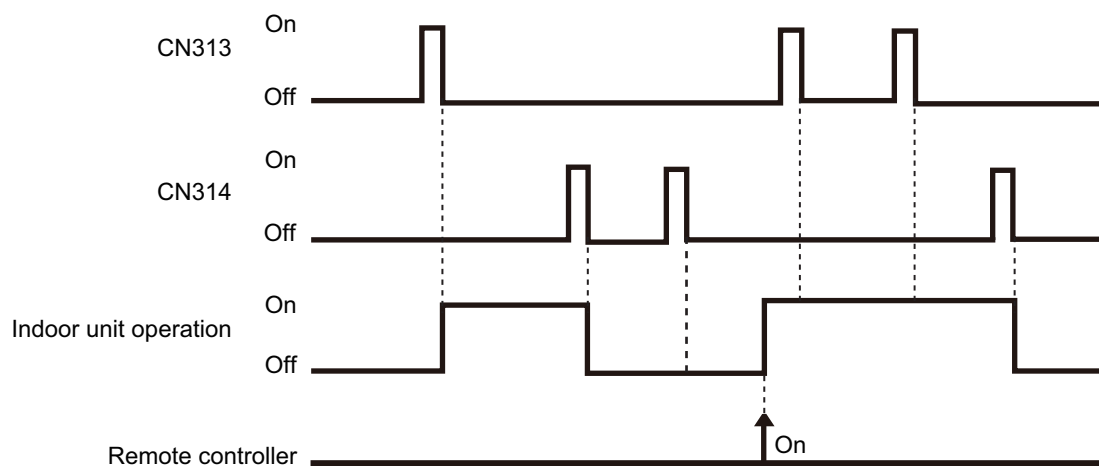
- In the case of "Edge" input

Function setting	External Input and Output PCB		External input		Input signal	Command
	Rotary switch	SW302	External Input and Output PCB	CN313		
46-00	1	Edge	External Input and Output PCB	CN313	Off → On	Operation
					On → Off	Stop



- In the case of "Pulse" input

Function setting	External Input and Output PCB		External input		Input signal	Command
	Rotary switch	SW302	External Input and Output PCB	CN313 CN314		
46-00	1	Pulse	External Input and Output PCB	CN313 CN314	Pulse	Operation
						Stop



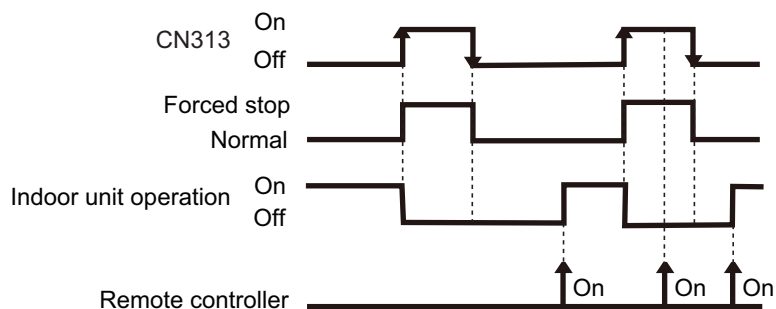
NOTES:

- The last command has priority.
- The indoor units within the same remote controller group operates in the same mode.

■ Forced stop

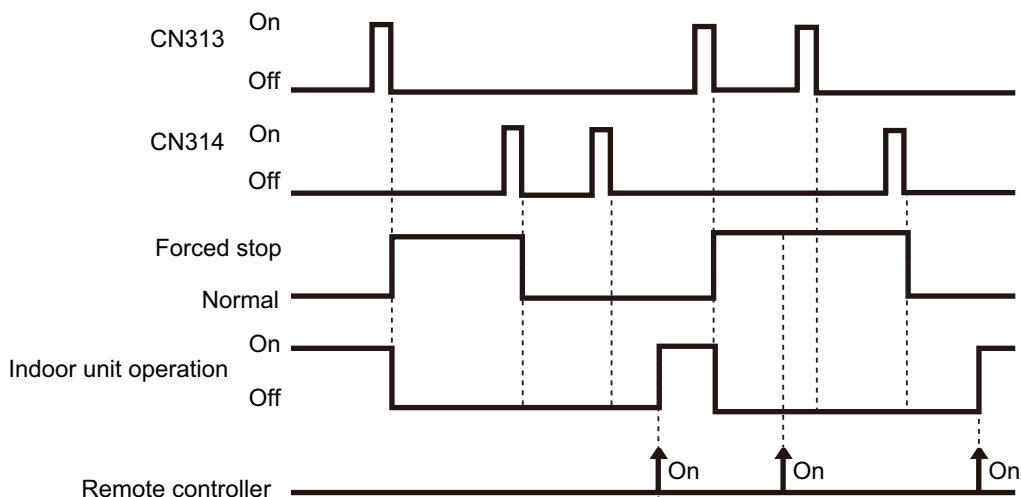
- In the case of "Edge" input

Function setting	External Input and Output PCB		External input		Input signal	Command
	Rotary switch	SW302		CN313		
46-02	1	Edge	External Input and Output PCB	CN313	Off → On	Forced stop (R.C. disabled)
					On → Off	Normal (R.C. enabled)



- In the case of "Pulse" input

Function setting	External Input and Output PCB		External input		Input signal	Command
	Rotary switch	SW302		CN313		
46-02	1	Pulse	External Input and Output PCB	CN313	Pulse	Forced stop (R.C. disabled)
				CN314		Normal (R.C. enabled)



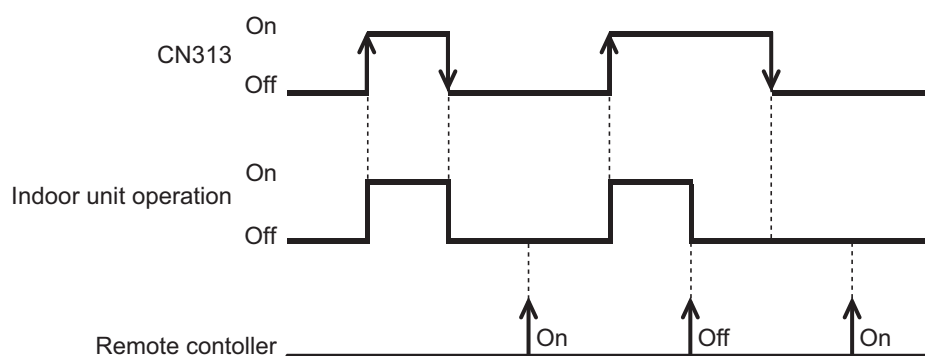
NOTES:

- When the forced stop is triggered, indoor unit stops and Operation/Stop operation by the remote controller is restricted.
- When forced stop function is used with forming a remote controller group, connect the same equipment to each indoor unit within the group.

■ Operation/Stop mode 2

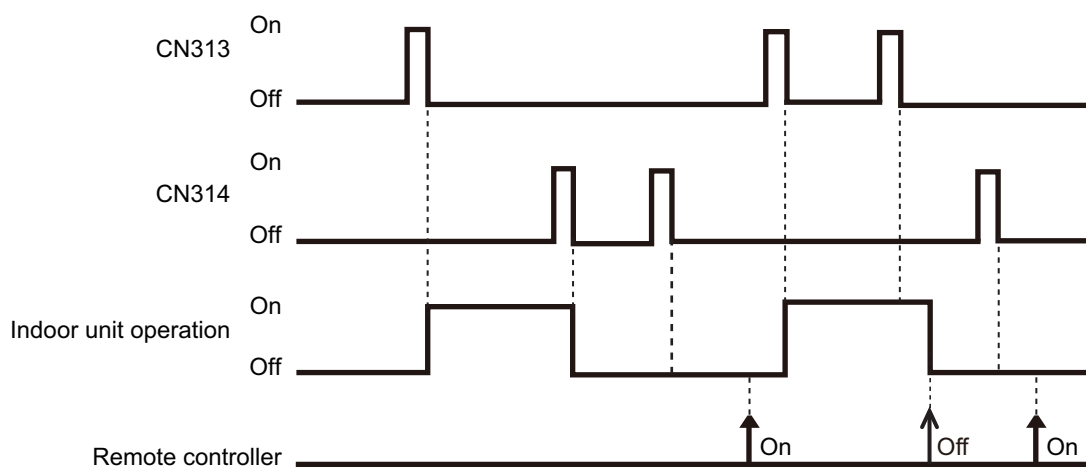
- In the case of “Edge” input

Function setting	External Input and Output PCB		External input		Input signal	Command
	Rotary switch	SW302				
46-03	1	Edge	External Input and Output PCB	CN313	Off → On	Operation (R.C. enabled)
					On → Off	Stop (R.C. disabled)



- In the case of “Pulse” input

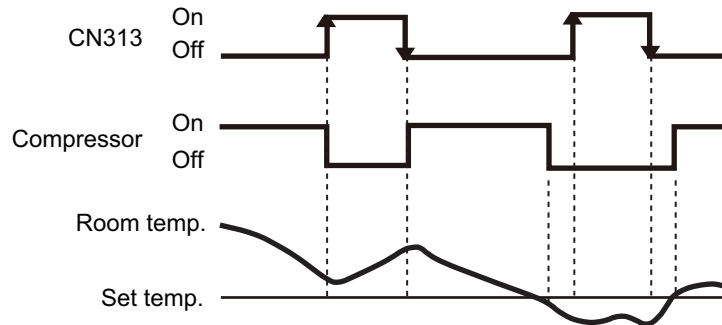
Function setting	External Input and Output PCB		External input		Input signal	Command
	Rotary switch	SW302				
46-03	1	Pulse	External Input and Output PCB	CN313	Pulse	Operation (R.C. enabled)
				CN314		Stop (R.C. disabled)



NOTE: When “Operation/Stop” mode 2 function is used with forming a remote controller group, connect the same equipment to each indoor unit within the group.

■ Forced thermostat off

External Input and Output PCB	External input		Input signal	Command
Rotary switch				
2, B, C, D	External Input and Output PCB	CN313	Off → On	Thermostat off
			On → Off	Normal operation

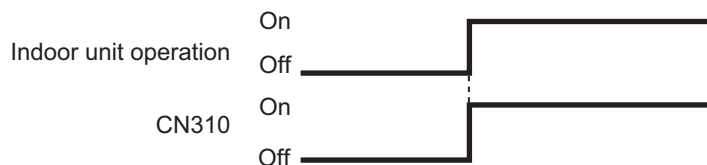


9-5. Details of control output function

■ Operation status

External Input and Output PCB	External output		Output signal	Status
Rotary switch				
1, B, C, D	External Input and Output PCB	CN310	Off → On	Operation
			On → Off	Stop

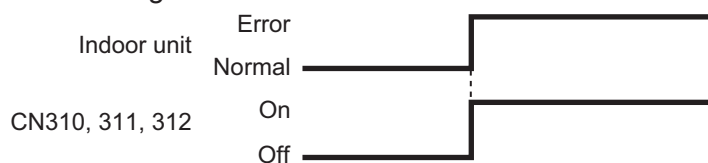
The output is low when the unit is stopped.



■ Error status

External Input and Output PCB	External output		Output signal	Status
Rotary switch				
2	External Input and Output PCB	CN310	Off → On	Error
			On → Off	Normal
1, C	External Input and Output PCB	CN311	Off → On	Error
			On → Off	Normal
D	External Input and Output PCB	CN312	Off → On	Error
			On → Off	Normal

The output is on when an error is generated for the indoor unit.



■ Indoor unit fan operation status

External Input and Output PCB	External output		Output signal	Status
Rotary switch				
2, B, D	External Input and Output PCB	CN311	Off → On	Fan run
			On → Off	Fan stop
1	External Input and Output PCB	CN312	Off → On	Fan run
			On → Off	Fan stop

Output signal	Condition
On	The indoor unit fan is operating.
Off	The fan is stopped or during cold air prevention. During thermostat off when in dry mode operation.



External heater output

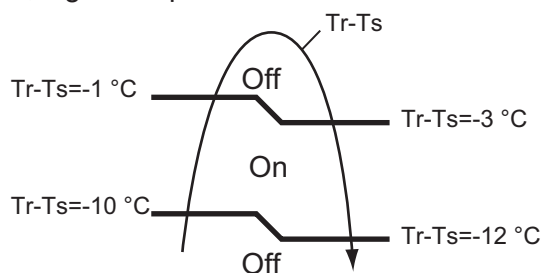
Function setting	External Input and Output PCB	External output		Output signal	Control
	Rotary switch				
60-11	—	Output of indoor unit	CN47	Off → On	Heater on
				On → Off	Heater off
—	2, B, C	External Input and Output PCB	CN312	Off → On	Heater on
				On → Off	Heater off

Output signal	Condition
Off → On	Heater turns on as shown in diagram of heating temperature
On → Off	Heater turns off as shown in diagram of heating temperature <ul style="list-style-type: none"> • Other than Heating mode • Error occurred • Forced thermo off • Fan stop protection

Specifications of the signal output performance are as shown as follows:

Example: When set temperature (T_s) is set at 22°C;

- And room temperature (T_r) increase above 12°C, signal output is on.
- And T_r increase above 21°C, signal output is off.
- And T_r decrease below 19°C, signal output is on.
- And T_r decrease below 10°C, signal output is off.



The output also turns off in defrost operation.

10. Group connection

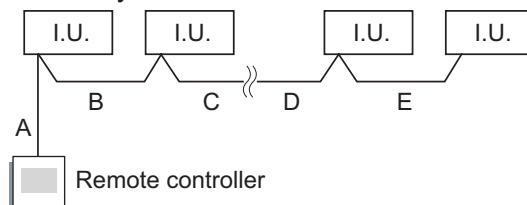
NOTE: Group control cannot be used together with Wireless LAN Adapter.

Installation procedure for group control system:

A number of indoor units can be operated at the same time using a single remote controller.

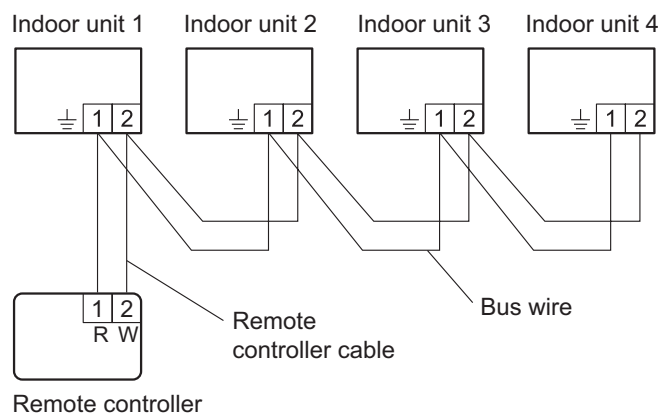
NOTE: When different type of indoor units (such as wall-mounted type and cassette type, cassette type and duct type, or other combinations) are connected using group control system, some functions may no longer be available.

1. Connect up to 16 indoor units in a system.



A, B, C, D, E: Remote controller cable	
Wiring length limitation	$A + B + C + D + E \leq 500 \text{ m}$

Example of wiring method



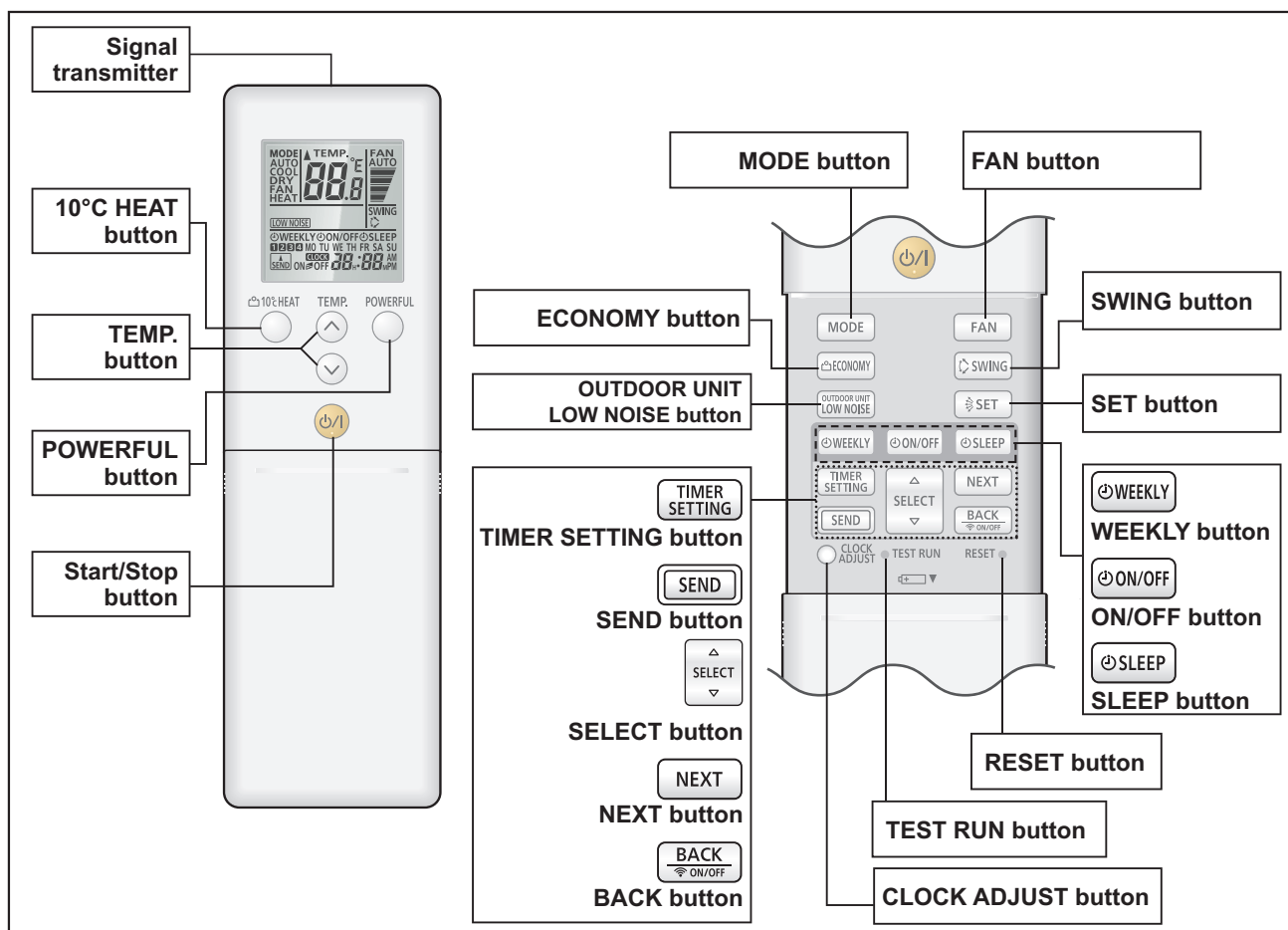
2. Automatic address setting

After the remote controller connection in the system, the automatic address setting runs in the initial starting up. Do not change the remote controller address for the indoor unit.

11. Remote controller

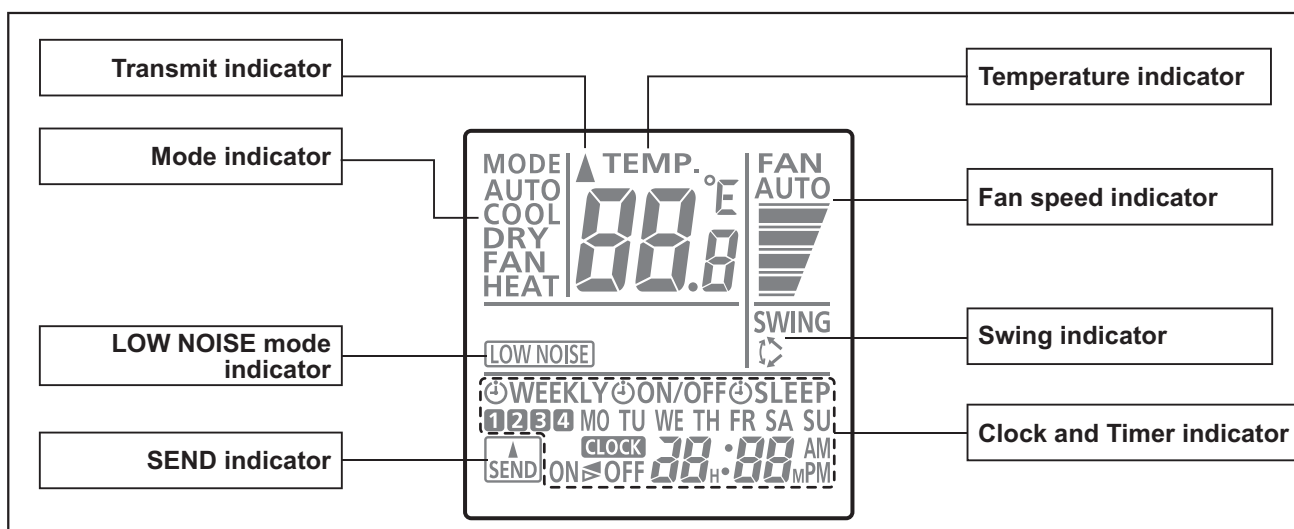
11-1. Wireless remote controller

Overview



NOTE: Functions may differ by type of the indoor unit. For details, refer to the operation manual.

Display panel

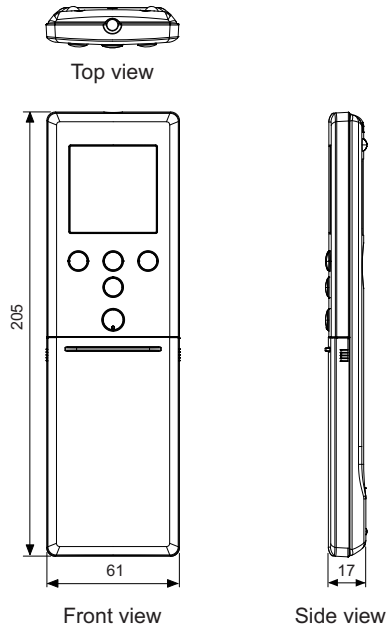


To facilitate explanation, the accompanying illustration has been drawn to show all possible indicators; in actual operation, however, the display will only show those indicators appropriate to the current operation.

Specifications

Controller

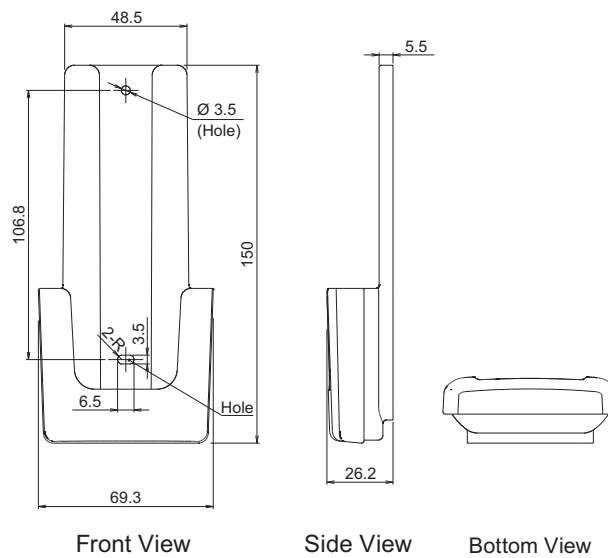
Unit: mm



Size (H × W × D)	mm	205 × 61 × 17
Weight	g	124 (without batteries)

Holder

Unit: mm



Size (H × W × D)	mm	150 × 69.3 × 26.2
Weight	g	27

12. Function settings

To adjust the functions of this product according to the installation environment, various types of function settings are available.

NOTE: Incorrect settings can cause a product malfunction.

12-1. Function settings by using remote controller

Some function settings can be changed on the remote controller. After confirming the setting procedure and the content of each function setting, select appropriate functions for your installation environment.

■ Setting procedure by using wireless remote controller

The function number and the associated setting value are displayed on the LCD of the remote controller. Follow the instructions written in the local setup procedure supplied with the remote controller, and select appropriate setting according to the installation environment.

Before connecting the power supply of the indoor unit, reconfirm following items:

- Cover for the electrical enclosure on the outdoor unit is in place.
- There is no wiring mistake.
- Piping air tightness test and vacuuming have been performed firmly.
- All the necessary wiring work for outdoor unit has been finished.

After reconfirming the items listed above, connect the power supply of the indoor unit.

NOTES:

- Settings will not be changed if invalid numbers or setting values are selected.
- When optional wired remote controller is used, refer to the installation manual enclosed with the remote controller.

Entering function setting mode:

While pressing the POWERFUL button and TEMP. (^) button simultaneously, press the RESET button to enter the function setting mode.

Selecting the function number and setting value:

1. Press the TEMP. (^) (v) buttons to select the function number. To switch between the left and right digits, press the 10 °C HEAT button.
2. Press the POWERFUL button to proceed to value setting. To return the function number selection, press the POWERFUL button again.
3. Press the TEMP. (^) (v) buttons to select the setting value. To switch between the left and right digits, press the 10 °C HEAT button.
4. Press the MODE button once. Confirm that you hear the beep sound.
5. Press the START/STOP button to fix the function setting. Confirm that you hear the beep sound.
6. Press the RESET button to end the function setting mode.
7. After completing the function setting, be sure to disconnect the power supply and then reconnect it.



⚠ CAUTION

After disconnecting the power supply, wait 30 seconds or more before reconnecting it. The function setting will not become active unless the power supply is disconnected and then reconnected.

NOTES:

- The air conditioner custom code is set to \overline{H} prior to shipment.
- If you do not know the air conditioner custom code setting, try each of the custom codes ($\overline{H} \rightarrow \overline{b}$
 $\rightarrow \overline{c} \rightarrow \overline{d}$) until you find the code that operates the air conditioner.

■ Contents of function setting

Each function setting listed in this section is adjustable in accordance with the installation environment.

NOTE: Setting will not be changed if invalid numbers or setting values are selected.

● Function setting list

	Function no.	Functions
1)	00	Remote controller address setting
2)	11	Filter sign
3)	30/31	Room temperature control for indoor unit sensor
4)	35/36	Room temperature control for wired remote controller sensor
5)	40	Auto restart
6)	42	Room temperature sensor switching
7)	43	Cold air prevention
8)	44	Remote controller custom code
9)	46	External input control
10)	48	Room temperature sensor switching (Aux.)
11)	49	Indoor unit fan control for energy saving for cooling

1) Remote controller address setting

NOTE: This setting is configurable only by wireless remote controller, but not configurable by Polar 3-wired remote controller.

Multiple indoor units can be operated by using one wired remote controller.

Set the unit number of each indoor unit.

Function number	Setting value	Setting description	Factory setting
00	00	Unit no. 0	◆
	01	Unit no. 1	
	02	Unit no. 2	
	03	Unit no. 3	
	04	Unit no. 4	
	05	Unit no. 5	
	06	Unit no. 6	
	07	Unit no. 7	
	08	Unit no. 8	
	09	Unit no. 9	
	10	Unit no. 10	
	11	Unit no. 11	
	12	Unit no. 12	
	13	Unit no. 13	
	14	Unit no. 14	
15	Unit no. 15		

NOTE: When different type of indoor units (such as wall mounted type and cassette type, cassette type and duct type, or other combinations) are connected using group control system, some functions may no longer be available.

2) Filter sign

Select appropriate intervals for displaying the filter sign on the indoor unit according to the estimated amount of dust in the air of the room.

If the indication is not required, select "No indication" (03).

Function number	Setting value	Setting description	Factory setting
11	00	Standard (400 hours)	
	01	Long interval (1,000 hours)	
	02	Short interval (200 hours)	
	03	No indication	◆

3) Room temperature control for indoor unit sensor

Depending on the installed environment, correction of the room temperature sensor may be required. Select the appropriate control setting according to the installed environment.

The temperature of the room temperature sensor is corrected as follows:

Corrected temp. = Temp. of the room temp. sensor - Correction temp. value

Example of correction:

When the temperature of the room temp. sensor is 26°C and the setting value is "03" (-1.0°C), corrected temp. will be 27°C (26°C - [-1.0°C]).

The temperature correction values show the difference from the Standard setting "00" (manufacturer's recommended value).

Function number		Setting value	Setting description	Factory setting	
30 (For cooling)	31 (For heating)	00	Standard setting	◆	
		01	No correction 0.0 °C		
		02	-0.5 °C	More cooling Less heating	
		03	-1.0 °C		
		04	-1.5 °C		
		05	-2.0 °C		
		06	-2.5 °C		
		07	-3.0 °C		
		08	-3.5 °C		
		09	-4.0 °C		
		10	+0.5 °C	Less cooling More heating	
		11	+1.0 °C		
		12	+1.5 °C		
		13	+2.0 °C		
		14	+2.5 °C		
		15	+3.0 °C		
		16	+3.5 °C		
17	+4.0 °C				

4) Room temperature control for wired remote controller sensor

Depending on the installed environment, correction of the wire remote temperature sensor may be required. Select the appropriate control setting according to the installed environment.

To change this setting, set Function 42 to Both "01".

Ensure that the Thermo Sensor icon is displayed on the remote controller screen.

Function number		Setting value	Setting description	Factory setting	
35 (For cooling)	36 (For heating)	00	Standard setting	◆	
		01	No correction 0.0°C		
		02	-0.5 °C	More cooling Less heating	
		03	-1.0 °C		
		04	-1.5 °C		
		05	-2.0 °C		
		06	-2.5 °C		
		07	-3.0 °C		
		08	-3.5 °C		
		09	-4.0 °C		
		10	+0.5 °C	Less cooling More heating	
		11	+1.0 °C		
		12	+1.5 °C		
		13	+2.0 °C		
		14	+2.5 °C		
		15	+3.0 °C		
		16	+3.5 °C		
17	+4.0 °C				

5) Auto restart

Enables or disables automatic restart after a power interruption.

Function number	Setting value	Setting description	Factory setting
40	00	Enable	◆
	01	Disable	

NOTE: Auto restart is an emergency function such as for power outage etc. Do not attempt to use this function in normal operation. Be sure to operate the unit by remote controller or external device.

6) Room temperature sensor switching

(Only for wired remote controller)

When using the wired remote controller temperature sensor, change the setting to "Both" (01).

Function number	Setting value	Setting description	Factory setting
42	00	Indoor unit	◆
	01	Both	

00: Sensor on the indoor unit is active.

01: Sensors on both indoor unit and wired remote controller are active.

NOTE: Remote controller sensor must be turned on by using the remote controller.

7) Cold air prevention

This setting is to disable the cold air prevention function during heating operation. When disabled, the fan setting will always follow the setting on the remote controller. (Excluding defrost mode)

Function number	Setting value	Setting description	Factory setting
43	00	Enable	◆
	01	Disable	

NOTE: The customer may feel the cold air at the time heating operation starts, and at the time outdoor unit recovers from defrosting operation if the "Cold air prevention control" is disabled by the local function setting.

8) Remote controller custom code

(Only for wireless remote controller)

The indoor unit custom code can be changed. Select the appropriate custom code.

Function number	Setting value	Setting description	Factory setting
44	00	A	◆
	01	B	
	02	C	
	03	D	

9) External input control

"Operation/Stop" mode or "Forced stop" mode can be selected.

Function number	Setting value	Setting description	Factory setting
46	00	Operation/Stop mode 1	◆
	01	(Setting prohibited)	
	02	Forced stop mode	
	03	Operation/Stop mode 2	

NOTE: If this function is necessary, the rotary switch on the External input and output PCB should be set to 1.

10) Room temperature sensor switching (Aux.)

To use the temperature sensor on the wired remote controller only, change the setting to "Wired remote controller" (01).

This function will only work if the function setting 42 is set at "Both" (01).

When the setting value is set to "Both" (00), more suitable control of the room temperature is possible by setting function setting 30 and 31 too.

Function number	Setting value	Setting description	Factory setting
48	00	Both	◆
	01	Wired remote controller	

11) Indoor unit fan control for energy saving for cooling

Enables or disables the power-saving function by controlling the indoor unit fan rotation when the outdoor unit is stopped during cooling operation.

Function number	Setting value	Setting description	Factory setting
49	00	Disable	
	01	Enable	
	02	Remote controller	◆

00: When the outdoor unit is stopped, the indoor unit fan operates continuously following the setting on the remote controller.

01: When the outdoor unit is stopped, the indoor unit fan operates intermittently at a very low speed.

02: Enable or disable this function by remote controller setting.

NOTE: Set to "00" or "01" when connecting a remote controller that cannot set the Fan control for energy saving function or connecting a network converter. To confirm if the remote controller has this setting, refer to the operating manual of each remote controller.

12-2. Custom code setting for wireless remote controller

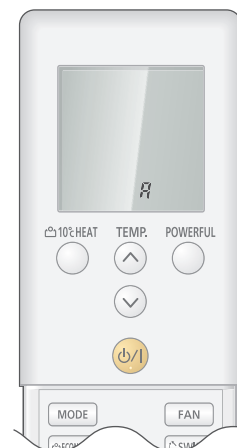
To interconnect the air conditioner and the wireless remote controller, assignment of the custom code for the wireless remote controller is required.

NOTE: Air conditioner cannot receive a signal if the air conditioner has not been set for the custom code.

When 2 or more air conditioners are installed in a room, and the remote controller is operating an air conditioner other than the one you wish to set, change the custom code of the remote controller to operate only the air conditioner you wish to set. (4 selections possible.)

Confirm the setting of the remote controller custom code and the function setting. If these do not match, the remote controller cannot be used to operate for the air conditioner.

1. Press the START/STOP button until only the clock is displayed on the remote controller display.
2. Press the MODE button for at least 5 seconds to display the current custom code. (Initially set to A .)
3. Press the TEMP. (\wedge) (\vee) buttons to change the custom code between $\text{A} \rightarrow \text{b} \rightarrow \text{c} \rightarrow \text{d}$. Match the code on the display to the air conditioner custom code. (Initially set to A .)
4. Press the MODE button again to return to the clock display. The custom code will be changed.


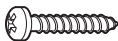


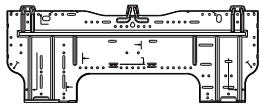




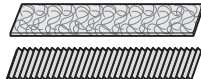



NOTES:

- If no button is pressed within 30 seconds after the custom code is displayed, the system returns to the original clock indicator. In this case, start again from step 1.
- The air conditioner custom code is set to A prior to shipment. To change the custom code, contact your retailer.
- If you do not know the assigned code for the air conditioner, try each of the custom code ($\text{A} \rightarrow \text{b} \rightarrow \text{c} \rightarrow \text{d}$) until you find the code which operates the air conditioner.

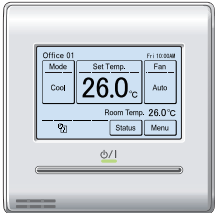
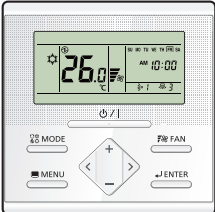

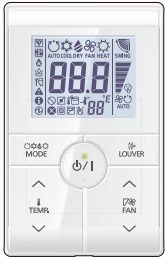
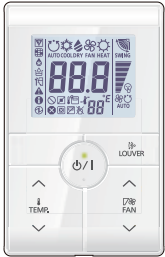
13. Accessories

13-1. Models: ASYG09KMCEN, ASYG12KMCEN, and ASYG14KMCEN

Part name	Exterior	Qty	Part name	Exterior	Qty
Operation manual		1	Tapping screw (large)		5
Installation manual		1	Tapping screw (small)		2
Wall hook bracket		1	Cloth tape		1
Remote controller		1	Filter holder		2
Remote controller holder		1	Air cleaning filters		1
Battery		2			

14. Optional parts

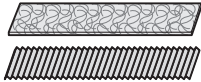
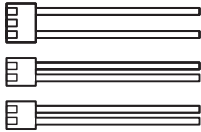

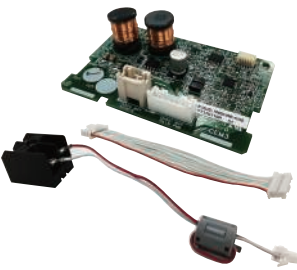



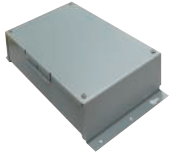

14-1. Controllers

Exterior	Part name	Model name	Summary
	Wired Remote Controller	UTY-RNRYZ*	Easy finger touch operation with LCD panel. Backlit LCD enables easy operation in a dark room. Wire type: Non-polar 2-wire Optional Communication Kit is necessary for installation.
	Wired Remote Controller	UTY-RLRY	High visibility and easy operation. Room temperature can be accurately controlled using the thermo sensor. Wire type: Non-polar 2-wire Optional Communication Kit is necessary for installation.
	Compact Wired Remote Controller	UTY-RCRYZ1	Compact body and easy operation. Room temperature can be accurately controlled using the thermo sensor. Wire type: Non-polar 2-wire Optional Communication Kit is necessary for installation.
	Simple Remote Controller	UTY-RSRY	Compact remote controller concentrates on the basic functions such as Start/Stop, fan control, temperature setting, and operation mode. Wire type: Non-polar 2-wire Optional Communication Kit is necessary for installation.
	Simple Remote Controller	UTY-RHRY	Compact remote controller concentrates on the basic functions such as Start/Stop, fan control, and temperature setting. Wire type: Non-polar 2-wire Optional Communication Kit is necessary for installation.

NOTES:

- Available functions may differ by the remote controller. For details, refer to the operation manual.
- When using the group controlling system of the Wired Remote Controller, using Wireless LAN Adapter is prohibited.

14-2. Others

Exterior	Part name	Model name	Summary
	Air Cleaning Filter	UTR-FA16-5	Air Cleaning Filter can be mounted to the indoor unit.
	External Connect Kit	UTY-XWZXZ5	Required when external device is connected. Connecting point: CN6 on Main PCB
	External Input and Output PCB	UTY-XCSXZ2	Use to connect with external devices and air conditioner PCB. Optional External Connect Kit is necessary for installation. Connecting point: CN6 on Main PCB
	Communication Kit	UTY-TWRXZ2	Use to connect Non-polar 2-core wired remote controller.
	Modbus Converter	UTY-VMSX	For connection between indoor unit with UART interface and a Modbus open network. Connecting point: CN6 on Main PCB
	KNX Converter	UTY-VKSX	For connection between indoor unit with UART interface and a KNX open network. Connecting point: CN6 on Main PCB
	Network Converter	UTY-VTGX	This converter is required when connecting single split system to VRF network system. Connecting point: CN6 on Main PCB
	Network Converter (AC power supply)	UTY-VTGXV	This converter is required when connecting single split system to VRF network system. Connecting point: CN6 on Main PCB
	External Switch Controller	UTY-TERX	Air conditioner switching can be controlled by connecting other external sensor switches. Connecting point: CN6 on Main PCB

NOTE: Combined use of following optional parts and Wireless LAN Adapter is not allowed.

- External Input and Output PCB
- Modbus Converter
- KNX Converter
- Network Converter
- Network Converter (AC power supply)
- External Switch Controller

Part 2. OUTDOOR UNIT

SINGLE TYPE:

AOYG09KMCEN

AOYG12KMCEN

AOYG14KMCEN

1. Specifications

OUTDOOR UNIT
AOYG09-14KMCEN

OUTDOOR UNIT
AOYG09-14KMCEN

Type			Inverter, Heat pump		
Model name			AOYG09KMCEN	AOYG12KMCEN	AOYG14KMCEN
Power supply			230 V~ 50 Hz		
Power supply intake			Outdoor unit		
Available voltage range			198—264 V		
Starting current			A	3.3	4.3
Fan	Airflow rate	Cooling	m ³ /h	1,770	2,210
		Heating		1,313	1,335
	Type × Qty		Propeller fan × 1		
	Motor output		W	23	49
Sound pressure level *	Cooling	dB (A)	48		49
			Heating	43	
Sound power level	Cooling	dB (A)	59		61
			Heating	56	
Heat exchanger type	Dimensions (H × W × D)		mm	Main 1: 504 × 881 × 18.19	Main 1: 588 × 881 × 18.19
	Main 2: 504 × 851 × 18.19			Main 2: 588 × 851 × 18.19	Main 2: 672 × 881 × 18.19
	Fin pitch		1.3		
	Rows × Stages		Main 1: 1 × 24	Main 1: 1 × 28	Main 1: 1 × 32
	Main 2: 1 × 24		Main 2: 1 × 28	Main 2: 1 × 32	
	Pipe type		Copper		
Fin type	Type (Material)		Aluminum		
	Surface treatment		PC fin		
Compressor	Type		DC twin rotary		
	Motor output		W	810	900
Refrigerant	Type (Global warming potential)		R32 (675)		
	Charge		g	850	940
Refrigerant oil	Type		FW68S		RmM68AF
	Amount		cm ³	350	400
Enclosure	Material		Steel sheet		
	Color		Beige		
Dimensions (H × W × D)	Net		mm	542 × 799 × 290	632 × 799 × 290
	Gross			602 × 940 × 375	692 × 940 × 375
Weight	Net		kg	33	36
	Gross			37	41
Connection pipe	Size	Liquid	mm (in)	Ø6.35 (Ø1/4)	
		Gas		Ø9.52 (Ø3/8)	
	Method		Flare		
	Pre-charge length		m	15	
	Max. length			20	
	Max. height difference			15	
Additional charge		g/m	20		
Operation range	Cooling		°C	-10 to 43	
	Heating			-25 to 24	
NOTES:					
<ul style="list-style-type: none"> • Specifications are based on the following conditions: <ul style="list-style-type: none"> – Cooling: Indoor temperature of 27°CDB/19°CWB, and outdoor temperature of 35°CDB/24°CWB. – Heating: Indoor temperature of 20°CDB/15°CWB, and outdoor temperature of 7°CDB/6°CWB. – Pipe length: 5 m, Height difference: 0 m. • Protective function might work when using it outside the operation range. • *: Sound pressure level <ul style="list-style-type: none"> – Measured values in manufacturer's anechoic chamber. – Because of the surrounding sound environment, the sound levels measured in actual installation conditions might be higher than the specified values here. 					

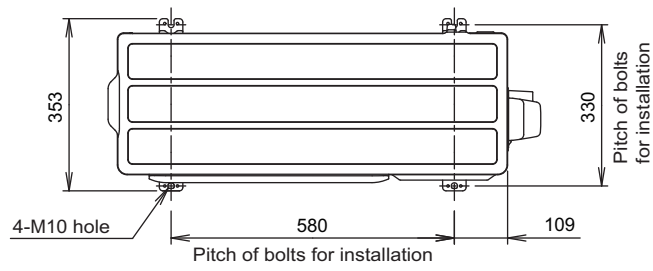
2. Dimensions

2-1. Model: AOYG09KMCEN

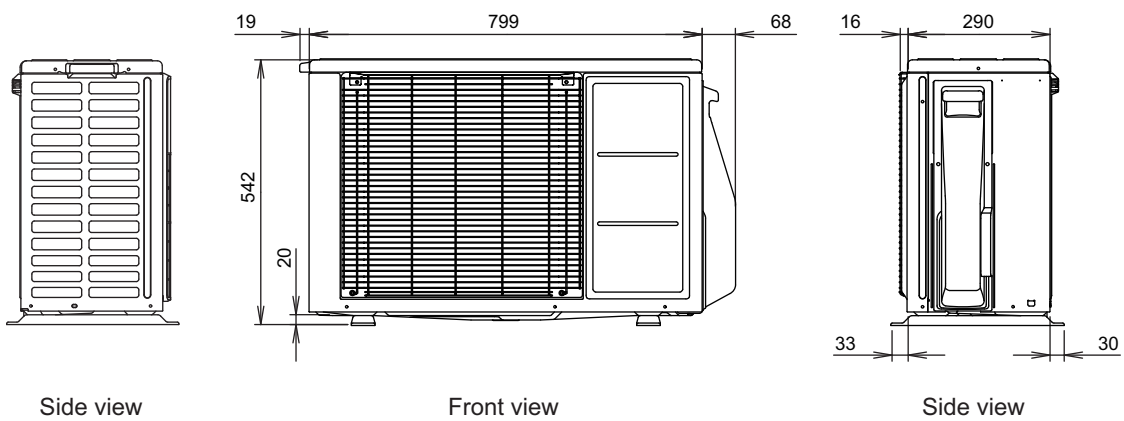
Unit: mm

OUTDOOR UNIT
AOYG09-14KMCEN

OUTDOOR UNIT
AOYG09-14KMCEN



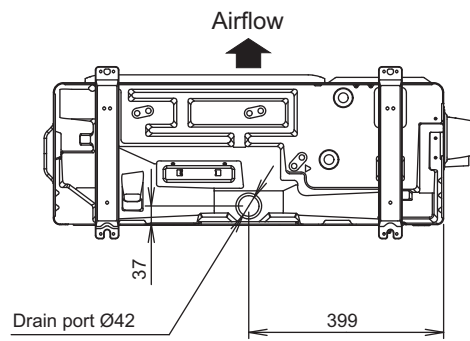
Top view



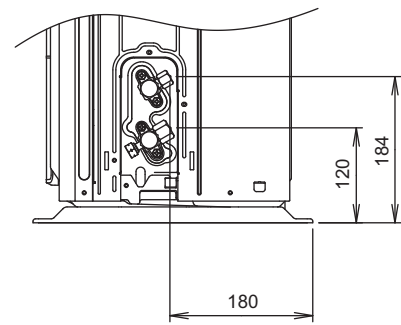
Side view

Front view

Side view



Bottom view



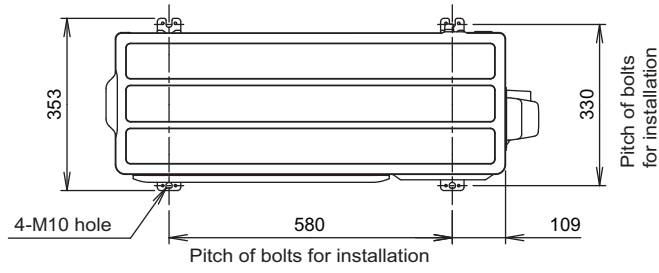
Side view (Valve part)

2-2. Model: AOYG12KMCEN

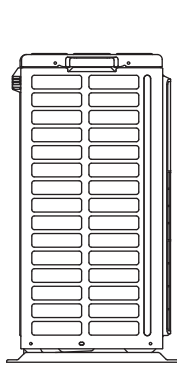
Unit: mm

OUTDOOR UNIT
AOYG09-14KMCEN

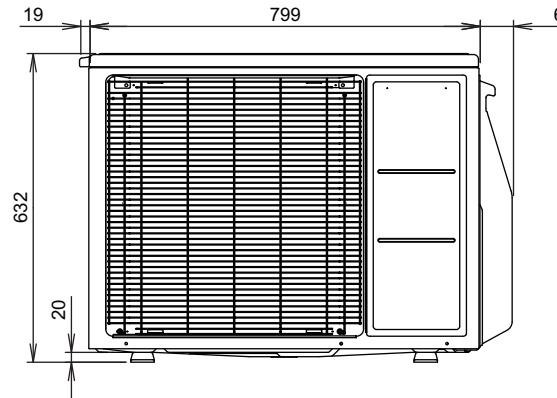
OUTDOOR UNIT
AOYG09-14KMCEN



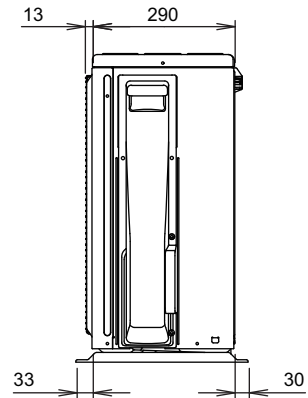
Top view



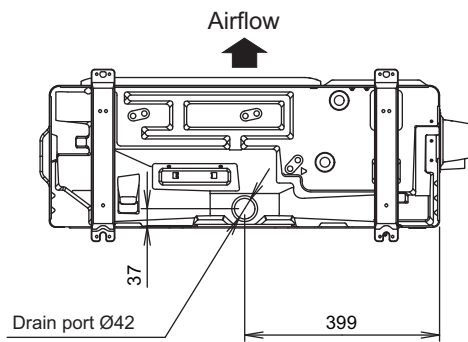
Side view



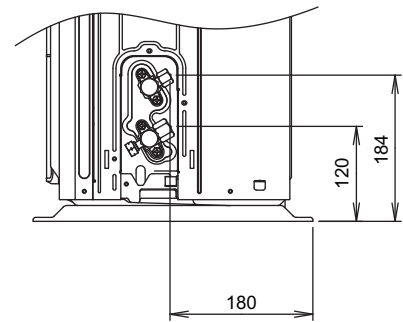
Front view



Side view



Bottom view



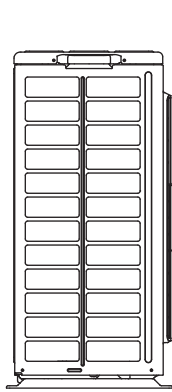
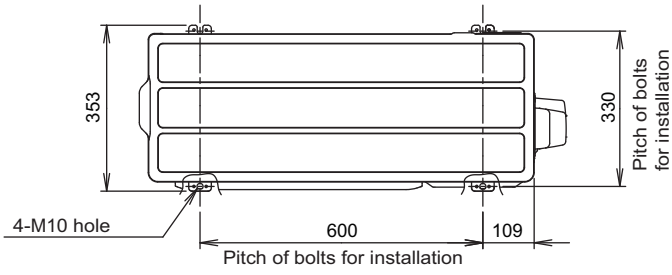
Side view (Valve part)

2-3. Model: AOYG14KMCEN

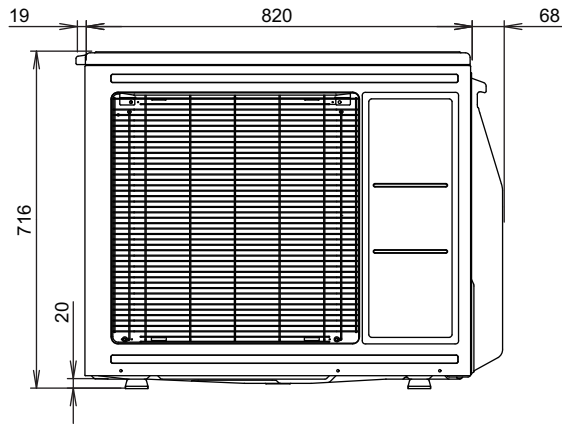
Unit: mm

OUTDOOR UNIT
AOYG09-14KMCEN

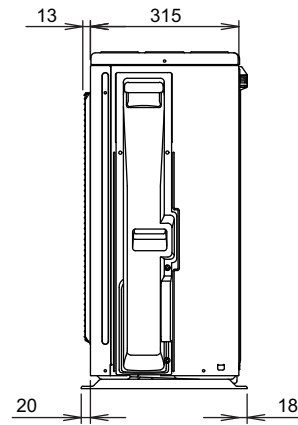
OUTDOOR UNIT
AOYG09-14KMCEN



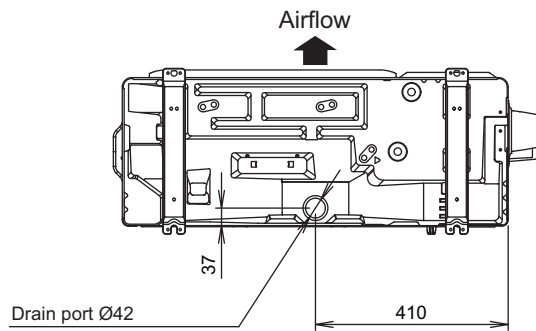
Side view



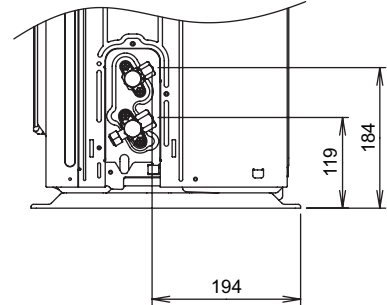
Front view



Side view



Bottom view



Side view (Valve part)

3. Installation space

3-1. Models: AOYG09KMCEN, AOYG12KMCEN, and AOYG14KMCEN

■ Space requirement

Provide sufficient installation space for product safety.

⚠ CAUTION

Keep the space shown in the installation examples.

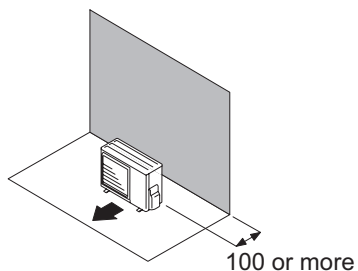
If the installation is not performed accordingly, it could cause a short circuit and result in a lack of operating performance.

● Single outdoor unit installation

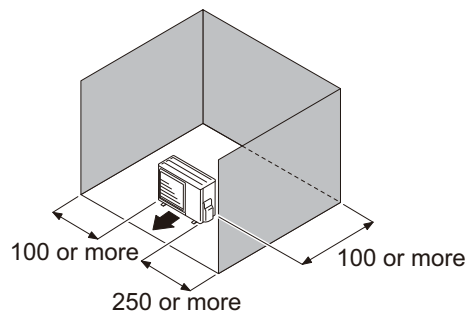
- When the upper space is open:

Unit: mm

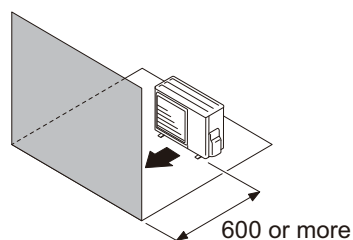
Obstacles at rear only



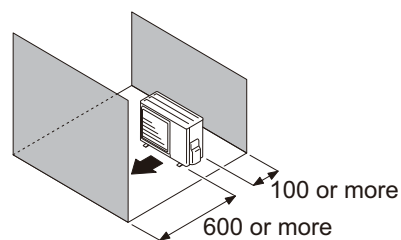
Obstacles at rear and sides



Obstacles at front



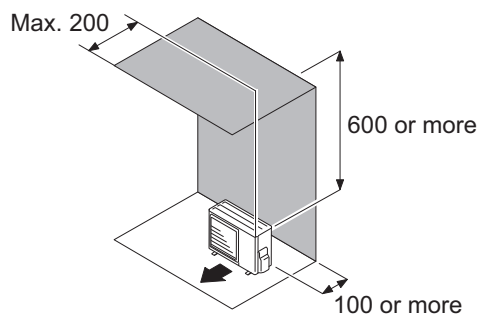
Obstacles at front and rear



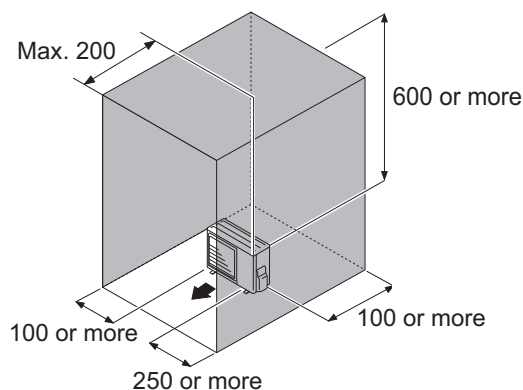
- When an obstruction in the upper space:

Unit: mm

Obstacles at rear and above



Obstacles at rear, sides, and above



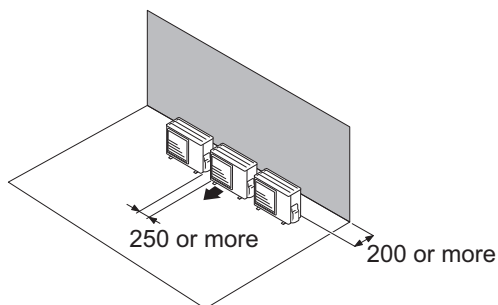
● Multiple outdoor unit installation

- Provide at least 250 mm of space between the outdoor units if multiple units are installed.
- When routing the piping from the side of an outdoor unit, provide space for piping.
- No more than 3 units must be installed side by side.
When 4 units or more are arranged in a line, provide the space as shown in the following example “**When an obstruction in the upper space:**”.

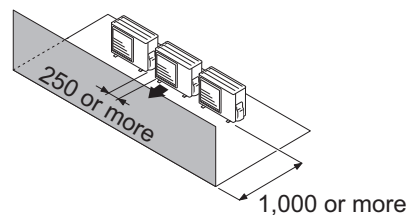
- **When the upper space is open:**

Unit: mm

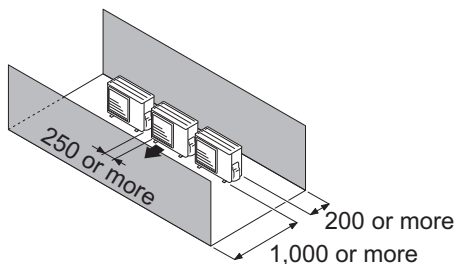
Obstacles at rear only



Obstacles at front only



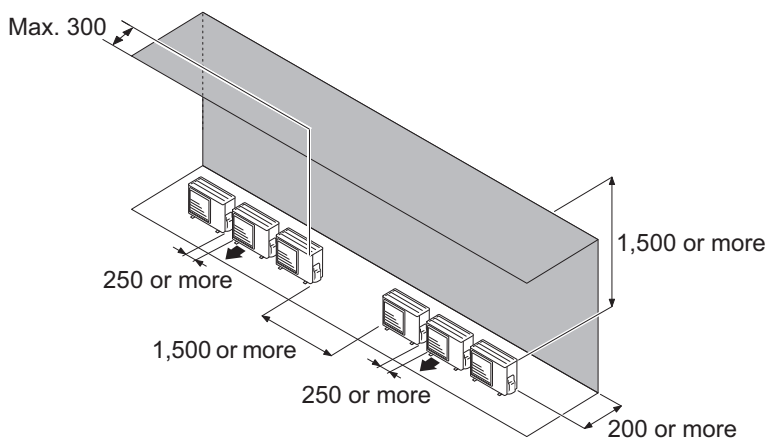
Obstacles at front and rear



- **When an obstruction in the upper space:**

Unit: mm

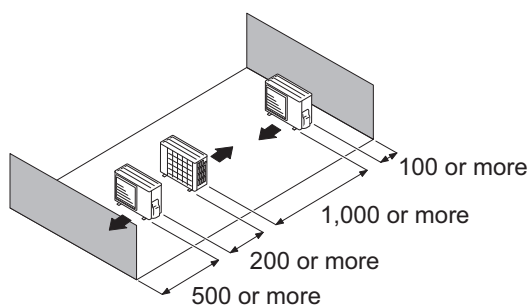
Obstacles at rear and above.



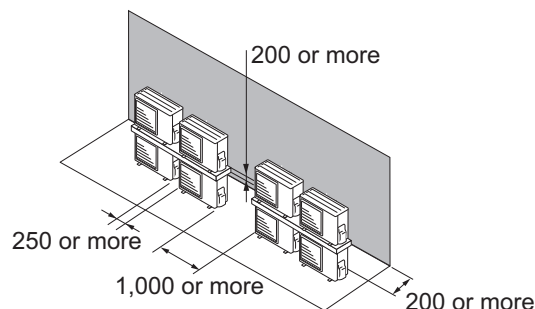
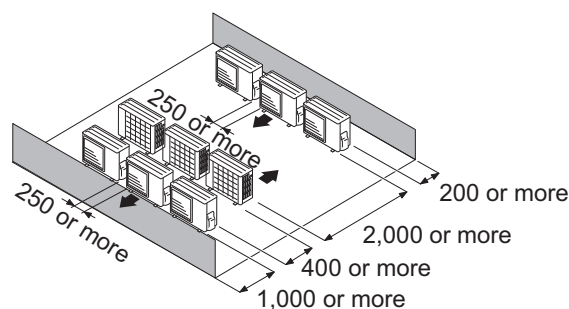
● Outdoor units installation in multi-row

Unit: mm

Single parallel unit arrangement



Multiple parallel unit arrangement

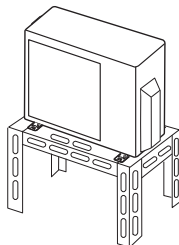


NOTES:

- If the space is larger than stated above, the condition will be the same as when there is no obstacle.
- When installing the outdoor unit, be sure to open the front and left side to obtain better operation efficiency.

⚠ CAUTION

- Do not install the outdoor unit in two-stage where the drain water could freeze. Otherwise the drainage from the upper unit may form ice and cause a malfunction of the lower unit.
- When the outdoor temperature is 0 °C or less, do not use the accessory drain pipe and drain cap. If the drain pipe and drain cap are used, the drain water in the pipe may freeze in extremely cold climate. (For reverse cycle model only.)
- In area with heavy snowfall, if the inlet and outlet of the outdoor unit is blocked with snow, it might become difficult to get warm, and it is likely to cause product malfunction. Construct a canopy and a pedestal, or place the unit on a high stand that is locally installed.

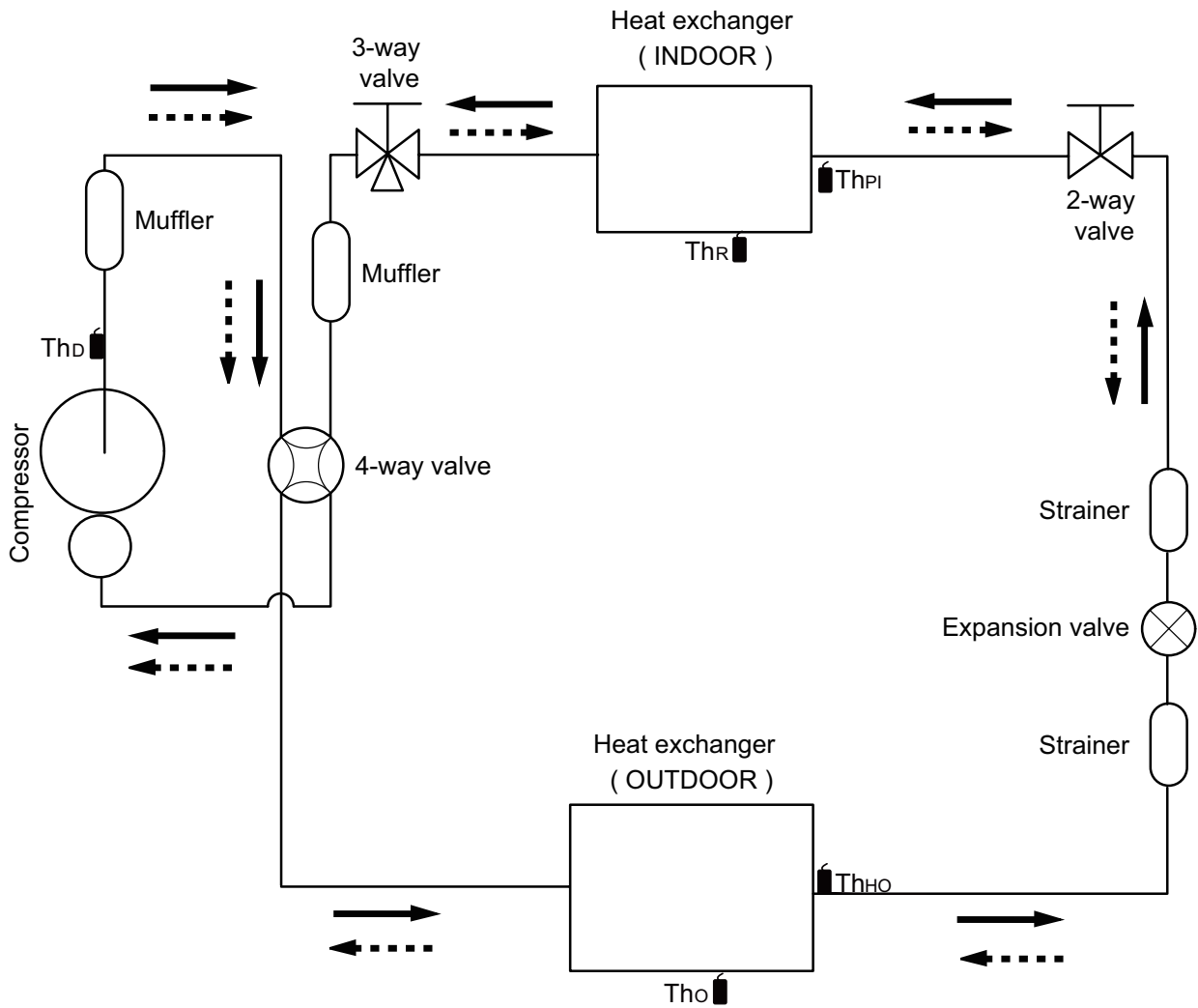


4. Refrigerant circuit

4-1. Models: AOYG09KMCEN and AOYG12KMCEN

OUTDOOR UNIT
AOYG09-14KMCEN

OUTDOOR UNIT
AOYG09-14KMCEN



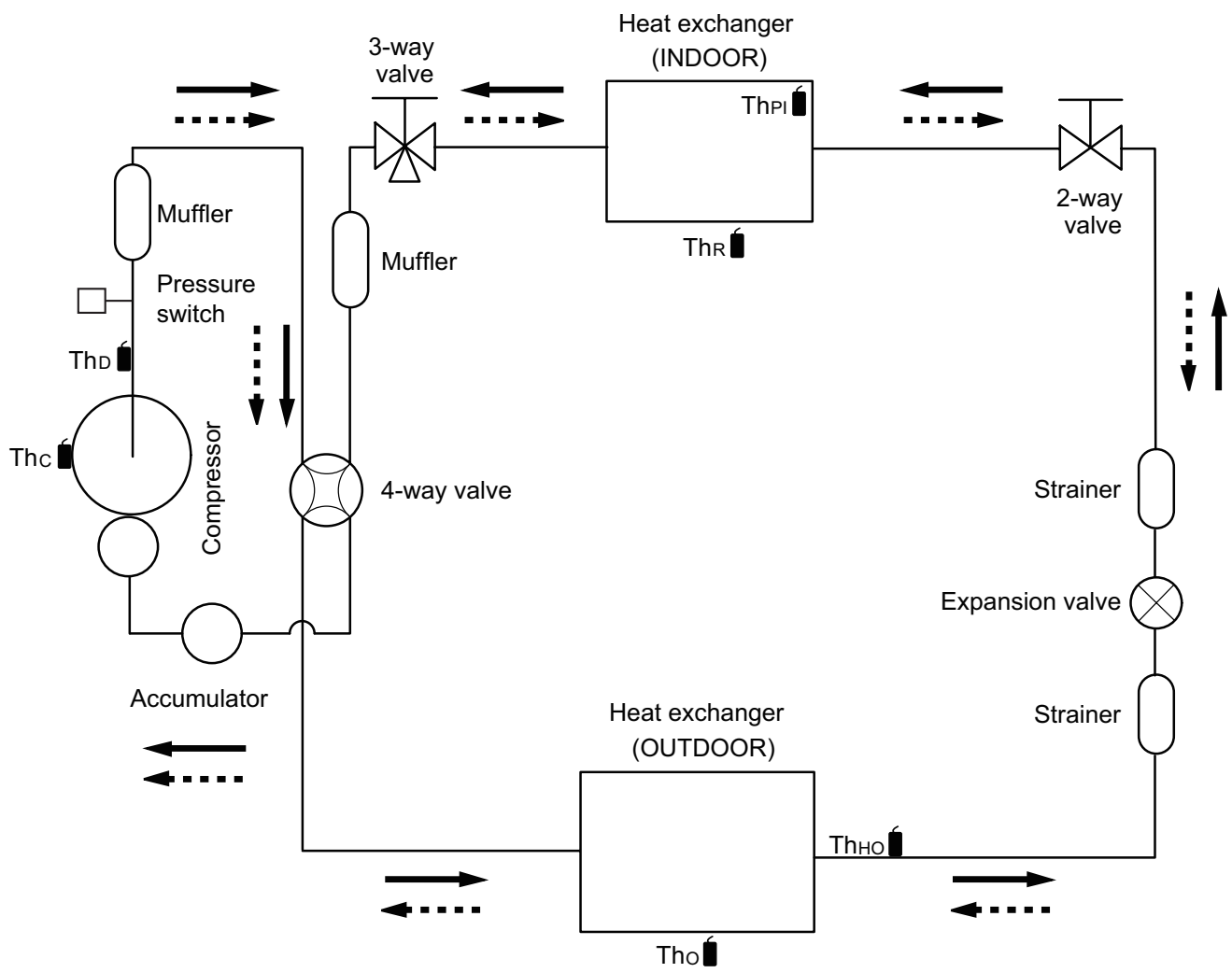
Cooling
 Heating

- Th_D : Thermistor (Discharge temp.)
- Th_O : Thermistor (Outdoor temp.)
- Th_{HO} : Thermistor (Heat exchanger out temp.)
- Th_{PI} : Thermistor (Pipe temp.)
- Th_R : Thermistor (Room temp.)

4-2. Model: AOYG14KMCEN

OUTDOOR UNIT
AOYG09-14KMCEN

OUTDOOR UNIT
AOYG09-14KMCEN



Cooling
 Heating

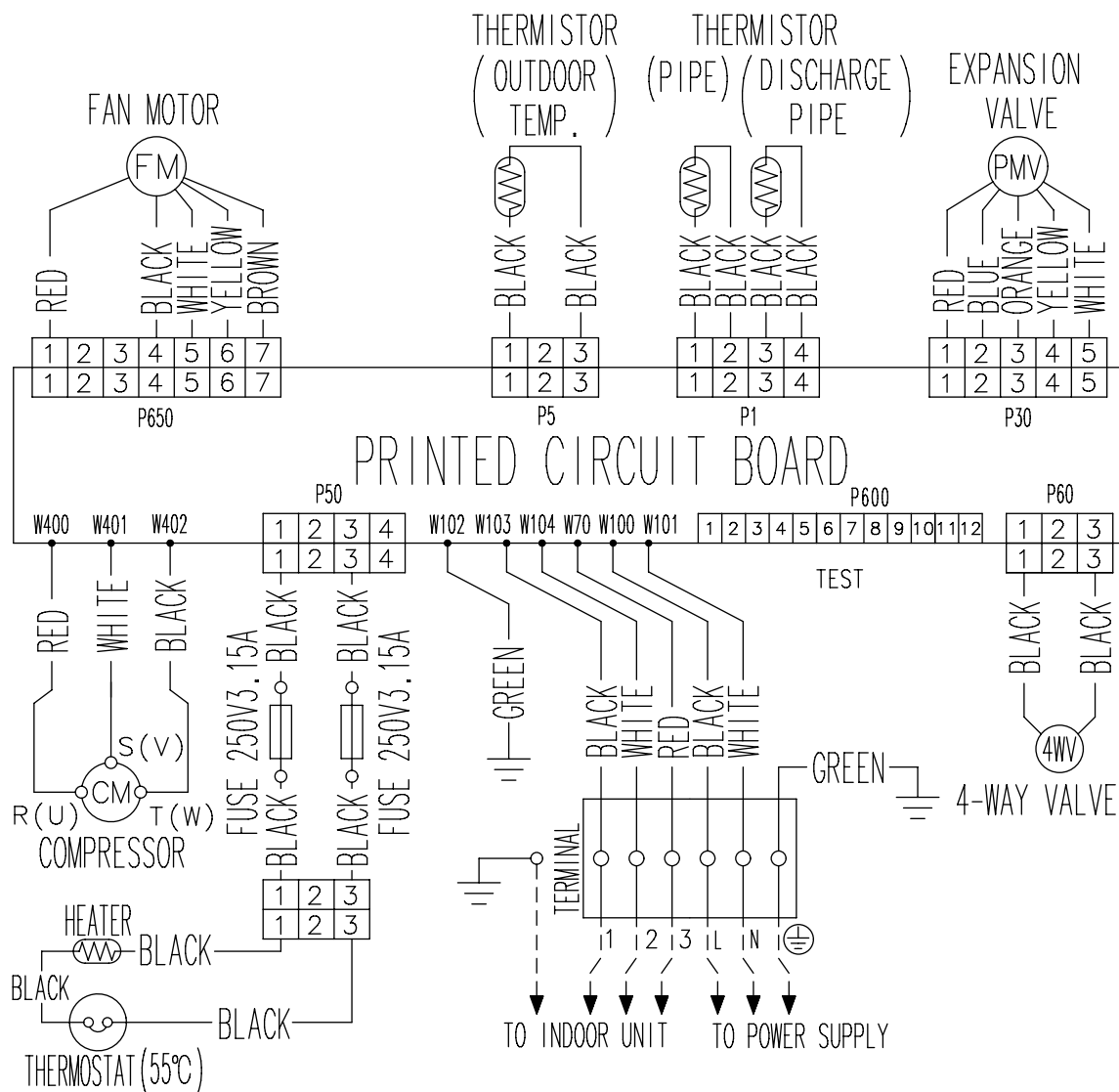
- Th_c : Thermistor (Compressor temperature)
- Th_d : Thermistor (Discharge temperature)
- Th_o : Thermistor (Outdoor temperature)
- Th_{Ho} : Thermistor (Heat exchanger out temperature)
- Th_{PI} : Thermistor (Pipe temperature)
- Th_R : Thermistor (Room temperature)

5. Wiring diagrams

5-1. Models: AOYG09KMCEN and AOYG12KMCEN

OUTDOOR UNIT
AOYG09-14KMCEN

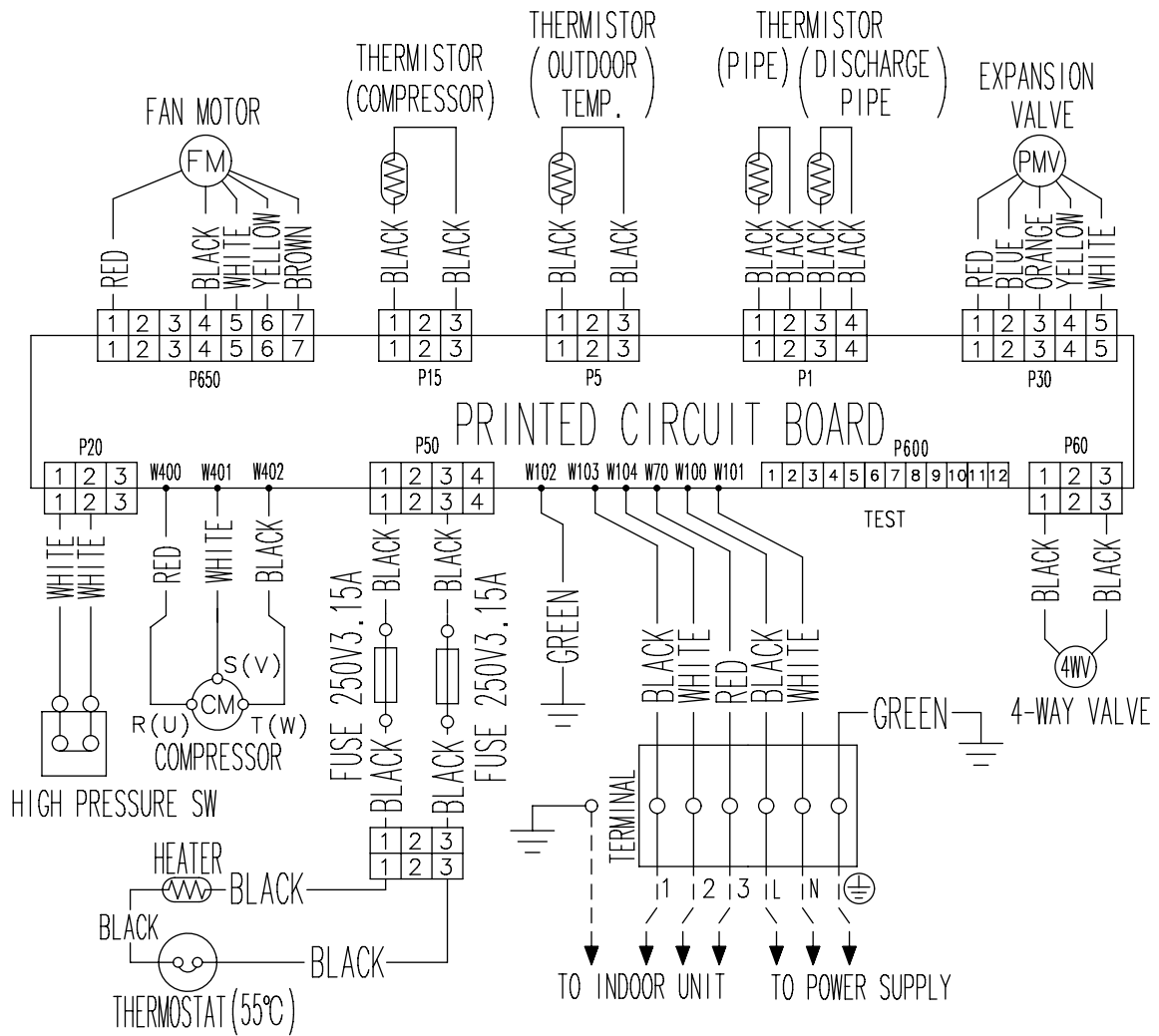
OUTDOOR UNIT
AOYG09-14KMCEN



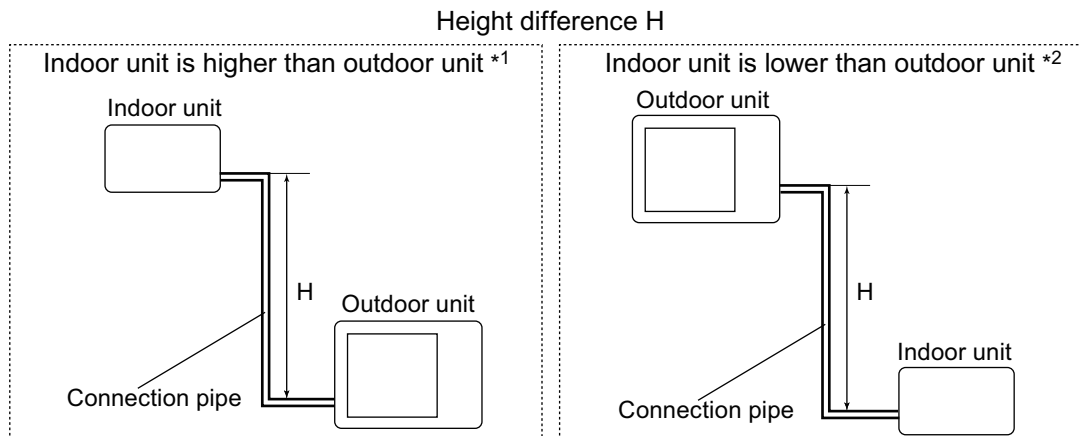
5-2. Model: AOYG14KMCEN

OUTDOOR UNIT
AOYG09-14KMCEN

OUTDOOR UNIT
AOYG09-14KMCEN



6. Capacity compensation rate for pipe length and height difference



6-1. Model: AOYG09KMCEN

NOTE: Values mentioned in the table are calculated based on the maximum capacity.

COOLING			Pipe length (m)				
			5	7.5	10	15	20
Height difference H (m)	Indoor unit is higher than outdoor unit *1	15	—	—	—	0.904	0.879
		10	—	—	0.951	0.919	0.879
		7.5	—	0.972	0.955	0.923	0.893
		5	0.992	0.975	0.959	0.925	0.897
	Indoor unit is lower than outdoor unit *2	0	1.000	0.983	0.967	0.933	0.901
		-5	1.000	0.983	0.967	0.933	0.908
		-7.5	—	0.983	0.967	0.933	0.908
		-10	—	—	0.967	0.933	0.908
		-15	—	—	—	0.933	0.908

HEATING			Pipe length (m)				
			5	7.5	10	15	20
Height difference H (m)	Indoor unit is higher than outdoor unit *1	15	—	—	—	0.869	0.863
		10	—	—	—	0.869	0.863
		7.5	—	0.967	0.934	0.869	0.863
		5	1.000	0.967	0.934	0.869	0.863
	Indoor unit is lower than outdoor unit *2	0	1.000	0.967	0.934	0.869	0.863
		-5	0.995	0.962	0.930	0.864	0.859
		-7.5	—	0.960	0.928	0.862	0.856
		-10	—	—	0.926	0.860	0.854
		-15	—	—	—	0.852	0.846

6-2. Model: AOYG12KMCEN

NOTE: Values mentioned in the table are calculated based on the maximum capacity.

COOLING			Pipe length (m)				
			5	7.5	10	15	20
Height difference H (m)	Indoor unit is higher than outdoor unit *1	15	—	—	—	0.939	0.925
		10	—	—	0.966	0.947	0.932
		7.5	—	0.979	0.970	0.951	0.936
		5	0.992	0.983	0.974	0.955	0.939
	Indoor unit is lower than outdoor unit *2	0	1.000	0.991	0.981	0.963	0.946
		-5	1.000	0.991	0.981	0.963	0.946
		-7.5	—	0.991	0.981	0.963	0.946
		-10	—	—	0.981	0.963	0.946
		-15	—	—	—	0.963	0.946

HEATING			Pipe length (m)				
			5	7.5	10	15	20
Height difference H (m)	Indoor unit is higher than outdoor unit *1	15	—	—	—	0.903	0.887
		10	—	—	0.952	0.903	0.887
		7.5	—	0.976	0.952	0.903	0.887
		5	1.000	0.976	0.952	0.903	0.887
	Indoor unit is lower than outdoor unit *2	0	1.000	0.976	0.952	0.903	0.887
		-5	0.995	0.971	0.947	0.899	0.883
		-7.5	—	0.969	0.945	0.897	0.881
		-10	—	—	0.942	0.894	0.879
		-15	—	—	—	0.890	0.875

6-3. Model: AOYG14KMCEN

NOTE: Values mentioned in the table are calculated based on the maximum capacity.

COOLING			Pipe length (m)				
			5	7.5	10	15	20
Height difference H (m)	Indoor unit is higher than outdoor unit *1	15	—	—	—	0.939	0.925
		10	—	—	0.966	0.947	0.932
		7.5	—	0.979	0.970	0.951	0.936
		5	0.992	0.983	0.974	0.955	0.939
	Indoor unit is lower than outdoor unit *2	0	1.000	0.991	0.981	0.963	0.946
		-5	1.000	0.991	0.981	0.963	0.946
		-7.5	—	0.991	0.981	0.963	0.946
		-10	—	—	0.981	0.963	0.946
		-15	—	—	—	0.963	0.946

HEATING			Pipe length (m)				
			5	7.5	10	15	20
Height difference H (m)	Indoor unit is higher than outdoor unit *1	15	—	—	—	0.903	0.887
		10	—	—	0.952	0.903	0.887
		7.5	—	0.976	0.952	0.903	0.887
		5	1.000	0.976	0.952	0.903	0.887
	Indoor unit is lower than outdoor unit *2	0	1.000	0.976	0.952	0.903	0.887
		-5	0.995	0.971	0.947	0.899	0.883
		-7.5	—	0.969	0.945	0.897	0.881
		-10	—	—	0.942	0.894	0.879
		-15	—	—	—	0.890	0.875

7. Additional charge calculation

7-1. Model: AOYG09KMCEN

Refrigerant type		R32
Factory charge amount	g	850

Refrigerant charge				
Total pipe length	m	15 or less	20 (Max.)	20 g/m
Additional charge amount	g	0	100	

7-2. Model: AOYG12KMCEN

Refrigerant type		R32
Factory charge amount	g	940

Refrigerant charge				
Total pipe length	m	15 or less	20 (Max.)	20 g/m
Additional charge amount	g	0	100	

7-3. Model: AOYG14KMCEN

Refrigerant type		R32
Factory charge amount	g	1,120

Refrigerant charge				
Total pipe length	m	15 or less	20 (Max.)	20 g/m
Additional charge amount	g	0	100	

8. Airflow

8-1. Model: AOYG09KMCEN

● Cooling

m ³ /h	1,770
l/s	492
CFM	1,042

● Heating

m ³ /h	1,313
l/s	365
CFM	773

8-2. Model: AOYG12KMCEN

● Cooling

m ³ /h	2,210
l/s	614
CFM	1,301

● Heating

m ³ /h	1,335
l/s	371
CFM	786

8-3. Model: AOYG14KMCEN

● Cooling

m ³ /h	2,450
l/s	681
CFM	1,442

● Heating

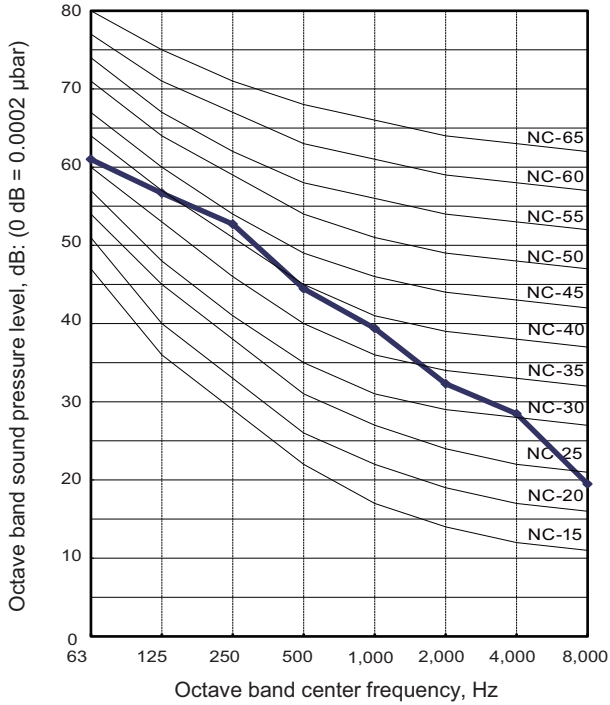
m ³ /h	2,330
l/s	647
CFM	1,371

9. Operation noise (sound pressure)

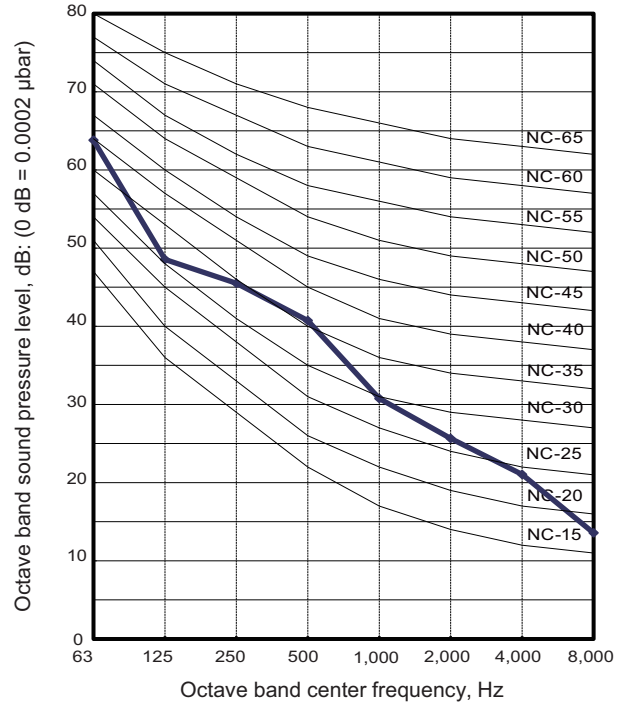
9-1. Noise level curve

Model: AOYG09KMCEN

Cooling

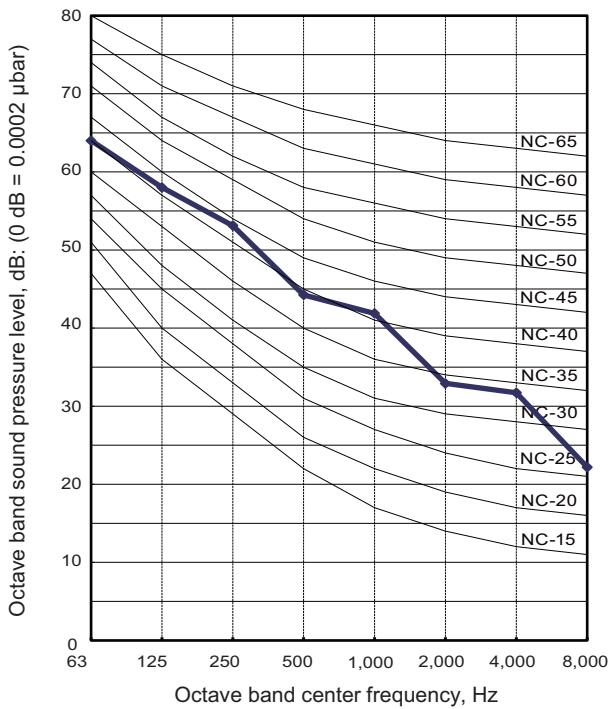


Heating

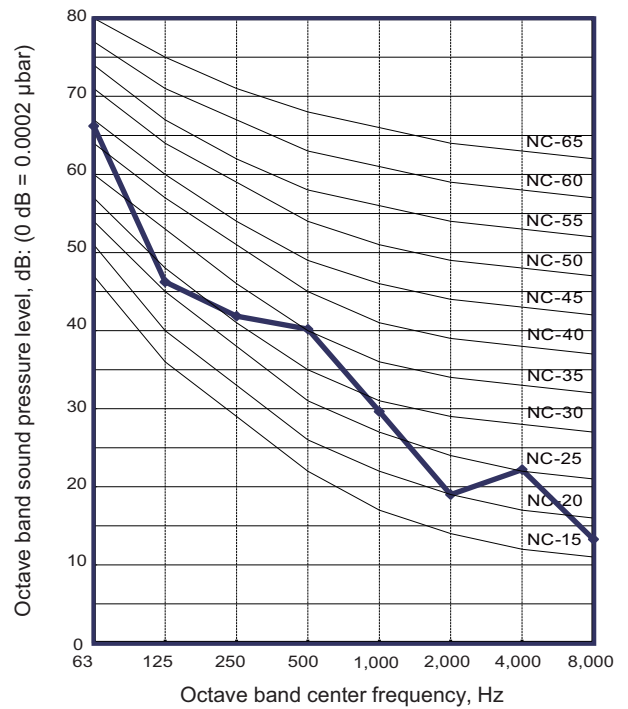


Model: AOYG12KMCEN

Cooling



Heating

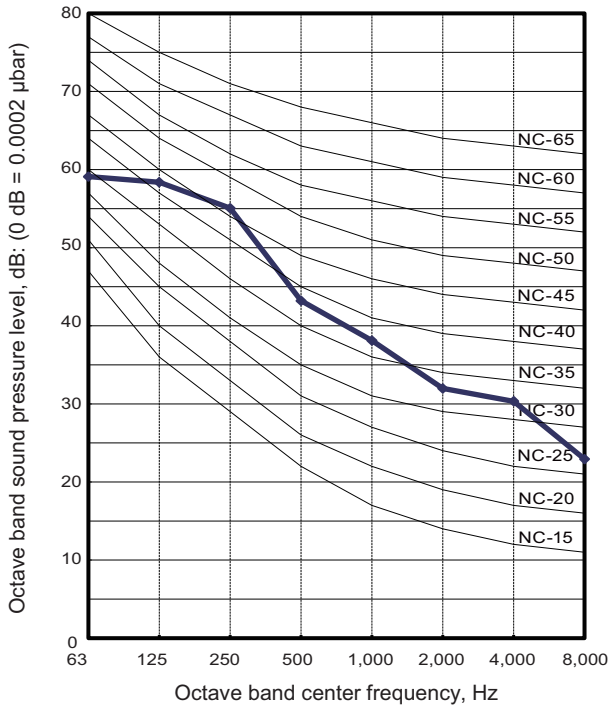


OUTDOOR UNIT
AOYG09-14KMCEN

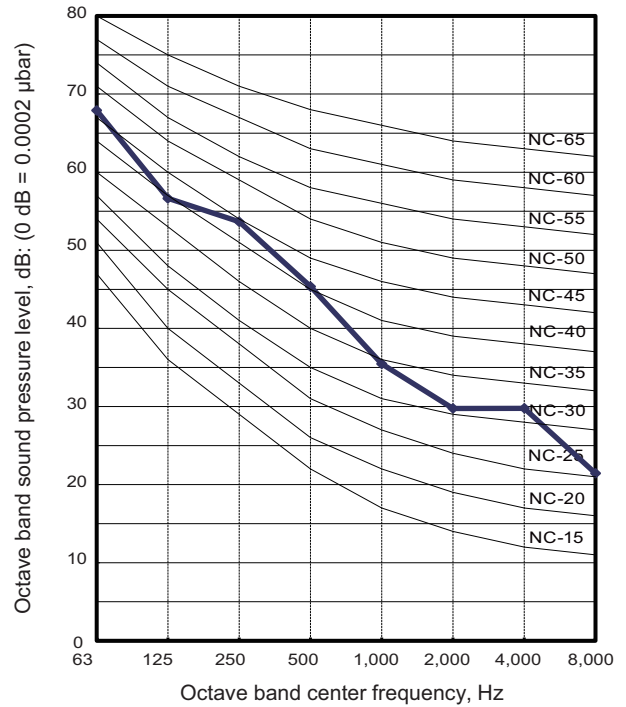
OUTDOOR UNIT
AOYG09-14KMCEN

Model: AOYG14KMCEN

● Cooling



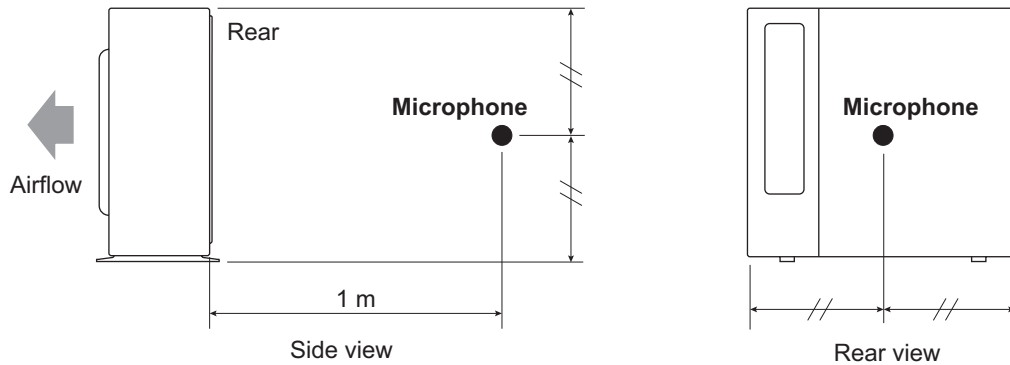
● Heating



OUTDOOR UNIT
AOYG09-14KMCEN

OUTDOOR UNIT
AOYG09-14KMCEN

9-2. Sound level check point



NOTE: Detailed shape of the actual outdoor unit might be slightly different from the one illustrated above.

10. Electrical characteristics

Model name			AOYG09KMCEN	AOYG12KMCEN	AOYG14KMCEN	
Power supply	Voltage		V	230		
	Frequency		Hz	50		
Max operating current *1			A	9.5	11.5	16.0
Starting current			A	3.3	4.3	6.2
Wiring spec. *2	Circuit breaker current		A	15		20
	Power cable		mm ²	1.5		2.5
	Connection cable *3	Cross-sectional area	mm ²	1.5		
		Limited wiring length	m	21		

*1: Maximum operating current is the total current of the indoor unit and the outdoor unit.

*2: Selected sample based on Japan Electrotechnical Standards and Codes Committee E0005. As the regulations of wire size and circuit breaker differ in each country or region, select appropriate devices complied to the regional standard.


*3: Limit voltage drop to less than 2%. If voltage drop is 2% or more, increase cable conductor size.

11. Safety devices

Type of protection	Protection form		Model		
			AOYG09KMCEN	AOYG12KMCEN	AOYG14KMCEN
Circuit protection	Current fuse (Main PCB)		250 V, 25 A		
			250 V, 5 A		
Fan motor protection	Thermal protection	Activate	103 ±18°C Fan motor stop	125 ±10°C Fan motor stop	
		Reset	95 ±18°C Fan motor restart	120 ±10°C Fan motor restart	
Compressor protection	Terminal protection program (Discharge temp.)	Activate	110°C Compressor stop		
		Reset	After 7 minutes Compressor restart		
	Thermal protection program (Outdoor temp.) (Only in COOL or DRY mode)	Activate	-15°C Compressor stop		
		Reset	-10°C Compressor restart		

12. Accessories

12-1. Models: AOYG09KMCEN, AOYG12KMCEN, and AOYG14KMCEN

Part name	Exterior	Qty	Part name	Exterior	Qty
Installation manual		1			