

SERVICE MANUAL



Indoor unit	Outdoor unit
AUXG24KRLB	AOYG24KBTB
AUXG30KRLB	AOYG30KBTB
AUXG36KRLB	AOYG36KBTB
AUXG45KRLB	AOYG45KBTB
AUXG54KRLB	AOYG54KBTB
UTG-UKYC-W	

CONTENTS

SPECIFICATIONS.....	1
DIMENSIONS.....	7
REFRIGERANT SYSTEM DIAGRAM... ..	12
INDOOR PCB CIRCUIT DIAGRAM....	14
OUTDOOR PCB CIRCUIT DIAGRAM... ..	15
ERROR DETECTION.....	18
PARTS (DECORATION PANEL).....	19
PARTS (INDOOR UNIT).....	22
PARTS (OUTDOOR UNIT).....	27
ACCESSORIES.....	43

Specifications (Indoor unit)

Type				Cassette					
				Inverter heat pump					
Model name				AUXG24KRLB	AUXG30KRLB	AUXG36KRLB			
Power supply				230 V ~ 50 Hz					
Power supply intake				Outdoor unit					
Available voltage range				198—264 V					
Capacity	Cooling	Rated	kW	6.8	8.5	9.5			
			Btu/h	23,200	29,000	32,400			
		Min.—Max.	kW	0.90—8.00	2.80—10.00	2.80—11.20			
	Heating	Rated	Btu/h	3,100—27,300	9,600—34,100	9,600—38,200			
			kW	7.5	10.0	10.8			
		Min.—Max.	Btu/h	25,600	34,100	36,850			
Input power	Cooling	Rated	kW	1.89	2.44	2.91			
				Max.	2.94	3.53	4.19		
	Heating	Rated	kW	1.90	2.51	2.45			
				Max.	2.58	4.17	4.48		
	Fan	HIGH	W	21	52	87			
				MED	16	39	52		
				LOW	13	31	39		
				QUIET	9	20	23		
	Current	Cooling	Rated	A	8.3	10.8	12.9		
		Heating			8.4	11.1	10.9		
	Power factor	Cooling			98.6	98.2	98.0		
		Heating			98.7	98.2	98.0		
EER	Cooling			3.60	3.49	3.26			
COP	Heating			3.95	3.98	4.40			
Moisture removal			L/h (pints/h)	2.7 (4.8)	2.5 (4.4)	3.3 (5.8)			
Maximum operating current *1			A	Cooling	13.6	22.6			
				Heating	13.6	22.6	22.6		
Fan	Airflow rate	Cooling	m ³ /h	HIGH	1,150	1,600	1,870		
				MED	1,050	1,400	1,560		
				LOW	980	1,270	1,410		
				QUIET	870	1,150	1,160		
		Heating	HIGH	1,150	1,600	1,870			
			MED	1,050	1,400	1,560			
			LOW	980	1,270	1,410			
			QUIET	870	1,150	1,160			
	Type × Q'ty			Turbo fan × 1					
	Motor output			W	81				
Sound pressure level *2			Cooling	dB (A)	HIGH	35	40	44	
					MED	33	38	41	
					LOW	32	36	38	
					QUIET	29	33	34	
			Heating	HIGH	35	40	44		
				MED	33	38	41		
				LOW	32	36	38		
				QUIET	29	33	34		
Heat exchanger type			Dimensions (H × W × D)	mm	Main1: 210 × 2,127 × 13.3		Main1: 252 × 2,131 × 13.3		
					Main2: 210 × 2,061 × 13.3		Main2: 252 × 2,064 × 13.3		
			Fin pitch			1.2		1.3	
			Rows × Stages			1 × 10		1 × 12	
			Pipe type			Copper tube			
Fin type			Aluminum						
Dimensions (H × W × D)			mm	Net		288 × 840 × 840			
				Gross		340 × 960 × 950			
Weight			kg	Net		24			
				Gross		29			
Connection pipe			mm (in)	Liquid		Ø 9.52 (Ø 3/8)			
				Gas		Ø 12.70 (Ø 1/2)			
Method			Flare						
Material			PVC						
Size			Ø 25 (I.D.), Ø 32 (O.D.)						
Operation range			°C	Cooling		18 to 32			
				%RH		80 or less			
Cassette grille (Option)			°C	Heating		16 to 30			
				Material			Polystyrene		
Color			White						
Dimensions (H × W × D)			Approximate color of MUNSELL N 9.25/						
Weight			mm	Net		53 × 950 × 950			
				Gross		110 × 1,000 × 1,010			
Remote control (Option)			kg	Net		6.0			
				Gross		10.0			
Remote control (Option)				Wired remote controller, Wireless remote controller, Mobile app*3 (FGLair™)					

NOTES:

- Specifications are based on the following conditions:
 - Cooling: Indoor temperature of 27 °CDB/19 °CWB, and outdoor temperature of 35 °CDB/24 °CWB.
 - Heating: Indoor temperature of 20 °CDB/15 °CWB, and outdoor temperature of 7 °CDB/6 °CWB.
 - Pipe length: 5 m, Height difference: 0 m. (Between outdoor unit and indoor unit.)
- Protective function might work when using it outside the operation range.
- *1: Maximum operating current is the total current of the indoor unit and the outdoor unit.
- *2: Sound pressure level:
 - Measured values in manufacturer's anechoic chamber.
 - Because of the surrounding sound environment, the sound levels measured in actual installation conditions might be higher than the specified values here.
- *3: Available on Google Play™ store or on App Store®. Optional WLAN adapter is also required. For details, refer to the setting manual.

Specifications for ErP Lot10							
Model name		AUXG24KRLB		AUXG30KRLB		AUXG36KRLB	
Energy efficiency class	Cooling			A ⁺⁺			
	Heating (Average)			A ⁺			
Pdesign	Cooling	kW	6.8 (35°C)	8.5 (35°C)	9.5 (35°C)		
	Heating (Average)		6.0 (-10°C)	8.0 (-10°C)	8.7 (-10°C)		
SEER	Cooling	kWh/kWh	6.60	6.70	6.55		
SCOP	Heating (Average)		4.20	4.30	4.30		
Annual energy consumption	QCE	kWh/a	360	444	507		
	QHE (Average)		1,999	2,601	2,828		
Sound power level	Cooling	HIGH	dB (A)	49	54	58	
	Heating			49	54	58	

Type				Cassette				
				Inverter heat pump				
Model name				AUXG45KRLB		AUXG54KRLB		
Power supply				230 V ~ 50 Hz				
Power supply intake				Outdoor unit				
Available voltage range				198—264 V				
Capacity	Cooling	Rated	kW	12.1	13.4			
			Btu/h	41,300	45,700			
		Min.—Max.	kW	4.00—14.00	4.50—14.50			
	Heating	Rated	kW	13.5	15.5			
			Btu/h	46,000	52,900			
		Min.—Max.	kW	4.20—16.20	4.70—16.50			
				Btu/h	14,300—55,300	16,000—56,300		
Input power	Cooling	Rated	kW	3.61	4.41			
				Max.	5.00	5.23		
	Heating	Rated	kW	3.21	4.16			
				Max.	4.69	4.77		
	Fan	HIGH	W	106	129			
				MED	60	95		
				LOW	45	55		
				QUIET	30	34		
Current	Cooling	Rated	A	16.0	19.5			
				Heating	14.2	18.4		
Power factor	Cooling	%		98.2	98.3			
				Heating	98.3	98.4		
EER	Cooling	kW/kW		3.35	3.04			
COP	Heating			4.20	3.73			
Moisture removal				L/h (pints/h)	4.5 (7.9)	5.0 (8.8)		
Maximum operating current *1				A	Cooling	28.5	28.5	
					Heating	28.5	28.5	
Fan	Airflow rate	Cooling	m ³ /h	HIGH	2,000	2,100		
				MED	1,650	1,780		
				LOW	1,460	1,600		
				QUIET	1,300	1,320		
		Heating	HIGH	2,000	2,100			
			MED	1,650	1,780			
			LOW	1,460	1,600			
			QUIET	1,300	1,320			
	Type × Q'ty				Turbo fan × 1			
	Motor output				W	81		
Sound pressure level *2				Cooling	dB (A)	HIGH	46	47
						MED	42	43
						LOW	39	40
						QUIET	35	36
				Heating	HIGH	46	47	
					MED	42	43	
					LOW	39	40	
					QUIET	35	36	
Heat exchanger type				mm	Main1: 252 × 2,131 × 13.3			
					Main2: 252 × 2,064 × 13.3			
					Main3: 252 × 1,999 × 13.3			
					Fin pitch		1.3	
					Rows × Stages		1 × 12	
Pipe type				Copper tube				
Fin type				Aluminum				
Dimensions (H × W × D)				mm	288 × 840 × 840			
Gross					340 × 960 × 950			
Weight				kg	29			
Gross					34			
Connection pipe				mm (in)	Ø 9.52 (Ø 3/8)			
Liquid					Ø 15.88 (Ø 5/8)			
Gas								
Method				Flare				
Drain hose				Material		PVC(VP25)		
Size				mm		Ø 25 (I.D.), Ø 32 (O.D.)		
Operation range				°C	18 to 32			
Cooling					%RH	80 or less		
Heating				°C		16 to 30		
Cassette grille (Option)				Material		Polystyrene		
Color				White				
Approximate color of MUNSELL N 9.25/								
Dimensions (H × W × D)				mm	Net		53 × 950 × 950	
Gross					Gross		110 × 1,000 × 1,010	
Weight				kg	Net		6.0	
Gross					Gross		10.0	
Remote control (Option)				Wired remote controller, Wireless remote controller, Mobile app*3 (FGLair™)				
NOTES:								
<ul style="list-style-type: none"> Specifications are based on the following conditions: <ul style="list-style-type: none"> Cooling: Indoor temperature of 27 °CDB/19 °CWB, and outdoor temperature of 35 °CDB/24 °CWB. Heating: Indoor temperature of 20 °CDB/15 °CWB, and outdoor temperature of 7 °CDB/6 °CWB. Pipe length: 5 m, Height difference: 0 m. (Between outdoor unit and indoor unit.) Protective function might work when using it outside the operation range. *1: Maximum operating current is the total current of the indoor unit and the outdoor unit. *2: Sound pressure level: <ul style="list-style-type: none"> Measured values in manufacturer's anechoic chamber. Because of the surrounding sound environment, the sound levels measured in actual installation conditions might be higher than the specified values here. *3: Available on Google Play™ store or on App Store®. Optional WLAN adapter is also required. For details, refer to the setting manual. 								

Specifications (Outdoor unit)

Type				Inverter heat pump	
Model name				AOYG24KBTB	
Power supply				230 V ~ 50 Hz	
Power supply intake				Outdoor unit	
Available voltage range				198—264 V	
Starting current				8.4	
Fan	Airflow rate	Cooling	m ³ /h	2,700	
		Heating		2,700	
	Type × Q'ty			Propeller × 1	
	Motor output		W	49	
Sound pressure level *1		Cooling	dB (A)	53	
		Heating		54	
Sound power level		Cooling	dB (A)	65	
		Heating		66	
Heat exchanger type		Dimensions (H × W × D)	mm	Main1: 672 × 881 × 18.2 Main2: 672 × 851 × 18.2	
		Fin pitch		1.3	
		Rows × Stages		2 × 32	
		Pipe type		Copper tube	
		Fin	Type (Material)		Aluminum
			Surface treatment		PC fin
Compressor	Type × Q'ty			DC Twin rotary × 1	
	Motor output		W	1,060	
Refrigerant		Type (Global warming potential)		R32 (675)	
		Factory charge	g	1,250	
Refrigerant oil		Type		RmM68AF	
		Amount	cm ³	400	
Enclosure		Material		Steel sheet	
		Color		Beige Approximate color of Munsell 10YR 7.5/1.0	
Dimensions (H × W × D)	Net		mm	716 × 820 × 315	
	Gross			776 × 961 × 450	
Weight	Net		kg	42	
	Gross			46	
Connection pipe	Size	Liquid	mm (in)	Ø6.35 (1/4)	
		Gas		Ø12.70 (1/2)	
	Method			Flare	
	Pre-charge length		m	20	
	Max. length			30	
	Max. height difference			25	
Operation range		Cooling	°C	-15 to 46	
		Heating		-15 to 24	
Drain hose		Material		PP	
		Size	mm	Ø13.0 (I. D.), Ø16.0 to Ø16.8 (O. D.)	

NOTES:

- Specifications are based on the following conditions:
 - Cooling: Indoor temperature of 27 °CDB/19 °CWB, and outdoor temperature of 35 °CDB/24 °CWB.
 - Heating: Indoor temperature of 20 °CDB/15 °CWB, and outdoor temperature of 7 °CDB/6 °CWB.
 - Pipe length: 5 m, Height difference: 0 m. (Between outdoor unit and indoor unit.)
- Protective function might work when using it outside the operation range.
- *1: Sound pressure level
 - Measured values in manufacturer's anechoic chamber.
 - Because of the surrounding sound environment, the sound levels measured in actual installation conditions might be higher than the specified values here.

Type				Inverter heat pump		
Model name				AOYG30KBTB	AOYG36KBTB	
Power supply				230 V ~ 50 Hz		
Power supply intake				Outdoor unit		
Available voltage range				198—264 V		
Starting current				11.1	12.9	
Fan	Airflow rate	Cooling	m ³ /h	3,750		
		Heating		3,750		
	Type × Q'ty		Propeller × 1			
	Motor output		W	100		
Sound pressure level *1		Cooling	dB (A)	53	55	
		Heating		55	55	
Sound power level		Cooling	dB (A)	68	70	
		Heating		69	70	
Heat exchanger type	Dimensions (H × W × D)		mm	Main1: 756 × 905 × 18.2		
	Fin pitch			Main2: 756 × 905 × 18.2		
	Rows × Stages		1.45			
	Pipe type		1 × 36			
	Fin	Type (Material)		Copper		
		Surface treatment		Aluminum Blue fin		
Compressor	Type × Q'ty		DC Twin rotary × 1			
	Motor output		W	1,500		
Refrigerant	Type (Global warming potential)		R32 (675)			
	Factory charge		g	1,900		
Refrigerant oil	Type		FW68D			
	Amount	cm ³	600			
Enclosure	Material		Steel sheet			
	Color		Beige Approximate color of Munsell 10YR 7.5/1.0			
Dimensions (H × W × D)	Net		mm	788 × 940 × 320		
	Gross			966 × 1,027 × 445		
Weight	Net		kg	52		
	Gross			60		
Connection pipe	Size	Liquid	mm (in)	Ø9.52 (3/8)		
		Gas		Ø15.88 (5/8)		
	Method		Flare			
	Pre-charge length		m	30		
	Max. length			50		
	Max. height difference			30		
Operation range		Cooling	°C	-15 to 46		
		Heating		-15 to 24		
Drain hose	Material		LDPE			
	Size		mm Ø13.0 (I. D.), Ø16.0 to Ø16.8 (O. D.)			

NOTES:

- Specifications are based on the following conditions:
 - Cooling: Indoor temperature of 27 °CDB/19 °CWB, and outdoor temperature of 35 °CDB/24 °CWB.
 - Heating: Indoor temperature of 20 °CDB/15 °CWB, and outdoor temperature of 7 °CDB/6 °CWB.
 - Pipe length: 5 m, Height difference: 0 m. (Between outdoor unit and indoor unit.)
- Protective function might work when using it outside the operation range.
- *1: Sound pressure level
 - Measured values in manufacturer's anechoic chamber.
 - Because of the surrounding sound environment, the sound levels measured in actual installation conditions might be higher than the specified values here.

Type				Inverter heat pump	
Model name				AOYG45KBTB	AOYG54KBTB
Power supply				230 V ~ 50 Hz	
Power supply intake				Outdoor unit	
Available voltage range				198—264 V	
Starting current				A	
Fan	Airflow rate	Cooling	m ³ /h	16.0	19.4
		Heating		4,450	4,450
	Type × Q'ty			4,450	4,450
	Motor output		W	Propeller × 1	
Sound pressure level *1	Cooling	Heating	dB (A)	120	
				57	57
Sound power level	Cooling	Heating	dB (A)	57	59
				71	73
Heat exchanger type	Dimensions (H × W × D)		mm	Main1: 966 × 905 × 18.2	
	Fin pitch			Main2: 966 × 905 × 18.2	
	Rows × Stages			Sub: 966 × 543 × 18.2	
	Pipe type			1.45	
	Fin			1 × 46	
	Surface treatment			Copper	
Compressor	Type × Q'ty			Aluminum	
	Motor output	W		Blue fin	
Refrigerant	Type (Global warming potential)			DC Twin rotary × 1	
	Factory charge	g		2,180	
Refrigerant oil	Type			R32 (675)	
	Amount	cm ³		2,700	
Enclosure	Material			RmM68AF	
	Color			800	
Dimensions (H × W × D)	Net	mm		Steel sheet	
	Gross			Beige	
Weight	Net	kg		Approximate color of Munsell 10YR 7.5/1.0	
	Gross			998 × 940 × 320	
Connection pipe	Size	Liquid	mm (in)	1,176 × 1,027 × 445	
		Gas		67	
	Method			75	
	Pre-charge length			Ø9.52 (3/8)	
	Max. length			Ø15.88 (5/8)	
	Max. height difference			Flare	
Operation range	Cooling	Heating	°C	30	
				50	
Drain hose	Material			30	
		Size	mm		LDPE
				Ø13.0 (I. D.), Ø16.0 to Ø16.8 (O. D.)	

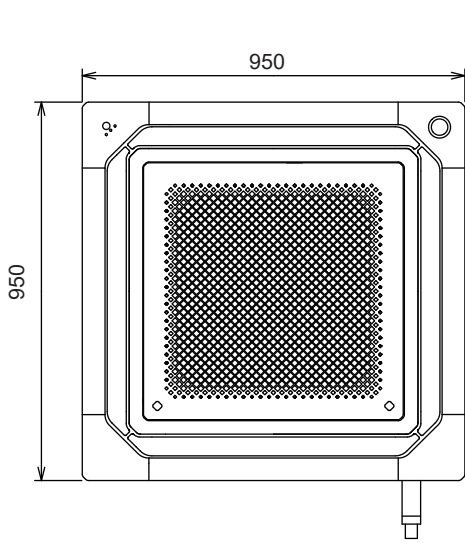
NOTES:

- Specifications are based on the following conditions:
 - Cooling: Indoor temperature of 27 °CDB/19 °CWB, and outdoor temperature of 35 °CDB/24 °CWB.
 - Heating: Indoor temperature of 20 °CDB/15 °CWB, and outdoor temperature of 7 °CDB/6 °CWB.
 - Pipe length: 5 m, Height difference: 0 m. (Between outdoor unit and indoor unit.)
- Protective function might work when using it outside the operation range.
- *1: Sound pressure level
 - Measured values in manufacturer's anechoic chamber.
 - Because of the surrounding sound environment, the sound levels measured in actual installation conditions might be higher than the specified values here.

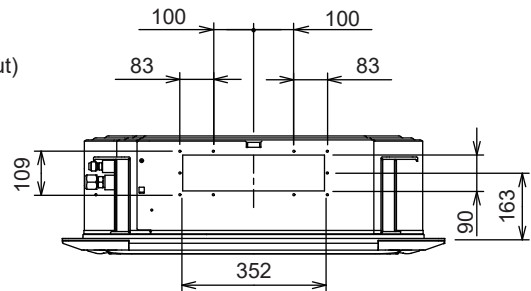
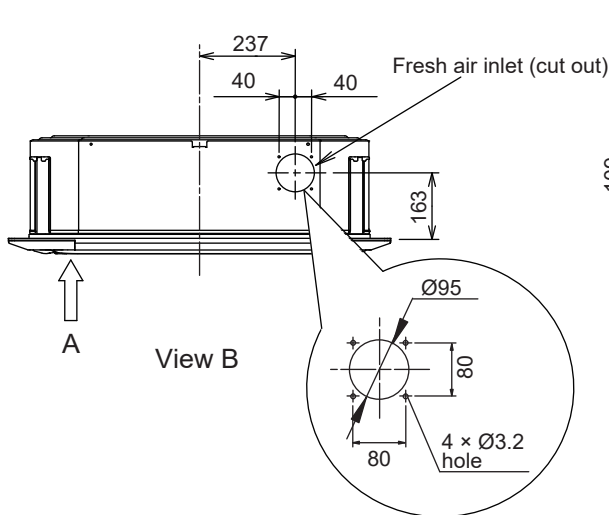
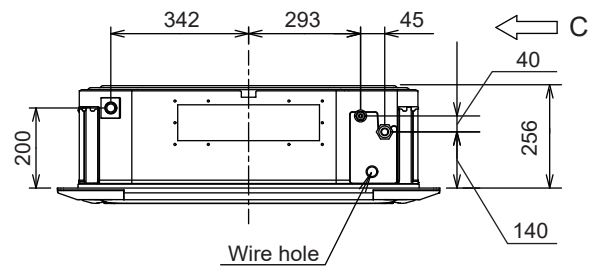
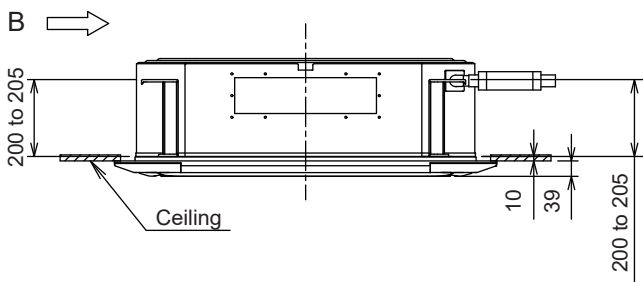
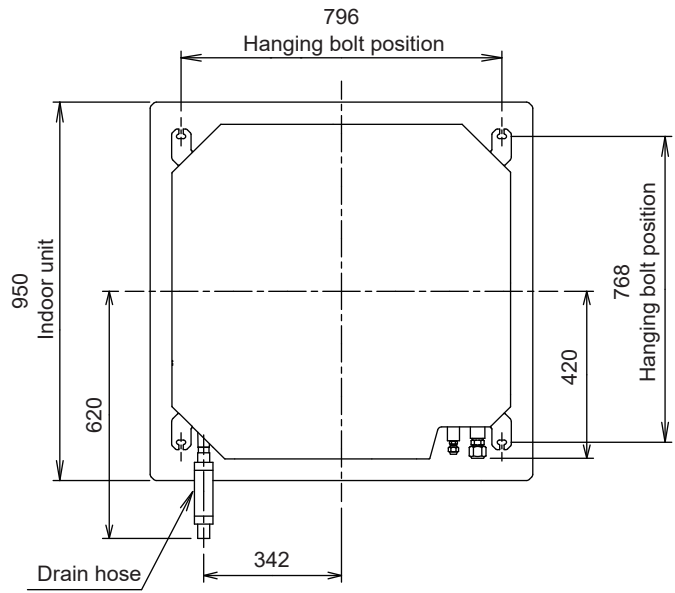
Dimensions

Model: AUXG24KRLB

Unit: mm

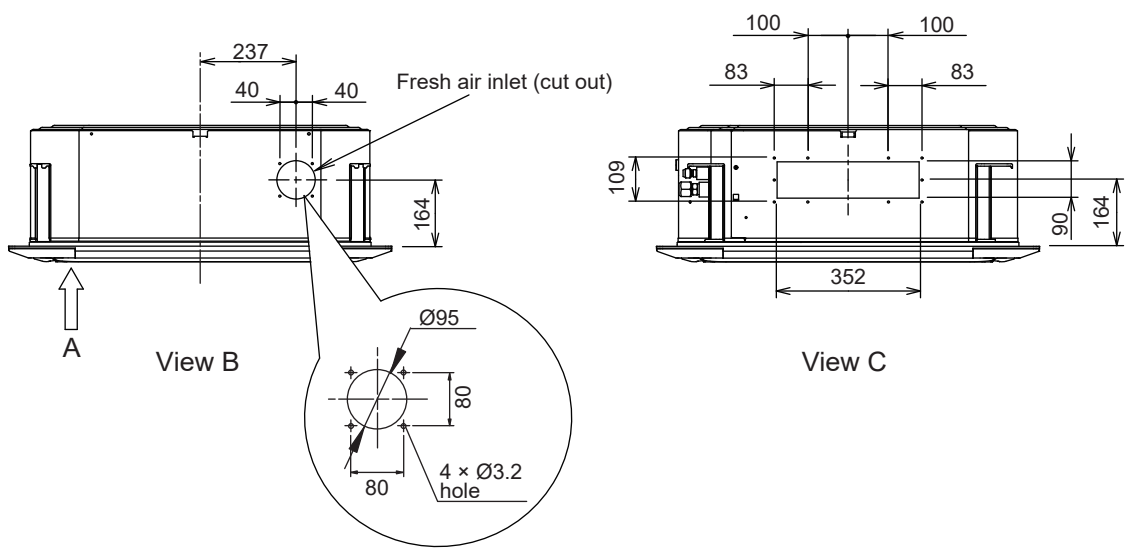
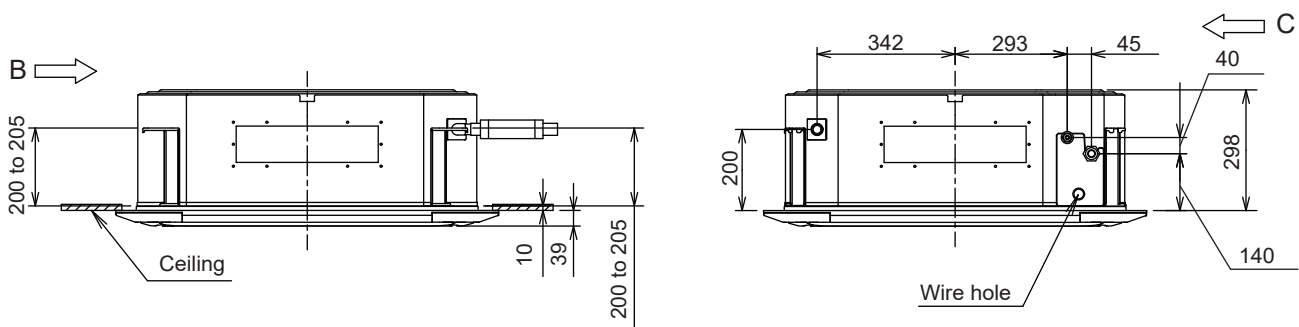
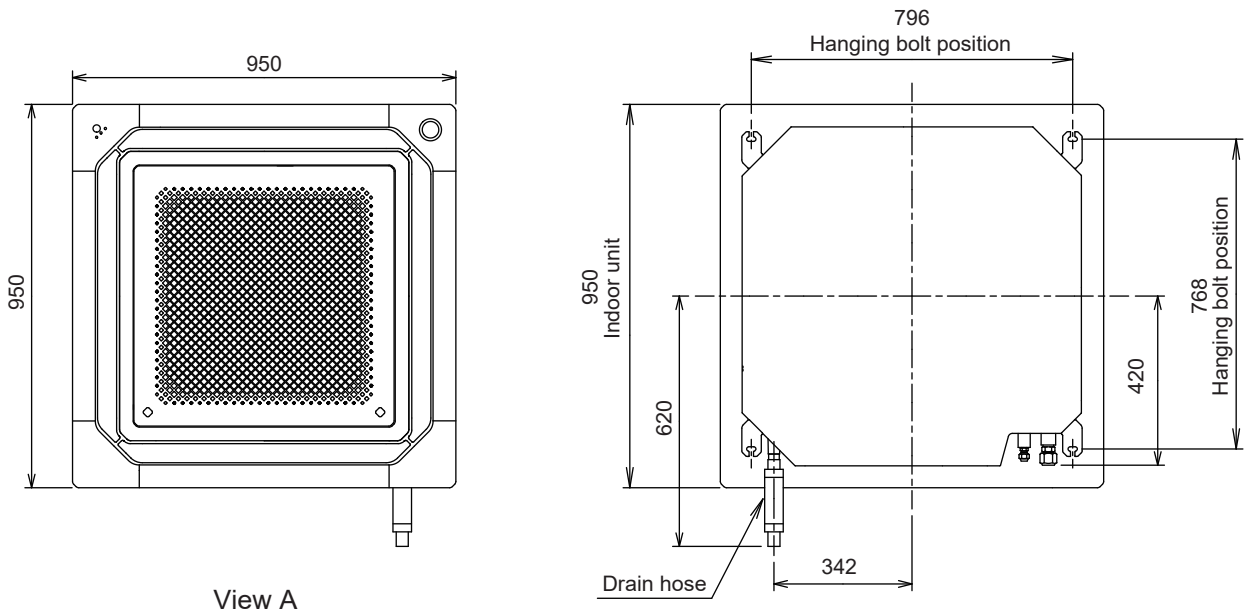


View A



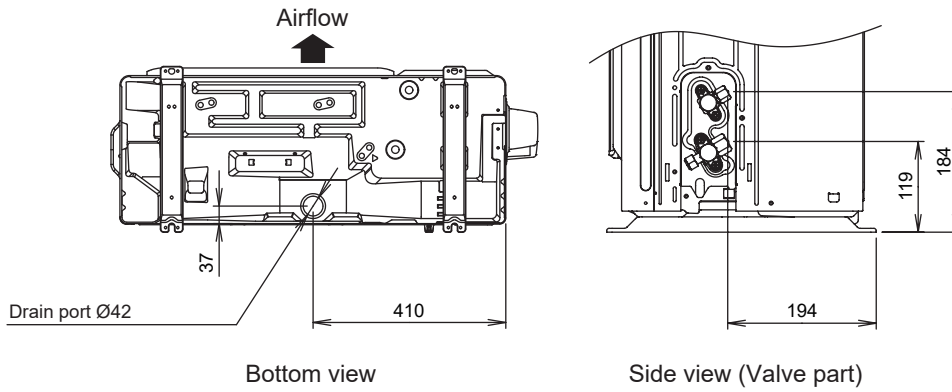
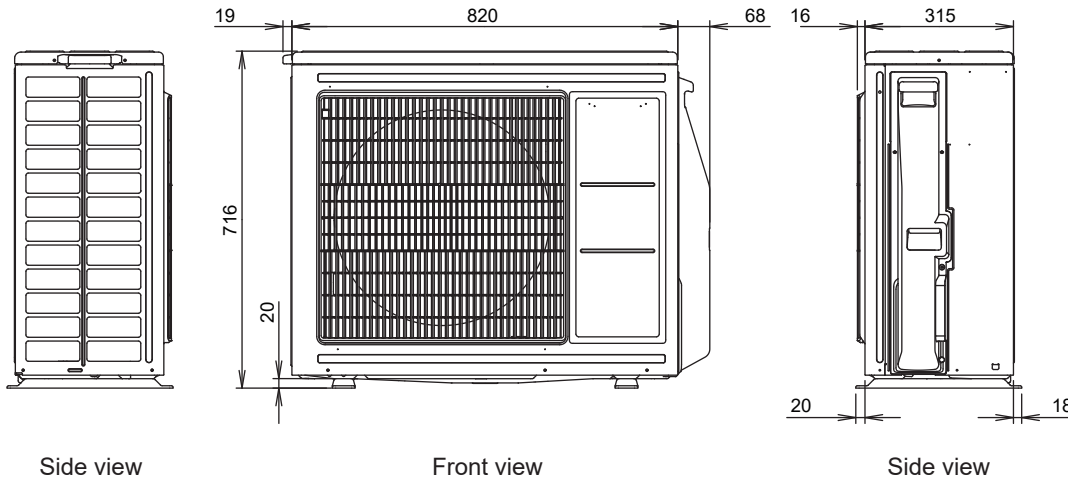
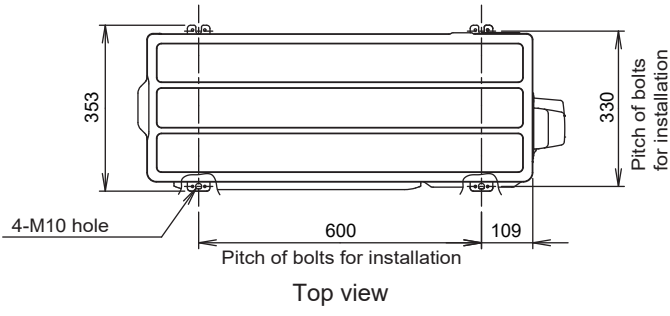
Models: AUXG30KRLB, AUXG36KRLB, AUXG45KRLB, and AUXG54KRLB

Unit: mm



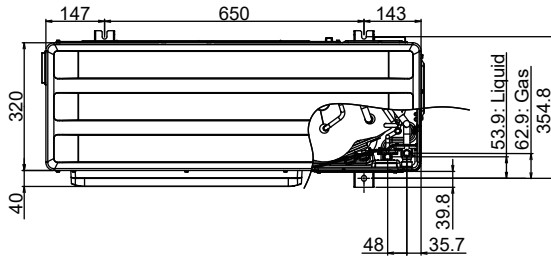
Model: AOYG24KBTB

Unit: mm

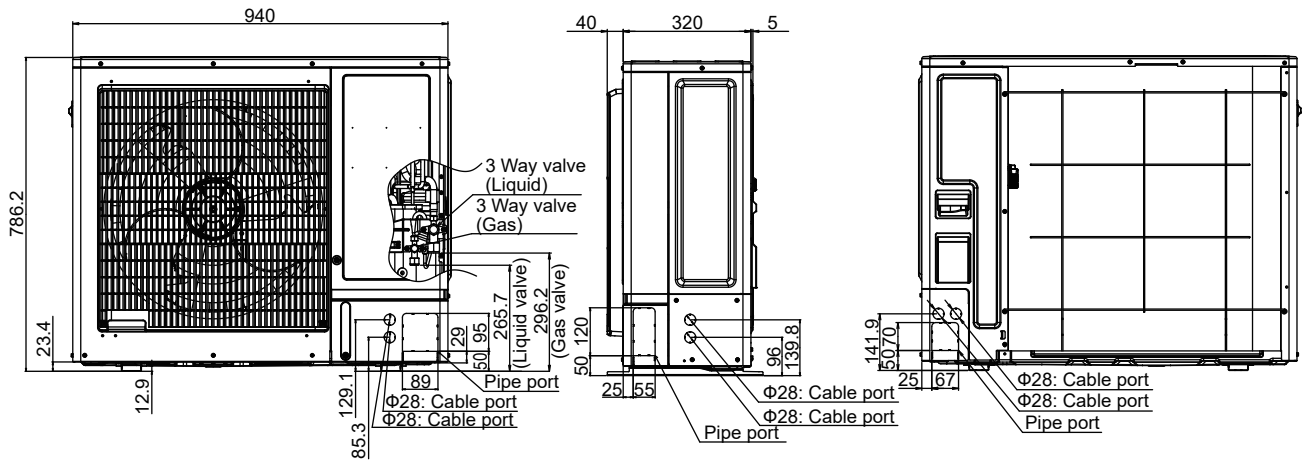


Models: AOYG30KBTB and AOYG36KBTB

Unit: mm



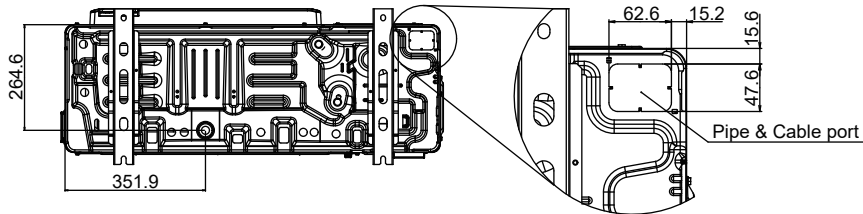
Top view



Front view

Side view

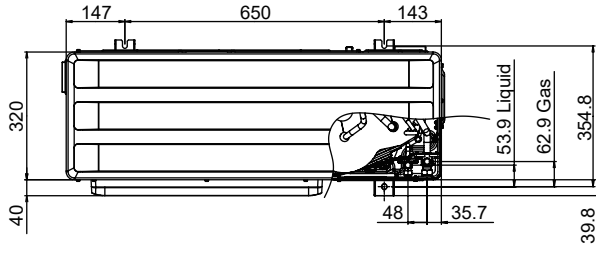
Rear view



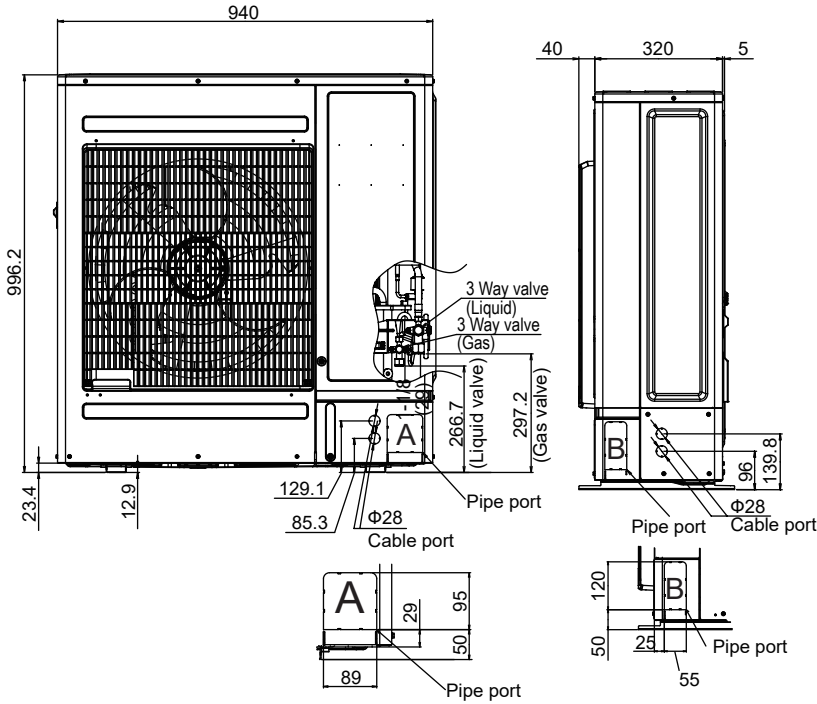
Bottom view

Models: AOYG45KBTB and AOYG54KBTB

Unit: mm

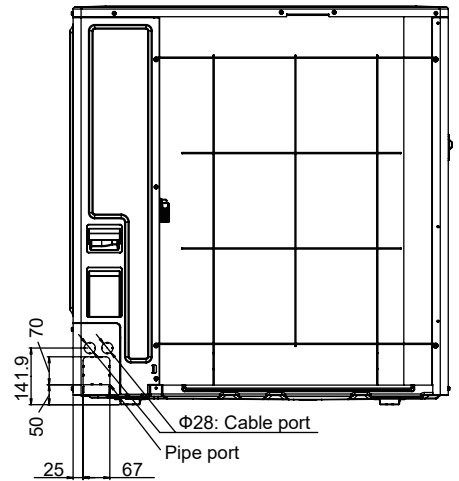


Top view

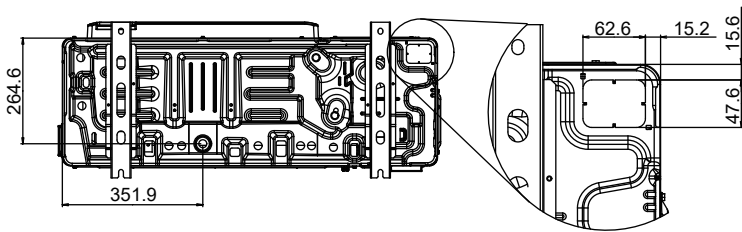


Front view

Side view



Rear view

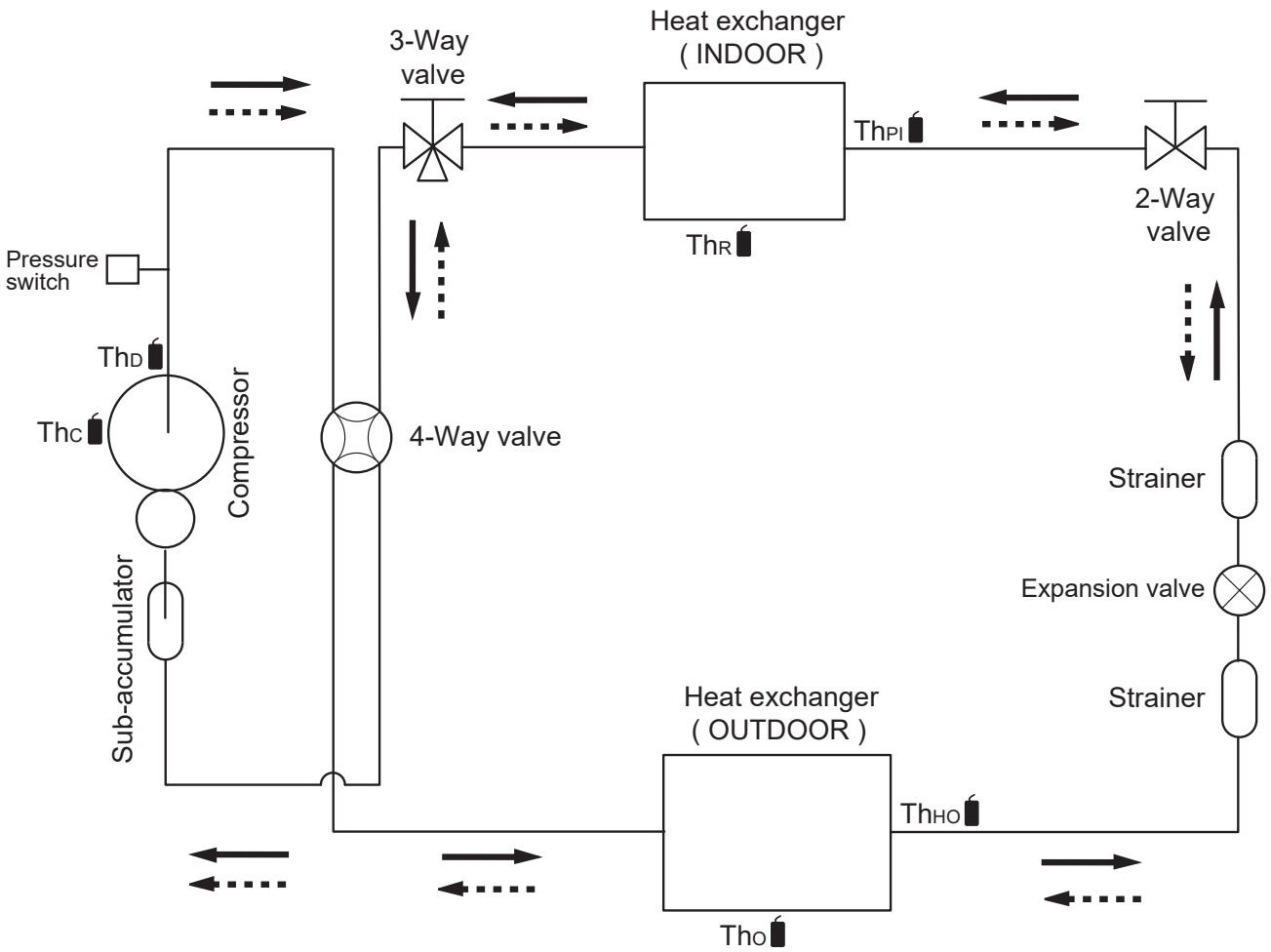


Bottom view

Pipe & Cable port

Refrigerant circuit

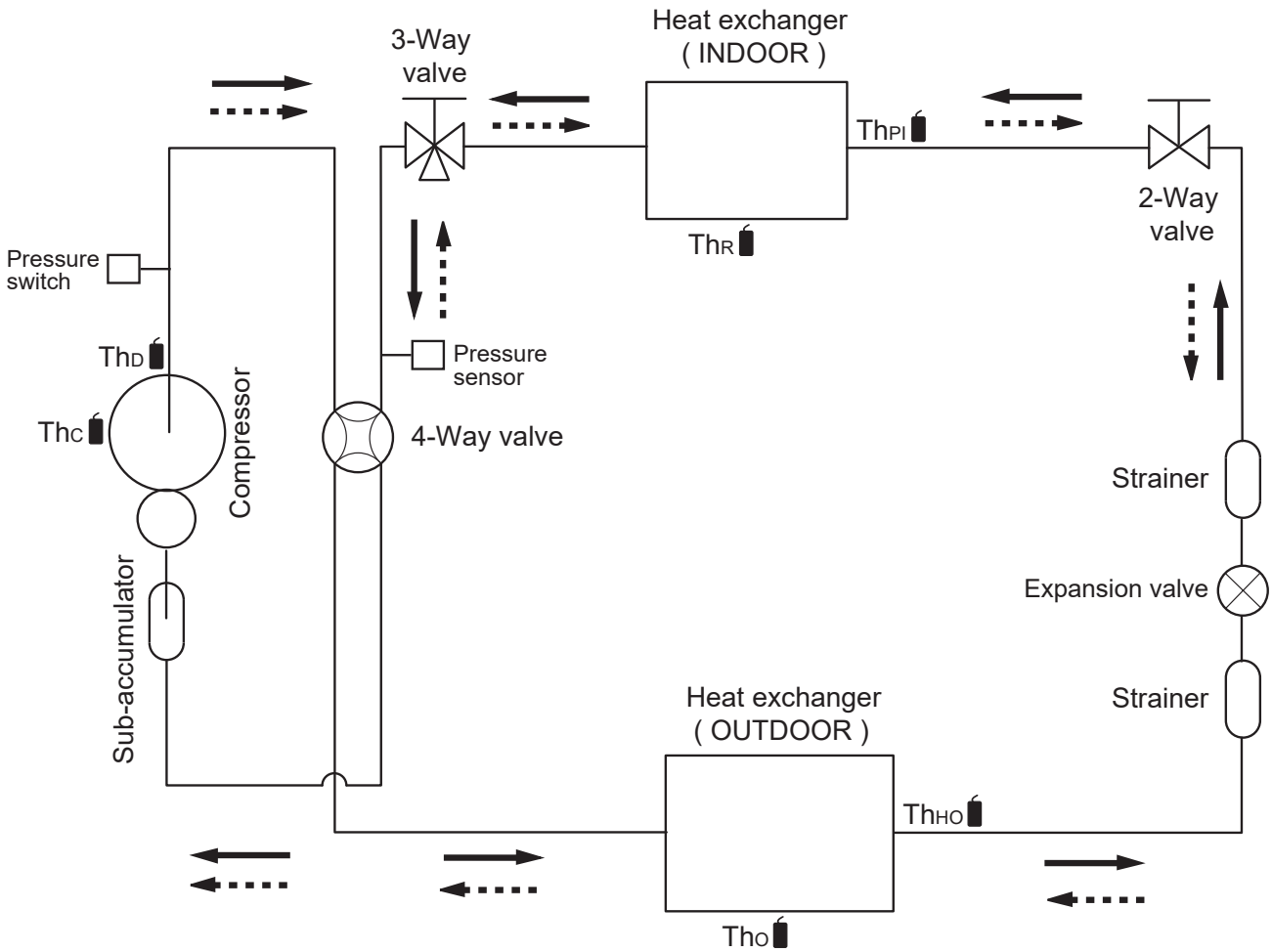
Models: AOYG24KBTB and AOYG30KBTB



———→ : Cooling
 - - - - -→ : Heating

- Th_c : Thermistor (Compressor temperature)
- Th_d : Thermistor (Discharge temperature)
- Th_o : Thermistor (Outdoor temperature)
- Th_{HO} : Thermistor (Heat Exchanger Out temperature)
- Th_r : Thermistor (Room temperature)
- Th_{PI} : Thermistor (Pipe temperature)

Models: AOYG36KBTB, AOYG45KBTB, and AOYG54KBTB



———→ : Cooling
 - - - - -→ : Heating

Th_C : Thermistor (Compressor temperature)

Th_D : Thermistor (Discharge temperature)

Th_O : Thermistor (Outdoor temperature)

Th_{HO} : Thermistor (Heat Exchanger Out temperature)

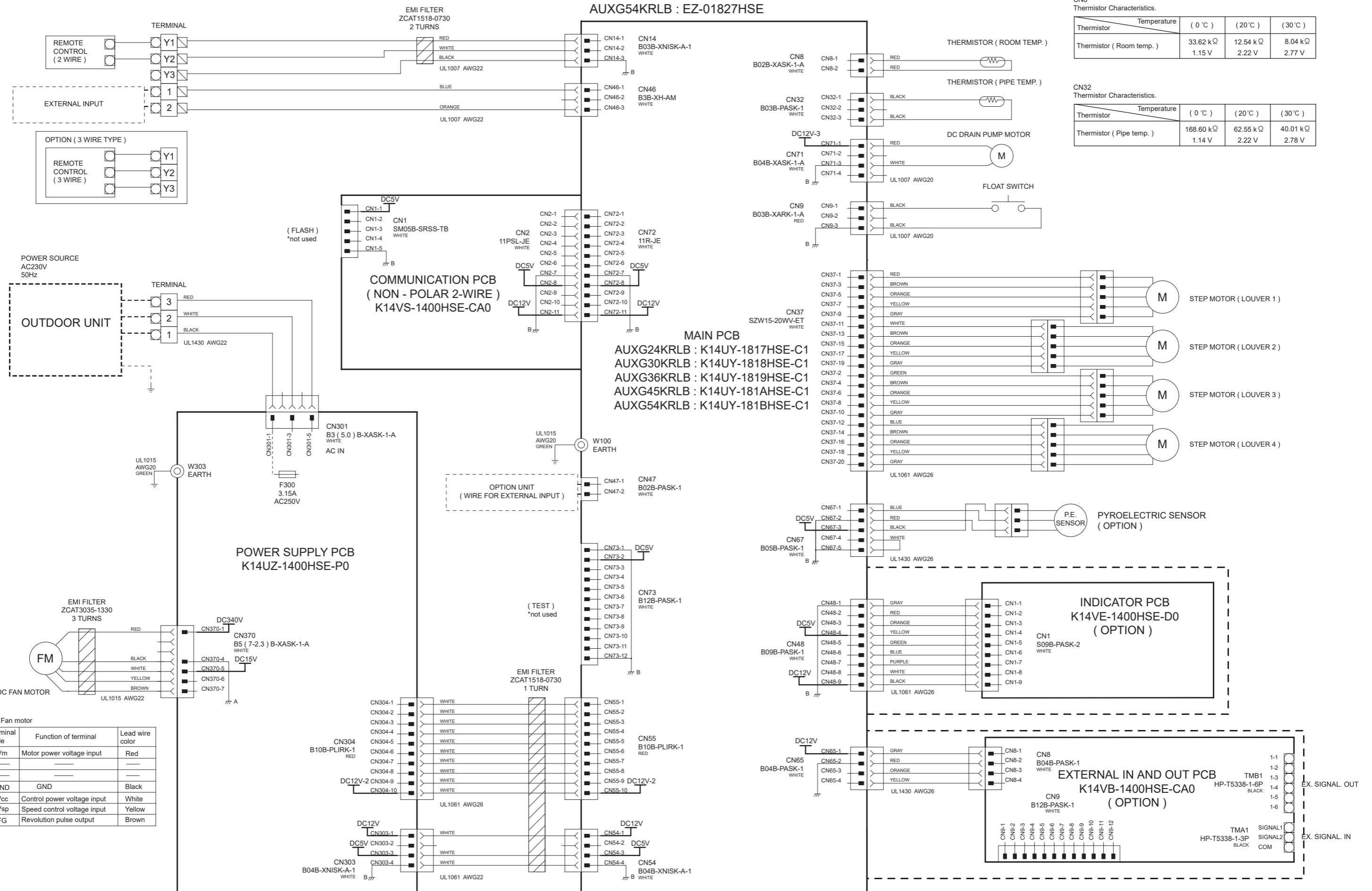
Th_R : Thermistor (Room temperature)

Th_{PI} : Thermistor (Pipe temperature)

INDOOR PRINTED CIRCUIT BOARD CIRCUIT DIAGRAM

Models : AUXG24KRLB
 AUXG30KRLB
 AUXG36KRLB
 AUXG45KRLB
 AUXG54KRLB
 UTG-UKYC-W

CONTROL UNIT
 AUXG24KRLB : EZ-01823HSE
 AUXG30KRLB : EZ-01824HSE
 AUXG36KRLB : EZ-01825HSE
 AUXG45KRLB : EZ-01826HSE
 AUXG54KRLB : EZ-01827HSE



CN8 Thermistor Characteristics.

Thermistor	Temperature	(0 °C)	(20 °C)	(30 °C)
Thermistor (Room temp.)		33.62 kΩ	12.54 kΩ	8.04 kΩ
		1.15 V	2.22 V	2.77 V

CN32 Thermistor Characteristics.

Thermistor	Temperature	(0 °C)	(20 °C)	(30 °C)
Thermistor (Pipe temp.)		168.60 kΩ	62.55 kΩ	40.01 kΩ
		1.14 V	2.22 V	2.78 V

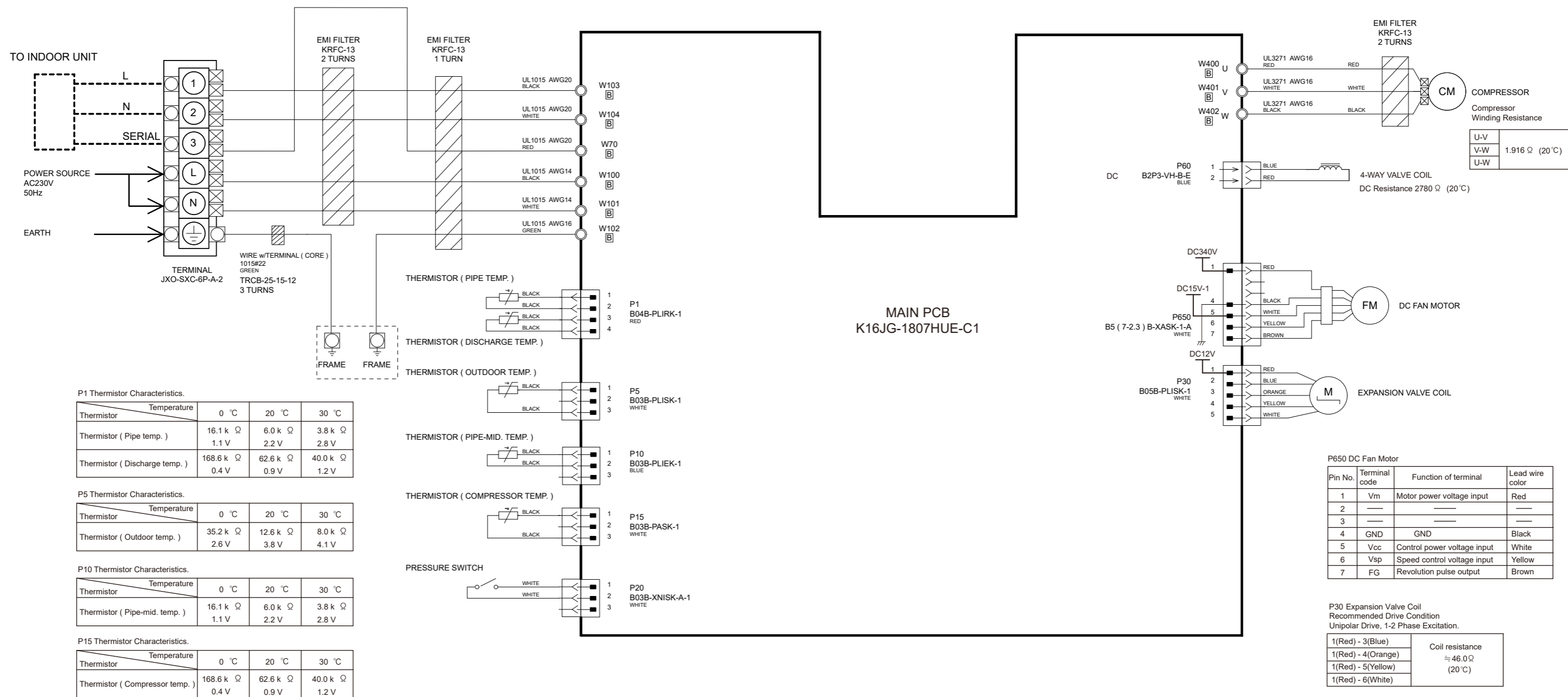
CN370 DC Fan motor

Pin No.	Terminal code	Function of terminal	Lead wire color
1	Vm	Motor power voltage input	Red
2	---	---	---
3	---	---	---
4	GND	GND	Black
5	Vcc	Control power voltage input	White
6	Vsp	Speed control voltage input	Yellow
7	FG	Revolution pulse output	Brown

OUTDOOR PRINTED CIRCUIT BOARD CIRCUIT DIAGRAM

Model : AOYG24KBTB

INVERTER ASSEMBLY
EZ-01801HUE



P1 Thermistor Characteristics.

Thermistor	Temperature	0 °C	20 °C	30 °C
Thermistor (Pipe temp.)		16.1 k Ω	6.0 k Ω	3.8 k Ω
		1.1 V	2.2 V	2.8 V
Thermistor (Discharge temp.)		168.6 k Ω	62.6 k Ω	40.0 k Ω
		0.4 V	0.9 V	1.2 V

P5 Thermistor Characteristics.

Thermistor	Temperature	0 °C	20 °C	30 °C
Thermistor (Outdoor temp.)		35.2 k Ω	12.6 k Ω	8.0 k Ω
		2.6 V	3.8 V	4.1 V

P10 Thermistor Characteristics.

Thermistor	Temperature	0 °C	20 °C	30 °C
Thermistor (Pipe-mid. temp.)		16.1 k Ω	6.0 k Ω	3.8 k Ω
		1.1 V	2.2 V	2.8 V

P15 Thermistor Characteristics.

Thermistor	Temperature	0 °C	20 °C	30 °C
Thermistor (Compressor temp.)		168.6 k Ω	62.6 k Ω	40.0 k Ω
		0.4 V	0.9 V	1.2 V

Compressor Winding Resistance

U-V	1.916 Ω (20 °C)
V-W	
U-W	

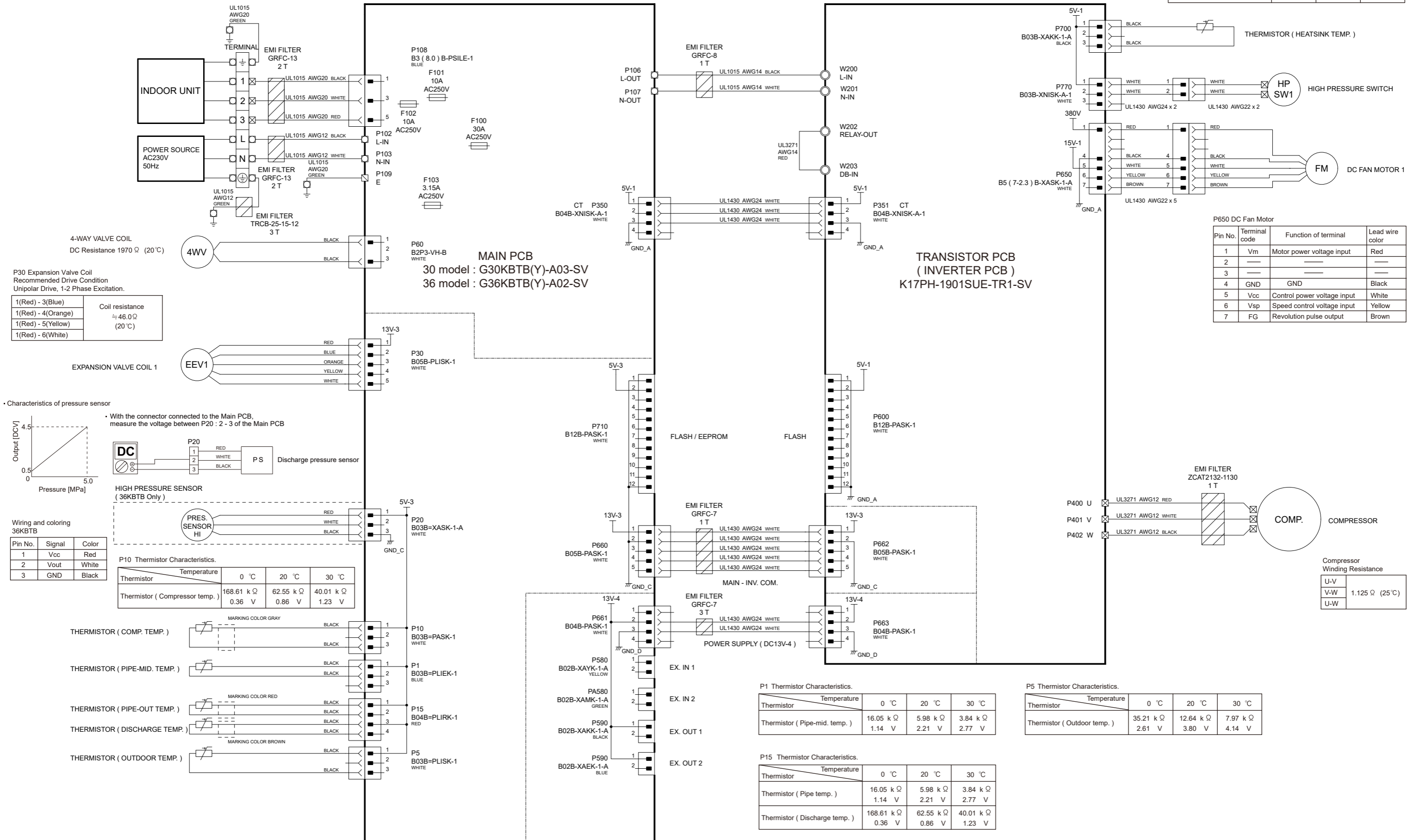
P650 DC Fan Motor

Pin No.	Terminal code	Function of terminal	Lead wire color
1	Vm	Motor power voltage input	Red
2	—	—	—
3	—	—	—
4	GND	GND	Black
5	Vcc	Control power voltage input	White
6	Vsp	Speed control voltage input	Yellow
7	FG	Revolution pulse output	Brown

P30 Expansion Valve Coil
Recommended Drive Condition
Unipolar Drive, 1-2 Phase Excitation.

1(Red) - 3(Blue)	Coil resistance ≈ 46.0 Ω (20 °C)
1(Red) - 4(Orange)	
1(Red) - 5(Yellow)	
1(Red) - 6(White)	

INVERTER ASSEMBLY
EZ-0190DHUE



P700 Thermistor Characteristics.

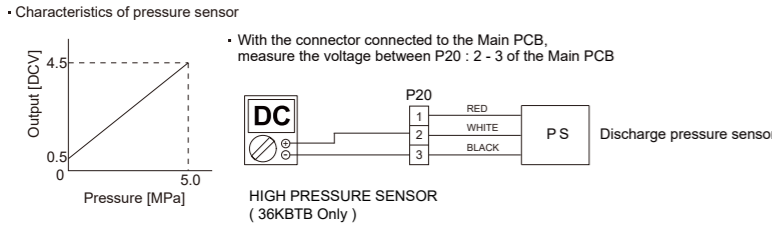
Thermistor	Temperature	0 °C	20 °C	30 °C
Thermistor		0.33 k Ω	0.12 k Ω	0.08 k Ω
Thermistor (Heatsink temp.)		4.10 V	4.62 V	4.75 V

P650 DC Fan Motor

Pin No.	Terminal code	Function of terminal	Lead wire color
1	Vm	Motor power voltage input	Red
2			
3			
4	GND	GND	Black
5	Vcc	Control power voltage input	White
6	Vsp	Speed control voltage input	Yellow
7	FG	Revolution pulse output	Brown

4-WAY VALVE COIL
DC Resistance 1970 Ω (20 °C)

Coil resistance	Temperature
1(Red) - 3(Blue)	≈ 46.0 Ω (20 °C)
1(Red) - 4(Orange)	
1(Red) - 5(Yellow)	
1(Red) - 6(White)	



Wiring and coloring 36KBTB

Pin No.	Signal	Color
1	Vcc	Red
2	Vout	White
3	GND	Black

P10 Thermistor Characteristics.

Thermistor	Temperature	0 °C	20 °C	30 °C
Thermistor (Compressor temp.)		168.61 k Ω	62.55 k Ω	40.01 k Ω
		0.36 V	0.86 V	1.23 V

P1 Thermistor Characteristics.

Thermistor	Temperature	0 °C	20 °C	30 °C
Thermistor (Pipe-mid. temp.)		16.05 k Ω	5.98 k Ω	3.84 k Ω
		1.14 V	2.21 V	2.77 V

P5 Thermistor Characteristics.

Thermistor	Temperature	0 °C	20 °C	30 °C
Thermistor (Outdoor temp.)		35.21 k Ω	12.64 k Ω	7.97 k Ω
		2.61 V	3.80 V	4.14 V

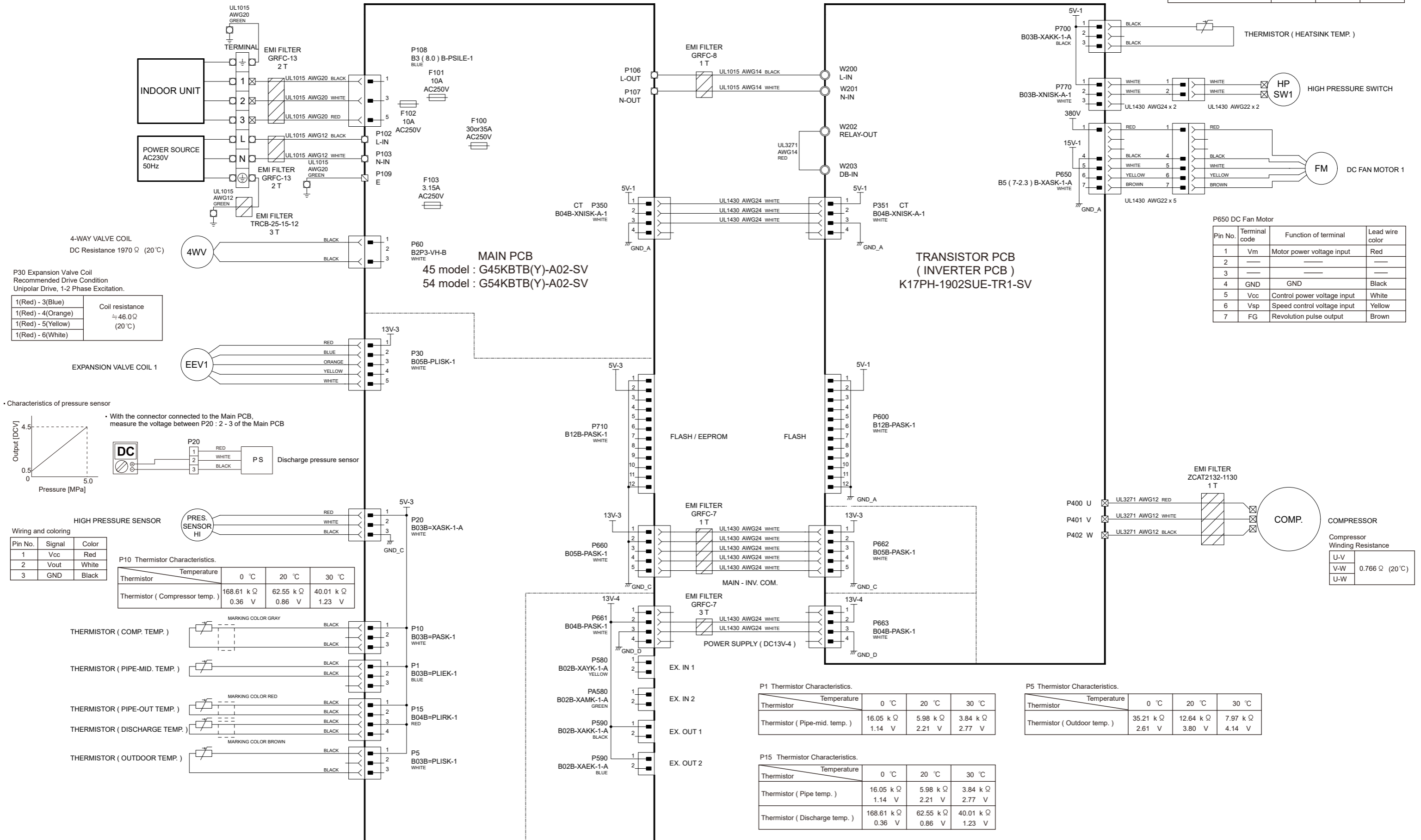
P15 Thermistor Characteristics.

Thermistor	Temperature	0 °C	20 °C	30 °C
Thermistor (Pipe temp.)		16.05 k Ω	5.98 k Ω	3.84 k Ω
		1.14 V	2.21 V	2.77 V
Thermistor (Discharge temp.)		168.61 k Ω	62.55 k Ω	40.01 k Ω
		0.36 V	0.86 V	1.23 V

Compressor Winding Resistance

U-V	1.125 Ω (25 °C)
V-W	
U-W	

INVERTER ASSEMBLY
EZ-0193KHUE



P700 Thermistor Characteristics.

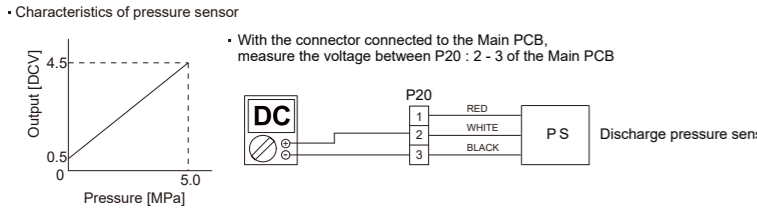
Thermistor	Temperature	0 °C	20 °C	30 °C
Thermistor		0.33 k Ω	0.12 k Ω	0.08 k Ω
Thermistor (Heatsink temp.)		4.10 V	4.62 V	4.75 V

P650 DC Fan Motor

Pin No.	Terminal code	Function of terminal	Lead wire color
1	Vm	Motor power voltage input	Red
2			
3			
4	GND	GND	Black
5	Vcc	Control power voltage input	White
6	Vsp	Speed control voltage input	Yellow
7	FG	Revolution pulse output	Brown

4-WAY VALVE COIL
DC Resistance 1970 Ω (20 °C)

Coil resistance	Temperature
1(Red) - 3(Blue)	≈ 46.0 Ω (20 °C)
1(Red) - 4(Orange)	
1(Red) - 5(Yellow)	
1(Red) - 6(White)	



Wiring and coloring

Pin No.	Signal	Color
1	Vcc	Red
2	Vout	White
3	GND	Black

P10 Thermistor Characteristics.

Thermistor	Temperature	0 °C	20 °C	30 °C
Thermistor		168.61 k Ω	62.55 k Ω	40.01 k Ω
Thermistor (Compressor temp.)		0.36 V	0.86 V	1.23 V

P1 Thermistor Characteristics.

Thermistor	Temperature	0 °C	20 °C	30 °C
Thermistor		16.05 k Ω	5.98 k Ω	3.84 k Ω
Thermistor (Pipe-mid. temp.)		1.14 V	2.21 V	2.77 V

P5 Thermistor Characteristics.

Thermistor	Temperature	0 °C	20 °C	30 °C
Thermistor		35.21 k Ω	12.64 k Ω	7.97 k Ω
Thermistor (Outdoor temp.)		2.61 V	3.80 V	4.14 V

P15 Thermistor Characteristics.

Thermistor	Temperature	0 °C	20 °C	30 °C
Thermistor		16.05 k Ω	5.98 k Ω	3.84 k Ω
Thermistor (Pipe temp.)		1.14 V	2.21 V	2.77 V
Thermistor (Discharge temp.)		168.61 k Ω	62.55 k Ω	40.01 k Ω
		0.36 V	0.86 V	1.23 V

Compressor Winding Resistance

U-V	
V-W	0.766 Ω (20 °C)
U-W	

Error codes (Indoor unit)

If you use a wired type remote controller, error codes will appear on the remote controller display. For more information, refer to the installation manual of the remote controller. If you use a wireless remote controller, the lamps on the IR receiver unit will output error codes by way of blinking patterns. See the lamp blinking patterns and error codes in the table below. An error display is displayed only during operation.

Error display			Wired remote controller Error code	Description
OPERATION lamp (green)	TIMER lamp (orange)	ECONOMY lamp (green)		
●(1)	●(1)	◇	11	Serial communication error
●(1)	●(2)	◇	12	Wired remote controller communication error
●(1)	●(5)	◇	15	Check run unfinished
●(1)	●(6)	◇	16	Peripheral unit transmission PCB connection error
●(1)	●(8)	◇	18	External communication error
●(2)	●(1)	◇	21	Unit number or Refrigerant circuit address setting error [Simultaneous Multi]
●(2)	●(2)	◇	22	Indoor unit capacity error
●(2)	●(3)	◇	23	Combination error
●(2)	●(4)	◇	24	• Connection unit number error (indoor secondary unit) [Simultaneous Multi] • Connection unit number error (indoor unit or branch unit) [Flexible Multi]
●(2)	●(6)	◇	26	Indoor unit address setting error
●(2)	●(7)	◇	27	Primary unit, secondary unit setup error [Simultaneous Multi]
●(2)	●(9)	◇	29	Connection unit number error in wired remote controller system
●(3)	●(1)	◇	31	Power supply interruption error
●(3)	●(2)	◇	32	Indoor unit PCB model information error
●(3)	●(5)	◇	35	Manual auto switch error
●(3)	●(9)	◇	39	Indoor unit power supply error for fan motor
●(3)	●(10)	◇	3A	Indoor unit communication circuit (wired remote controller) error
●(4)	●(1)	◇	41	Room temp. sensor error
●(4)	●(2)	◇	42	Indoor unit Heat Ex. Middle temp. sensor error
●(4)	●(4)	◇	44	Human sensor error
●(5)	●(1)	◇	51	Indoor unit fan motor error
●(5)	●(3)	◇	53	Drain pump error
●(5)	●(7)	◇	57	Damper error
●(5)	●(15)	◇	5U	Indoor unit error
●(6)	●(1)	◇	61	Outdoor unit reverse/missing phase and wiring error
●(6)	●(2)	◇	62	Outdoor unit main PCB model information error or communication error
●(6)	●(3)	◇	63	Inverter error
●(6)	●(4)	◇	64	Active filter error, PFC circuit error
●(6)	●(5)	◇	65	Trip terminal L error
●(6)	●(8)	◇	68	Outdoor unit rush current limiting resistor temp. rise error
●(6)	●(10)	◇	6A	Display PCB microcomputers communication error

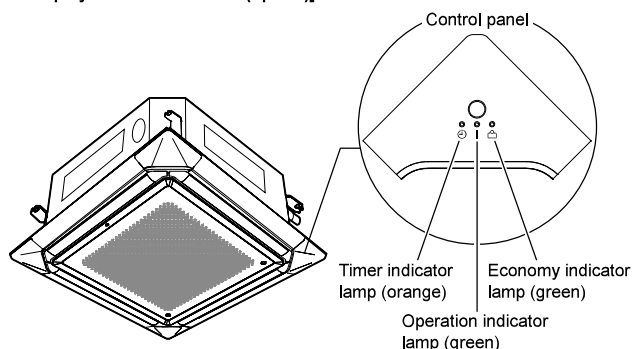
Error display			Wired remote controller Error code	Description
OPERATION lamp (green)	TIMER lamp (orange)	ECONOMY lamp (green)		
●(7)	●(1)	◇	71	Discharge temp. sensor error
●(7)	●(2)	◇	72	Compressor temp. sensor error
●(7)	●(3)	◇	73	Outdoor unit Heat Ex. liquid temp. sensor error
●(7)	●(4)	◇	74	Outdoor temp. sensor error
●(7)	●(5)	◇	75	Suction Gas temp. sensor error
●(7)	●(6)	◇	76	• 2-way valve temp. sensor error • 3-way valve temp. sensor error
●(7)	●(7)	◇	77	Heat sink temp. sensor error
●(8)	●(2)	◇	82	• Sub-cool Heat Ex. gas inlet temp. sensor error • Sub-cool Heat Ex. gas outlet temp. sensor error
●(8)	●(3)	◇	83	Liquid pipe temp. sensor error
●(8)	●(4)	◇	84	Current sensor error
●(8)	●(6)	◇	86	• Discharge pressure sensor error • Suction pressure sensor error • High pressure switch error
●(9)	●(4)	◇	94	Trip detection
●(9)	●(5)	◇	95	Compressor rotor position detection error (permanent stop)
●(9)	●(7)	◇	97	Outdoor unit fan motor 1 error
●(9)	●(8)	◇	98	Outdoor unit fan motor 2 error
●(9)	●(9)	◇	99	4-way valve error
●(9)	●(10)	◇	9A	Coil (expansion valve) error
●(10)	●(1)	◇	A1	Discharge temp. error
●(10)	●(3)	◇	A3	Compressor temp. error
●(10)	●(4)	◇	A4	High pressure error
●(10)	●(5)	◇	A5	Low pressure error
●(13)	●(2)	◇	J2	Branch boxes error [Flexible Multi]

Display mode ● : 0.5s ON / 0.5s OFF

◇ : 0.1s ON / 0.1s OFF

() : Number of flashing

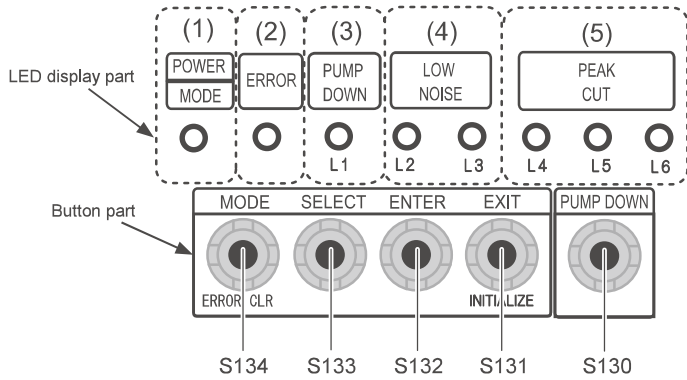
[Error display on the indoor unit (option)]



Error codes (Outdoor unit)

AOYG30,36,45,54KBTB

You can determine the operating status by the lighting on and blinking of the LED display.



Error display mode

Display when an error occurs.

POWER/ MODE	ERROR	PUMP DOWN (L1)	LOW NOISE		PEAK CUT		
			(L2)	(L3)	(L4)	(L5)	(L6)
●	Blink (Hi speed)	○	○	○	○	○	○

Sign "○": Lights off, "●": Lights on

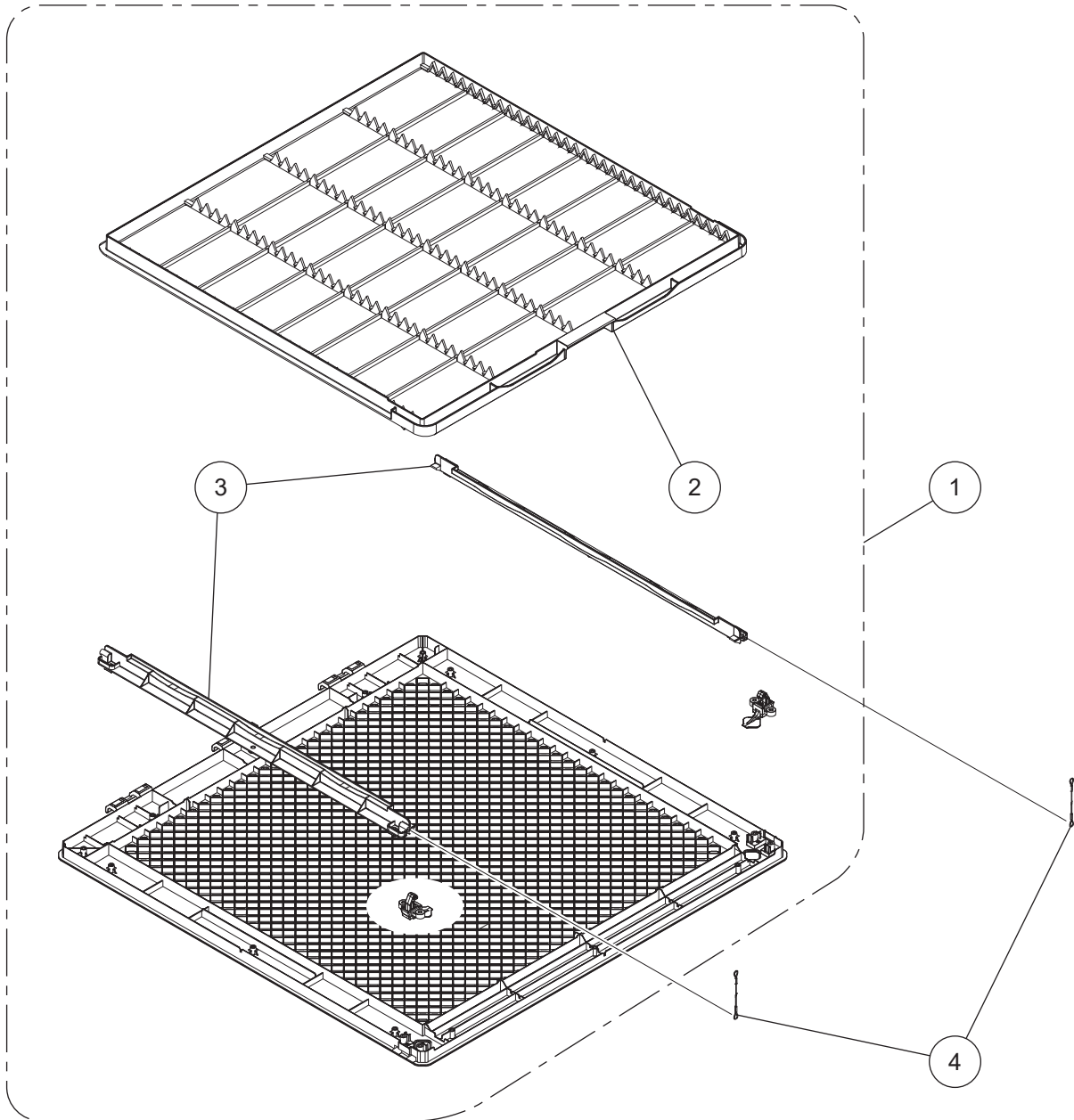
- Check that the "ERROR" LED blinks, then press the [ENTER] button (S132) once.

10.2. Error code check table

DESCRIPTION	REMARK	LED display							
		POWER/ MODE	ERROR	PUMP DOWN (L1)	LOW NOISE		PEAK CUT		
				(L1)	(L2)	(L3)	(L4)	(L5)	(L6)
Serial communication error	Serial forward transmission error immediately after operation	Blink (2 times)	●	Blink (1 time)	Blink (1 time)	○	○	●	●
	Serial forward transmission error during operation	Blink (2 times)	●	Blink (1 time)	Blink (1 time)	○	●	○	○
Indoor unit capacity error	Indoor unit capacity error	Blink (2 times)	●	Blink (2 times)	Blink (2 times)	○	○	○	●
Indoor unit error	Indoor unit error	Blink (2 times)	●	Blink (5 times)	Blink (15 times)	○	○	○	●
Outdoor unit main PCB error	Outdoor unit PCB model information error	Blink (2 times)	●	Blink (6 times)	Blink (2 times)	○	○	○	●
Inverter PCB error	Inverter error	Blink (2 times)	●	Blink (6 times)	Blink (3 times)	○	○	○	●
IPM error	Trip terminal L error	Blink (2 times)	●	Blink (6 times)	Blink (5 times)	○	○	●	●
Discharge temp. sensor error	Discharge temp. sensor 1 error	Blink (2 times)	●	Blink (7 times)	Blink (1 time)	○	○	○	●
Compressor temp. sensor error	Compressor temp. sensor 1 error	Blink (2 times)	●	Blink (7 times)	Blink (2 times)	○	○	○	●
Outdoor unit Heat Ex. sensor error	Heat Ex. center temp. sensor error	Blink (2 times)	●	Blink (7 times)	Blink (3 times)	○	○	●	○
	Outdoor unit Heat Ex. liquid temp. sensor error	Blink (2 times)	●	Blink (7 times)	Blink (3 times)	○	○	●	●
Outdoor temp. sensor error	Outdoor temp. sensor error	Blink (2 times)	●	Blink (7 times)	Blink (4 times)	○	○	○	●
Heat sink temp. sensor error	Heat sink temp. sensor error	Blink (2 times)	●	Blink (7 times)	Blink (7 times)	○	○	○	●
Current sensor error	Current sensor 1 error (stoppage permanently)	Blink (2 times)	●	Blink (8 times)	Blink (4 times)	○	○	○	●
Pressure sensor error	High pressure switch 1 error	Blink (2 times)	●	Blink (8 times)	Blink (6 times)	○	●	○	○
	Pressure sensor error	Blink (2 times)	●	Blink (8 times)	Blink (6 times)	○	●	●	○
Trip detection	Trip detection	Blink (2 times)	●	Blink (9 times)	Blink (4 times)	○	○	○	●
Compressor motor control error	Rotor position detection error (stoppage permanently)	Blink (2 times)	●	Blink (9 times)	Blink (5 times)	○	○	○	●
Outdoor unit fan motor 1 error	Duty abnormal	Blink (2 times)	●	Blink (9 times)	Blink (7 times)	○	○	●	●
Outdoor unit fan motor 2 error	Duty abnormal	Blink (2 times)	●	Blink (9 times)	Blink (8 times)	○	○	●	●
4-way valve error	4-way valve error	Blink (2 times)	●	Blink (9 times)	Blink (9 times)	○	○	○	●
Discharge temp. 1 error	Discharge temp. 1 error	Blink (2 times)	●	Blink (10 times)	Blink (1 time)	○	○	○	●
Compressor temp. error	Compressor 1 temp. error	Blink (2 times)	●	Blink (10 times)	Blink (3 times)	○	○	○	●
Pressure error 2	Low pressure error	Blink (2 times)	●	Blink (10 times)	Blink (5 times)	○	○	○	●
IPM error	Temp. error	Blink (2 times)	●	Blink (6 times)	Blink (5 times)	○	○	○	●
Heat sink temp. error	Heat sink temp. error	Blink (2 times)	●	Blink (10 times)	Blink (12 times)	○	○	●	●

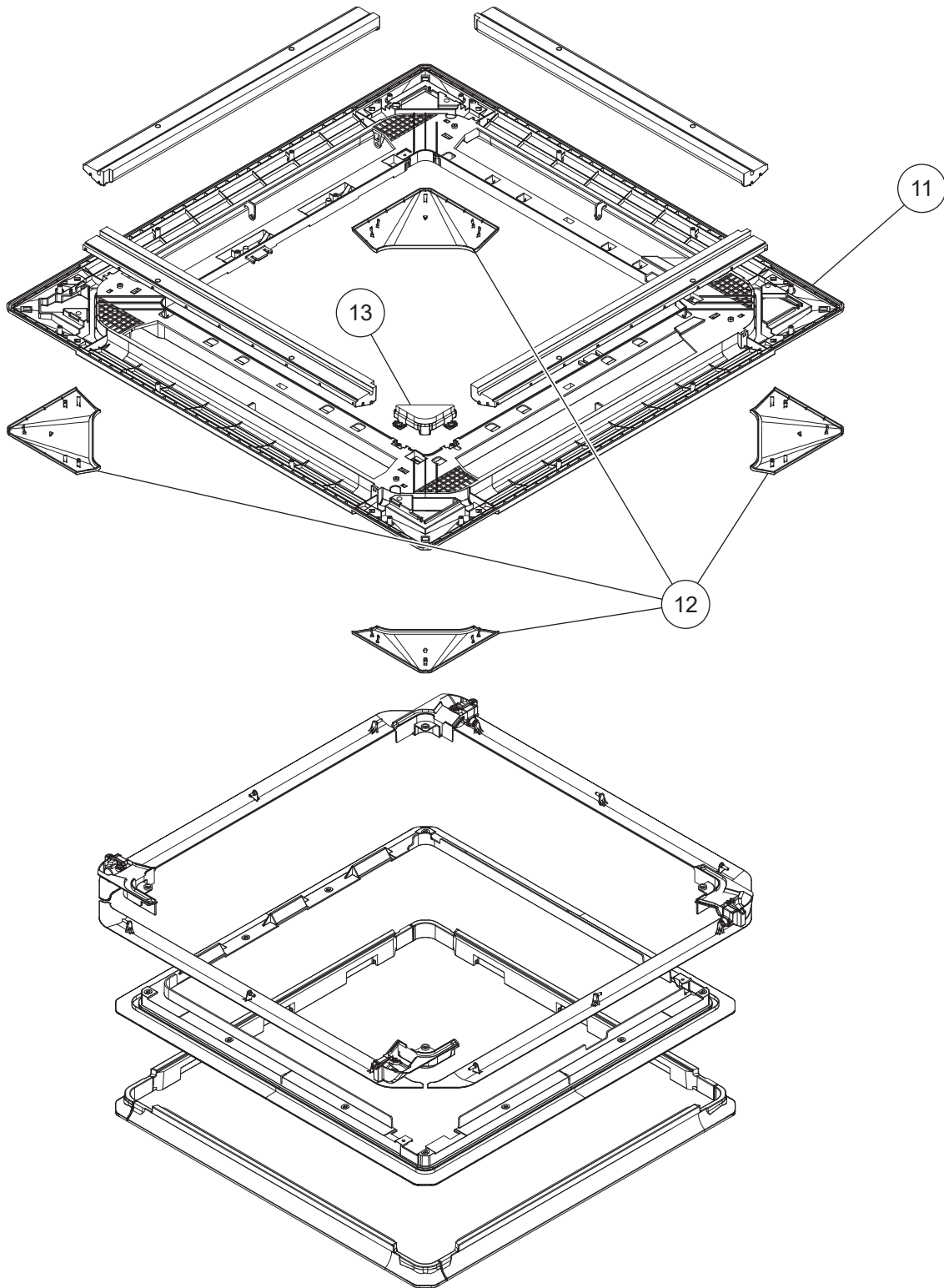
Parts

DECORATION PANEL
UTG-UKYC-W



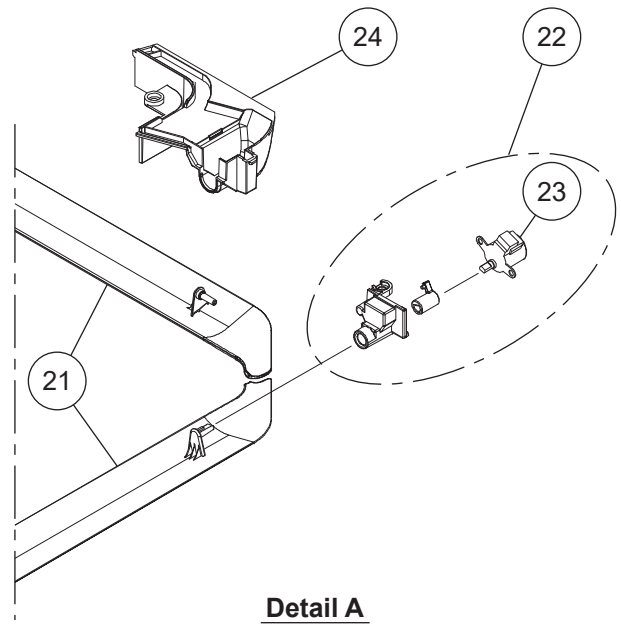
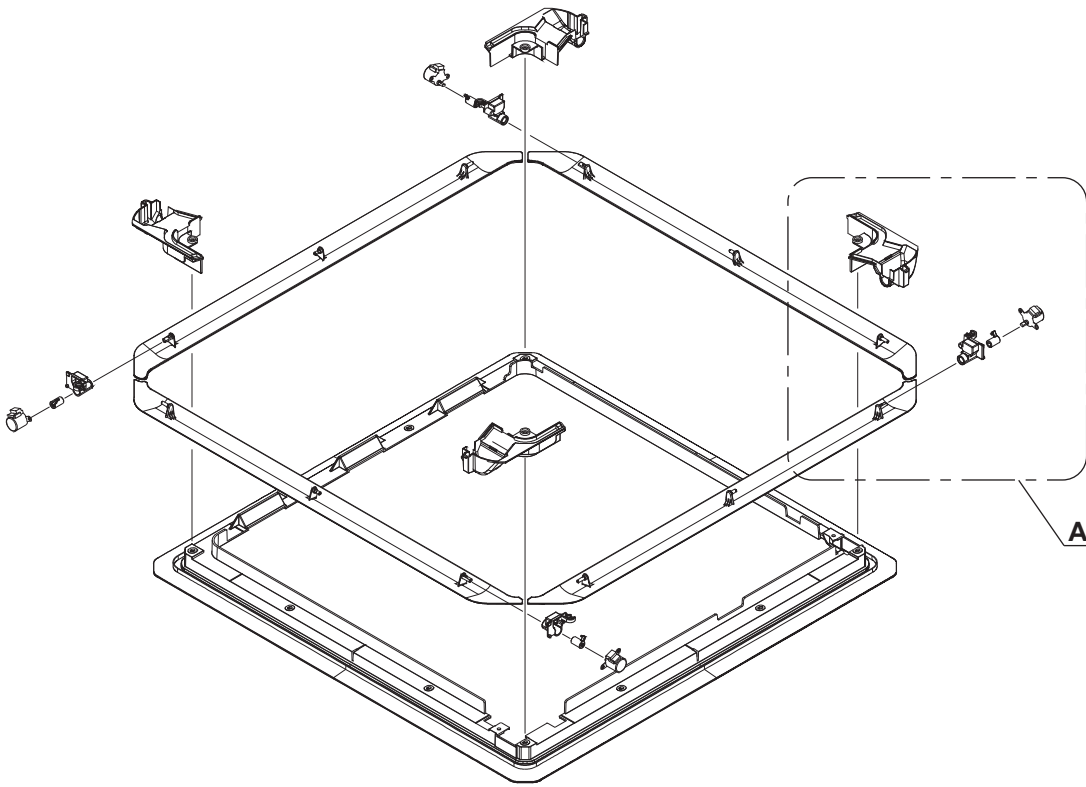
Ref No.	Description	Parts No.
1	Intake Grille Assy	9381691005
2	Long Life Filter	9378252028
3	Filter Guide	9378253018
4	Hook Wire	9378597020

DECORATION PANEL
 UTG-UKYC-W



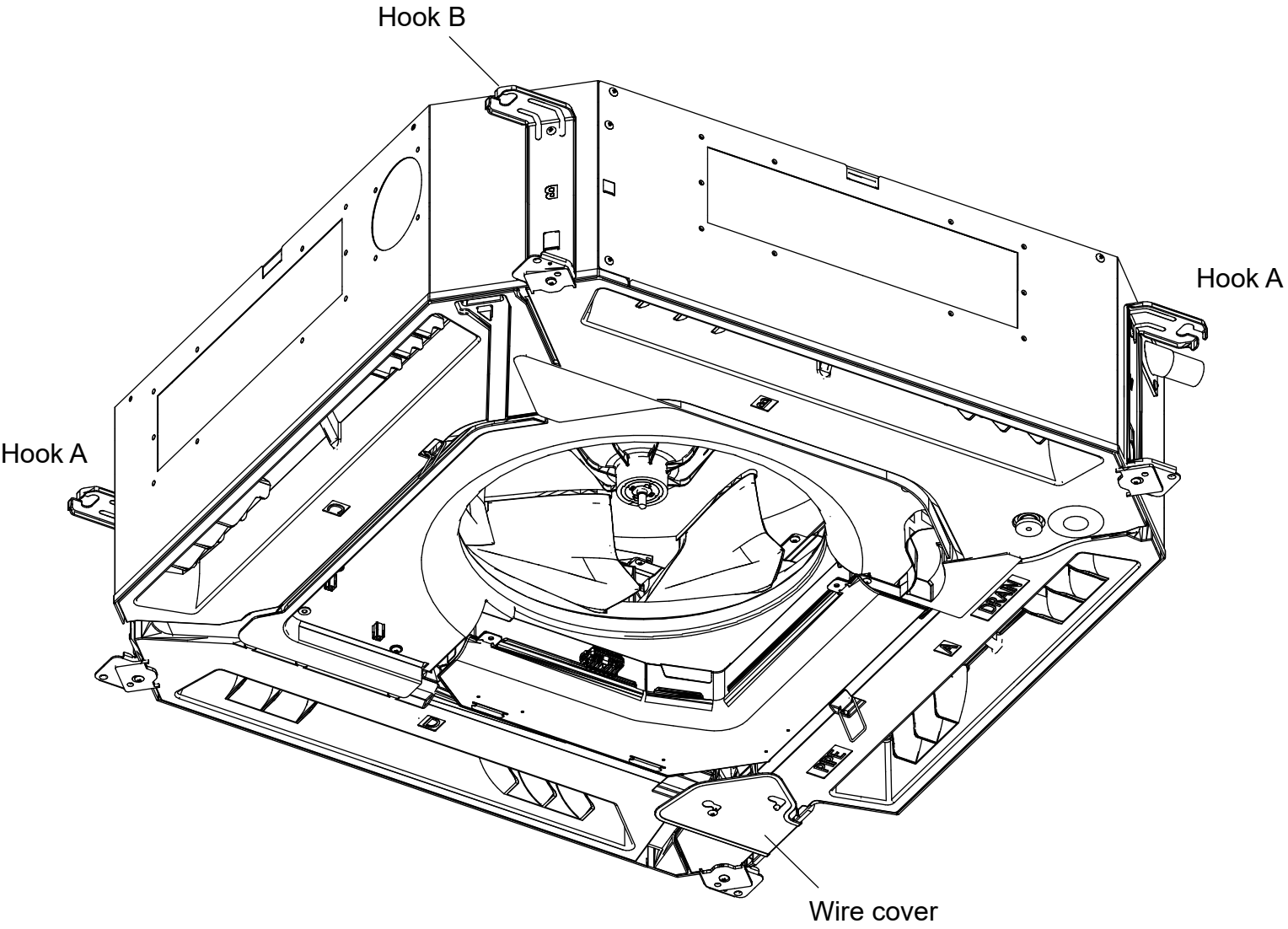
Ref No.	Description	Parts No.
11	Decoration Panel	9381352005
12	Corner Panel Assy	9381711000
13	Drain Cover Assy	9381713004

DECORATION PANEL
UTG-UKYC-W

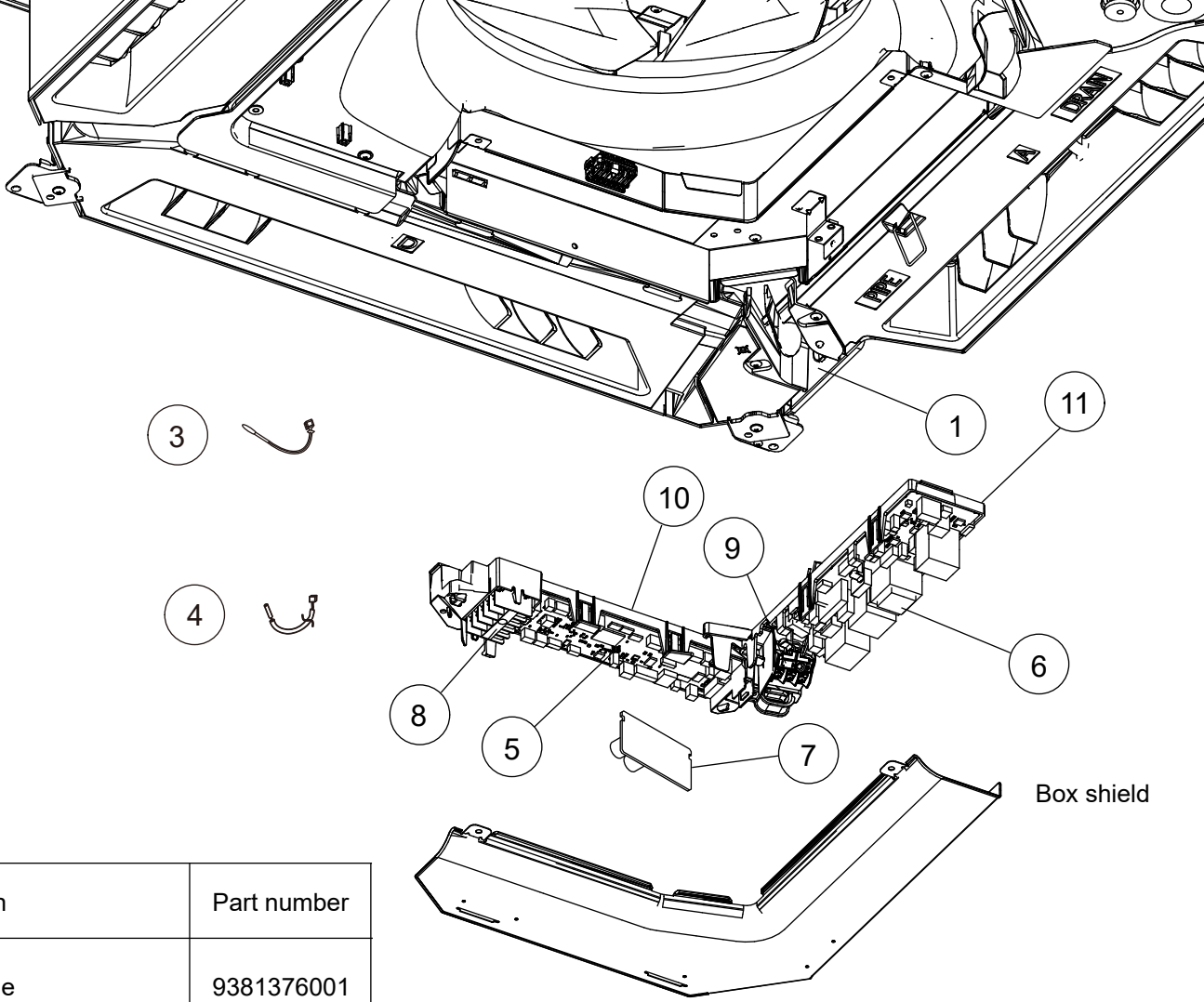


Ref No.	Description	Parts No.
21	Louver Assy	9381693009
22	Motor Case Assy	9381712007
23	Step Motor	9900885007
24	Motor Cover	9381354009
	Wire (Step Motor)	9710175008

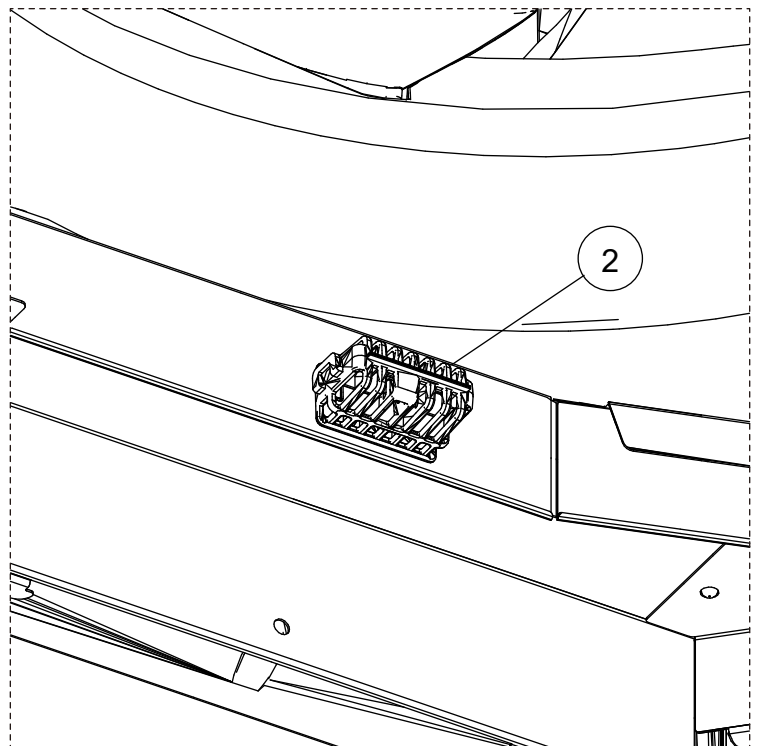
INDOOR UNIT
AUXG24KRLB
AUXG30KRLB
AUXG36KRLB
AUXG45KRLB
AUXG54KRLB



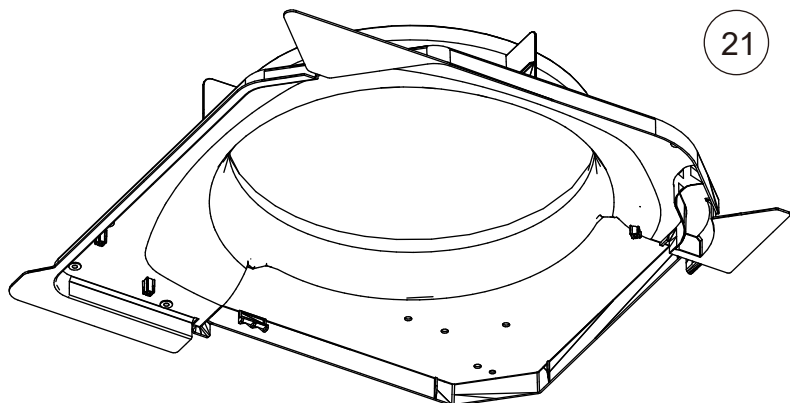
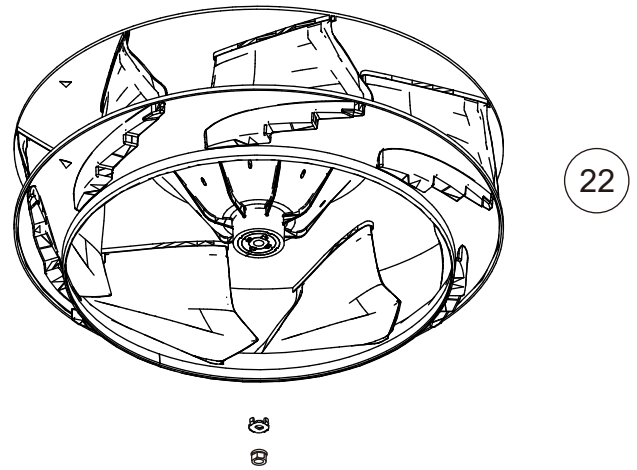
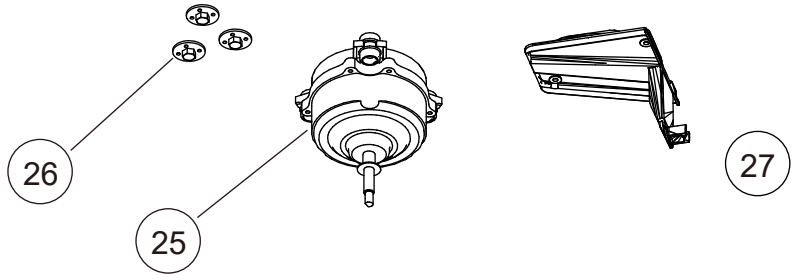
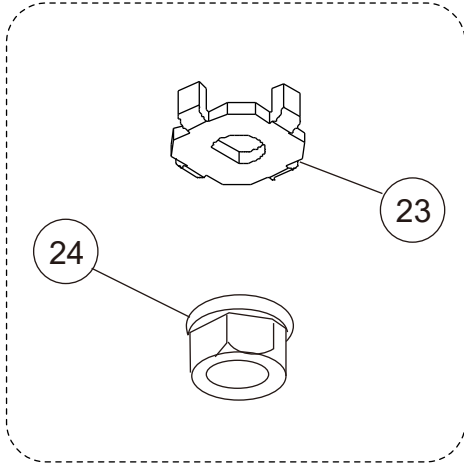
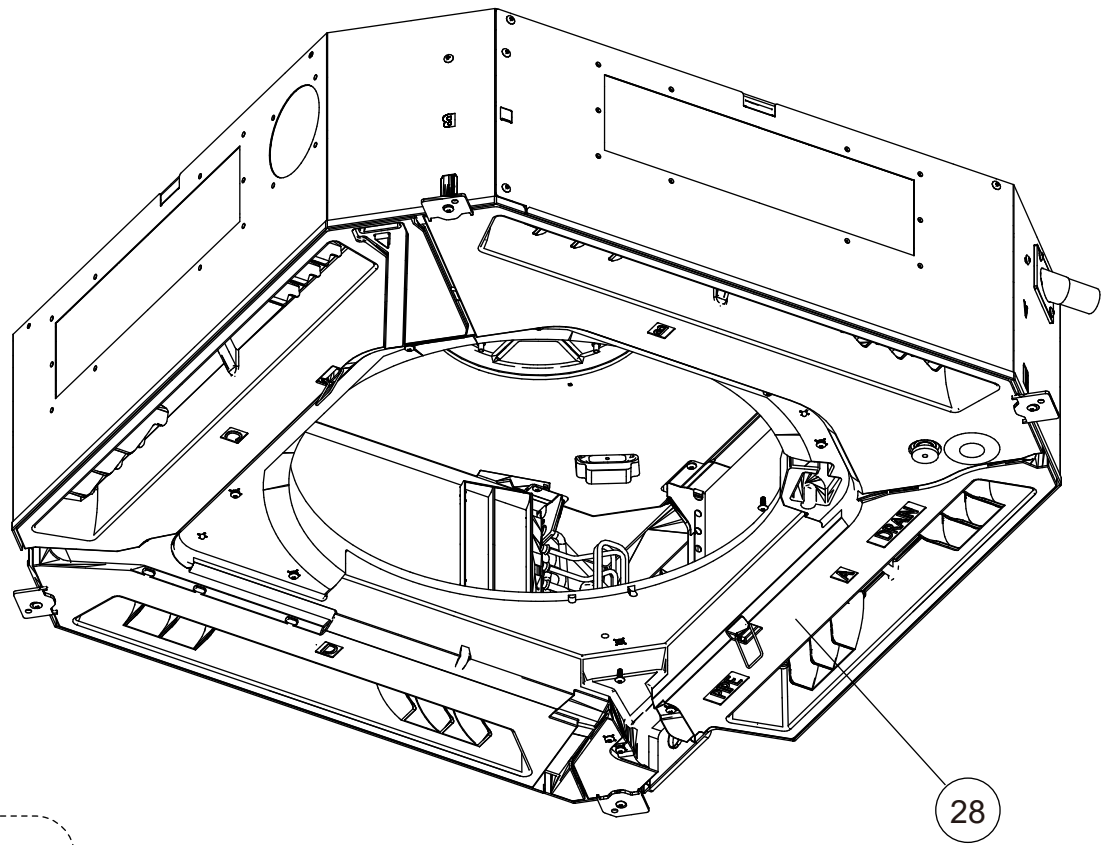
INDOOR UNIT
 AUXG24KRLB
 AUXG30KRLB
 AUXG36KRLB
 AUXG45KRLB
 AUXG54KRLB



Ref.	Description	Part number
1	Cable guide	9381376001
2	Room thermistor Holder	9381348008
3	Room thermistor	9900822002
4	Pipe Thermistor	9900942014
5	Main PCB (AUXG24KRLB)	9710995873
5	Main PCB (AUXG30KRLB)	9710995880
5	Main PCB (AUXG36KRLB)	9710995897
5	Main PCB (AUXG45KRLB)	9710995903
5	Main PCB (AUXG54KRLB)	9710995910
6	Power PCB	9710022005
7	PCB (Non-polar 2-wire)	9710019005
8	Remote terminal 5P	9900896003
9	Power Terminal 3P	9900720032
10	Main PCB holder	9381350001
11	Power PCB Holder	9381349005

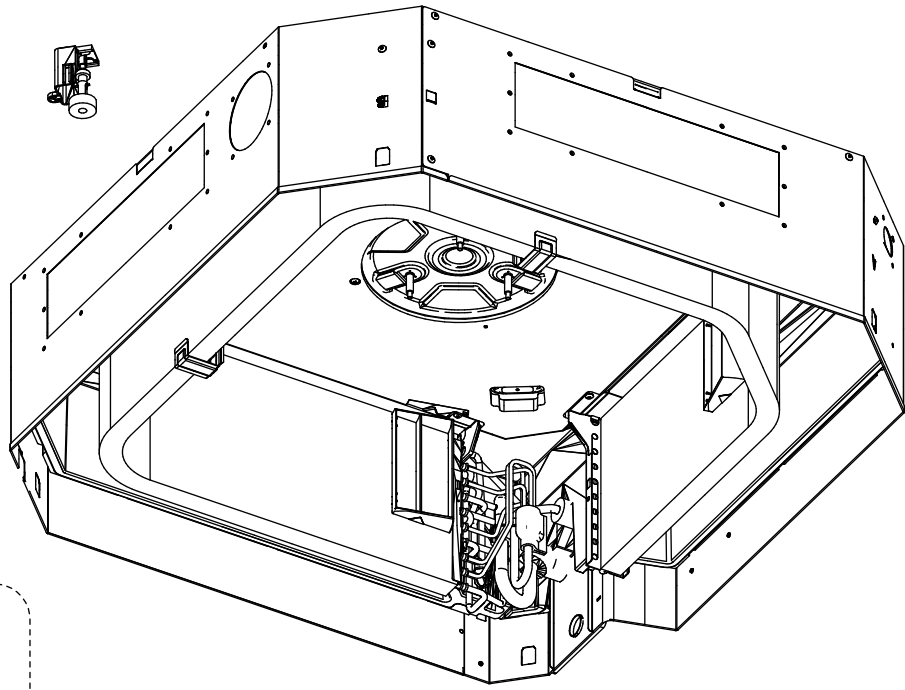


INDOOR UNIT
 AUXG24KRLB
 AUXG30KRLB
 AUXG36KRLB
 AUXG45KRLB
 AUXG54KRLB

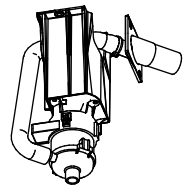


Ref.	Description	Part number
21	Bellmouth (24)	9381484003
21	Bellmouth (30,36,45,54)	9381345007
22	Turbo fan assy	9381303007
23	Turbo Fan Washer	9378394018
24	Nut	9356998009
25	Brushless motor	9603443009
26	Special Nut	9378388017
27	Motor Wire Holder	9381351008
28	Drain pan sub assy	9381789009

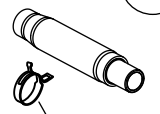
INDOOR UNIT
 AUXG24KRLB
 AUXG30KRLB
 AUXG36KRLB
 AUXG45KRLB
 AUXG54KRLB



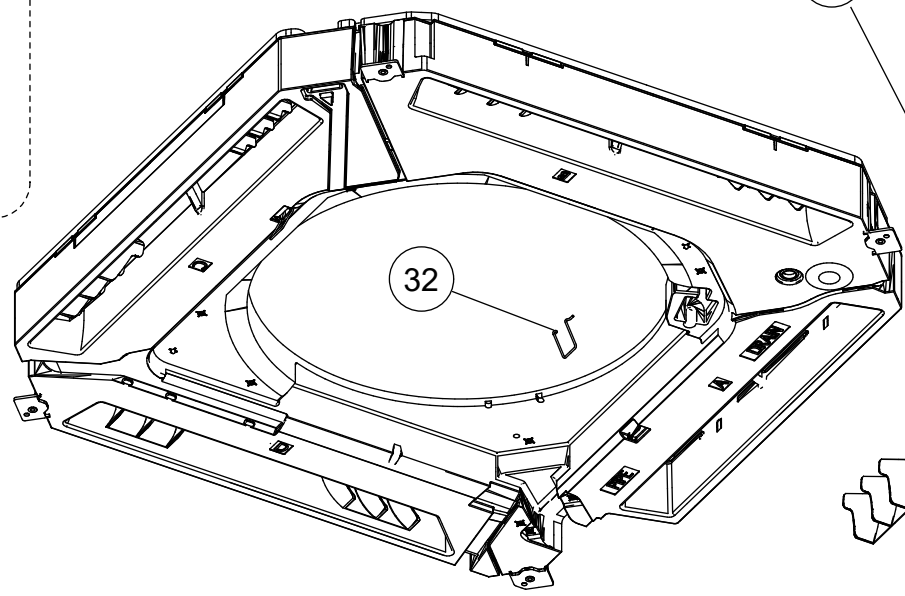
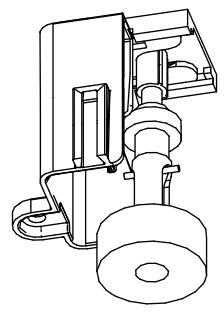
39



37



38



31

32

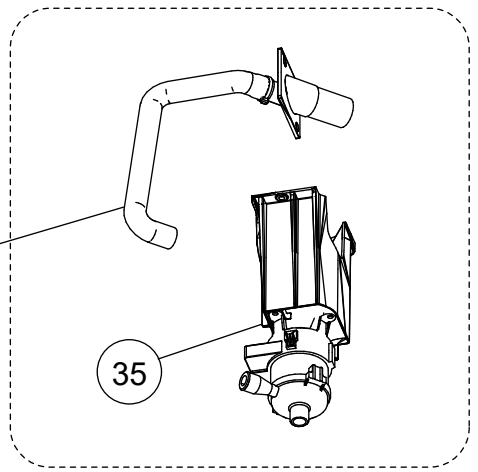
33

34



Ref.	Description	Part number
31	Drain Cap	9375502010
32	Panel Hook	9375671013
33	Vane L	9381745012
34	Vane R	9381744008
35	Drain Pump Sub Assy	9381793006
36	Drain Port Sub Assy	9381788002
37	Drain Hose	9379665001
38	Hose Band	9379757010
39	Float Switch Sub Assy	9381794003

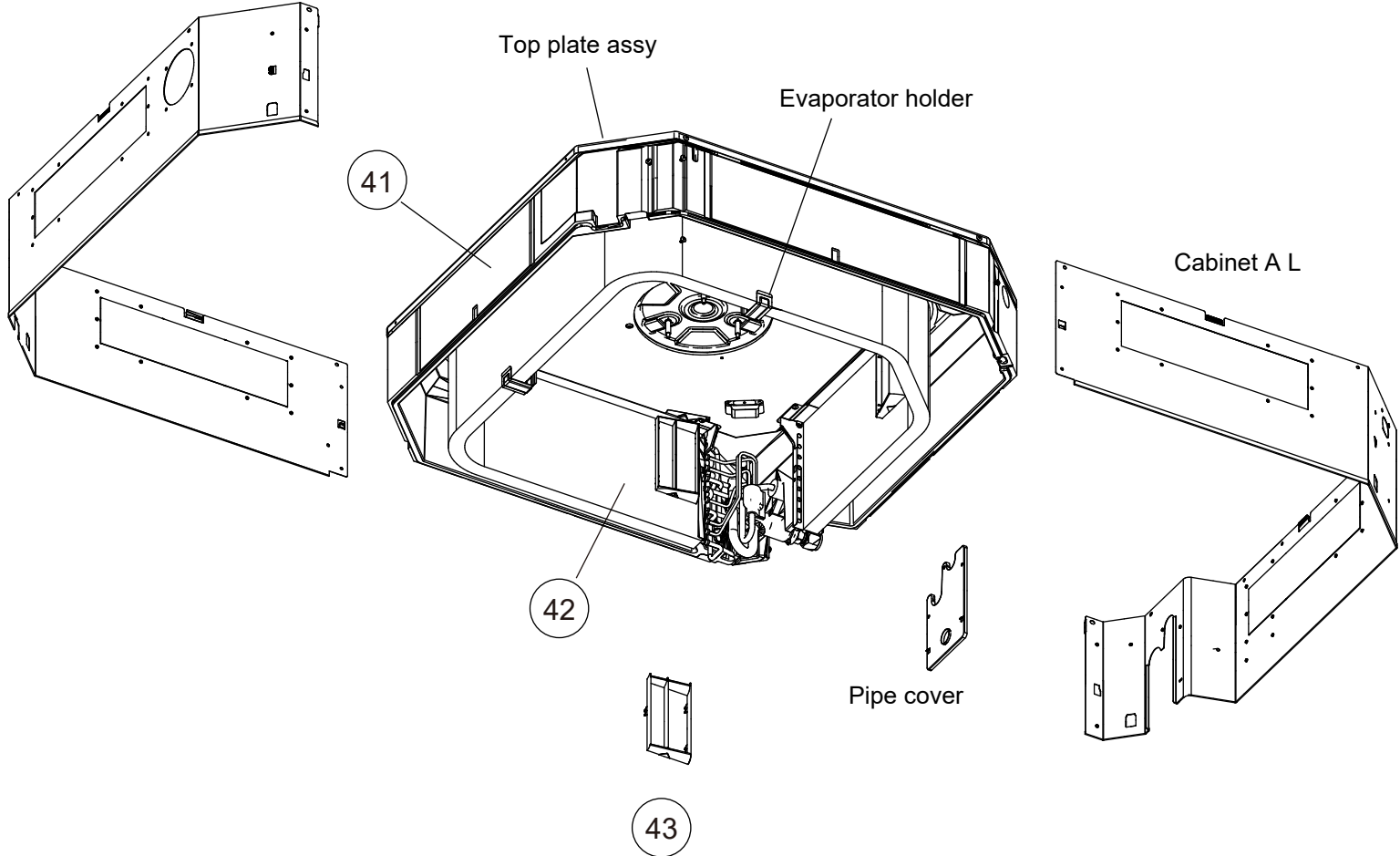
36



35

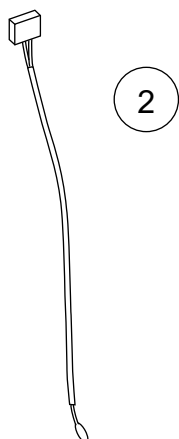
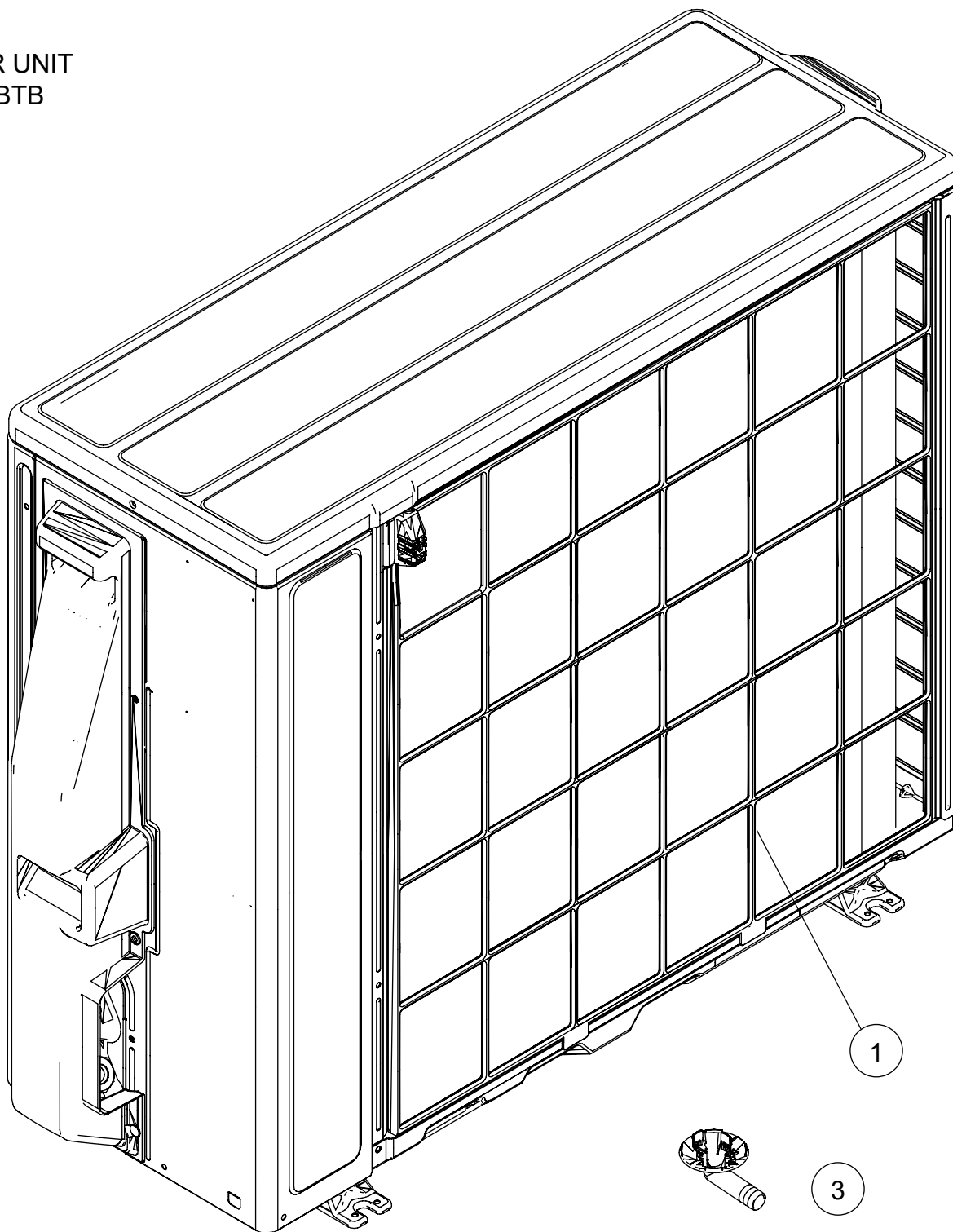
INDOOR UNIT
 AUXG24KRLB
 AUXG30KRLB
 AUXG36KRLB
 AUXG45KRLB
 AUXG54KRLB

Cabinet B sub assy



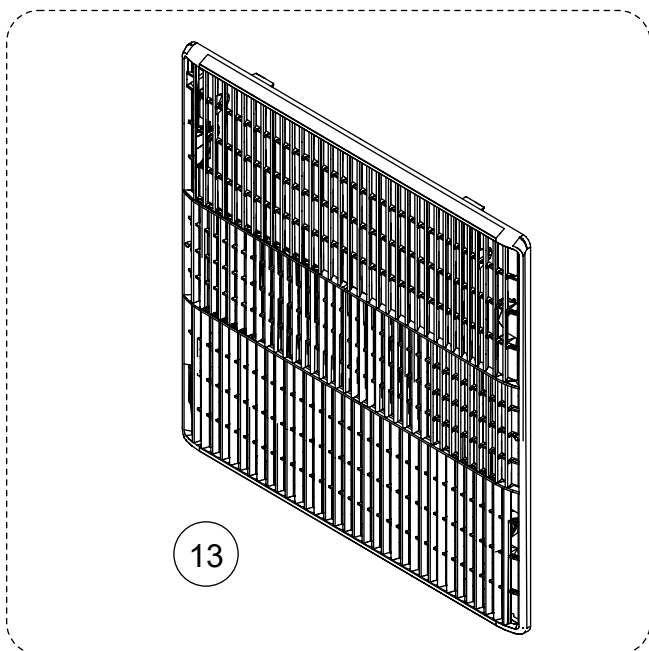
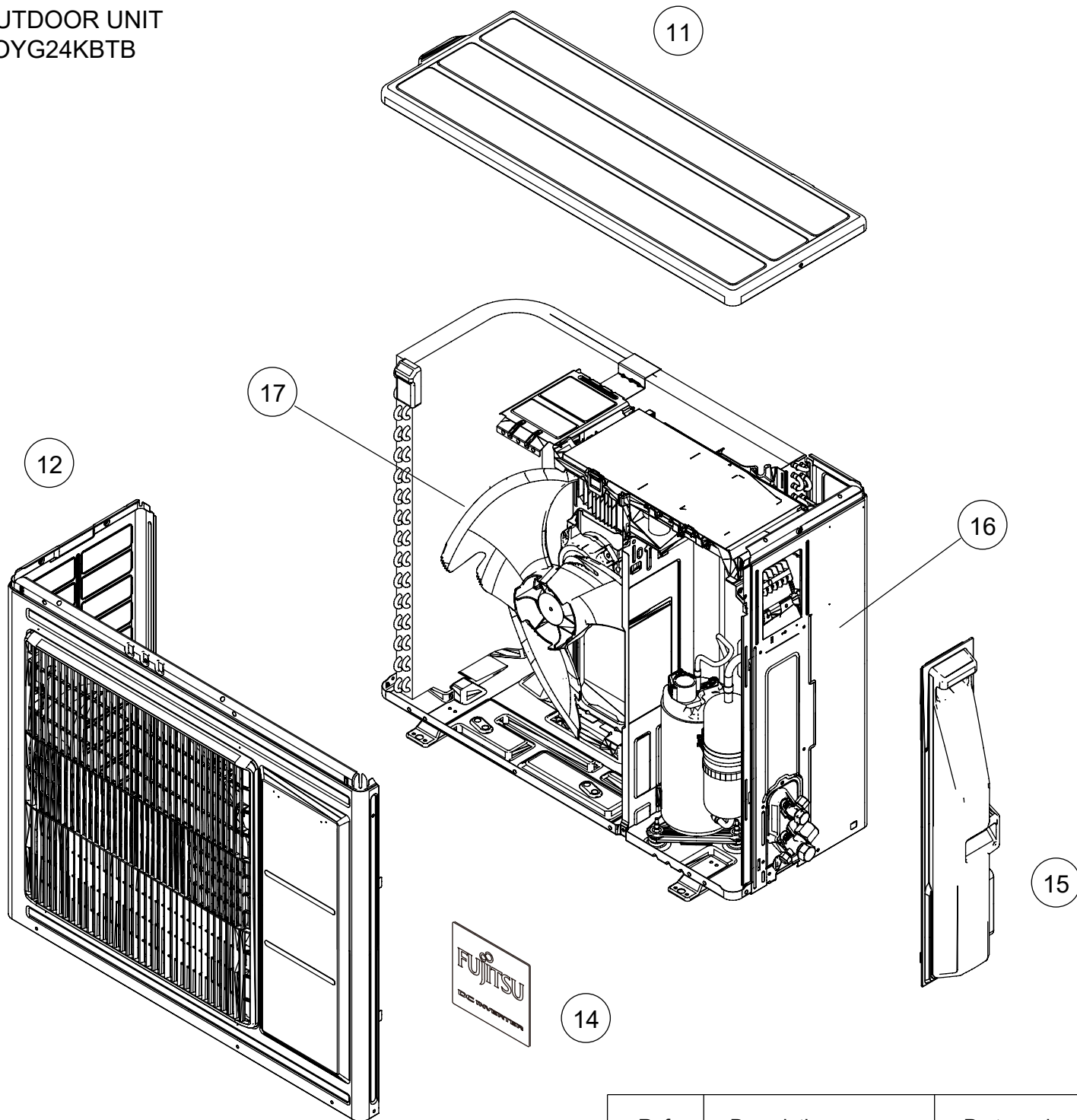
Ref.	Description	Part number
41	Insulation Box Sub Assy (24)	9381787012
41	Insulation Box Sub Assy (30,36,45,54)	9381787005
42	Evaporator Total Assy (24)	9378580664
42	Evaporator Total Assy (30)	9378580671
42	Evaporator Total Assy (36,45,54)	9378580688
43	Wind Guide Board	9382125004

OUTDOOR UNIT
AOYG24KBTB



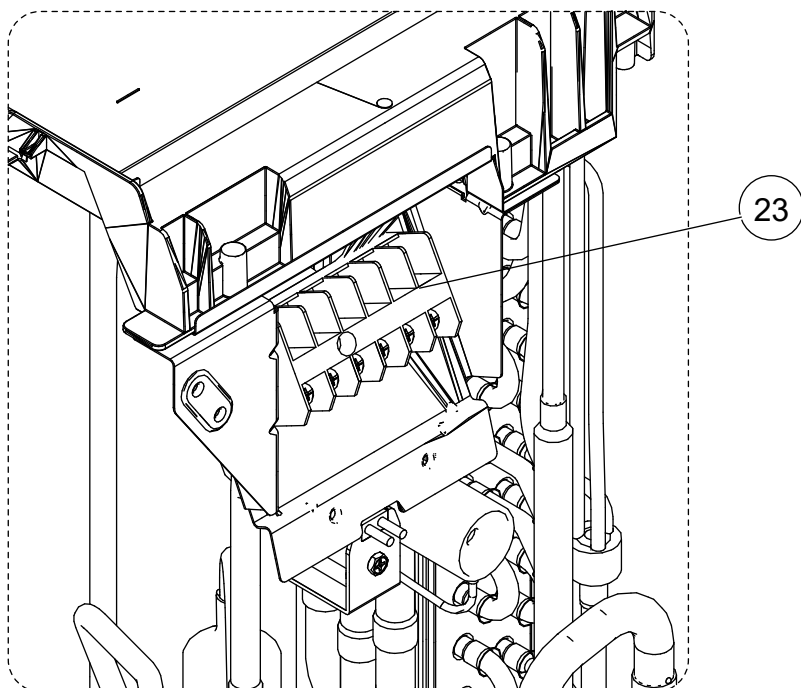
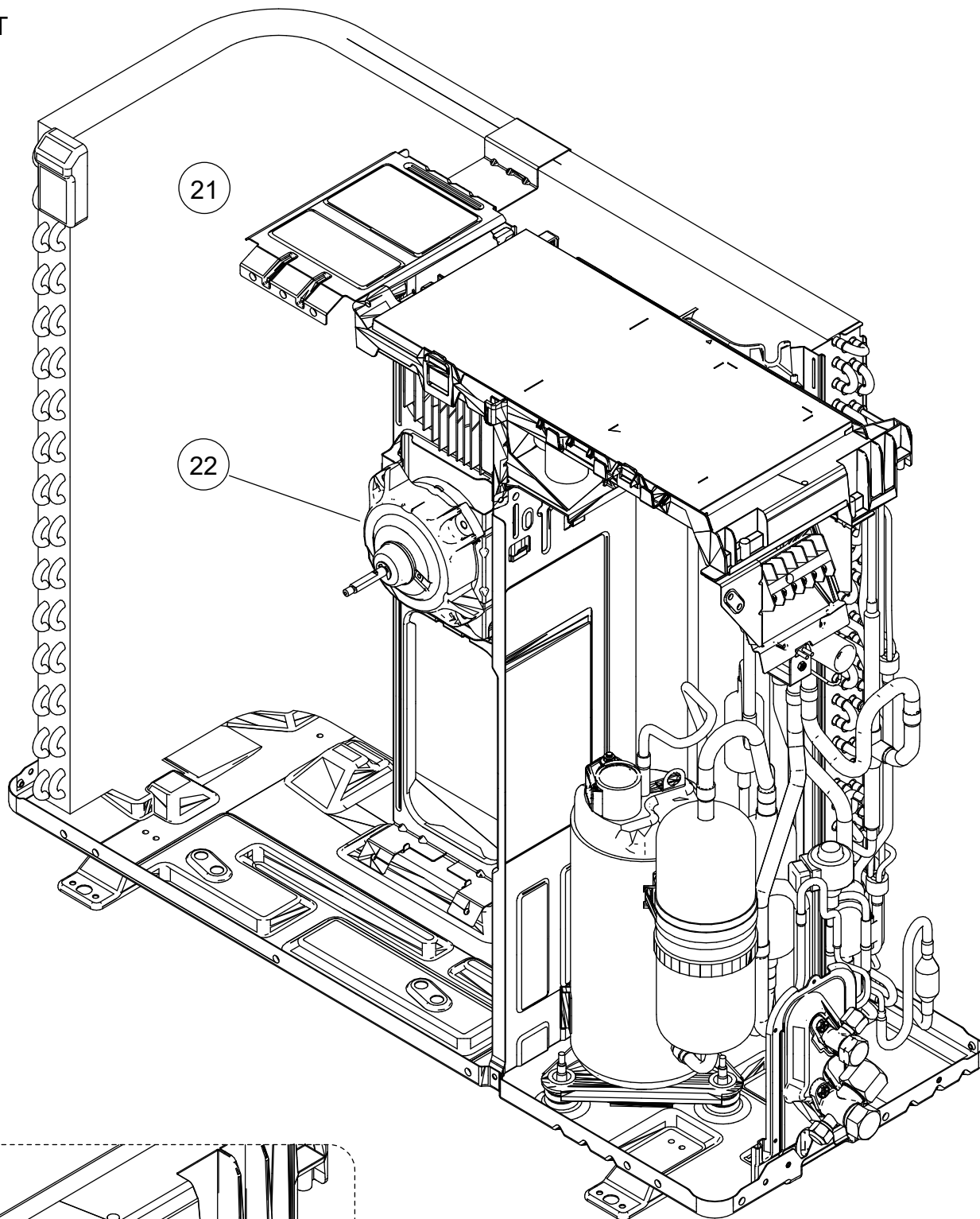
Ref.	Description	Part number
1	Protective net assy	9322811042
2	Outdoor thermistor	9900585060
3	Drain pipe	9322144003

OUTDOOR UNIT
AOYG24KBTB



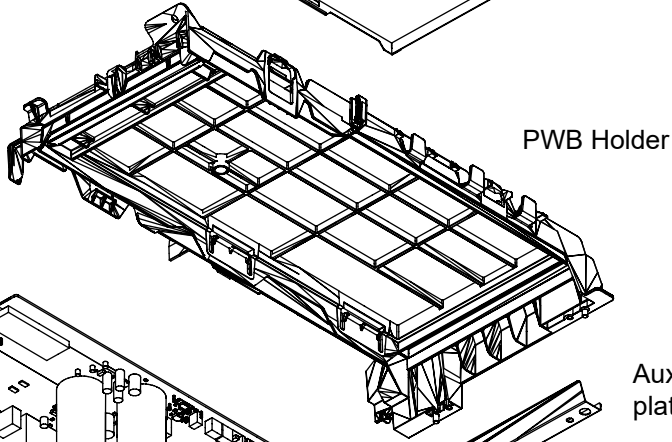
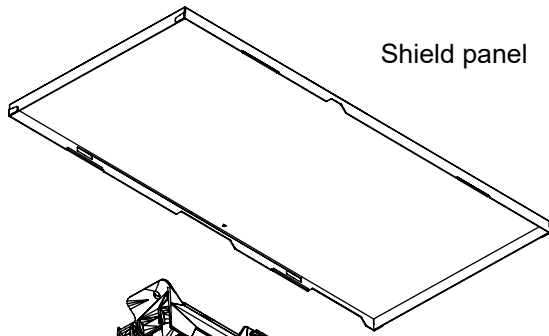
Ref.	Description	Part number
11	Top panel assy	9322556073
12	Front panel assy	9322555038
13	Blow grille	9322149008
14	Emblem	9319151007
15	Switch cover assy	9322570031
16	Cabinet right Assy	9322552150
17	Propeller fan	9322150004

OUTDOOR UNIT
AOYG24KBTB

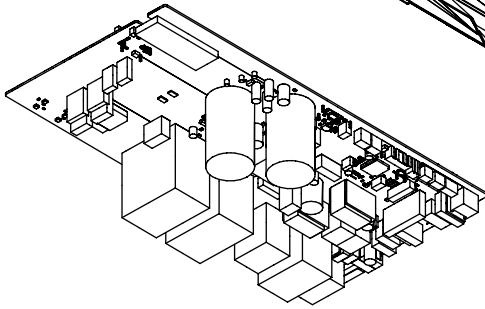


Ref.	Description	Part number
21	Motor bracket assy	9322553034
22	Brushless motor	9603601003
23	Terminal	9900435028

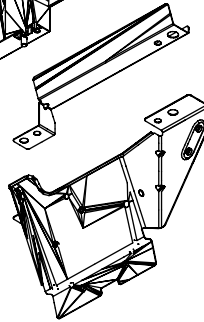
OUTDOOR UNIT
AOYG24KBTB



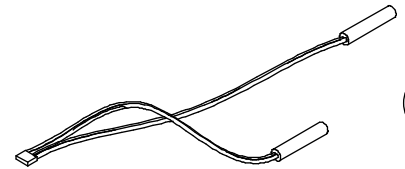
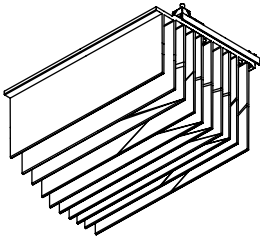
31



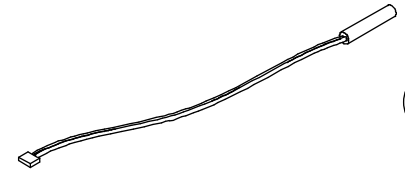
Auxiliary plate



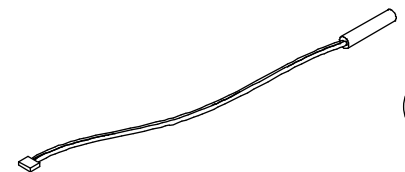
Terminal bracket assy



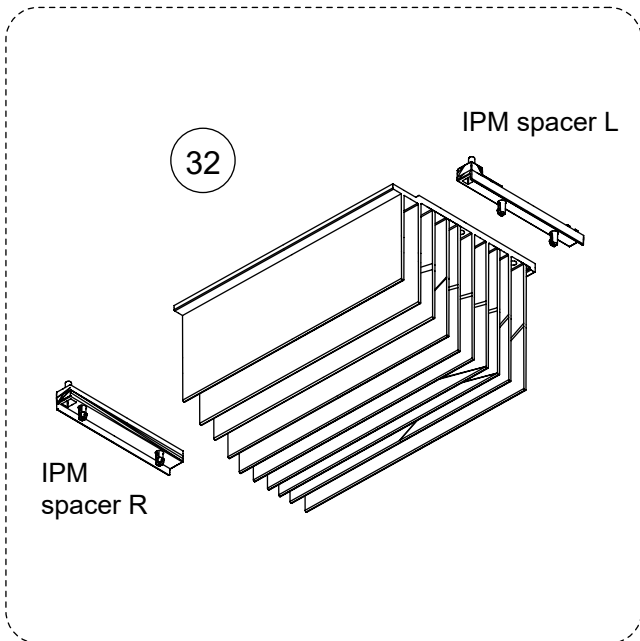
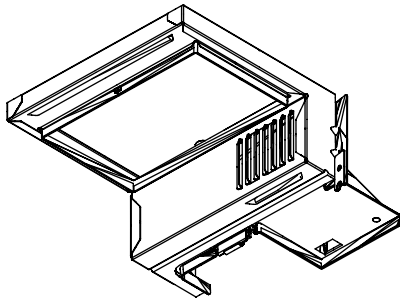
33



34

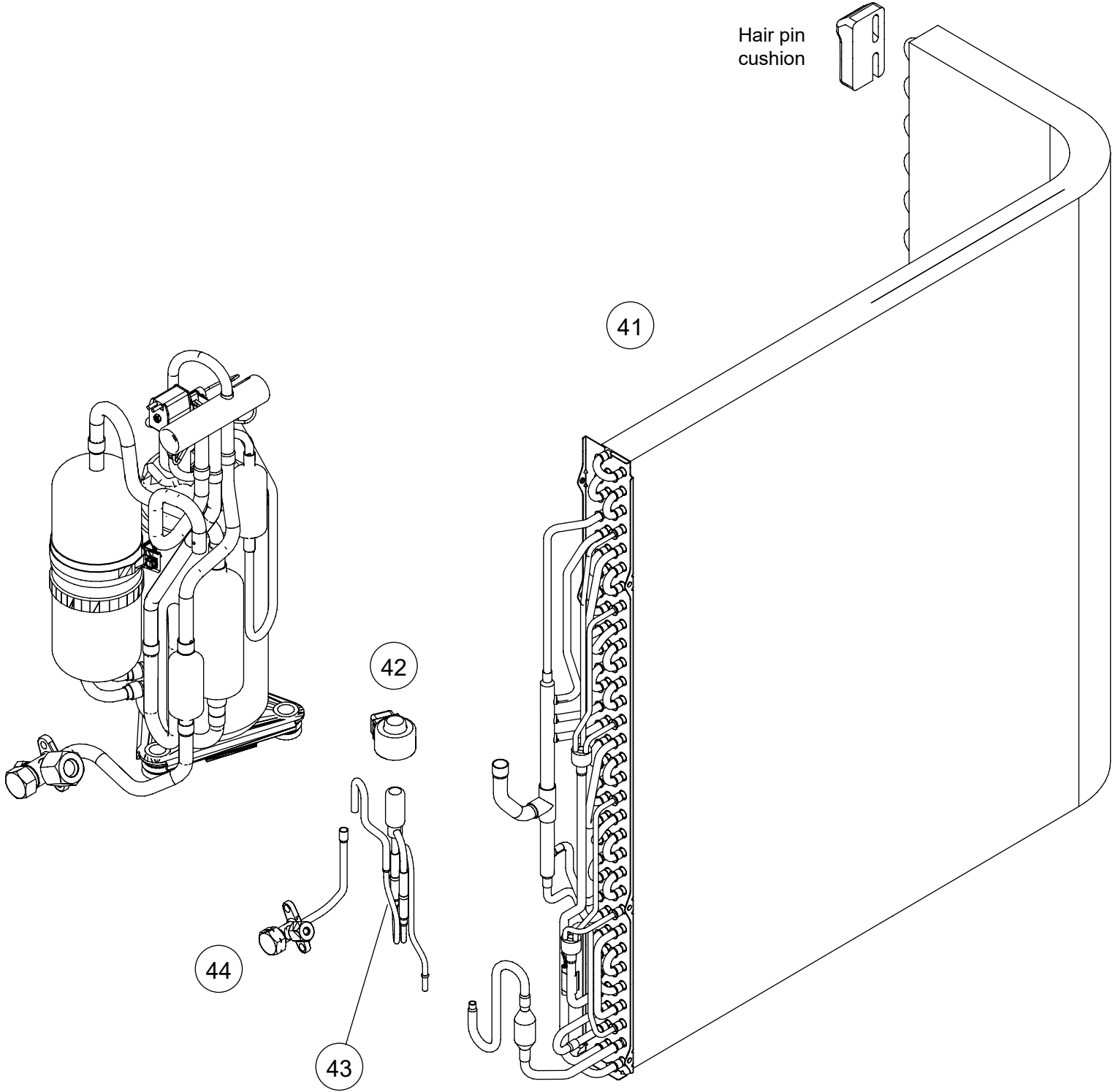


35



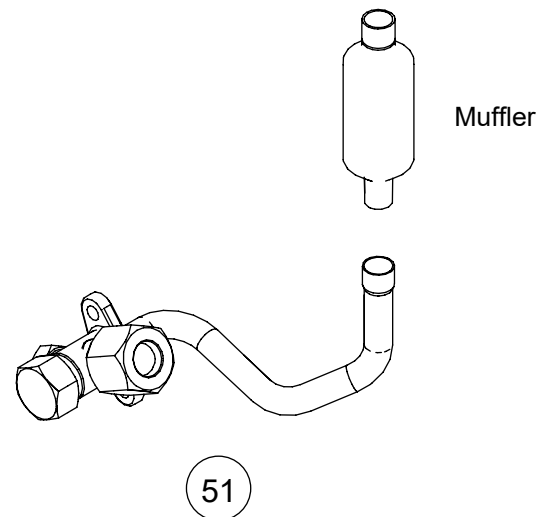
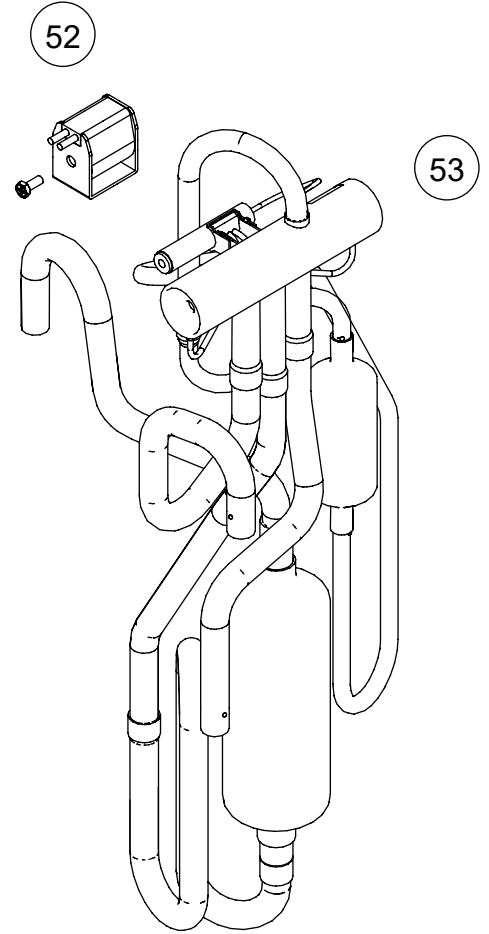
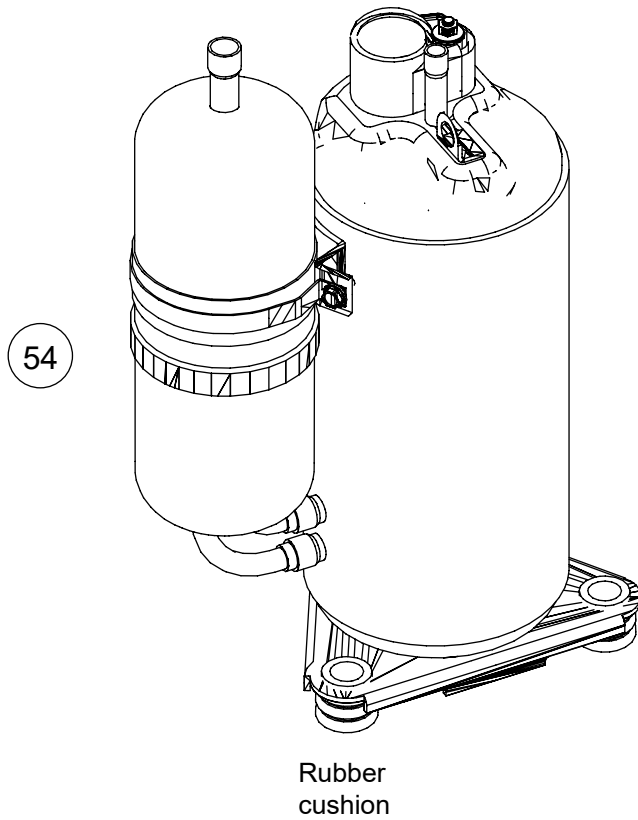
Ref.	Description	Part number
31	Main PCB, Service unit	9709683408
32	Heatsink	9322421043
33	Thermistor assy	9900727116
34	Heat exchanger thermistor	9900984014
35	Compressor thermistor	9900985011

OUTDOOR UNIT
AOYG24KBTB



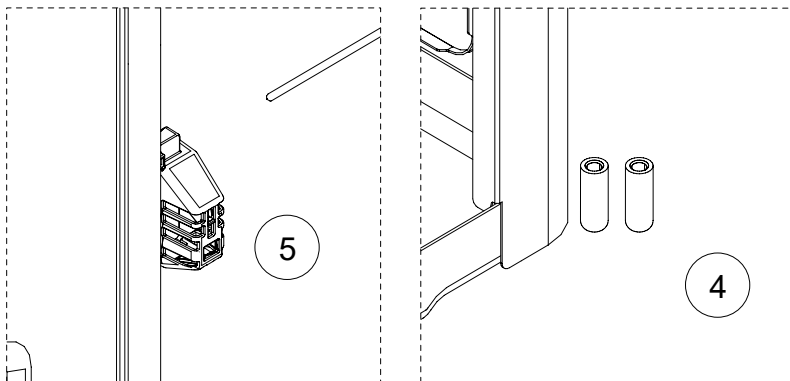
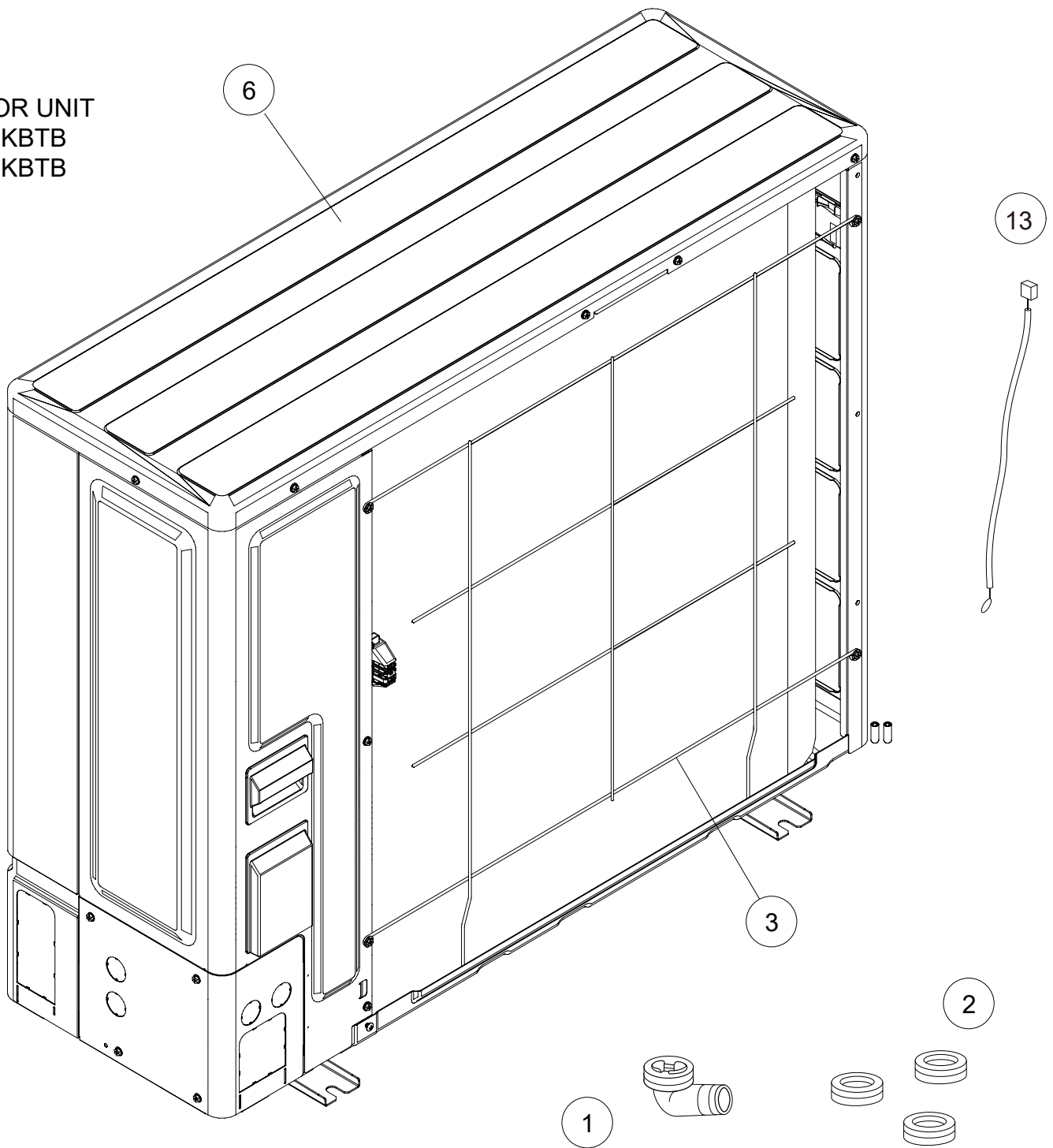
Ref.	Description	Part number
41	Condenser total assy	9317089630
42	Expansion valve coil	9970173028
43	Pulse motor valve assy	9322463029
44	2-way valve assy	9322474001

OUTDOOR UNIT
AOYG24KBTB



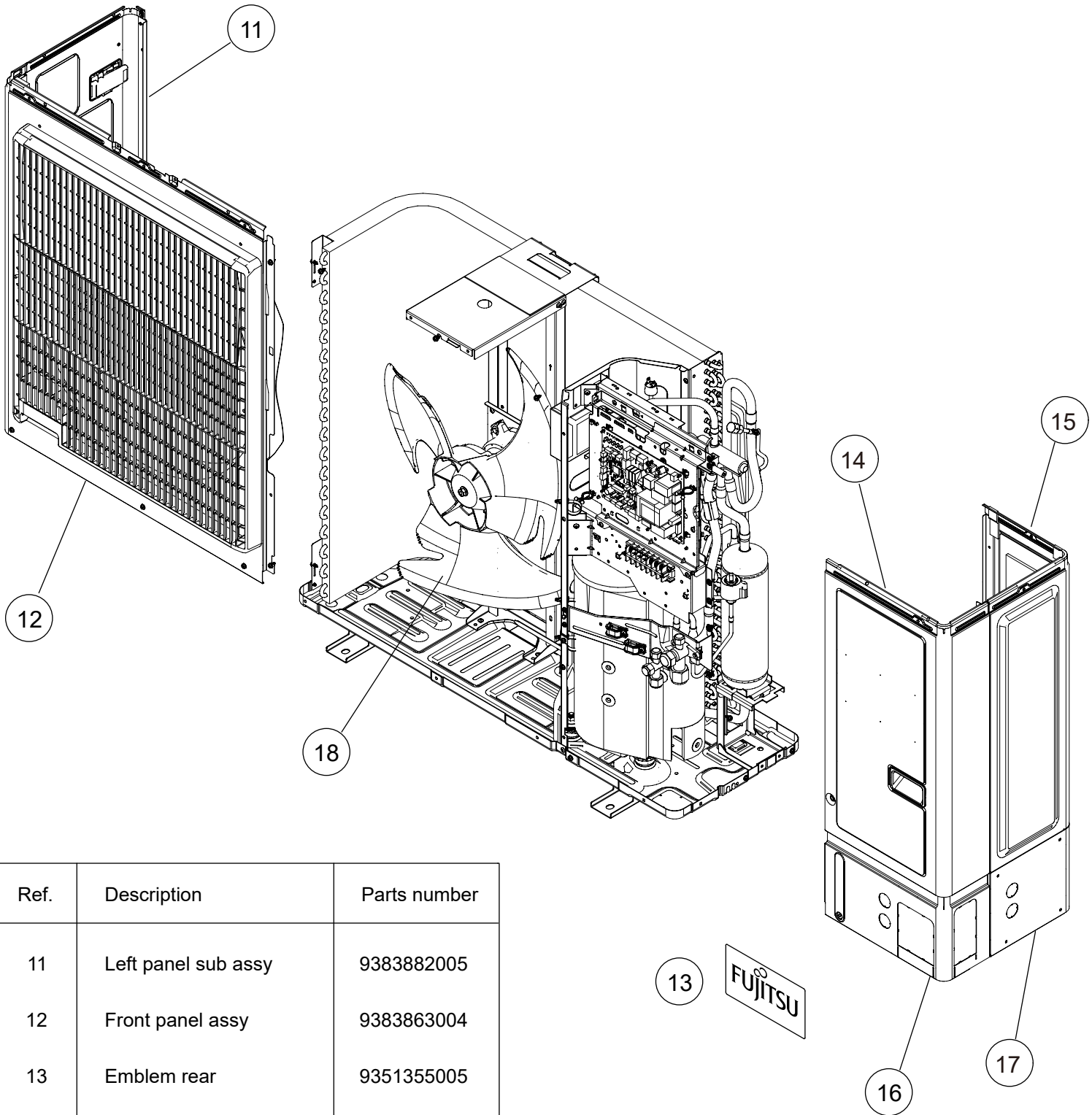
Ref.	Description	Part number
51	3-way valve assy	9387831016
52	Solenoid	9970206009
53	4-way valve assy	9383129025
54	Compressor	9810521002
-	S-insulator B	9322503008
-	S-insulator F	9322529008
-	S-insulator H	9322501004
-	S-insulator V	9323045002
-	S-insulator K	9322824004

OUTDOOR UNIT
AOYG30KBTB
AOYG36KBTB



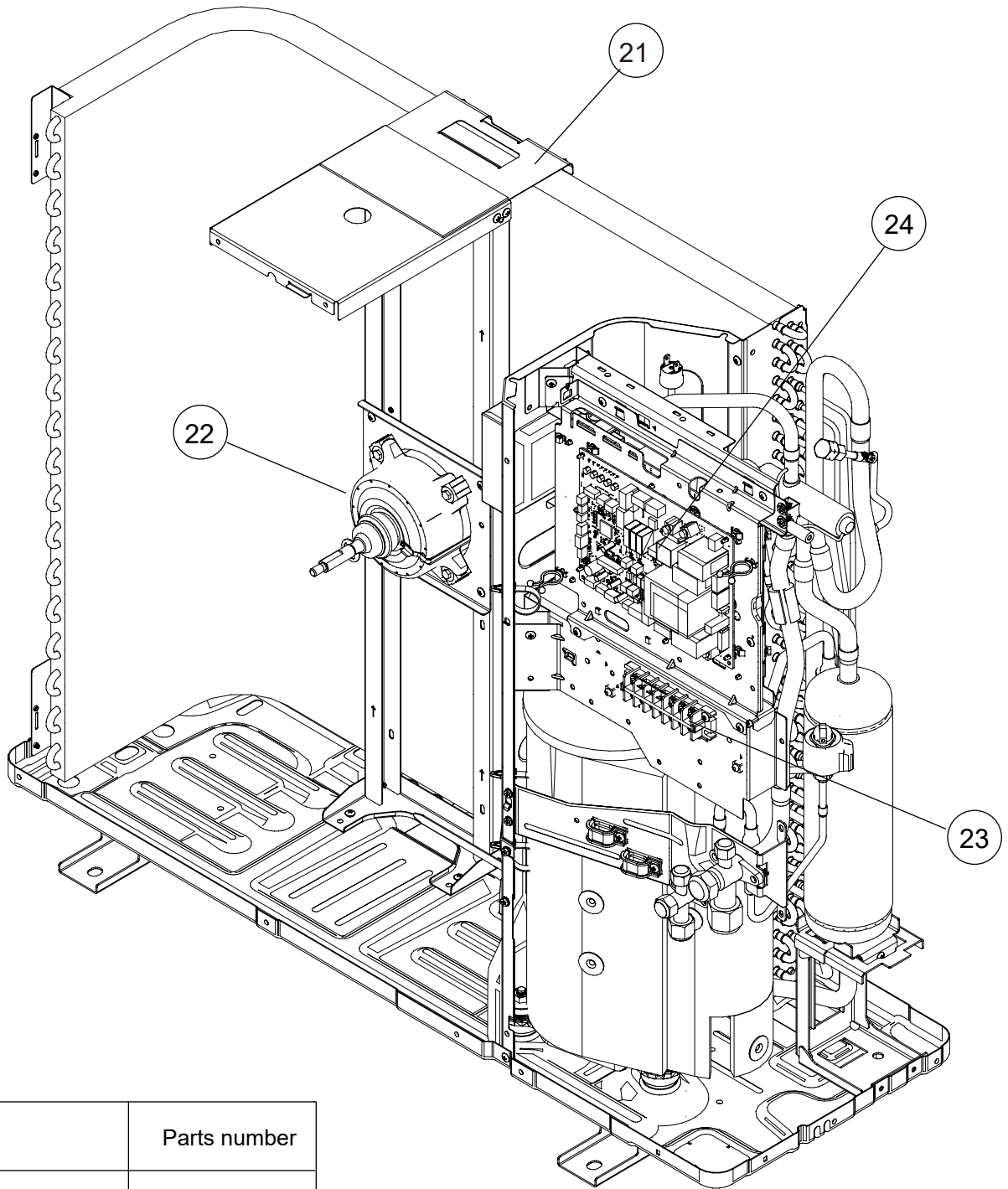
Ref.	Description	Parts number
1	Drain assy	9303029015
2	Drain cap	313166024302
3	Protective net rear	9383779008
4	Rubber (net)	9375361013
5	Thermo holder	9383607004
6	Top panel sub assy	9383880001
13	Outdoor Thermistor	9900565091

OUTDOOR UNIT
 AOYG30KBTB
 AOYG36KBTB

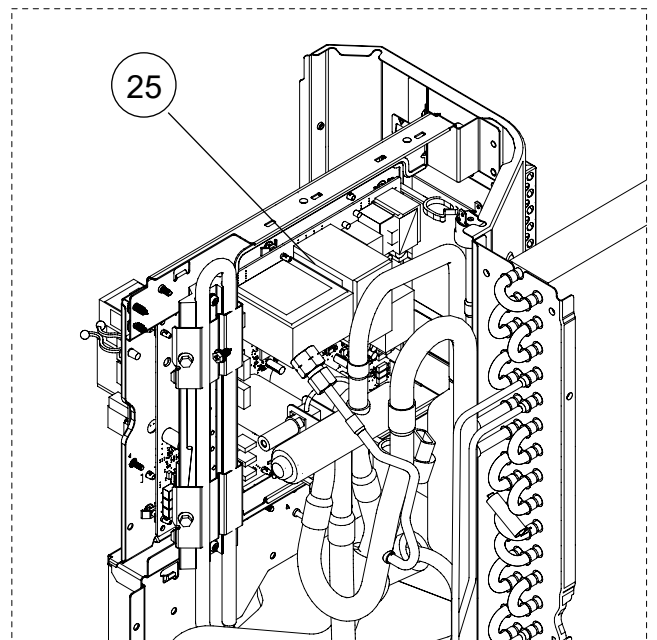


Ref.	Description	Parts number
11	Left panel sub assy	9383882005
12	Front panel assy	9383863004
13	Emblem rear	9351355005
14	Sevice panel sub assy	9383876004
15	Right panel sub assy	9383874000
16	Pipe cover front	9383878008
17	Pipe cover rear	9383879005
18	Propeller fan	9383336003

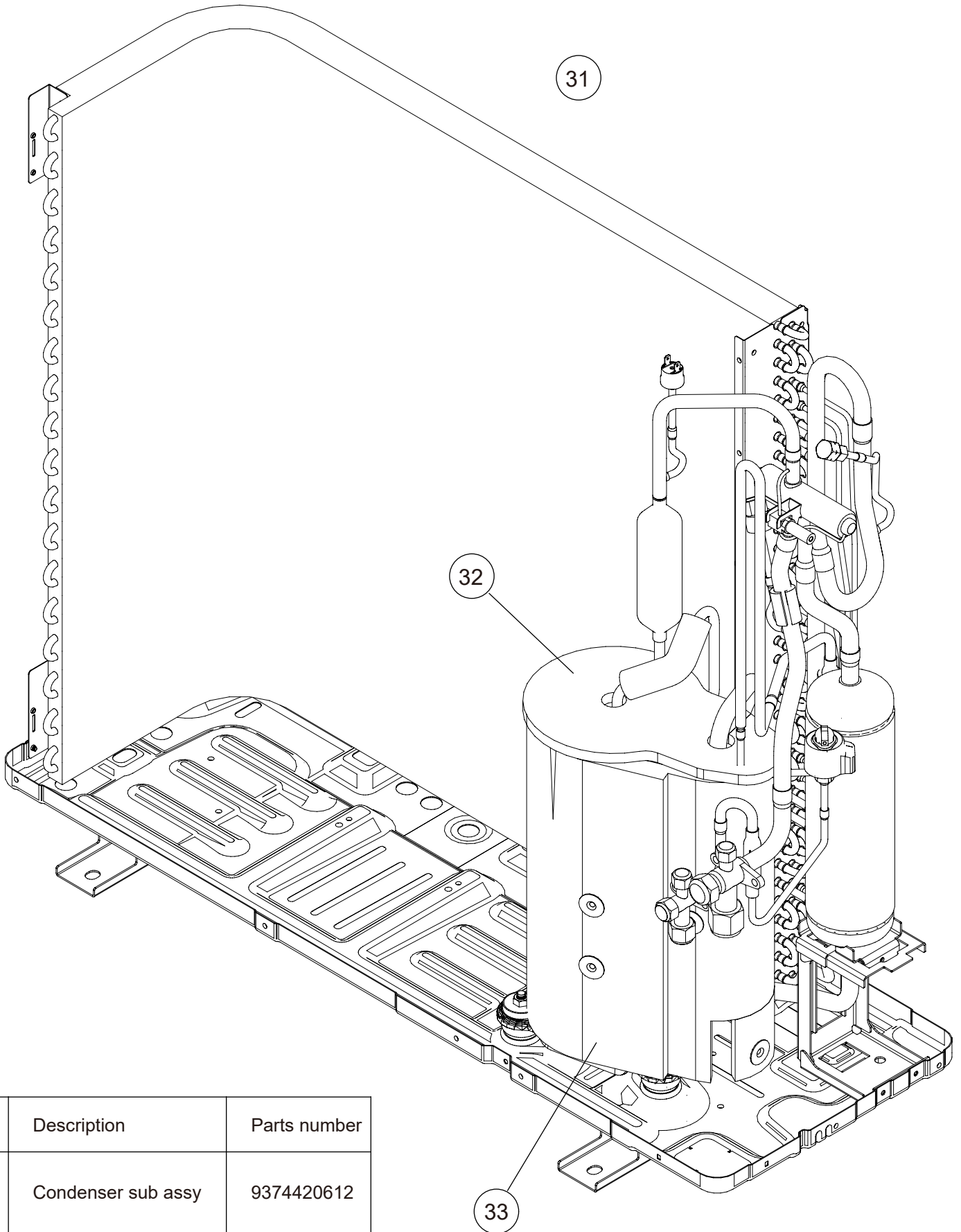
OUTDOOR UNIT
 AOYG30KBTB
 AOYG36KBTB



Ref.	Description	Parts number
21	Motor bracket assy	9383862007
22	Motor, DC Brushless	9603732011
23	Terminal 7P	9900203061
24	Main PCB (Service) (30)	9711431271
24	Main PCB (Service) (36)	9711431240
25	Inverter PCB (Service)	9709684108
--	Heat ex. thermistor	9900984038
--	Thermistor assy	9900727154
--	Compressor thermistor	9900985035



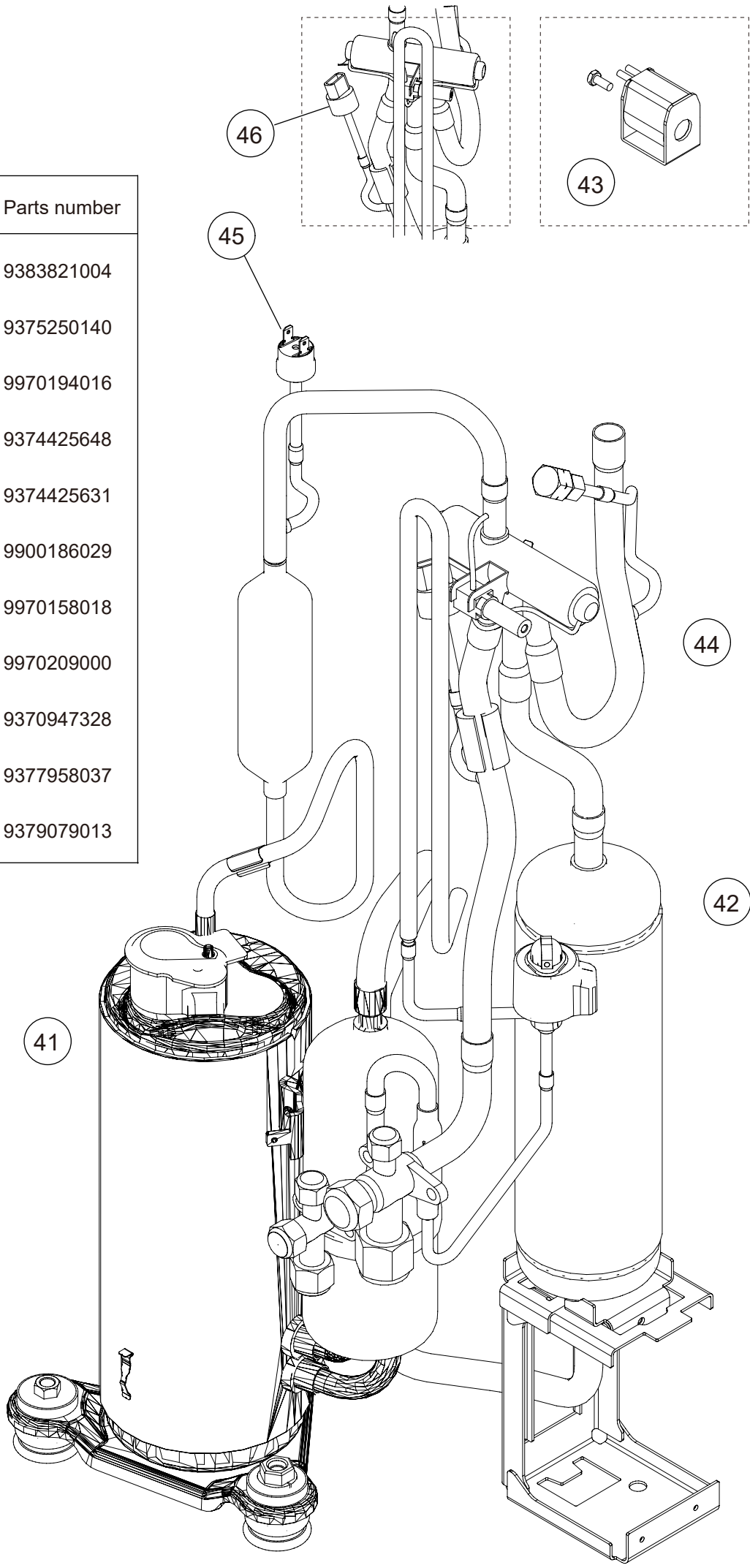
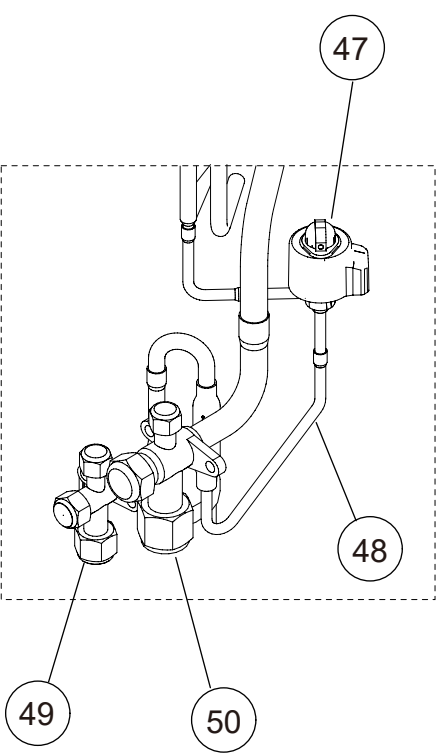
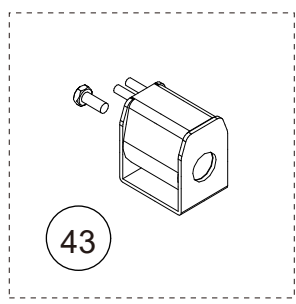
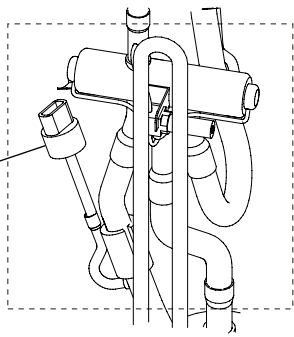
OUTDOOR UNIT
 AOYG30KBTB
 AOYG36KBTB



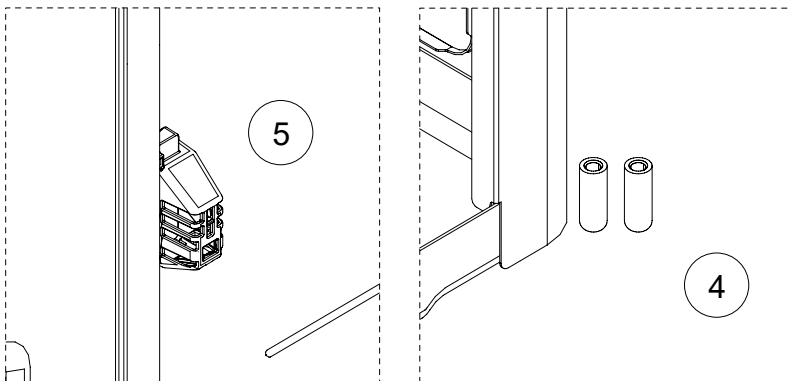
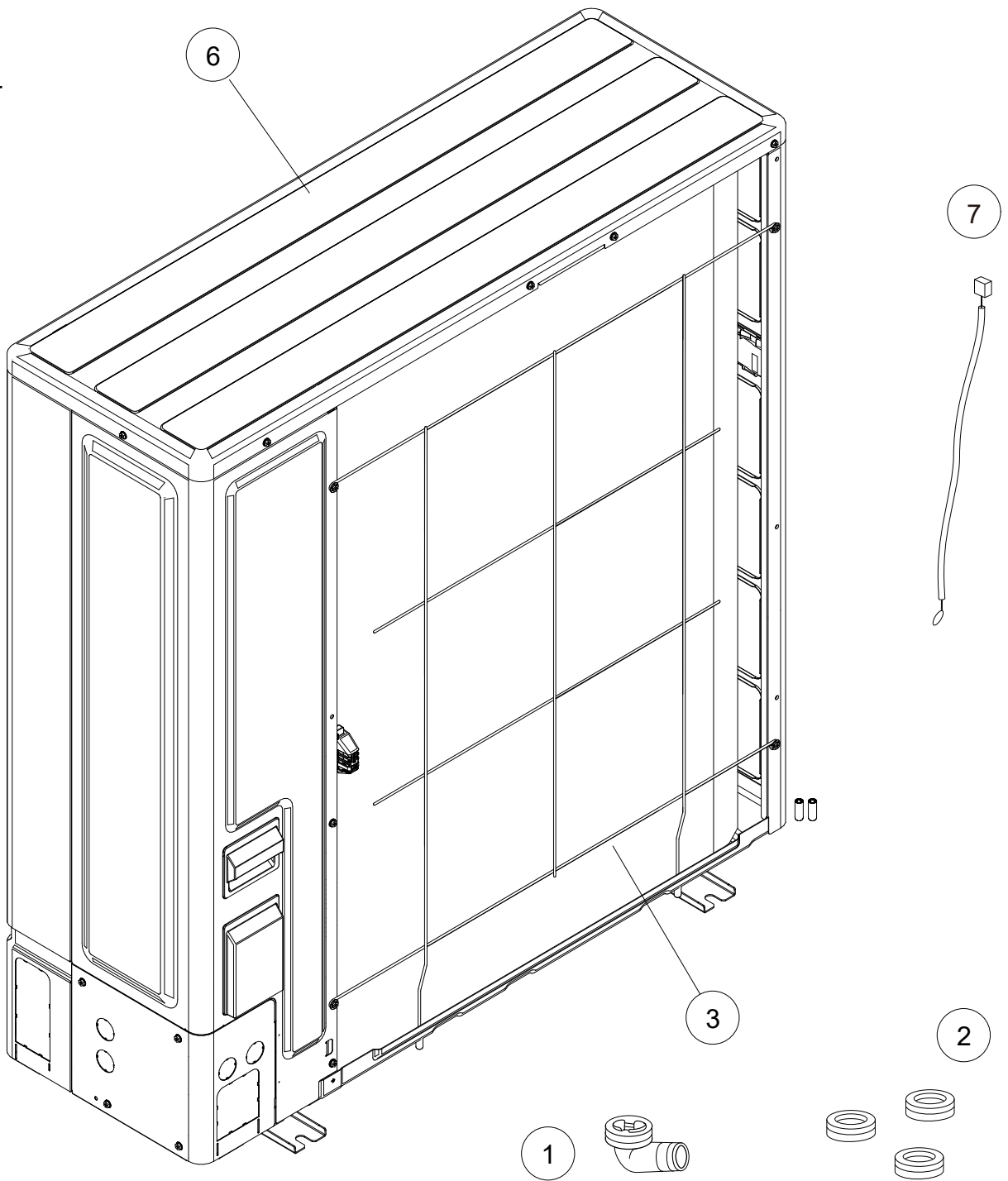
Ref.	Description	Parts number
31	Condenser sub assy	9374420612
32	S-ABS (top)	9380516064
33	S-ABS (body)	9379647168

OUTDOOR UNIT
 AOYG30KBTB
 AOYG36KBTB

Ref.	Description	Parts number
41	Compressor assy	9383821004
42	Accumulator assy	9375250140
43	Solenoid	9970194016
44	4-way valve assy (30)	9374425648
44	4-way valve assy (36)	9374425631
45	pressure switch	9900186029
46	Sensor (36)	9970158018
47	Expansion valve coil	9970209000
48	Expansion valve assy	9370947328
49	3-way valve assy	9377958037
50	3-way valve assy	9379079013

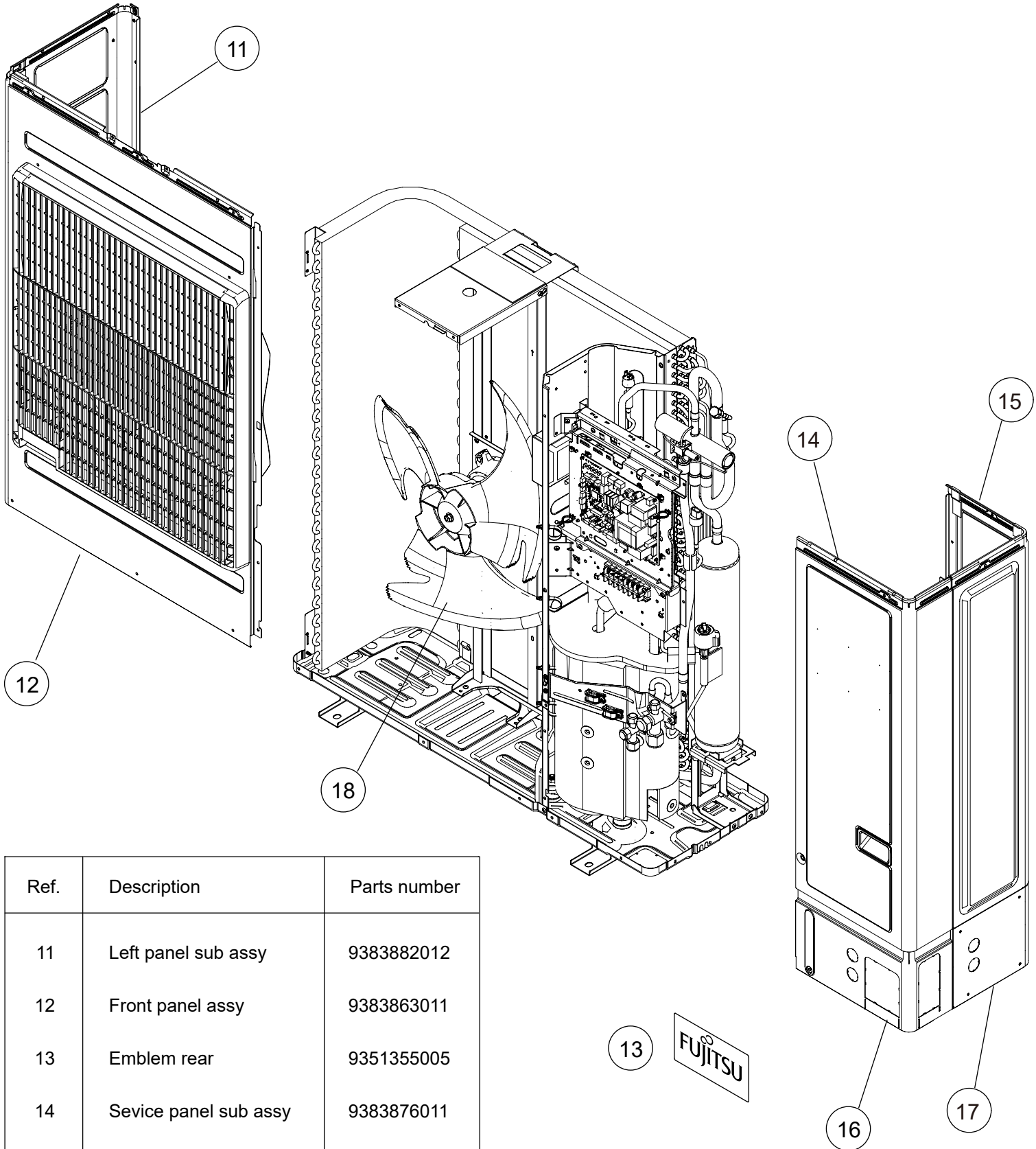


OUTDOOR UNIT
AOYG45KBTB
AOYG54KBTB



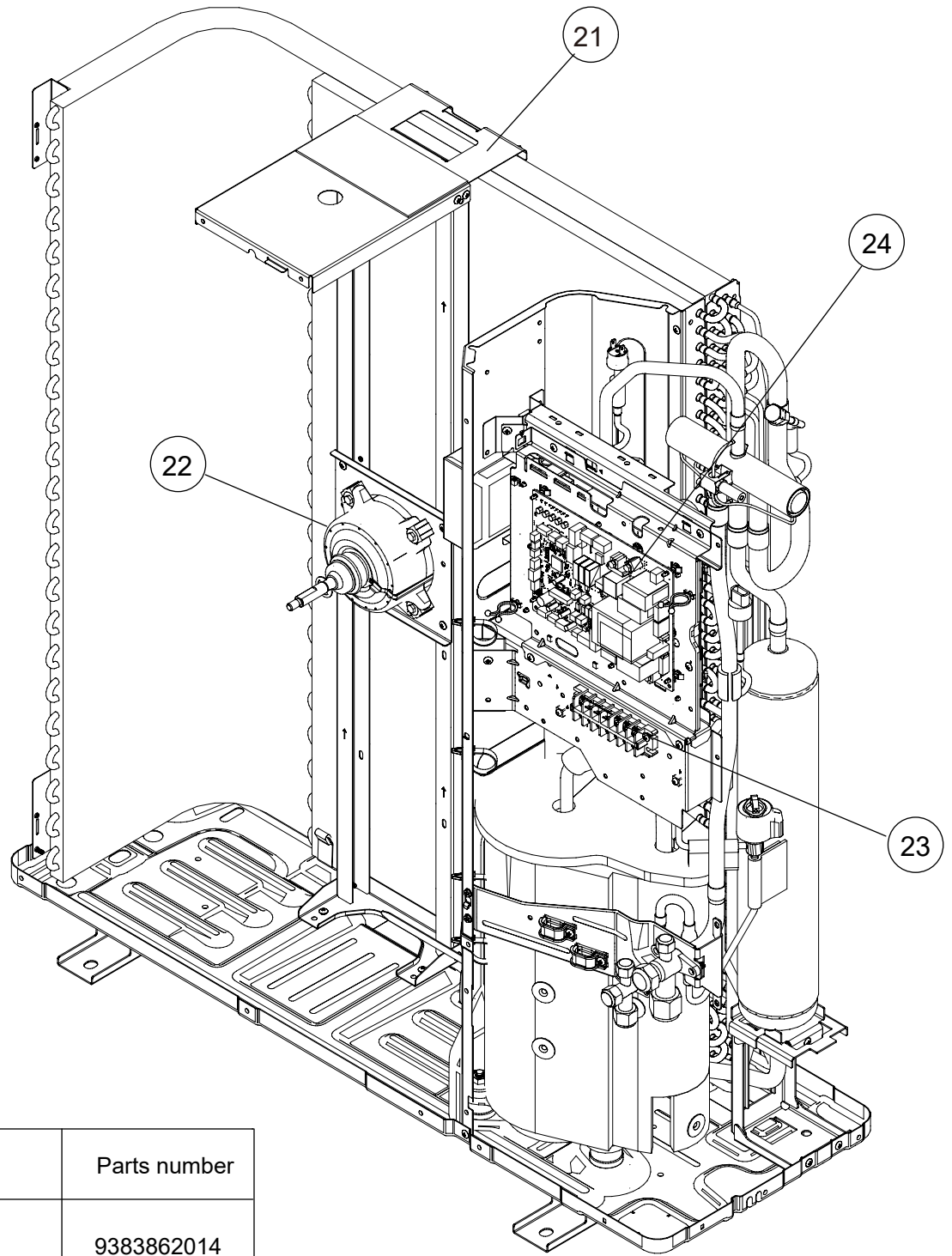
Ref.	Description	Parts number
1	Drain assy	9303029015
2	Drain cap	313166024302
3	Protective net rear	9381013005
4	Rubber (net)	9375361013
5	Thermo holder	9383607004
6	Top panel sub assy	9383880001
7	Outdoor Thermistor	9900565091

OUTDOOR UNIT
 AOYG45KBTB
 AOYG54KBTB

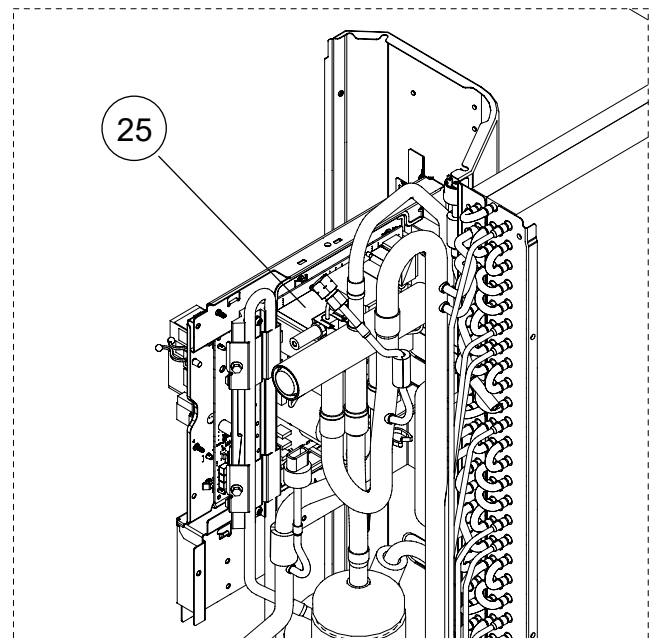


Ref.	Description	Parts number
11	Left panel sub assy	9383882012
12	Front panel assy	9383863011
13	Emblem rear	9351355005
14	Sevice panel sub assy	9383876011
15	Right panel sub assy	9383874017
16	Pipe cover front	9383878008
17	Pipe cover rear	9383879005
18	Propeller fan	9383336003

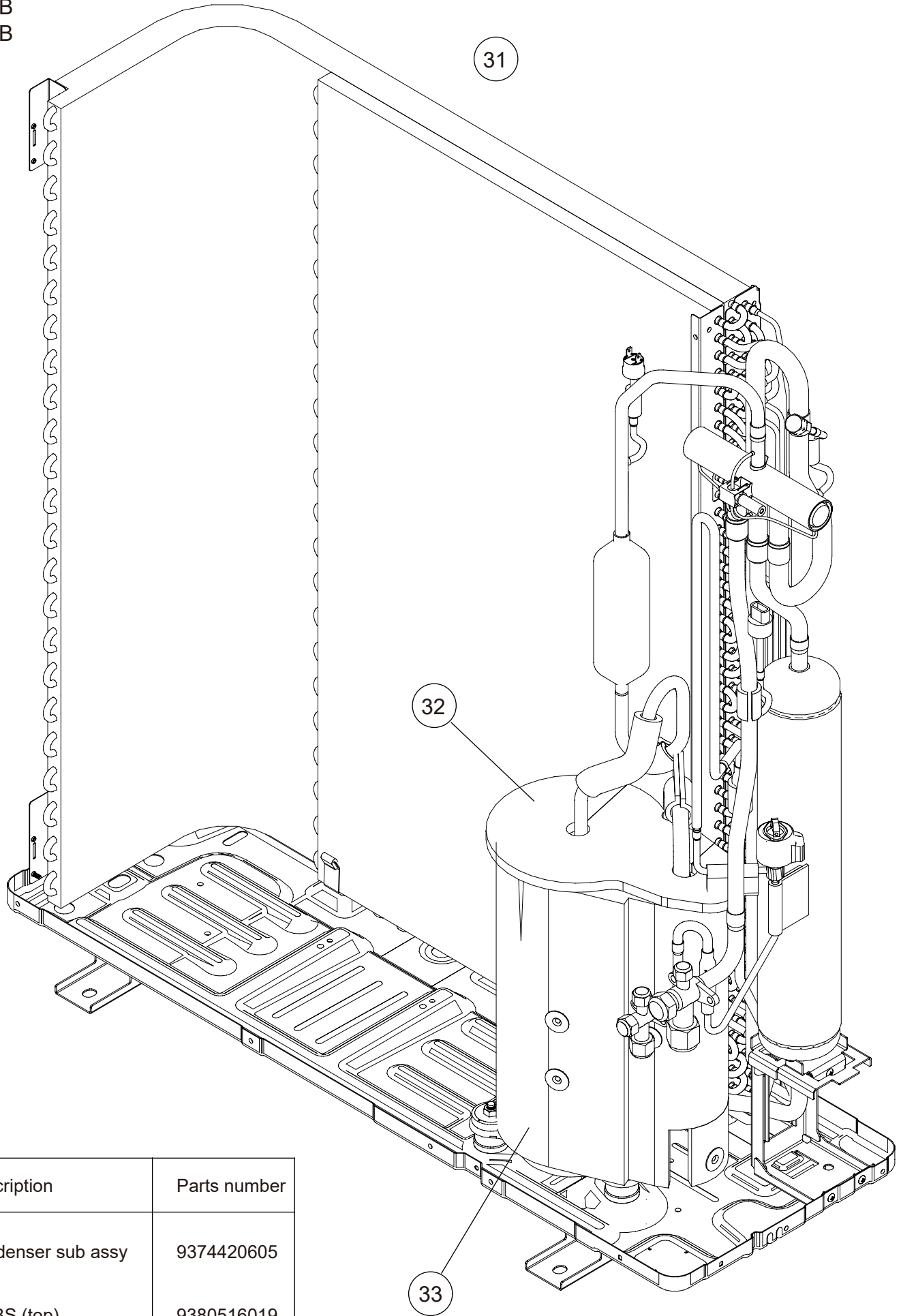
OUTDOOR UNIT
 AOYG45KBTB
 AOYG54KBTB



Ref.	Description	Parts number
21	Motor bracket assy	9383862014
22	Motor, DC Brushless	9603733018
23	Terminal 7P	9900203061
24	Main PCB (Service) (45)	9711431257
24	Main PCB (Service) (54)	9711431264
25	Inverter PCB (Service)	9709684115
--	Heat ex. thermistor	9900984038
--	Thermistor assy	9900727154
--	Compressor thermistor	9900985028



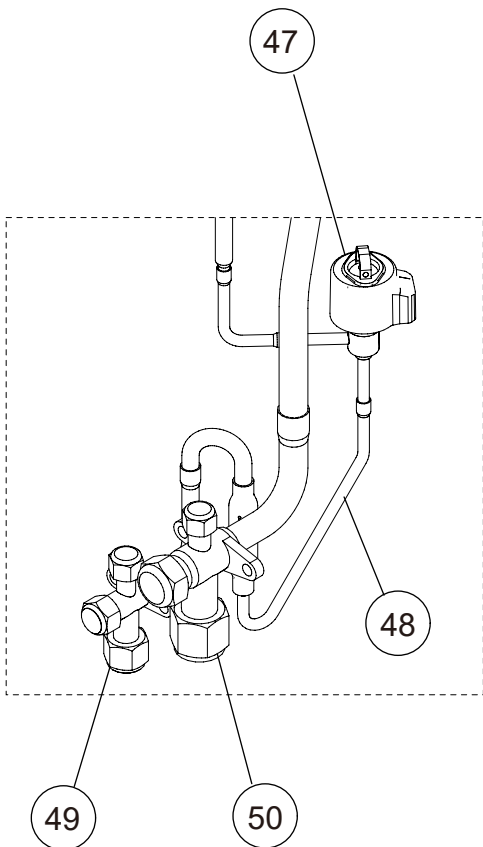
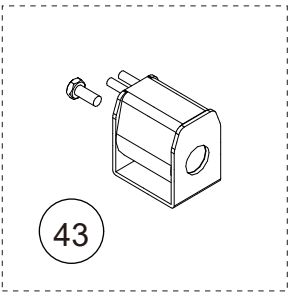
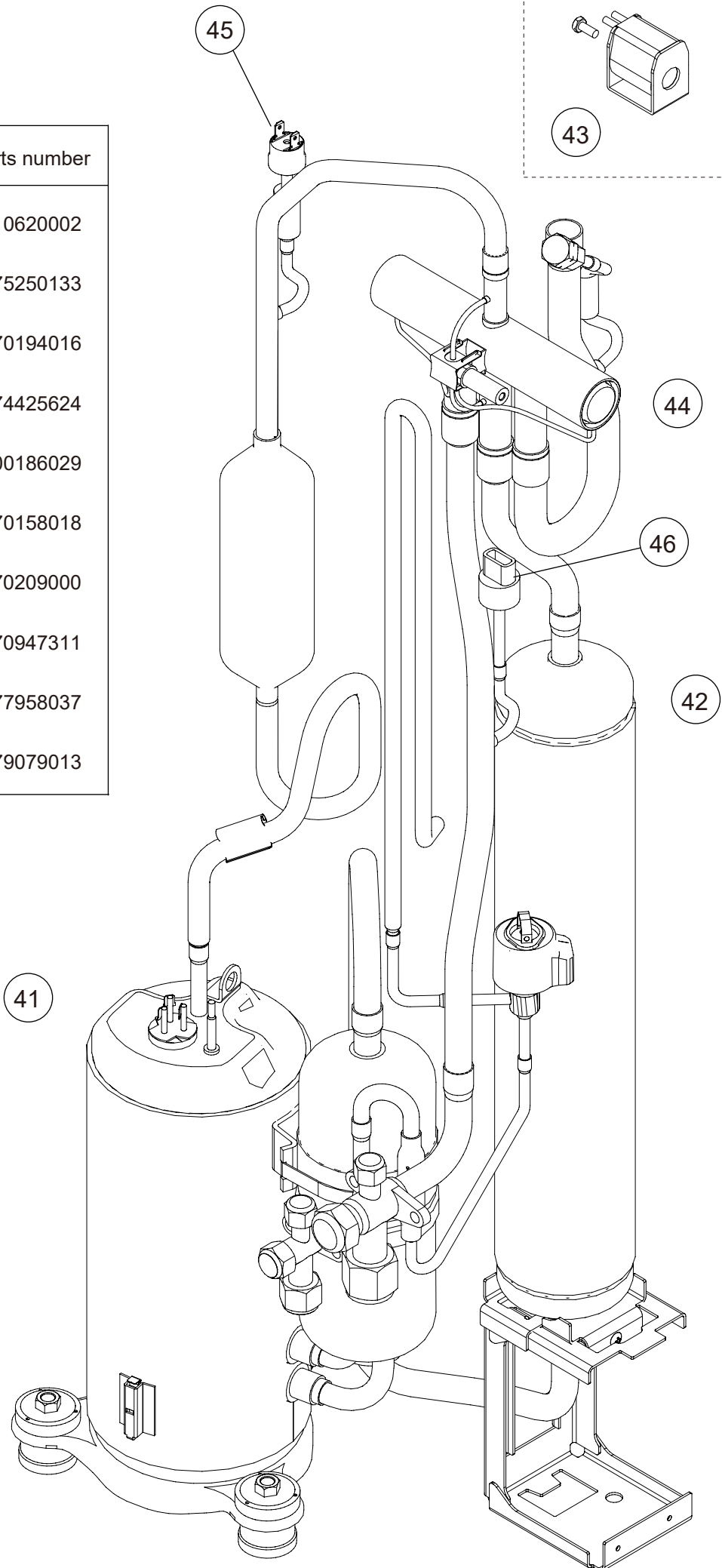
OUTDOOR UNIT
 AOYG45KBTB
 AOYG54KBTB



Ref.	Description	Parts number
31	Condenser sub assy	9374420605
32	S-ABS (top)	9380516019
33	S-ABS (body)	9379647168


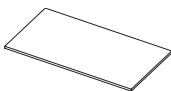
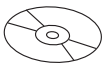
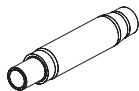






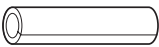

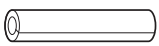
OUTDOOR UNIT
 AOYG45KBTB
 AOYG54KBTB

Ref.	Description	Parts number
41	Compressor	9810620002
42	Accumulator assy	9375250133
43	Solenoid	9970194016
44	4-way valve assy	9374425624
45	pressure switch	9900186029
46	Sensor	9970158018
47	Expansion valve coil	9970209000
48	Expansion valve assy	9370947311
49	3-way valve assy	9377958037
50	3-way valve assy	9379079013





Accessories



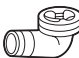

Models: AUXG24KRLB, AUXG30KRLB, AUXG36KRLB, AUXG45KRLB, and AUXG54KRLB

Part name	Exterior	Q'ty	Part name	Exterior	Q'ty
Operating manual		1	Insulation		1
Operating manual (CD-ROM)		1	Drain hose		1
Installation manual		1	Hose band		1
Template (Carton top)		1	Drain hose heat insulation		1
Washer		8	Cable tie (large)		4
Coupler heat insulation (large)		1	Cable tie (small)		2
Coupler heat insulation (small)		1			

Model: AOYG24KBTB

Part name	Exterior	Q'ty	Part name	Exterior	Q'ty
Installation manual		1	Drain pipe		1

Models: AOYG30KBTB, AOYG36KBTB, AOYG45KBTB, and AOYG54KBTB

Part name	Exterior	Q'ty	Part name	Exterior	Q'ty
Installation manual		1	Drain cap		3
Drain pipe		1	One-touch bush		2

1906G4848