

AIR CONDITIONER

Cassette type

SERVICE MANUAL

INDOOR



AUXG18KRLB
AUXG22KRLB

OUTDOOR



AOYG18KATA



AOYG22KATA

FUJITSU GENERAL LIMITED

Notices:

- Product specifications and design are subject to change without notice for future improvement.
- For further details, please check with our authorized dealer.

Trademarks

The following term and logo are trademarks of Fujitsu General Limited in the United States, other countries or both:

FGLair™



Android and Google Play are trademarks of Google Inc.

App Store is a service mark of Apple Inc., registered in the U.S. and other countries.

IOS is a trademark or registered trademark of Cisco in the U.S. and other countries and is used under license.

CONTENTS

1. GENERAL INFORMATION

2. TECHNICAL DATA AND PARTS LIST

1. GENERAL INFORMATION

CONTENTS

1. GENERAL INFORMATION

1. Specifications	01-1
1-1. Indoor unit	01-1
1-2. Outdoor unit.....	01-3
2. Dimensions	01-4
2-1. Indoor unit	01-4
2-2. Outdoor unit.....	01-7

1. Specifications

1-1. Indoor unit

Type				Cassette			
				Inverter heat pump			
Model name				AUXG18KRLB		AUXG22KRLB	
Power supply				230 V ~ 50 Hz			
Power supply intake				Outdoor unit			
Available voltage range				198—264 V			
Capacity	Cooling	Rated	kW	5.2		6.0	
			Btu/h	17,700		20,500	
		Min.—Max.	kW	0.90—5.40		0.90—6.30	
	Heating	Rated	Btu/h	3,100—18,400		3,100—21,400	
			kW	6.0		7.0	
		Min.—Max.	kW	0.90—6.30		0.90—7.40	
Input power	Cooling	Rated	kW	1.60		1.85	
			Max.	2.33		2.67	
		Heating	Rated	1.66		1.93	
	Heating	Rated	kW	2.33		2.67	
			Max.	2.33		2.67	
		Max.	2.33		2.67		
Current	Cooling	Rated	A	7.4		8.2	
	Heating		A	7.7		8.5	
Power factor	Cooling		%	94.0		98.1	
	Heating		%	93.7		98.7	
EER	Cooling		kW/kW	3.25		3.24	
COP	Heating		kW/kW	3.61		3.63	
Moisture removal			L/h (pints/h)	1.5 (2.6)		2.2 (3.9)	
Maximum operating current *1	Cooling		A	10.1		11.6	
	Heating		A	10.1		11.6	
Fan	Airflow rate	Cooling	HIGH			1,050	
			MED			960	
			LOW			900	
			QUIET			780	
		Heating	HIGH			1,050	
			MED			960	
			LOW			900	
			QUIET			780	
	Type × Q'ty			Turbo fan × 1			
	Motor output			W			
Sound pressure level *2	Cooling		HIGH			33	
			MED			32	
			LOW			31	
			QUIET			28	
	Heating		HIGH			33	
			MED			32	
			LOW			31	
			QUIET			28	
Heat exchanger type	Dimensions (H × W × D)		mm	Main 1: 210 × 2,127 × 13.3			
	Fin pitch			Main 2: 210 × 2,061 × 13.3			
	Rows × Stages			Main 1: 1.2			
				Main 2: 1.2			
	Pipe type			Main 1: 1 × 10			
	Fin type			Main 2: 1 × 10			
Dimensions (H × W × D)	Net		mm	Copper tube			
	Gross			Aluminum			
Weight	Net		kg	246 × 840 × 840			
	Gross			298 × 960 × 950			
Connection pipe	Size	Liquid	mm (in)	Ø 6.35 (Ø 1/4)			
		Gas		Ø 12.70 (Ø 1/2)			
	Method			Flare			
Drain hose	Material			PVC(VP25)			
	Size		mm	Ø 25 (I.D.), Ø 32 (O.D.)			
Operation range	Cooling	°C		18 to 32			
		%RH		80 or less			
Cassette grille (Option)	Heating	°C		16 to 30			
		Material			Polystyrene		
Cassette grille (Option)	Color			White			
				Approximate color of MUNSELL N 9.25/			
	Dimensions (H × W × D)	Net	mm	53 × 950 × 950			
		Gross		110 × 1,000 × 1,010			
	Weight	Net	kg	6.0			
Gross		10.0					
Remote control (Option)				Wired remote controller, Wireless remote controller, Mobile app*3 (FGLair™)			

NOTES:

- Specifications are based on the following conditions:
 - Cooling: Indoor temperature of 27 °CDB/19 °CWB, and outdoor temperature of 35 °CDB/24 °CWB.
 - Heating: Indoor temperature of 20 °CDB/15 °CWB, and outdoor temperature of 7 °CDB/6 °CWB.
 - Pipe length: 5.0 m, Height difference: 0 m. (Between outdoor unit and indoor unit.)
- Protective function might work when using it outside the operation range.
- *1: Maximum operating current is the total current of the indoor unit and the outdoor unit.
- *2: Sound pressure level:
 - Measured values in manufacturer's anechoic chamber.
 - Because of the surrounding sound environment, the sound levels measured in actual installation conditions might be higher than the specified values here.
- *3: Available on Google Play™ store or on App Store®. Optional WLAN adapter is also required. For details, refer to the setting manual.

Specifications for ErP Lot10				
Model name		AUXG18KRLB		AUXG22KRLB
Energy efficiency class	Cooling	A ⁺⁺		
	Heating (Average)	A ⁺		
P _{design}	Cooling	kW	5.2 (35°C)	6.0 (35°C)
	Heating (Average)		3.8 (-10°C)	4.4 (-10°C)
SEER	Cooling	kWh/kWh	6.20	6.20
SCOP	Heating (Average)		4.10	4.10
Annual energy consumption	QCE	kWh/a	293	338
	QHE (Average)		1,297	1,502
Sound power level	Cooling	HIGH	dB (A)	47
	Heating			47

1-2. Outdoor unit

Type			Inverter heat pump	
Model name			AOYG18KATA	AOYG22KATA
Power supply			230 V ~ 50 Hz	
Available voltage range			198—264 V	
Starting current			A	
Fan	Airflow rate	Cooling	7.7	8.5
		Heating	1,710	2,240
	Type × Q'ty	m ³ /h	1,840	2,240
	Motor output	W	Propeller fan × 1	
Sound pressure level *1	Cooling	dB (A)	23	49
			Heating	51
Sound power level	Cooling	dB (A)	52	53
			Heating	63
Heat exchanger type	Dimensions (H × W × D)	mm	Main 1: 504 × 881 × 18.19	Main 1: 588 × 881 × 18.19
			Main 2: 504 × 851 × 18.19	Main 2: 588 × 851 × 18.19
	Fin pitch		Main 1: 1.3	Main 1: 1.3
	Rows × Stages		Main 1: 1 × 24	Main 1: 1 × 28
	Pipe type		Main 2: 1 × 24	Main 2: 1 × 28
	Fin type	Type (Material)	Copper tube	
Compressor			DC rotary × 1	
Type × Q'ty			DC twin rotary × 1	
Motor output			900	
Refrigerant			R32 (675)	
Type (Global warming potential)				
Charge			900	1,100
Refrigerant oil			RB68A	FW68S
Amount			340	350
Material			Steel sheet	
Color			Beige	
Approximate color of Munsell 10YR 7.5/1.0				
Dimensions (H × W × D)	Net	mm	542 × 799 × 290	632 × 799 × 290
	Gross		602 × 940 × 375	692 × 940 × 375
Weight	Net	kg	33	36
	Gross		36	40
Connection pipe	Size	Liquid	Ø 6.35 (Ø 1/4)	
		Gas	Ø 12.70 (Ø 1/2)	
	Method	Flare		
	Pre-charge length	15		
	Max. length	m	20	25
	Max. height difference		15	20
Operation range	Cooling	°C	-10 to 46	
	Heating		-15 to 24	
Drain hose	Material	PP		
	Size	mm	Ø 13.0 (I. D.), Ø 16.0 to Ø 16.8 (O. D.)	

NOTES:

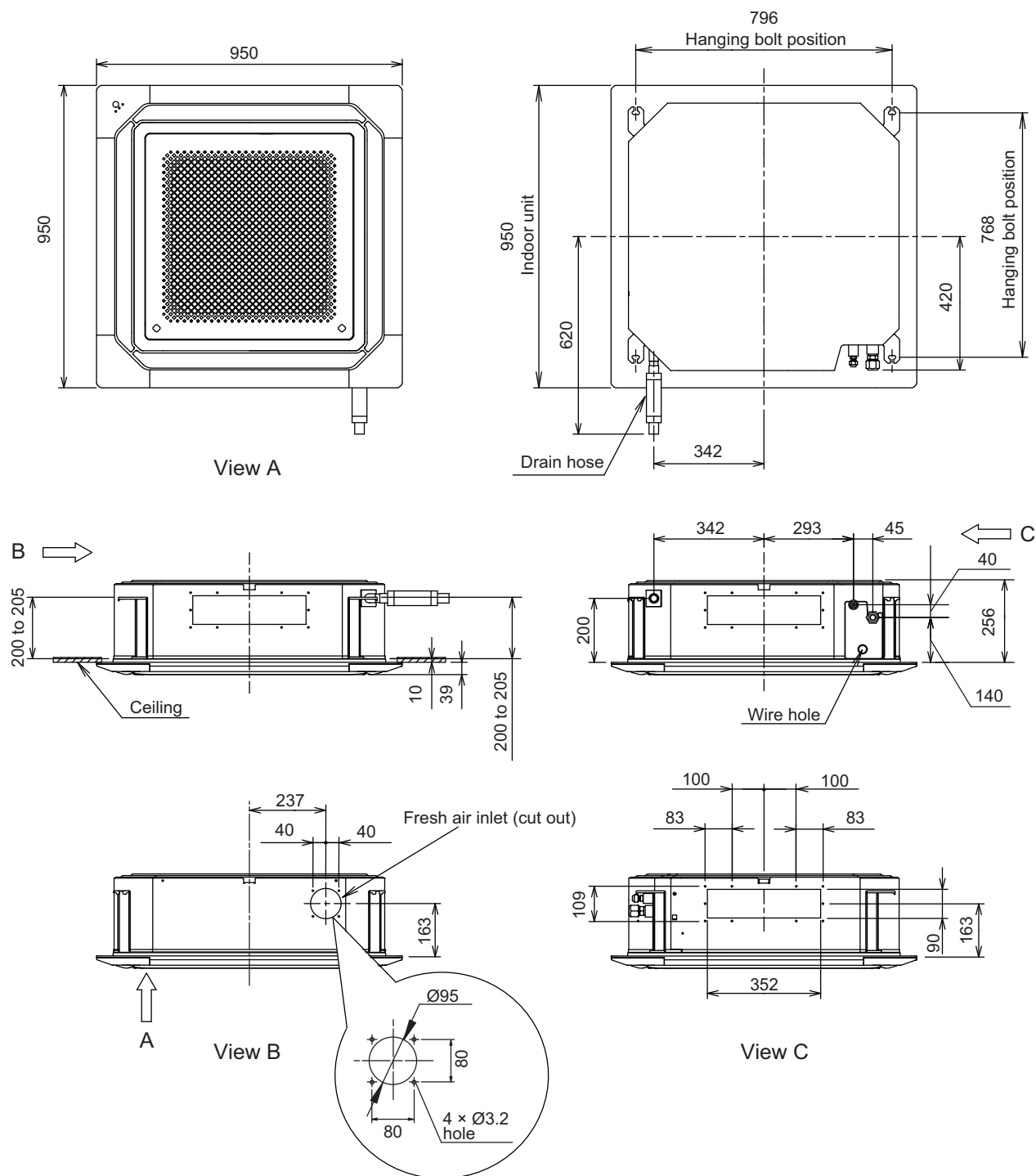
- Specifications are based on the following conditions:
 - Cooling: Indoor temperature of 27 °CDB/19 °CWB, and outdoor temperature of 35 °CDB/24 °CWB.
 - Heating: Indoor temperature of 20 °CDB/15 °CWB, and outdoor temperature of 7 °CDB/6 °CWB.
 - Pipe length: 5.0 m, Height difference: 0 m (Between outdoor unit and indoor unit.).
- Protective function might work when using it outside the operation range.
- *1: Sound pressure level
 - Measured values in manufacturer's anechoic chamber.
 - Because of the surrounding sound environment, the sound levels measured in actual installation conditions might be higher than the specified values here.

2. Dimensions

2-1. Indoor unit

■ Models: AUXG18KRLB and AUXG22KRLB

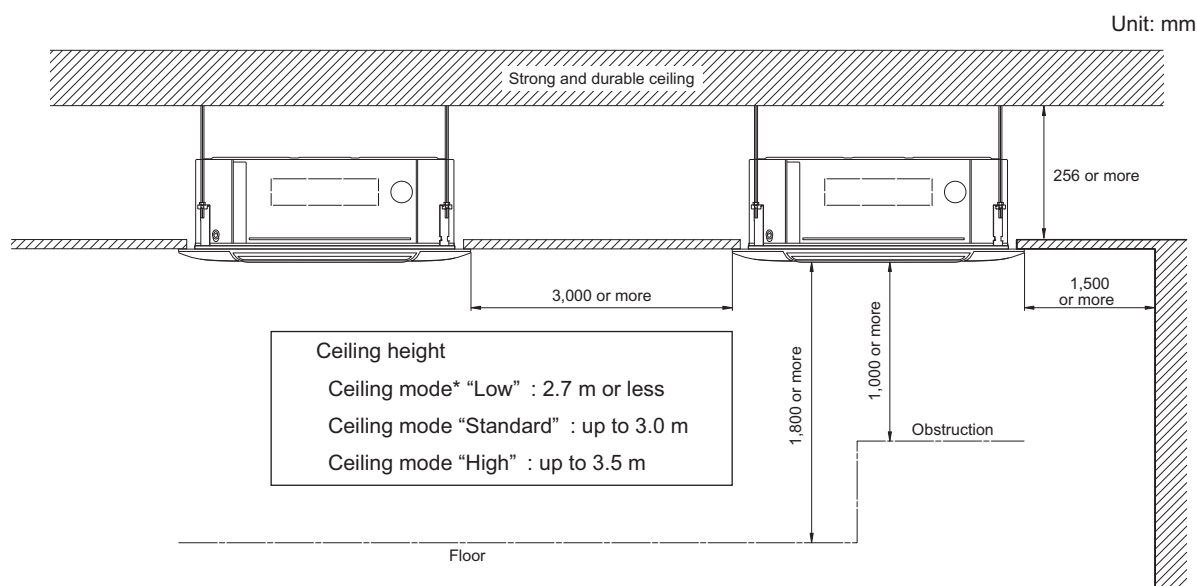
Unit: mm



■ Installation space requirement

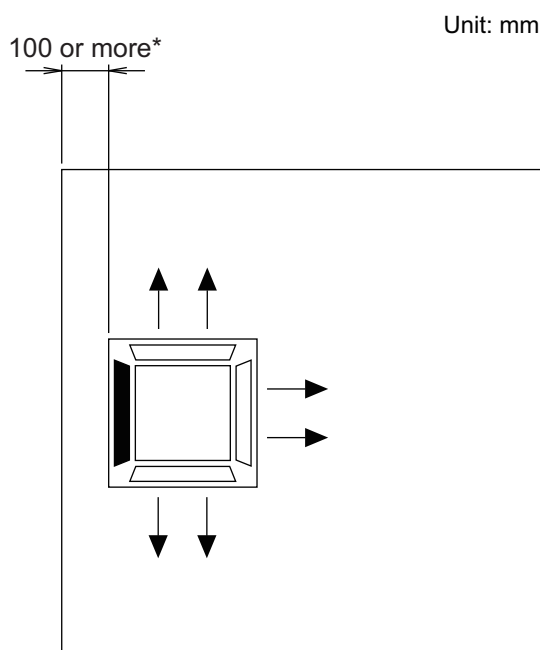
Provide sufficient installation space for product safety.

For 4-direction setting:



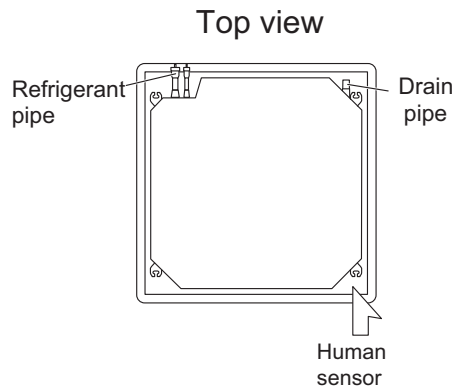
*: For switching the ceiling mode, refer to "Contents of function setting" on page 1.

For 3-direction setting:



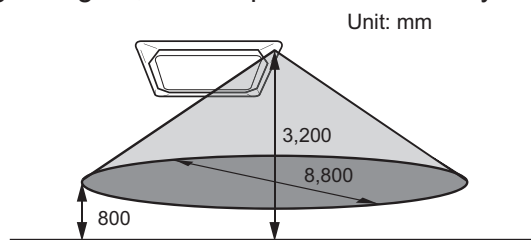
NOTES:

- To set "3-direction", optional Air outlet shutter plate (UTR-YDZK) must be installed, and the "outlet-direction" need to be switched to "3-way" by remote controller.
*: When installing the indoor unit, be careful about the maintenance space.
- The ceiling height cannot be set in the 3-way outlet mode. Therefore, ceiling height setting change by function setting 20 is prohibited. For details, refer to "Contents of function setting" on page 1.

Human sensor (Option)

Example of sensitivity range:

When the installation height gets higher, the temperature sensitivity decreases.



Equal sensitivity range of temperature	Ceiling height	3,200 mm
	Detecting position	800 mm from floor surface

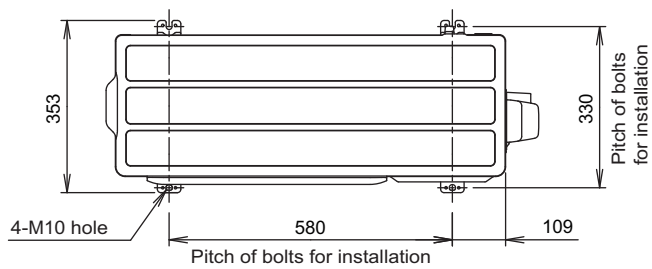
⚠ CAUTION

Do not place large objects near the human sensor. Also keep heating units outside the sensor's detection area.

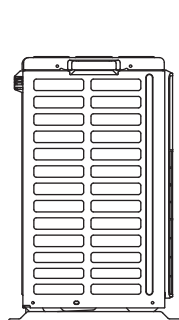
2-2. Outdoor unit

■ AOYG18KATA

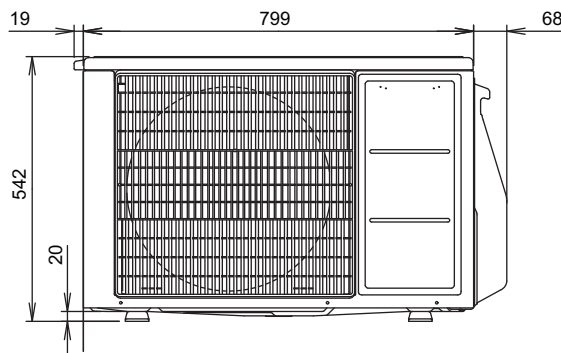
Unit: mm



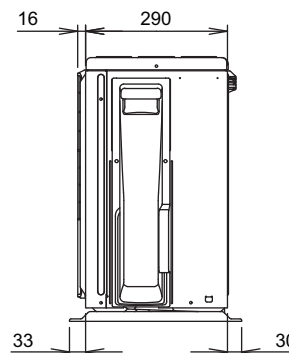
Top view



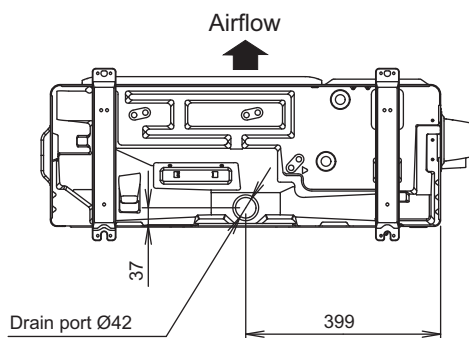
Side view



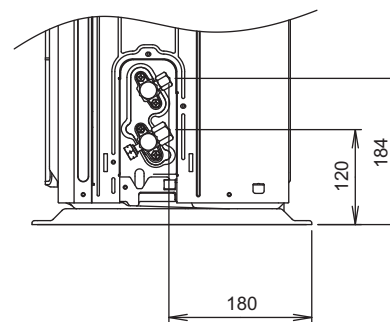
Front view



Side view



Bottom view



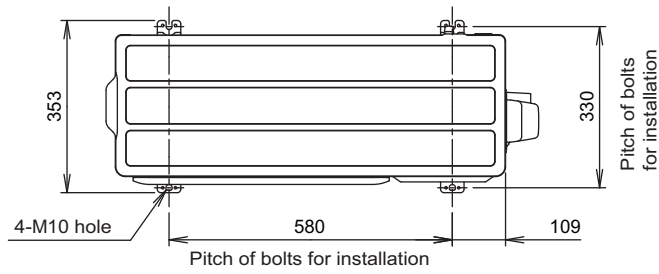
Side view (Valve part)

Model: AOYG22KATA

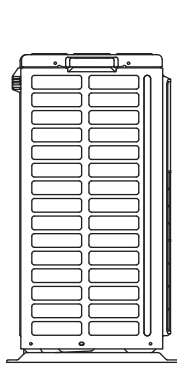
Unit: mm

GENERAL INFORMATION

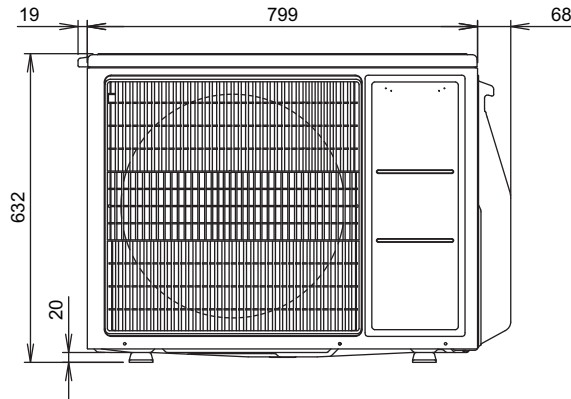
GENERAL INFORMATION



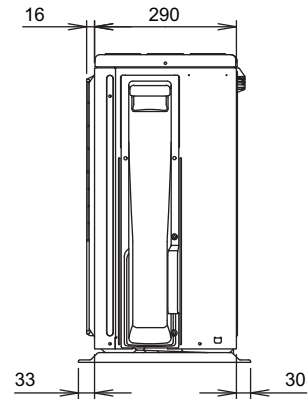
Top view



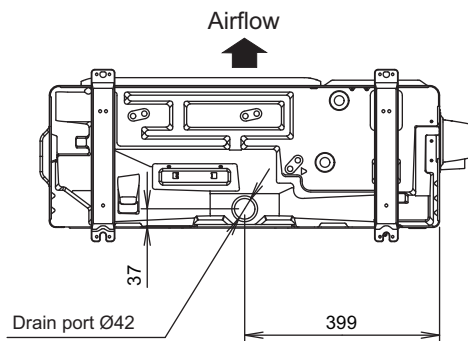
Side view



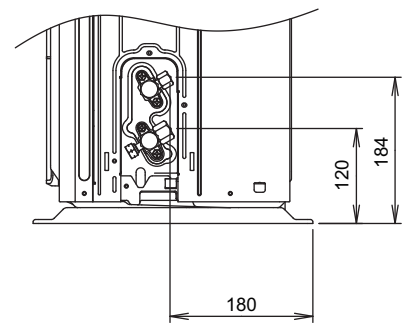
Front view



Side view



Bottom view



Side view (Valve part)

2. TECHNICAL DATA AND PARTS LIST

CONTENTS

2. TECHNICAL DATA AND PARTS LIST

1. Precautions	02-1
2. Indoor unit parts list	02-2
2-1. Models: AUXG18KRLB and AUXG22KRLB	02-2
3. Outdoor unit parts list	02-6
3-1. Model: AOYG18KATA	02-6
3-2. Model: AOYG22KATA	02-10
4. Accessories	02-14
4-1. Indoor unit	02-14
4-2. Outdoor unit.....	02-14
5. Optional parts	02-15
5-1. Indoor unit	02-15
6. Refrigerant system diagrams	02-19
6-1. Model: AOYG18KATA	02-19
6-2. Model: AOYG22KATA	02-20
7. Wiring diagrams	02-21
7-1. Indoor unit	02-21
7-2. Outdoor unit.....	02-22
8. PC board diagrams	02-24
8-1. Models: AUXG18KRLB and AUXG22KRLB	02-24
8-2. Model: AOYG18KATA	02-25
8-3. Model: AOYG22KATA	02-26

1. Precautions

When you start servicing, pay attention to the following points. For detailed precautions, refer to the installation manual of the products.

⚠ CAUTION

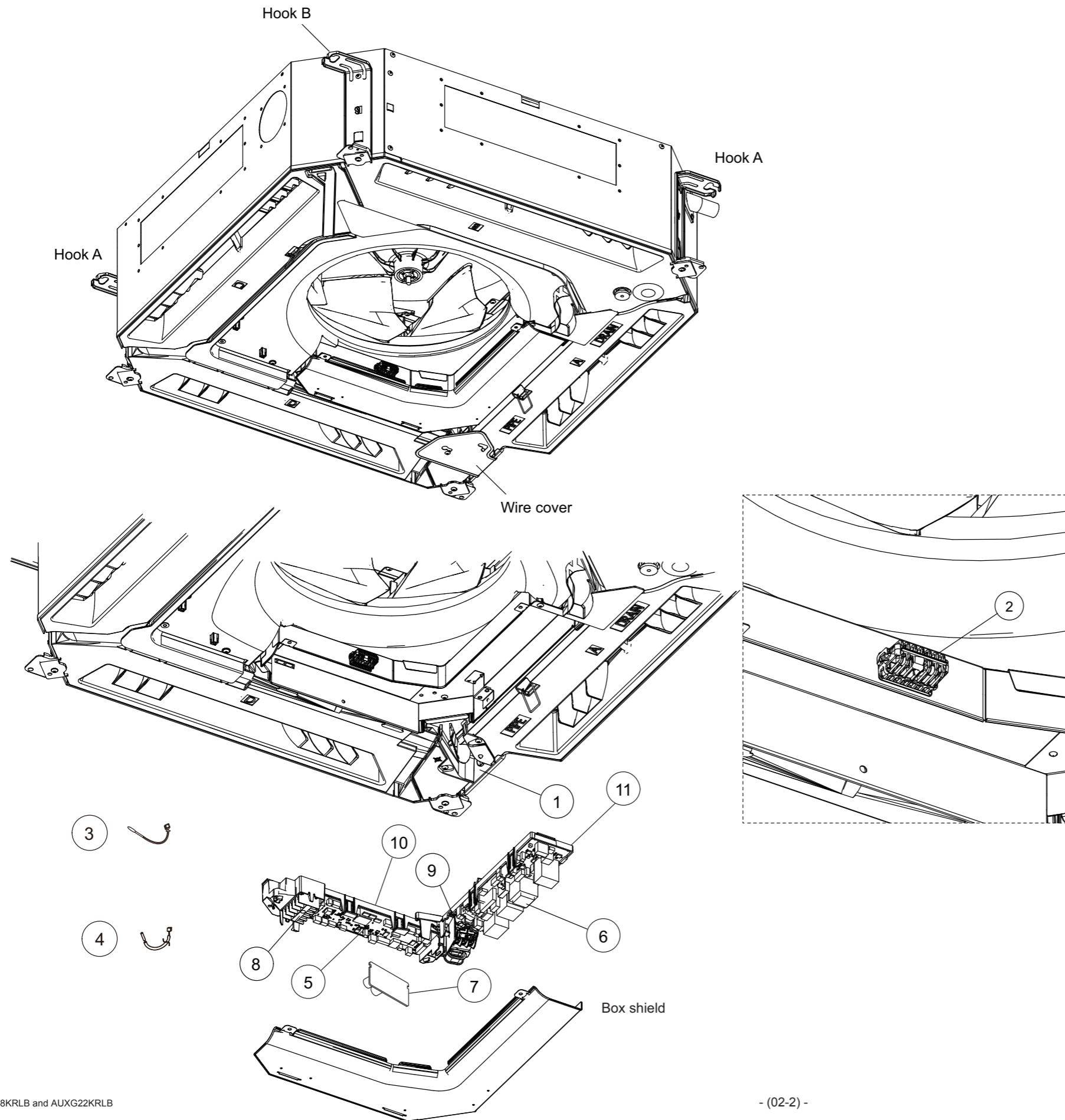
- Service personnel
 - Any person who is involved with working on or breaking into a refrigerant circuit should hold a current valid certificate from an industry-accredited assessment authority, which authorizes their competence to handle refrigerants safely in accordance with an industry recognized assessment specification.
 - Servicing shall only be performed as recommended by the equipment manufacturer. Maintenance and repair requiring the assistance of other skilled personnel shall be carried out under the supervision of the person competent in the use of flammable refrigerants.
 - Servicing shall be performed only as recommended by the manufacturer.
 - Work
 - Prior to beginning work on systems containing flammable refrigerants, safety checks are necessary to ensure that the risk of ignition is minimized. When repairing the refrigerant system, refer to the precautions written in the installation manual of the products before you start servicing.
 - Work shall be undertaken under a controlled procedure so as to minimize the risk of a flammable gas or vapor being present while the work is being performed.
 - All maintenance staff and others working in the local area shall be instructed on the nature of work being carried out.
 - Work in confined spaces shall be avoided.
 - The area around the workspace shall be sectioned off.
 - Ensure that the conditions within the area have been made safe by control of flammable material.
 - Checking for presence of refrigerant
 - The area shall be checked with an appropriate refrigerant detector prior to and during work, to ensure the technician is aware of potentially flammable atmospheres.
 - Ensure that the leak detection equipment being used is suitable for use with flammable refrigerants, i.e. non-sparking, adequately sealed or intrinsically safe.
-
- Service parts information and design are subject to change without notice for product improvement.
 - For the latest information of the service parts, refer to our Service Portal.
<https://fujitsu-general.force.com/portal/>
 - Precise figure of the service parts listed in this manual may differ from the actual service parts.

2. Indoor unit parts list

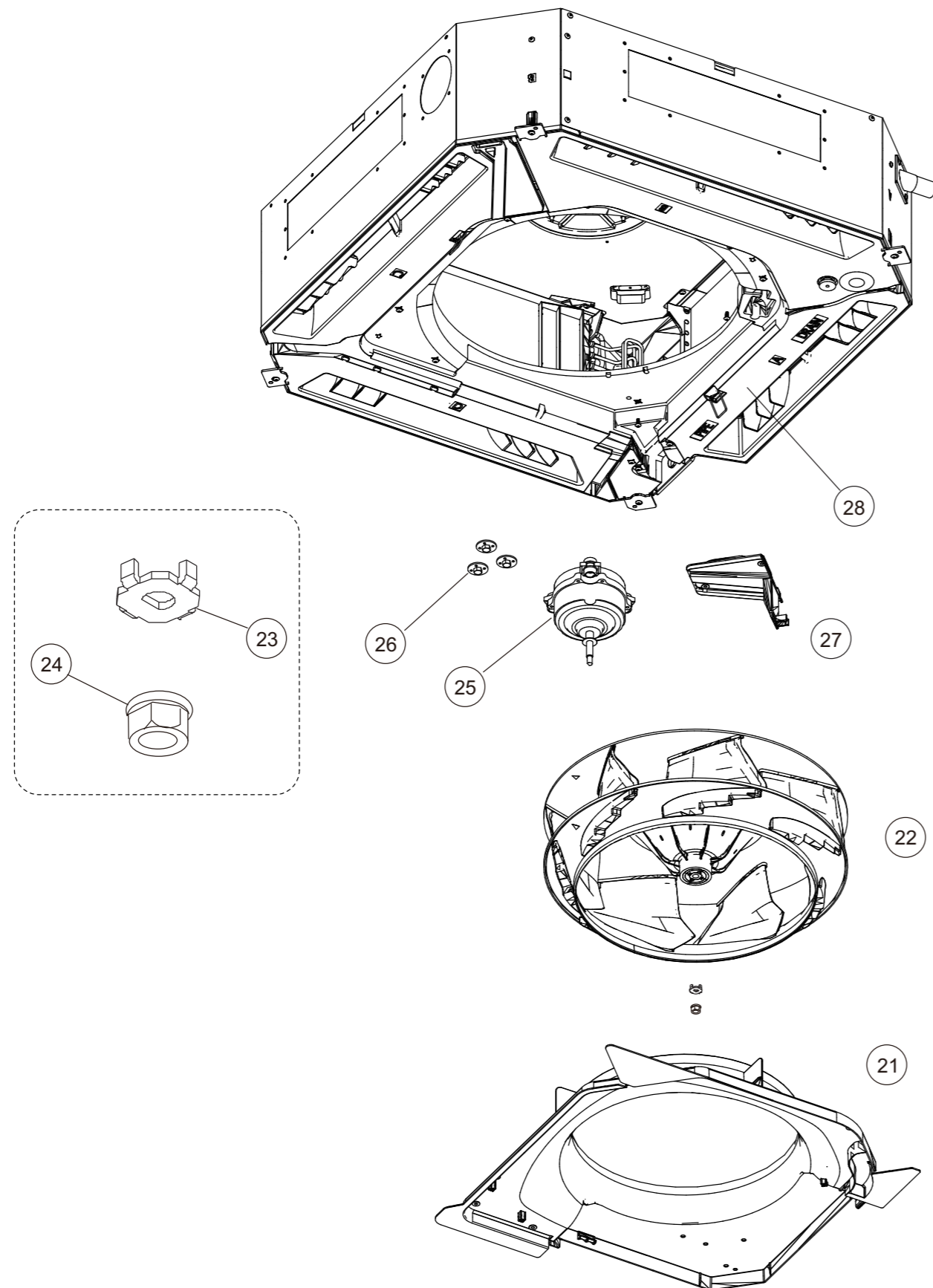
2-1. Models: AUXG18KRLB and AUXG22KRLB

TECHNICAL DATA
AND PARTS LIST

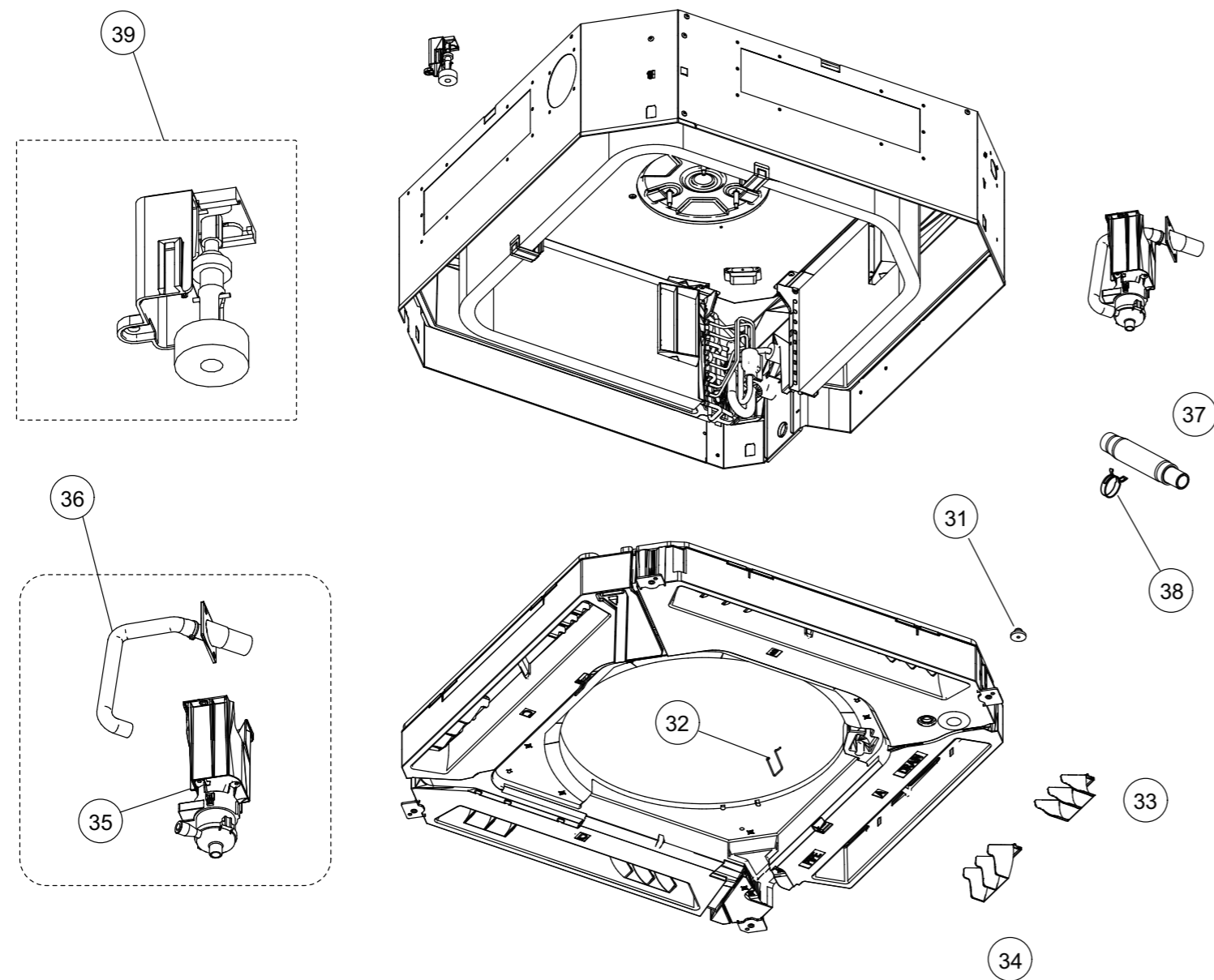
TECHNICAL DATA
AND PARTS LIST



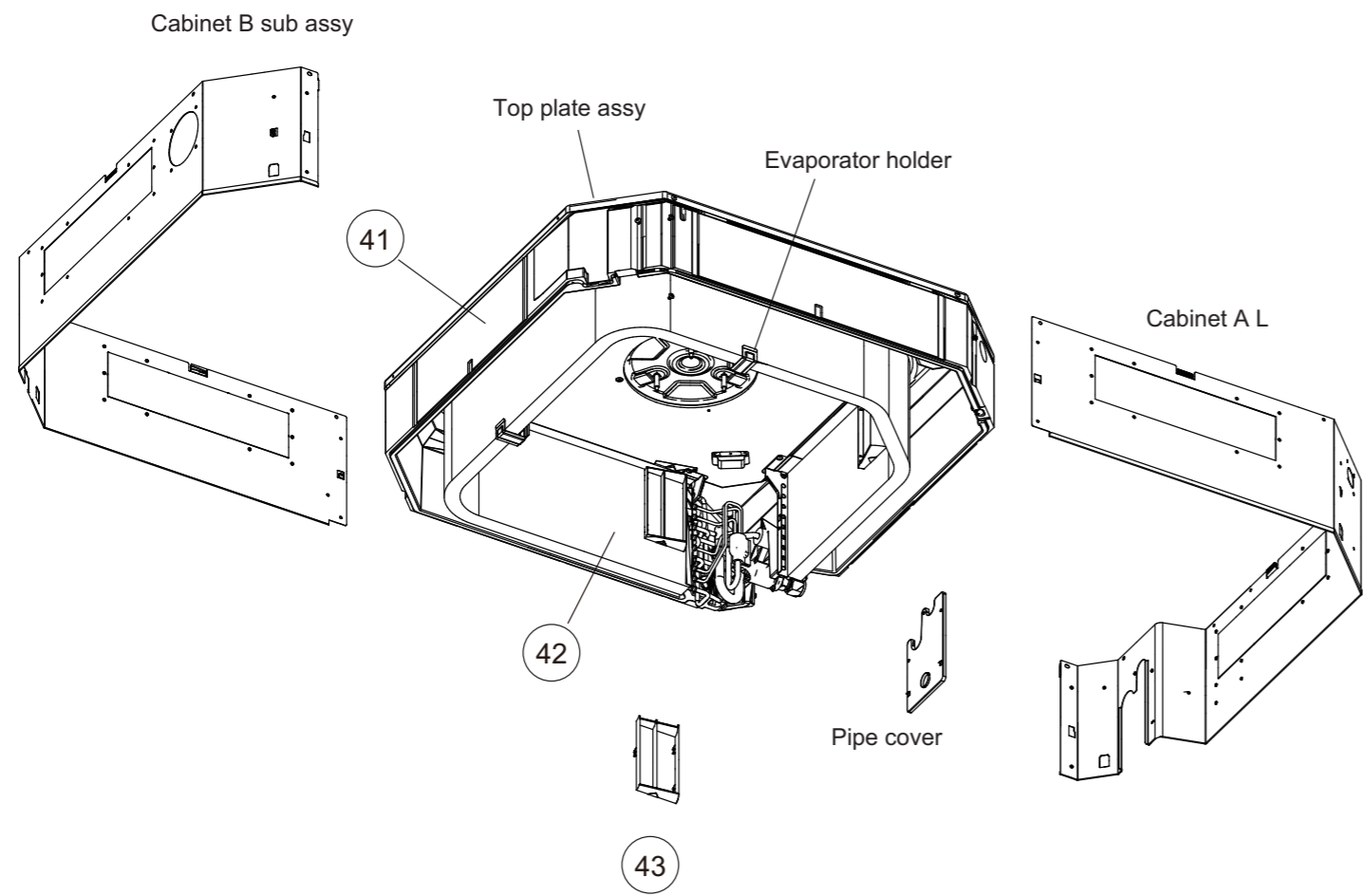
Ref.	Description	Part number
1	Cable guide	9381376001
2	Room thermistor Holder	9381348008
3	Room thermistor	9900822002
4	Pipe Thermistor	9900942014
5	Main PCB (AUXG18KRLB)	9710995835
5	Main PCB (AUXG22KRLB)	9710995712
6	Power PCB	9710022005
7	PCB (Non-polar 2-wire)	9710019005
8	Remote terminal 5P	9900896003
9	Power Terminal 3P	9900720032
10	Main PCB holder	9381350001
11	Power PCB Holder	9381349005



Ref.	Description	Part number
21	Bellmouth	9381484003
22	Turbo fan assy	9381303007
23	Turbo Fan Washer	9378394018
24	Nut	9356998009
25	Brushless motor	9603443009
26	Special Nut	9378388017
27	Motor Wire Holder	9381351008
28	Drain pan sub assy	9381789009



Ref.	Description	Part number
31	Drain Cap	9375502010
32	Panel Hook	9375671013
33	Vane L	9381745012
34	Vane R	9381744008
35	Drain Pump Sub Assy	9381793006
36	Drain Port Sub Assy	9381788002
37	Drain Hose	9379665001
38	Hose Band	9379757010
39	Float Switch Sub Assy	9381794003

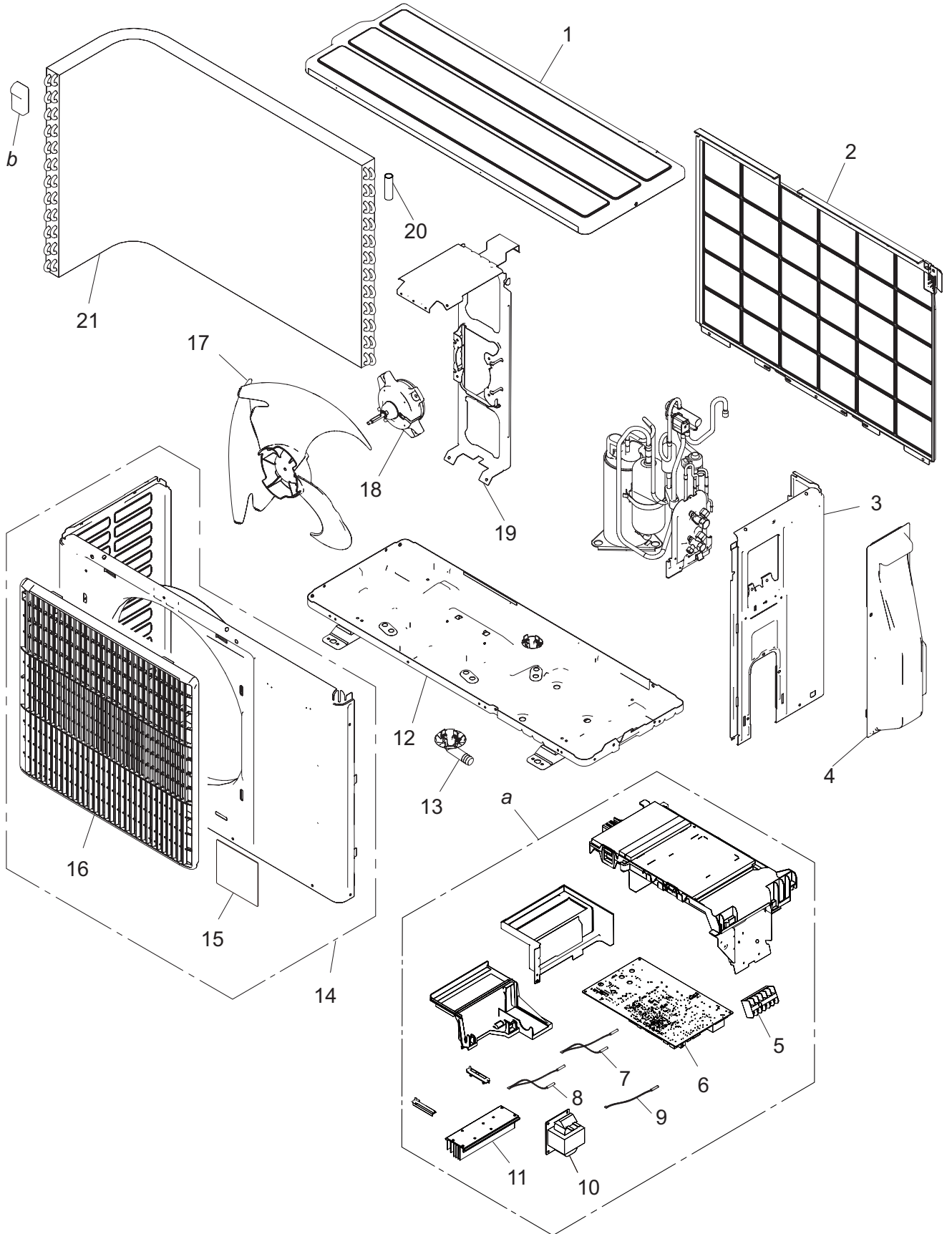


Ref.	Description	Part number
41	Insulation Box Sub Assy	9381787012
42	Evaporator Total Assy	9378580480
43	Wind Guide Board	9382125004

3. Outdoor unit parts list

3-1. Model: AOYG18KATA

■ Exterior parts and Chassis



TECHNICAL DATA
AND PARTS LIST

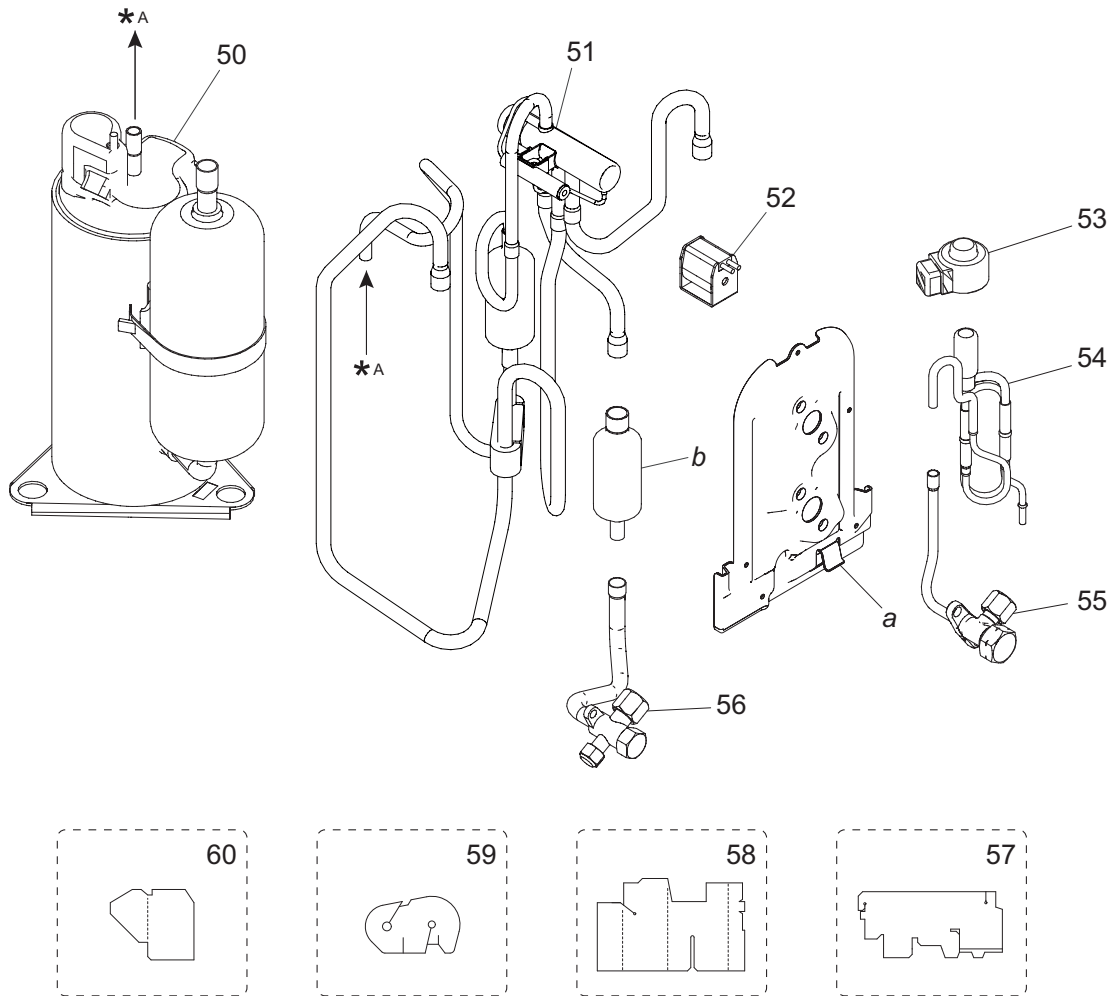
TECHNICAL DATA
AND PARTS LIST

Item no.	Part no.	Part name	Service part
1	9322556028	Top panel assy	◆
2	9322811011	Protective net	◆
3	9322552020	Cabinet right assy	◆
4	9322570000	Switch cover assy	◆
5	9900435028	Terminal	◆
6	9710924422	Main PCB	◆
7	9900727062	Thermistor assy	◆
8	9900565060	Thermistor (Outdoor temp.)	◆
9	9900984014	Heat exchanger thermistor	◆
10	9900963019	Reactor assy	◆
11	9322418005	Heat sink	◆
12	9322314024	Base assy	◆
13	9322144003	Drain pipe	◆
14	9322555014	Front panel assy	◆
15	9319151007	Emblem	◆
16	9322135001	Blow grille	◆
17	9322136008	Propeller fan	◆
18	9603657017	Brushless motor	◆
19	9322553010	Motor bracket assy	◆
20	9331404006	Thermistor holder	◆
21	9322275004	Condenser total assy	◆
<i>a</i>	—	Inverter assy	—
<i>b</i>	—	Hair pin cushion	—

Compressor

TECHNICAL DATA
AND PARTS LIST

TECHNICAL DATA
AND PARTS LIST



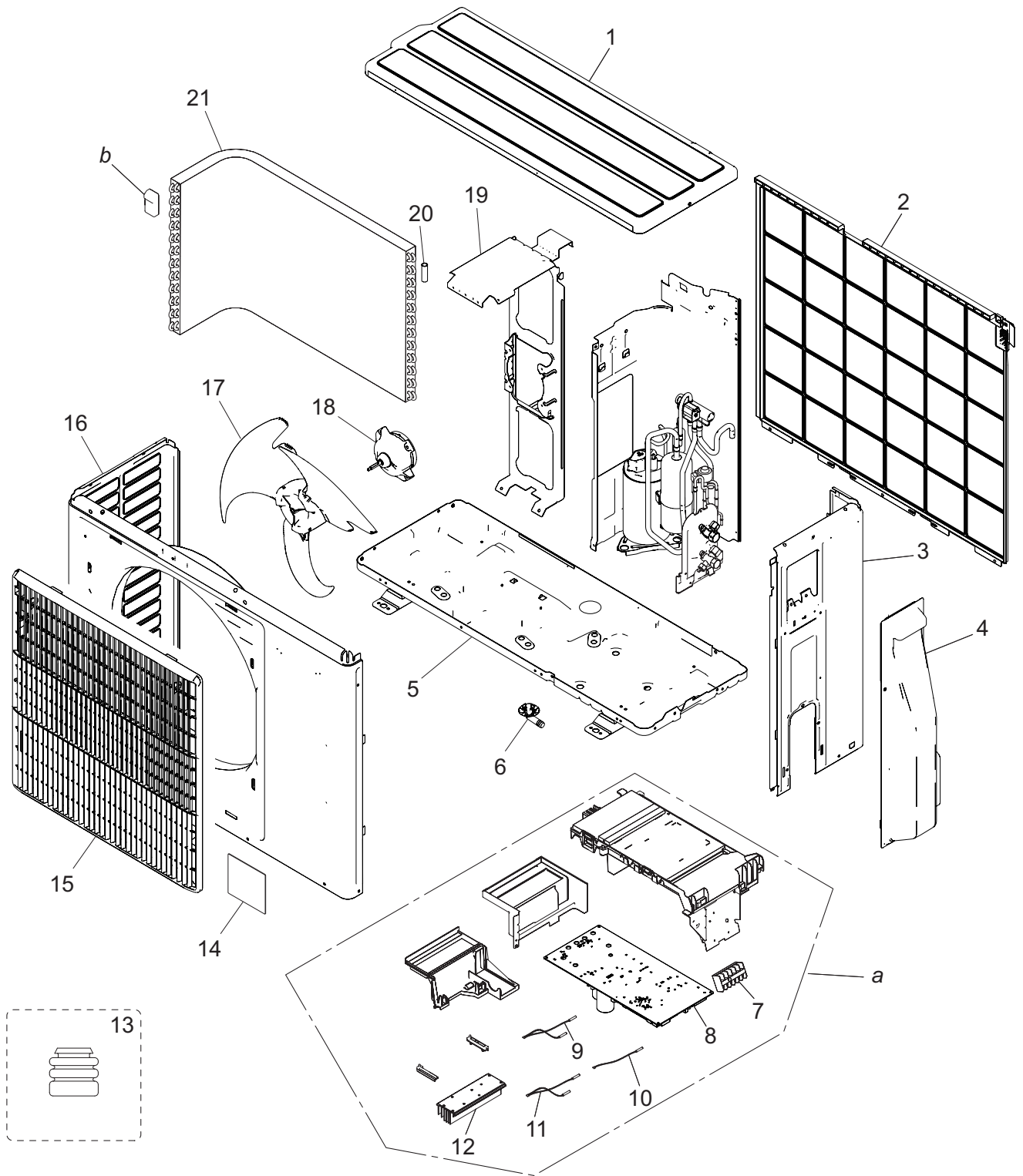
Item no.	Part no.	Part name	Service part
50	9322429001	Compressor assy	◆
51	9322444011	4-way valve assy	◆
52	9970110160	Solenoid	◆
53	9970173028	Expansion valve coil	◆
54	9322463029	Pulse motor valve assy	◆
55	9322474001	2-way valve assy	◆
56	9387831016	3-way valve assy	◆
57	9322535009	S-insulator B	◆
58	9322536006	S-insulator F	◆
59	9322537003	S-insulator H	◆
60	9323045002	S-insulator V	◆
a	—	Valve bracket	—
b	—	Muffler	—

3-2. Model: AOYG22KATA

■ Exterior parts and Chassis

TECHNICAL DATA
AND PARTS LIST

TECHNICAL DATA
AND PARTS LIST

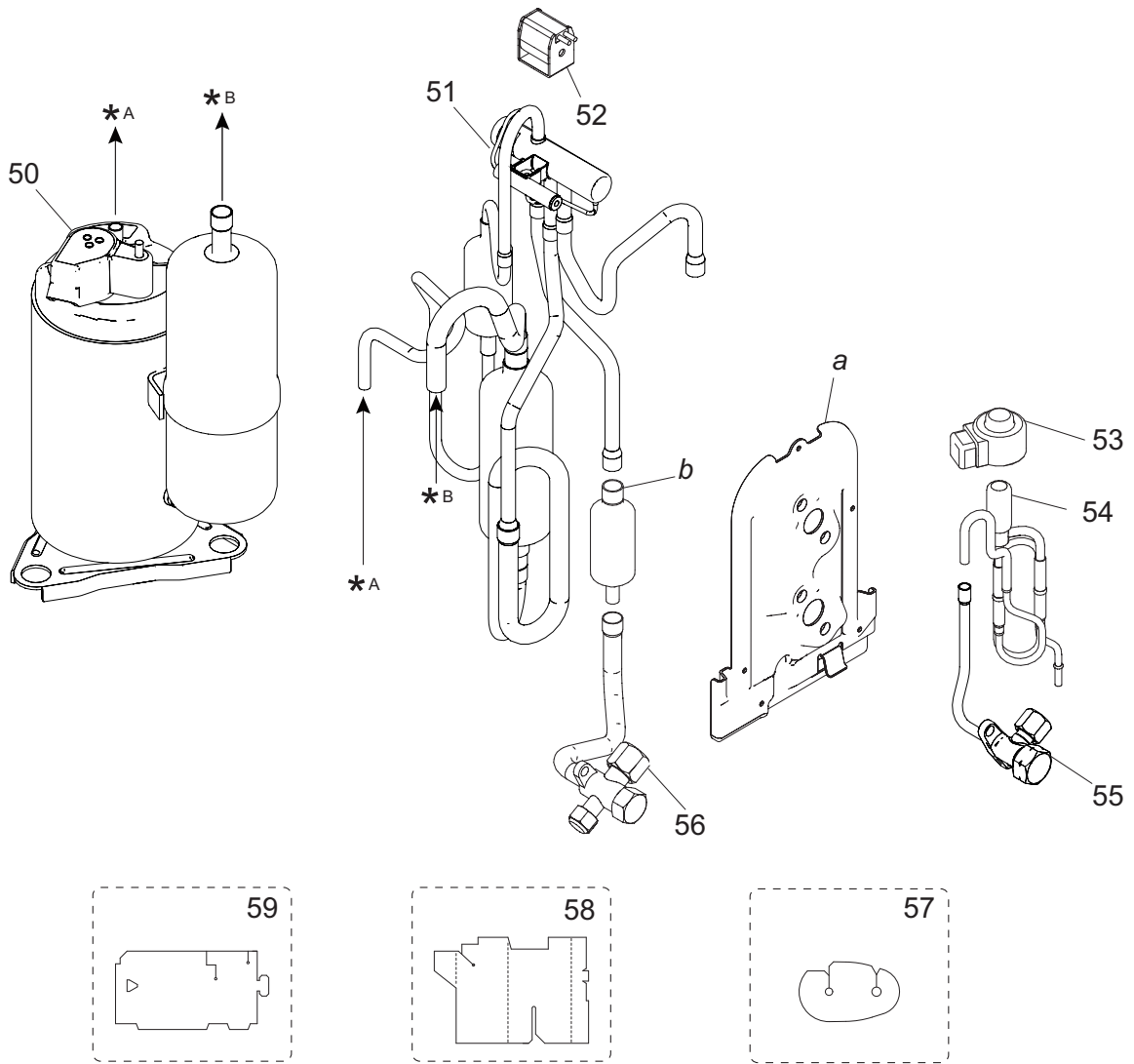


Item no.	Part no.	Part name	Service part
1	9322556028	Top panel assy	◆
2	9322811028	Protective net assy	◆
3	9322552099	Cabinet right assy	◆
4	9322570024	Switch cover assy	◆
5	9322314024	Base assy	◆
6	9322144003	Drain pipe	◆
7	9900435028	Terminal	◆
8	9710802331	Main PCB	◆
9	9900727079	Thermistor assy	◆
10	9900984014	Heat exchanger thermistor	◆
11	9900565060	Thermistor assy (Outdoor temp.)	◆
12	9322420039	Heat sink	◆
13	9322386007	Cushion rubber	◆
14	9319151007	Emblem	◆
15	9322149008	Blow grille	◆
16	9322555021	Front panel assy	◆
17	9322150004	Propeller fan	◆
18	9603601003	Brushless motor	◆
19	9322553027	Motor bracket assy	◆
20	9317089616	Condenser total assy	◆
21	9331404006	Thermistor holder pipe	◆
<i>a</i>	—	Inverter assy	—
<i>b</i>	—	Hair pin cushion	—

Compressor

TECHNICAL DATA
AND PARTS LIST

TECHNICAL DATA
AND PARTS LIST


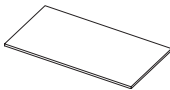
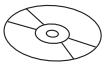
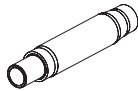






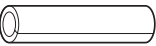

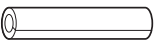


Item no.	Part no.	Part name	Service part
50	9810523006	Compressor	◆
51	9322783028	4-way valve assy	◆
52	9970110160	Solenoid	◆
53	9970173028	Expansion valve coil	◆
54	9322463029	Pulse motor valve assy	◆
55	9322474001	2-way valve assy	◆
56	9387831016	3-way valve assy	◆
57	9322501004	S-insulator H	◆
58	9322847003	S-insulator F	◆
59	9322500007	S-insulator B	◆
<i>a</i>	—	Valve bracket	—
<i>b</i>	—	Muffler	—

4. Accessories


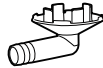
4-1. Indoor unit

■ Models: AUXG18KRLB and AUXG22KRLB

Part name	Exterior	Q'ty	Part name	Exterior	Q'ty
Operating manual		1	Insulation		1
Operating manual (CD-ROM)		1	Drain hose		1
Installation manual		1	Hose band		1
Template (Carton top)		1	Drain hose heat insulation		1
Washer		8	Cable tie (large)		4
Coupler heat insulation (large)		1	Cable tie (small)		2
Coupler heat insulation (small)		1			

4-2. Outdoor unit

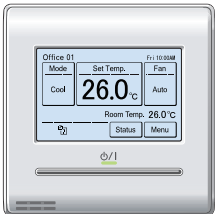
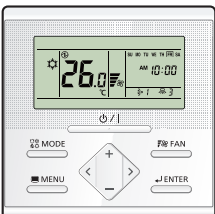
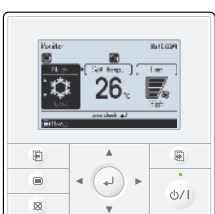
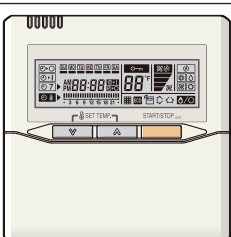

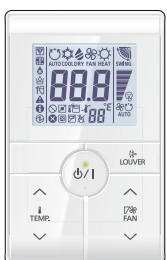
■ Models: AUXG18KRLB and AUXG22KRLB


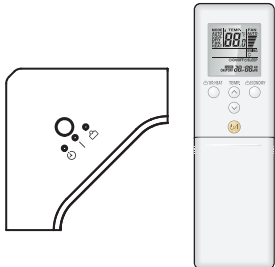
Part name	Exterior	Q'ty	Part name	Exterior	Q'ty
Installation manual		1	Drain pipe		1

5. Optional parts

5-1. Indoor unit

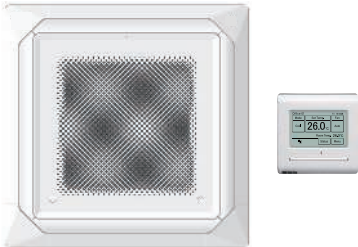

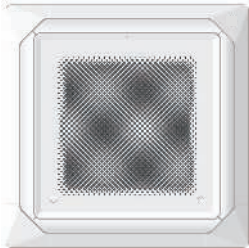
■ Controllers

Exterior	Part name	Model name	Summary
	Wired remote controller	UTU-RNRYZ*	Easy finger touch operation with LCD panel. Backlit LCD enables easy operation in a dark room. Wire type: Non-polar 2-wire
	Wired remote controller	UTU-RLRY	High visibility and easy operation. Room temperature can be accurately controlled using the built-in thermo sensor. Wire type: Non-polar 2-wire
	Wired remote controller	UTU-RVNYM	Large and full-dot liquid crystal screen, wide and large keys easy to press, user-intuitive arrow key. Wire type: Polar 3-wire
	Wired remote controller	UTU-RNNYM	Room temperature can be controlled by detecting the temperature accurately with built-in thermo sensor. Wire type: Polar 3-wire
	Simple remote controller	UTU-RSRY	Compact remote controller concentrates on the basic functions such as Start/Stop, fan control, temperature setting, and operation mode. Wire type: Non-polar 2-wire
	Simple remote controller	UTU-RHRY	Compact remote controller concentrates on the basic functions such as Start/Stop, fan control, and temperature setting. Wire type: Non-polar 2-wire

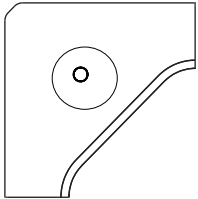
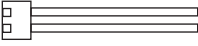

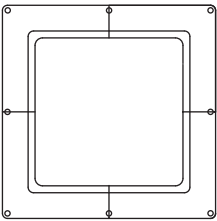
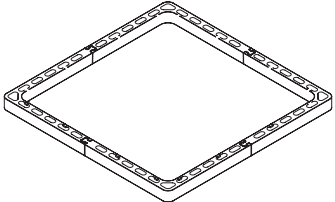

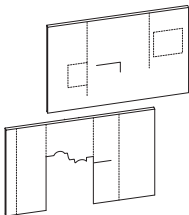
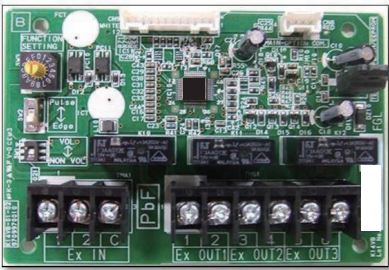
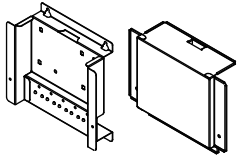
Exterior	Part name	Model name	Summary
	Simple remote controller	UTY-RSNYM	Compact remote controller concentrates on the basic functions such as Start/Stop, fan control, temperature setting, and operation mode. Wire type: Polar 3-wire
	IR receiver kit with wireless remote controller	UTY-LBTYC	Unit control is performed by wireless remote controller.





NOTE: Available functions may differ by the remote controller. For details, refer to the operation manual.

■ Cassette grille

Exterior	Part name	Model name	Summary
	Cassette grille	UTG-UKYA-W	This cassette grille to blow airflow in 360° direction by unique seamless airflow louver design. Wired remote controller (UTY-RNRYZ*) is included.
	Cassette grille	UTG-UKYA-B	This cassette grille to blow airflow in 360° direction by unique seamless airflow louver design. Black color model.
	Cassette grille	UTG-UKYC-W	This cassette grille to blow airflow in 360° direction by unique seamless airflow louver design.

Others

Exterior	Part name	Model name	Summary
	Human sensor kit	UTY-SHZXC	For circular flow cassette type.
	External connect kit	UTY-XWZXZG	Use to connect with various peripheral devices and air conditioner PCB. For control output port.
	Air outlet shutter plate	UTR-YDZK	Installed at the air outlet when 3-directions mode is performed.
	Wide panel	UTG-AKXA-W	Hides the gap between the ceiling hole and the cassette grille.
	Panel spacer	UTG-BKXA-W	If there is not enough height in the ceiling space, by inserting this spacer between the cassette grille and the ceiling surface, the height of the unit body goes into the ceiling space become 50-mm lower.
	Fresh-air intake kit	UTZ-VXRA	By attaching Fresh-air intake kit to the indoor unit, it can be taken in fresh air of up to 10% of "high" air volume of the indoor unit.
	Insulation for high humidity	UTZ-KXRA	Install when the under-roof condition is expected to be the humidity of over 80% and the temperature of over 30 °C.
	External input and output PCB	UTY-XCSX	Use to connect with external devices and air conditioner PCB.
	External input and output PCB box	UTZ-GXRA	For installing the External input and output PCB.

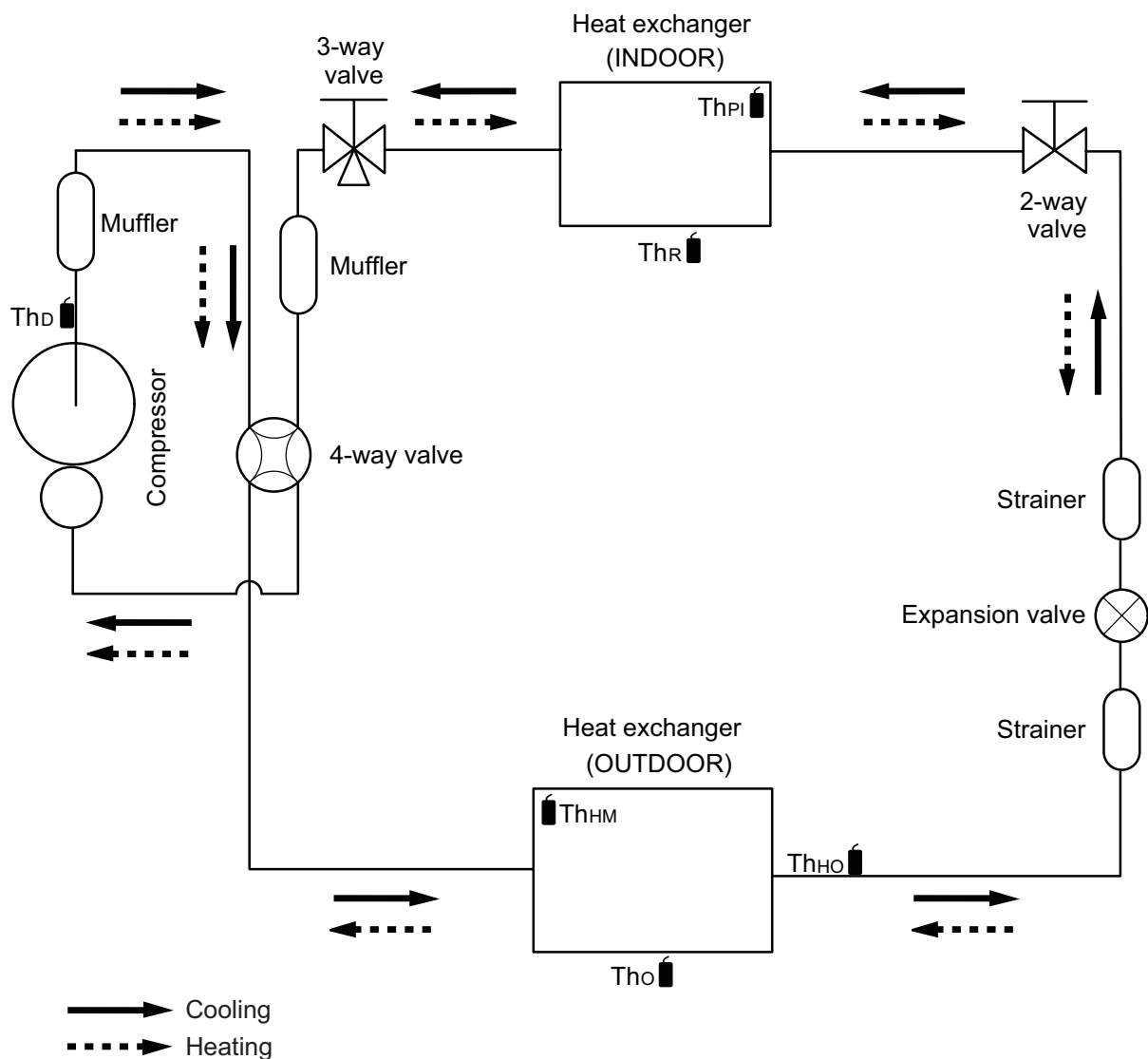
Exterior	Part name	Model name	Summary
	Wireless LAN adapter	UTY-TFSXZ1	Remotely manage an air conditioning system using mobile devices such as smartphones and tablets. For connection indoor unit with UART interface.
	Modbus converter	UTY-VMSX	For connection between indoor unit with UART interface and a Modbus open network.
	KNX converter	UTY-VKSX	For connection between indoor unit with UART interface and a KNX open network.
	External switch controller	UTY-TERX	Air conditioner switching can be controlled by connecting other external sensor switches.

NOTE: Combined use of following optional parts and Wireless LAN adapter (UTY-TFSXZ1) is not allowed.

- External input and output PCB (UTY-XCSX)
- Modbus converter
- KNX converter

6. Refrigerant system diagrams

6-1. Model: AOYG18KATA



Th_D : Thermistor (Discharge temperature)

Th_O : Thermistor (Outdoor temperature)

Th_{HO} : Thermistor (Heat exchanger out temperature)

Th_{HM} : Thermistor (Heat exchanger middle temperature)

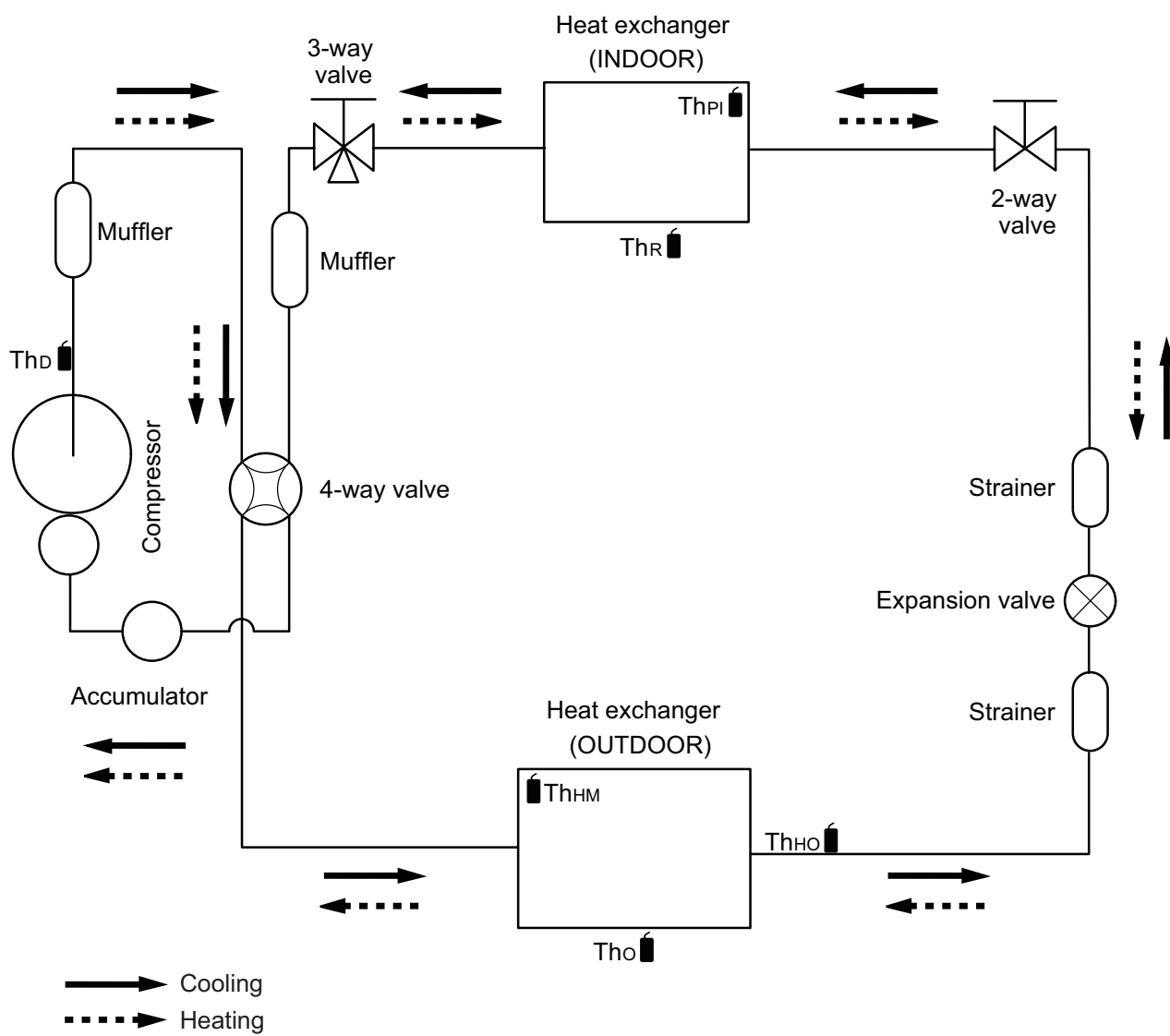
Th_R : Thermistor (Room temperature)

Th_{PI} : Thermistor (Pipe temperature)

6-2. Model: AOYG22KATA

TECHNICAL DATA
AND PARTS LIST

TECHNICAL DATA
AND PARTS LIST

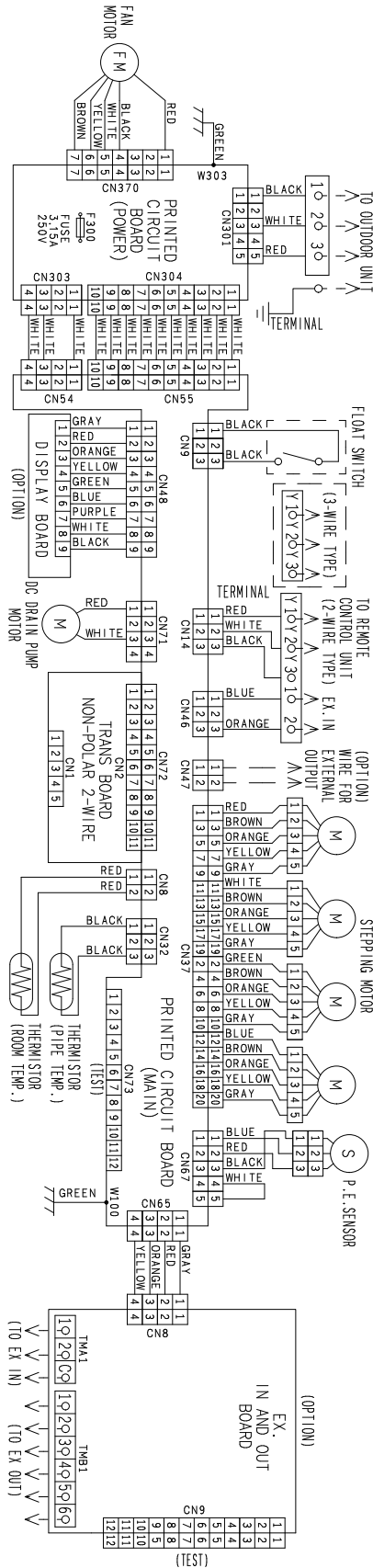


- Th_D : Thermistor (Discharge temperature)
- Th_O : Thermistor (Outdoor temperature)
- Th_{HO} : Thermistor (Heat exchanger out temperature)
- Th_{HM} : Thermistor (Heat exchanger middle temperature)
- Th_R : Thermistor (Room temperature)
- Th_{PI} : Thermistor (Pipe temperature)

7. Wiring diagrams

7-1. Indoor unit

Models: AUXG18KRLB and AUXG22KRLB



TECHNICAL DATA AND PARTS LIST

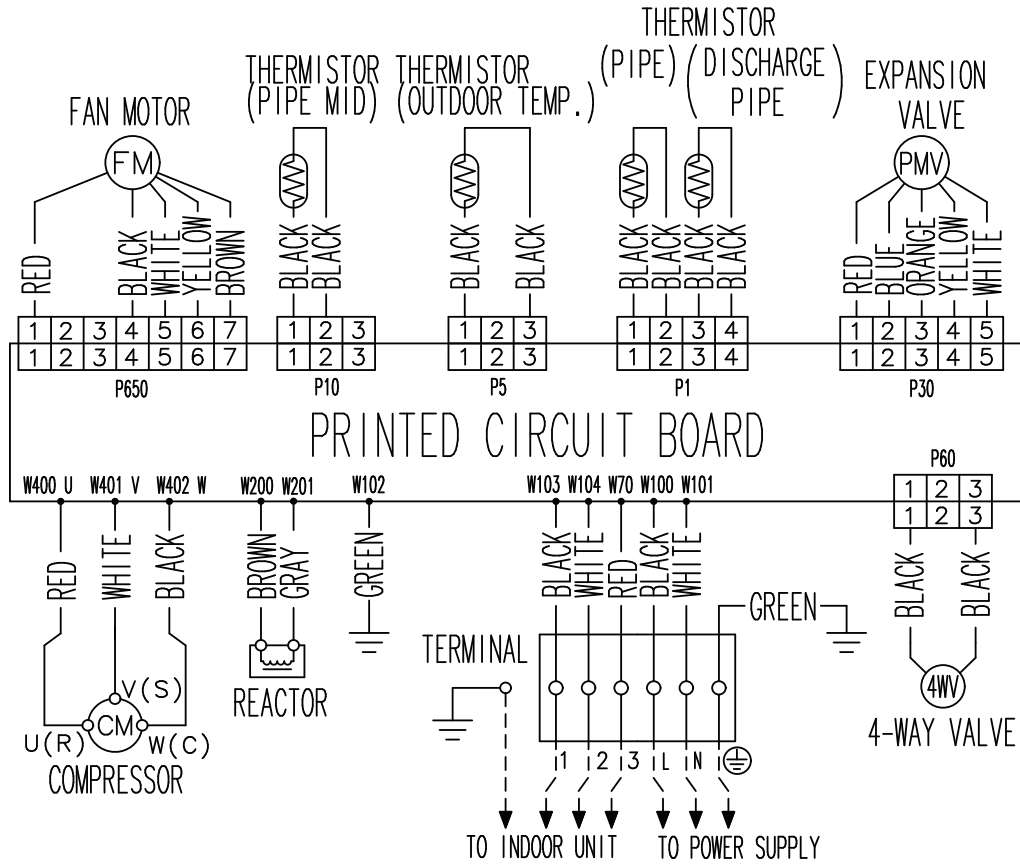
TECHNICAL DATA AND PARTS LIST

7-2. Outdoor unit

Model: AOYG18KATA

TECHNICAL DATA AND PARTS LIST

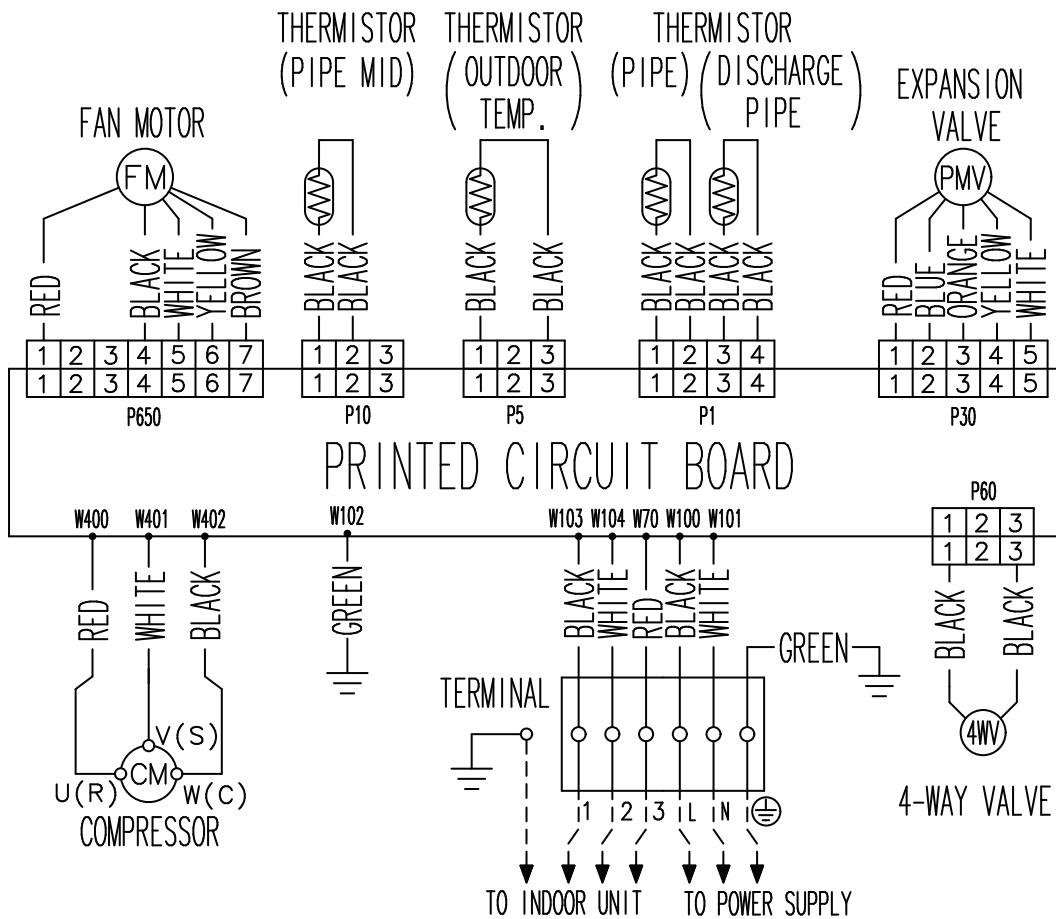
TECHNICAL DATA AND PARTS LIST



Model: AOYG22KATA

TECHNICAL DATA
AND PARTS LIST

TECHNICAL DATA
AND PARTS LIST

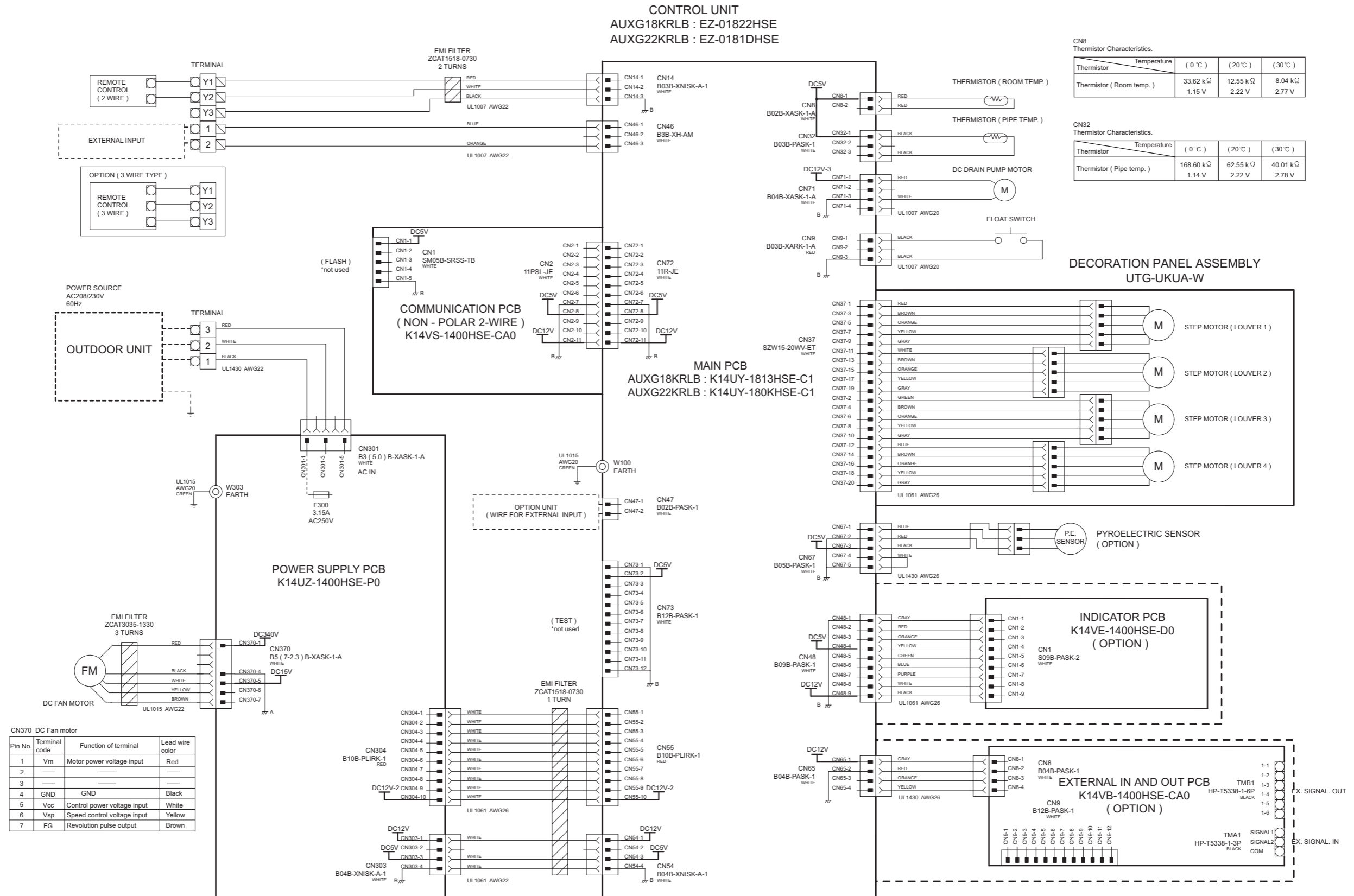


8. PC board diagrams

8-1. Models: AUXG18KRLB and AUXG22KRLB

TECHNICAL DATA AND PARTS LIST

TECHNICAL DATA AND PARTS LIST



CN8 Thermistor Characteristics.

Thermistor	Temperature (0 °C)	(20 °C)	(30 °C)
Thermistor (Room temp.)	33.62 kΩ	12.55 kΩ	8.04 kΩ
	1.15 V	2.22 V	2.77 V

CN32 Thermistor Characteristics.

Thermistor	Temperature (0 °C)	(20 °C)	(30 °C)
Thermistor (Pipe temp.)	168.60 kΩ	62.55 kΩ	40.01 kΩ
	1.14 V	2.22 V	2.78 V

8-3. Model: AOYG22KATA

TECHNICAL DATA
AND PARTS LIST

TECHNICAL DATA
AND PARTS LIST

INVERTER ASSEMBLY EZ-019EHUE

