

SERVICE MANUAL

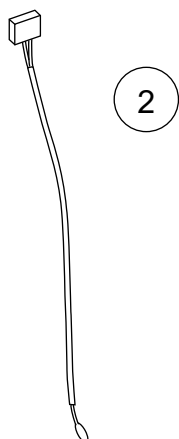
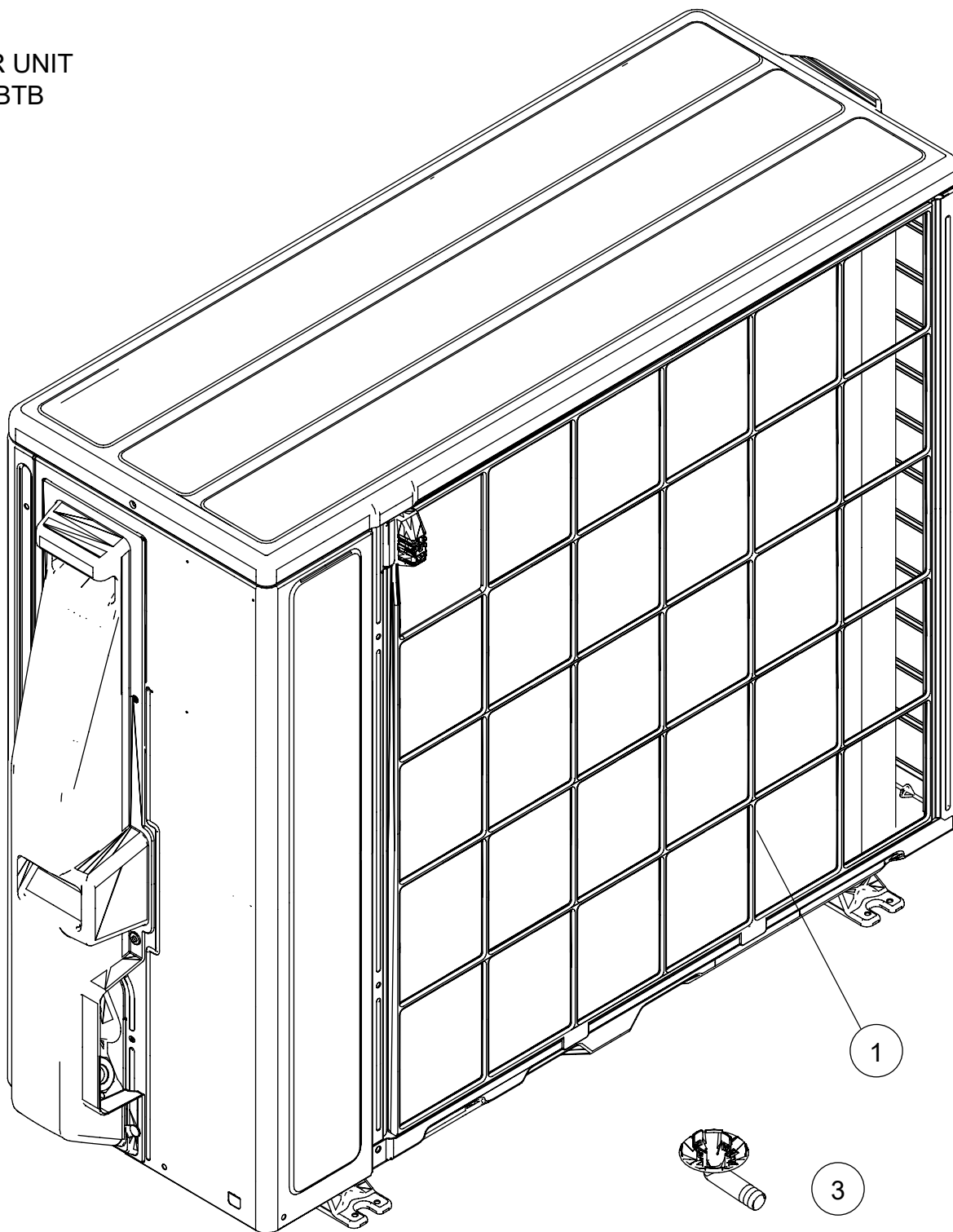


Indoor unit	Outdoor unit
ARXG24KMLA	AOYG24KBTB
ARXG30KMLA	AOYG30KBTB
ARXG36KMLA	AOYG36KBTB
ARXG45KMLA	AOYG45KBTB

CONTENTS

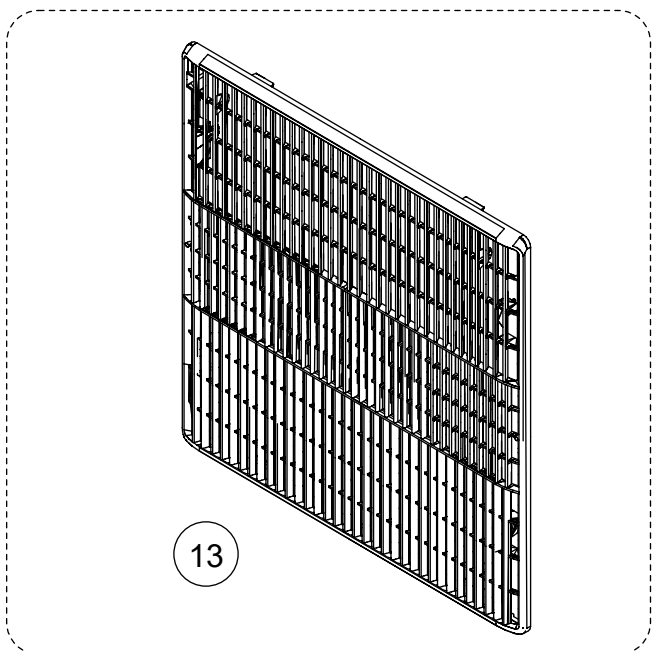
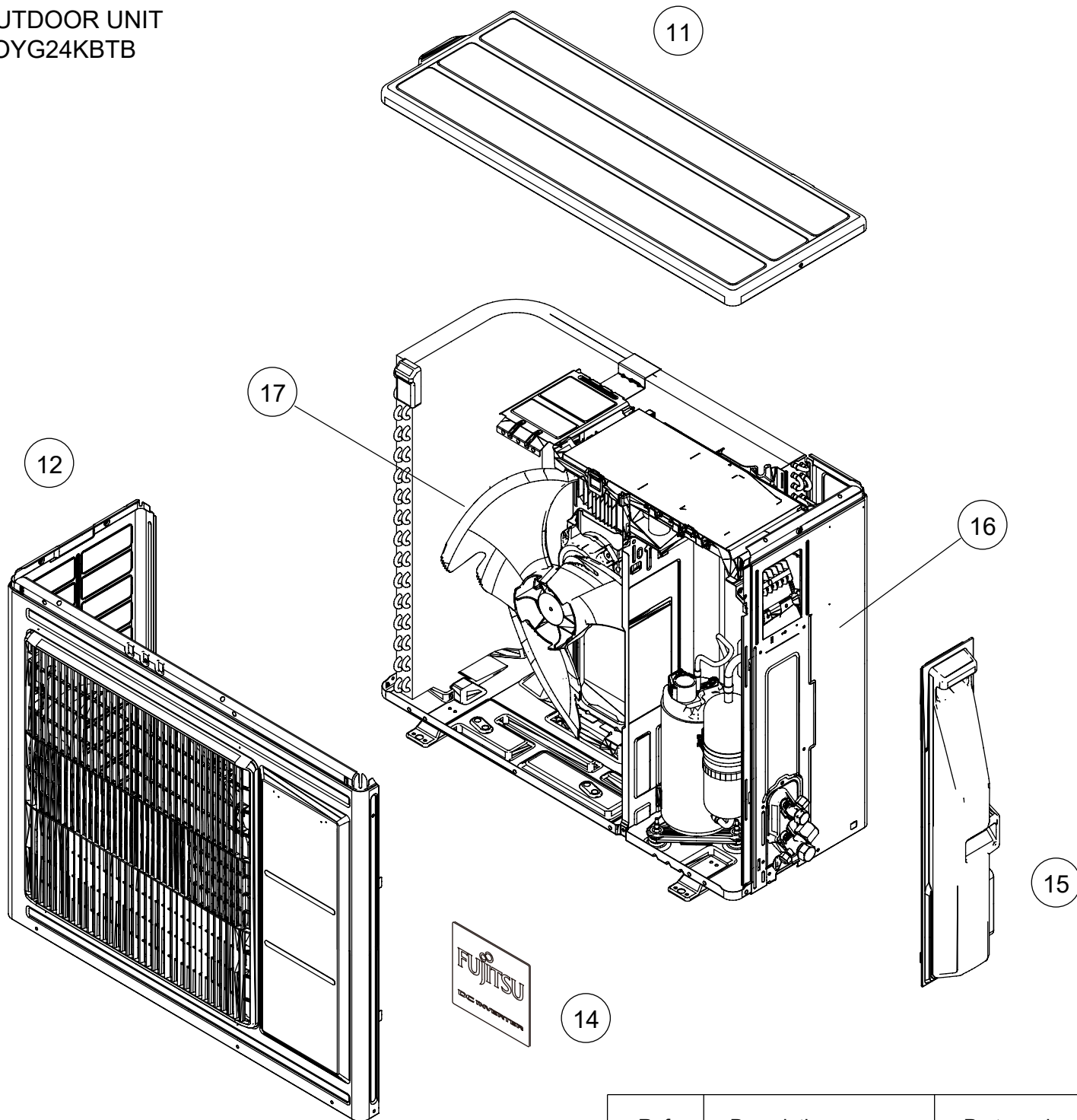
SPECIFICATIONS.....	1
DIMENSIONS.....	6
REFRIGERANT SYSTEM DIAGRAM... ..	18
INDOOR PCB CIRCUIT DIAGRAM	20
OUTDOOR PCB CIRCUIT DIAGRAM. . .	21
ERROR DETECTION	23
PARTS (INDOOR UNIT).....	25
PARTS (OUTDOOR UNIT).....	30
ACCESSORIES	46

OUTDOOR UNIT
AOYG24KBTB



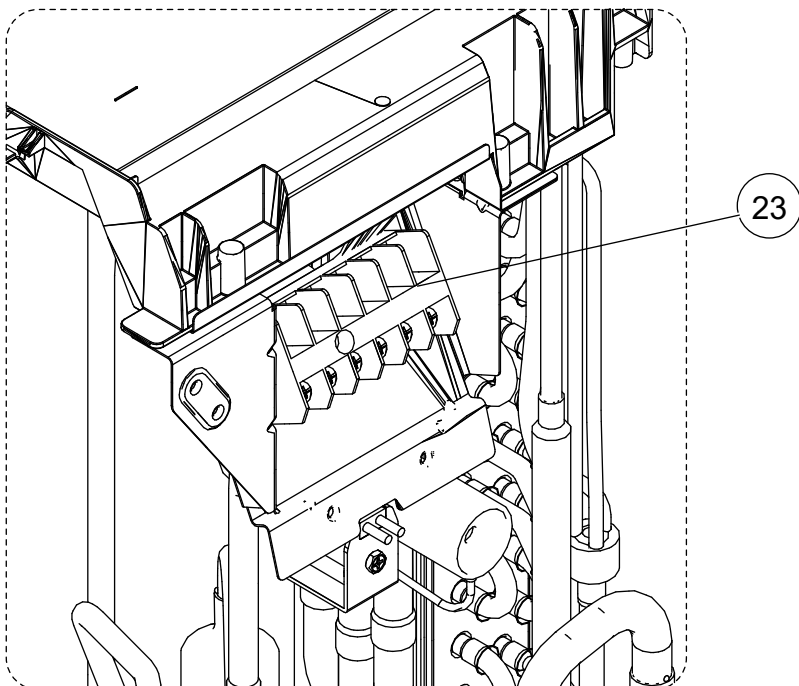
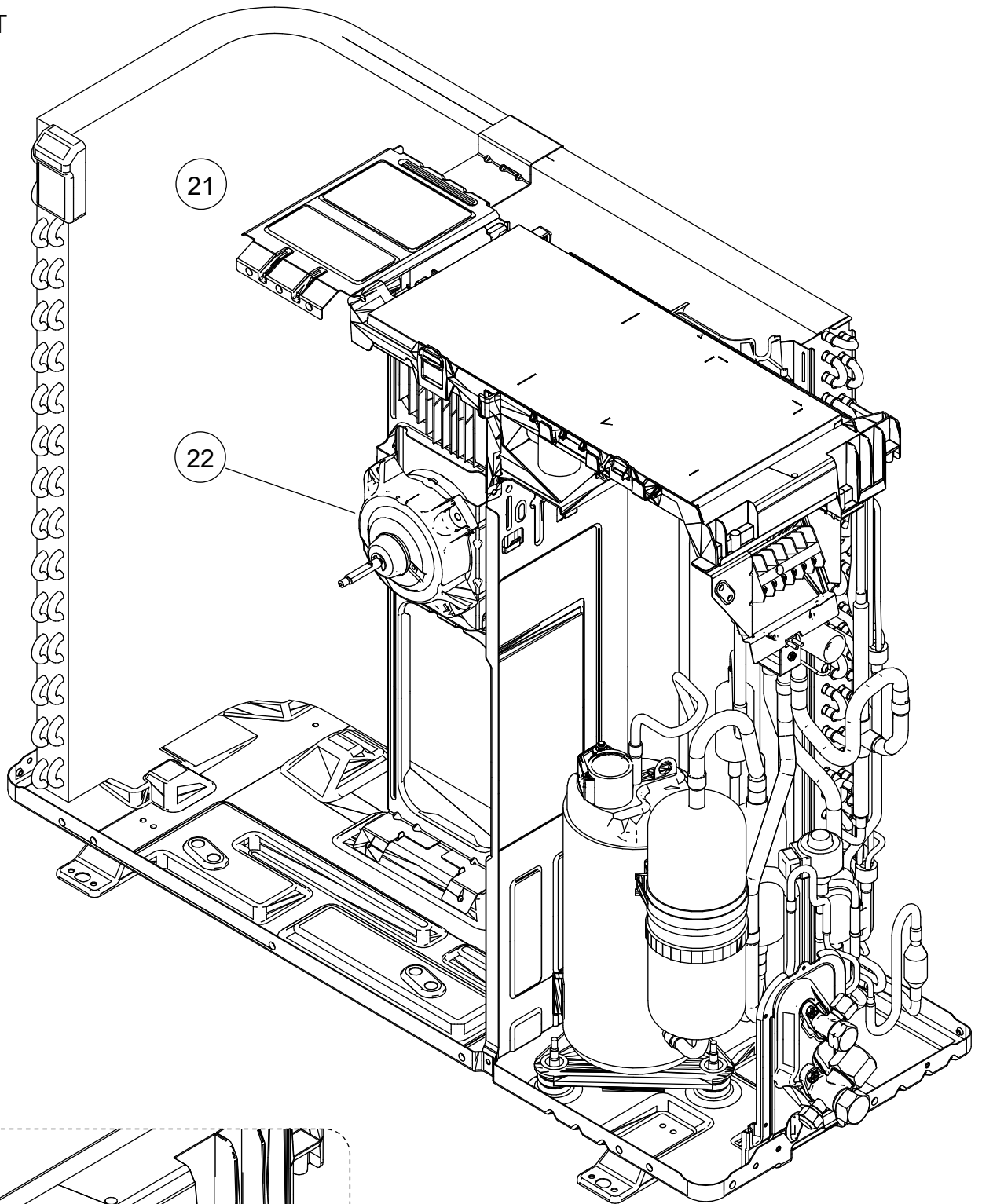
Ref.	Description	Part number
1	Protective net assy	9322811042
2	Outdoor thermistor	9900585060
3	Drain pipe	9322144003

OUTDOOR UNIT
AOYG24KBTB



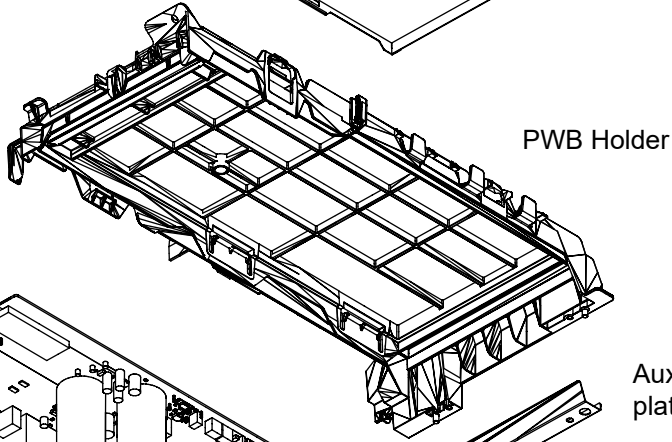
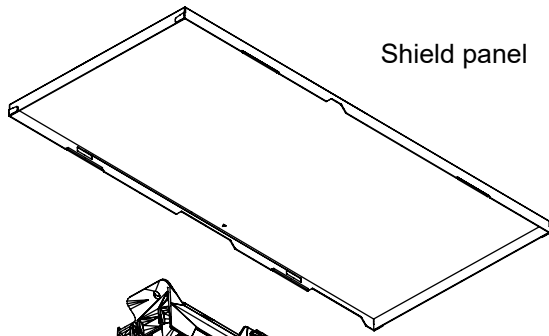
Ref.	Description	Part number
11	Top panel assy	9322556073
12	Front panel assy	9322555038
13	Blow grille	9322149008
14	Emblem	9319151007
15	Switch cover assy	9322570031
16	Cabinet right Assy	9322552150
17	Propeller fan	9322150004

OUTDOOR UNIT
AOYG24KBTB

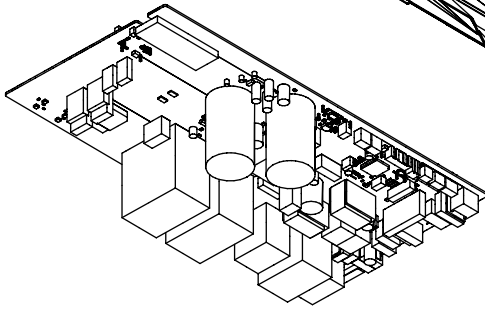


Ref.	Description	Part number
21	Motor bracket assy	9322553034
22	Brushless motor	9603601003
23	Terminal	9900435028

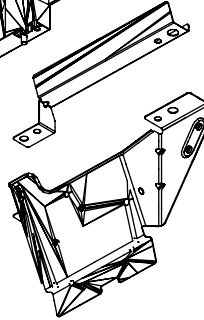
OUTDOOR UNIT
AOYG24KBTB



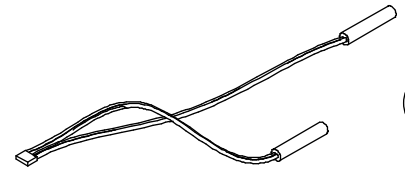
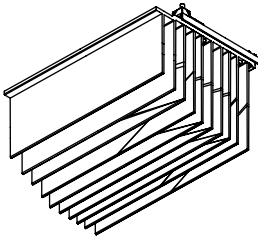
31



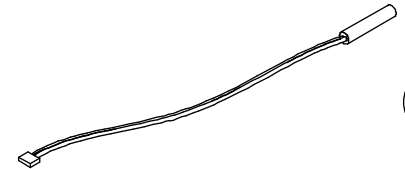
Auxiliary plate



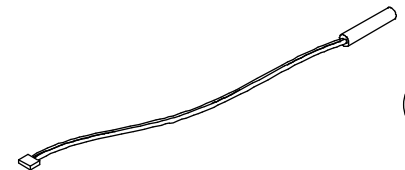
Terminal bracket assy



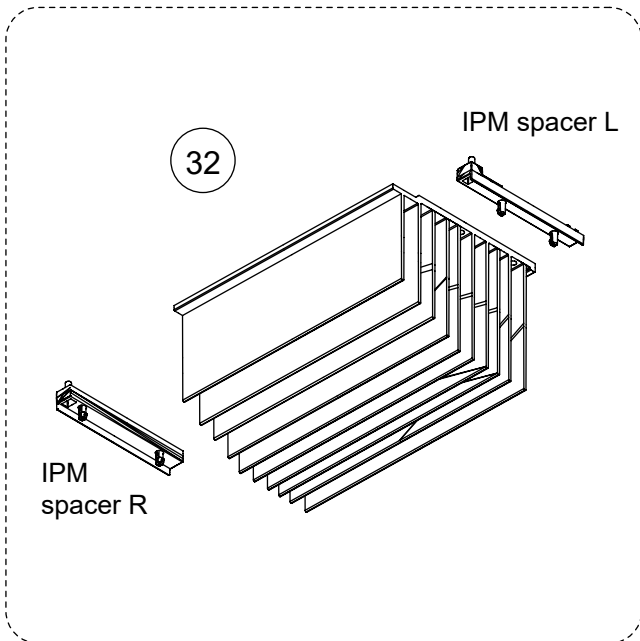
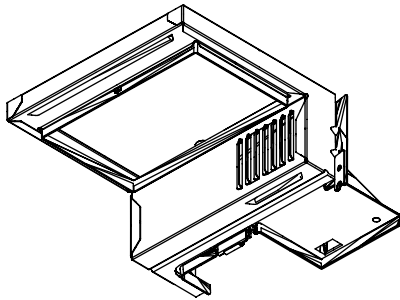
33



34

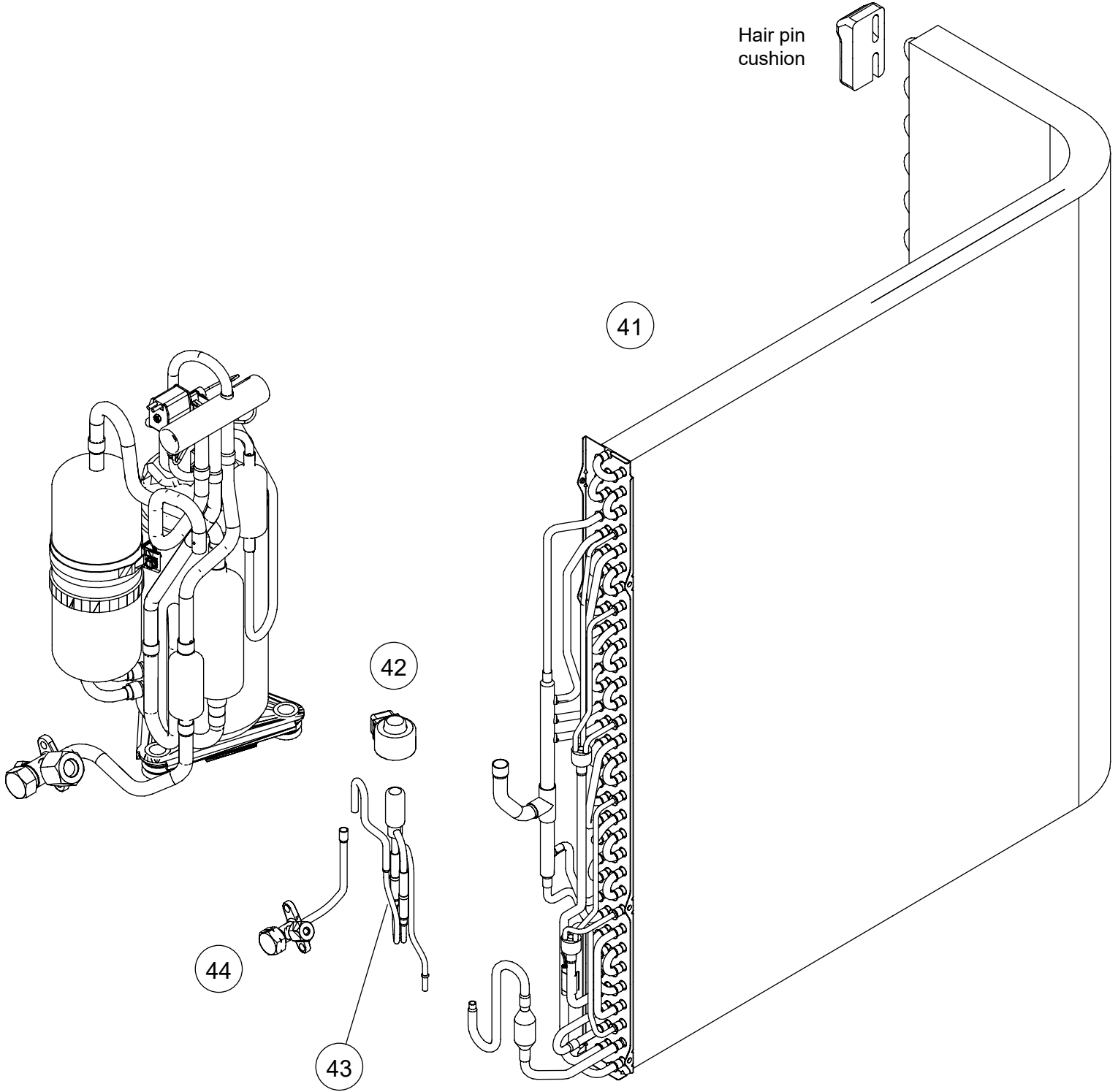


35



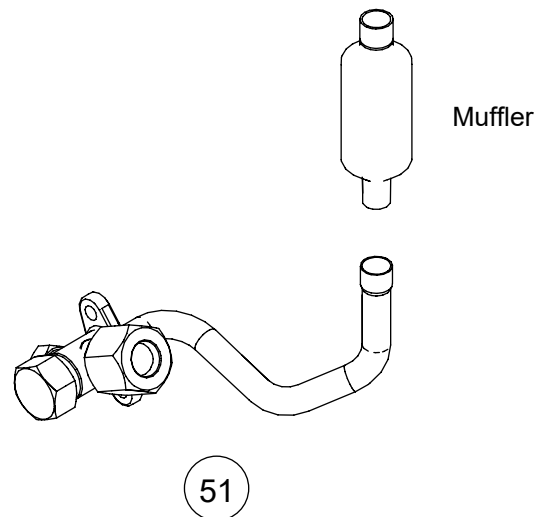
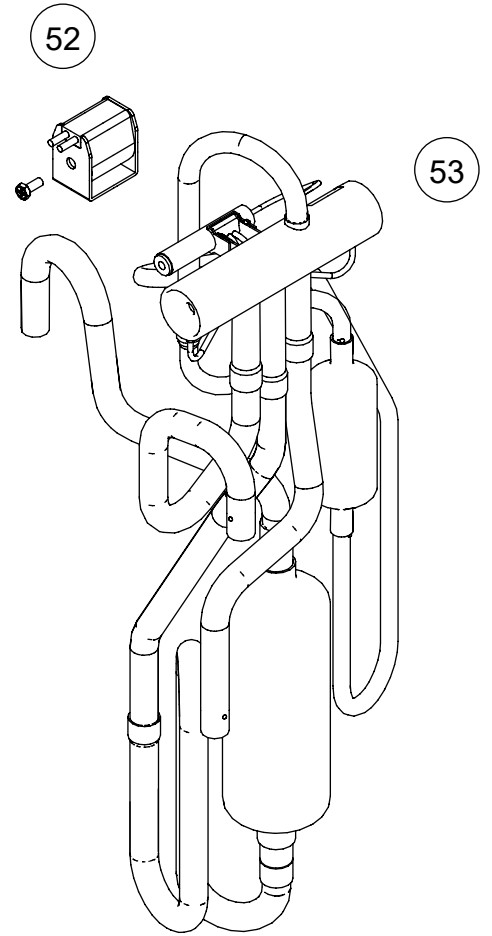
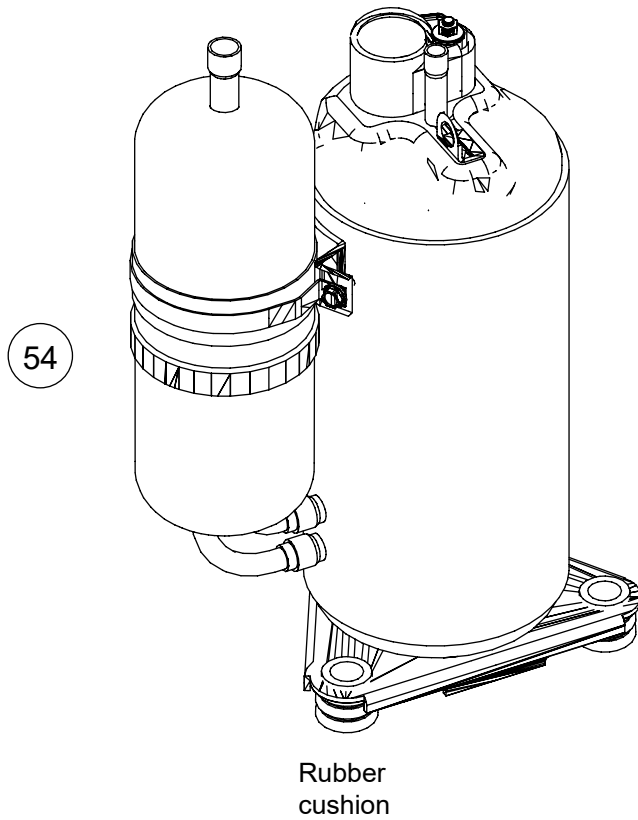
Ref.	Description	Part number
31	Main PCB, Service unit	9709683408
32	Heatsink	9322421043
33	Thermistor assy	9900727116
34	Heat exchanger thermistor	9900984014
35	Compressor thermistor	9900985011

OUTDOOR UNIT
AOYG24KBTB



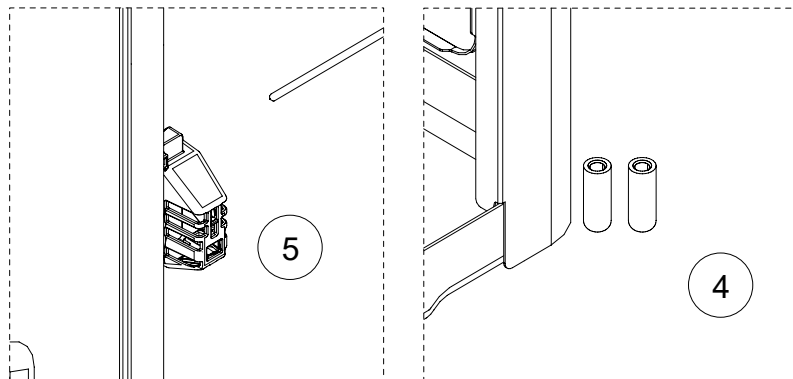
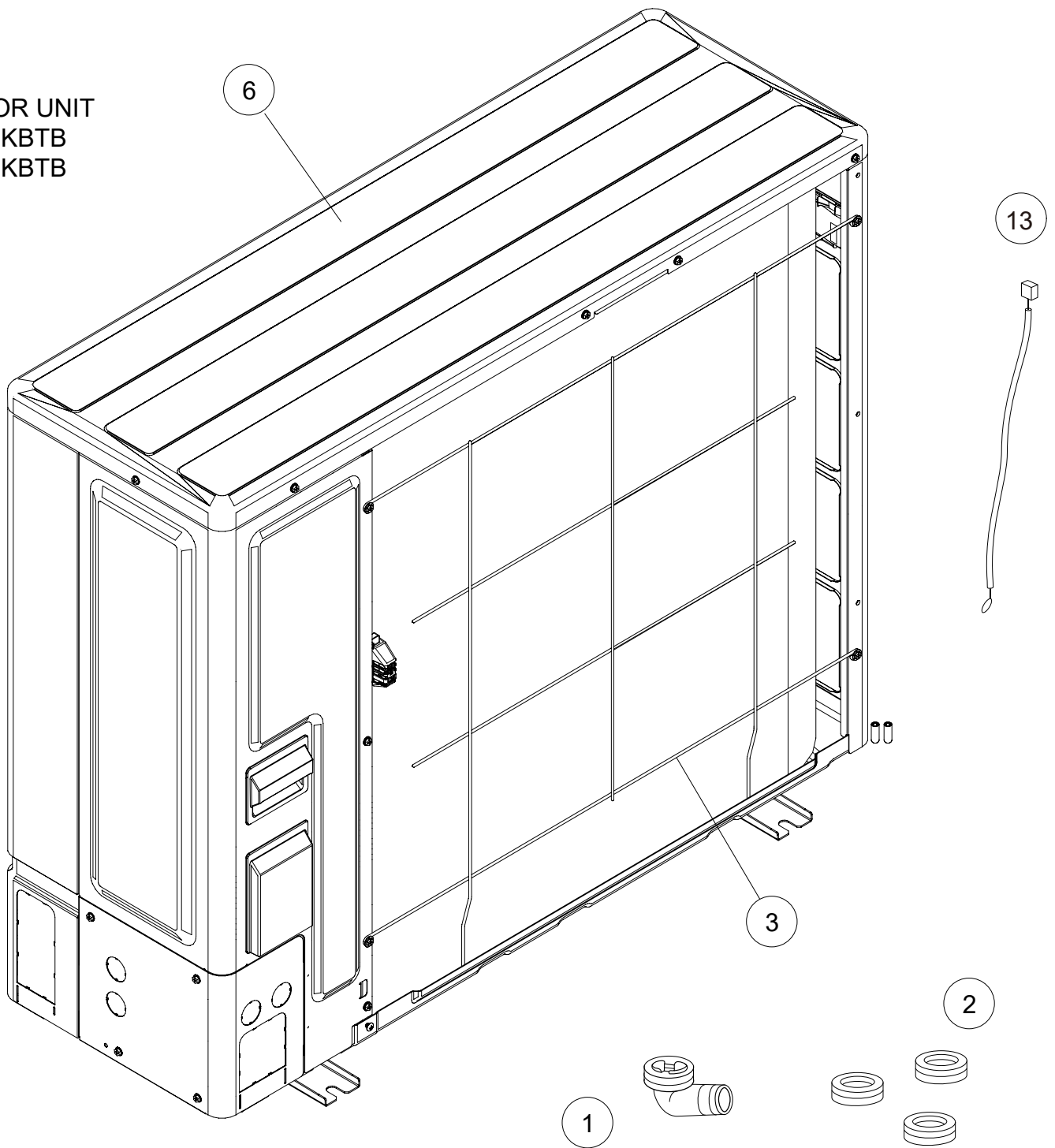
Ref.	Description	Part number
41	Condenser total assy	9317089630
42	Expansion valve coil	9970173028
43	Pulse motor valve assy	9322463029
44	2-way valve assy	9322474001

OUTDOOR UNIT
AOYG24KBTB



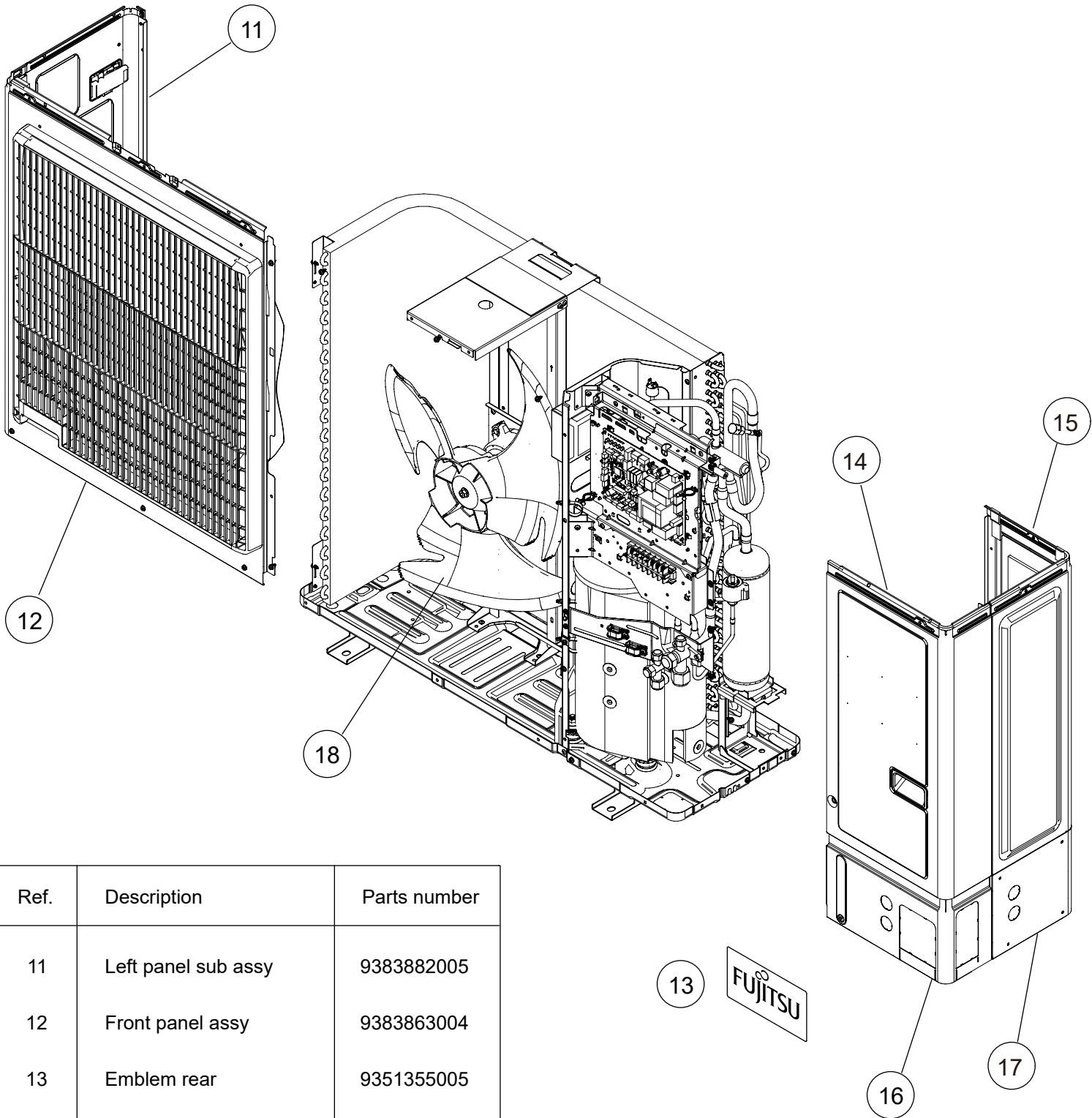
Ref.	Description	Part number
51	3-way valve assy	9387831016
52	Solenoid	9970206009
53	4-way valve assy	9383129025
54	Compressor	9810521002
-	S-insulator B	9322503008
-	S-insulator F	9322529008
-	S-insulator H	9322501004
-	S-insulator V	9323045002
-	S-insulator K	9322824004

OUTDOOR UNIT
AOYG30KBTB
AOYG36KBTB



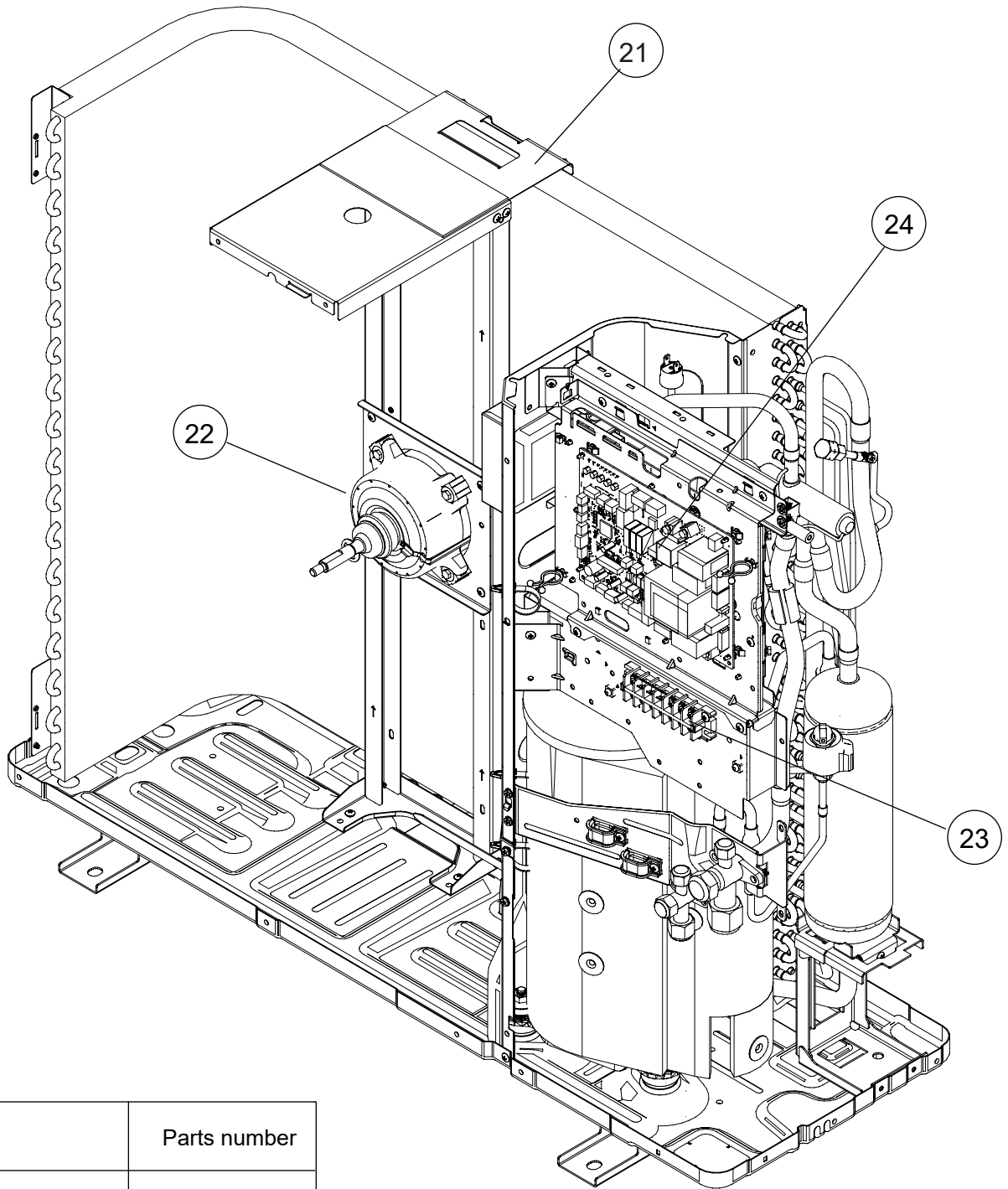
Ref.	Description	Parts number
1	Drain assy	9303029015
2	Drain cap	313166024302
3	Protective net rear	9383779008
4	Rubber (net)	9375361013
5	Thermo holder	9383607004
6	Top panel sub assy	9383880001
13	Outdoor Thermistor	9900565091

OUTDOOR UNIT
 AOYG30KBTB
 AOYG36KBTB

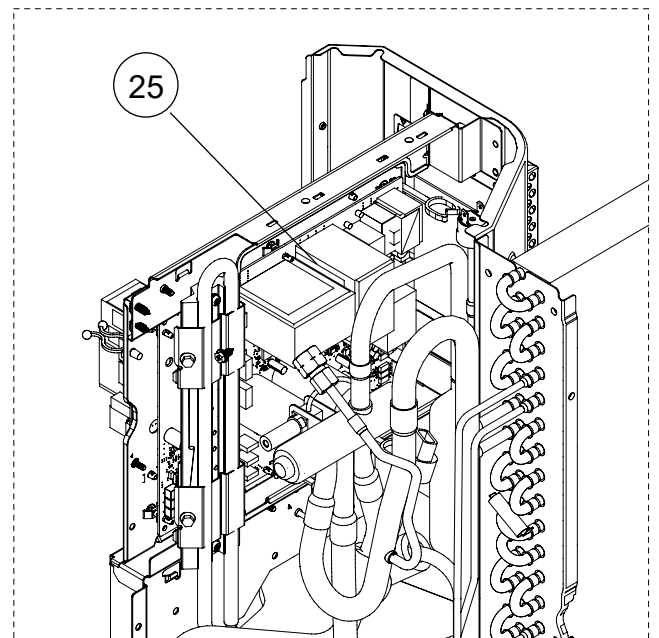


Ref.	Description	Parts number
11	Left panel sub assy	9383882005
12	Front panel assy	9383863004
13	Emblem rear	9351355005
14	Sevice panel sub assy	9383876004
15	Right panel sub assy	9383874000
16	Pipe cover front	9383878008
17	Pipe cover rear	9383879005
18	Propeller fan	9383336003

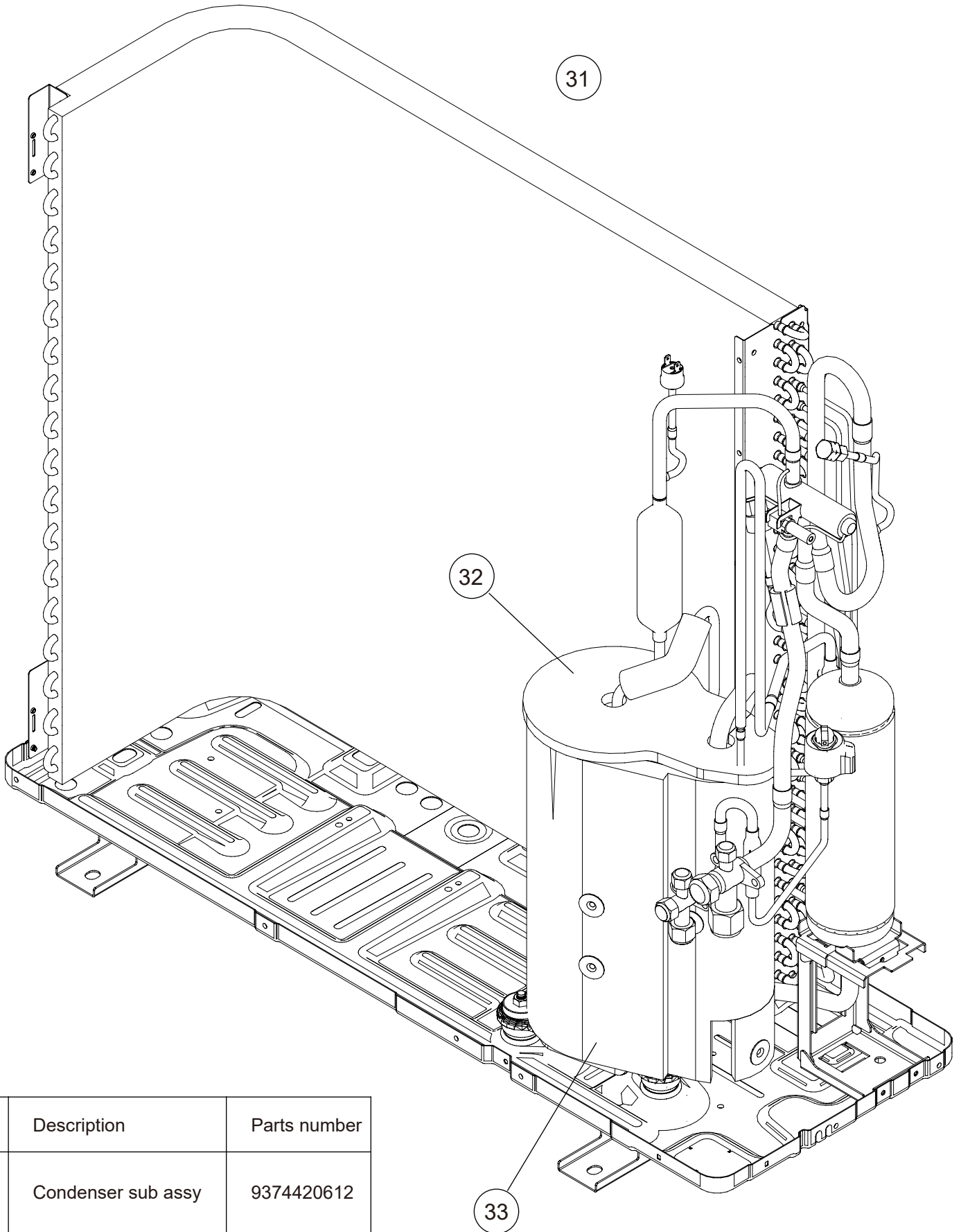
OUTDOOR UNIT
 AOYG30KBTB
 AOYG36KBTB



Ref.	Description	Parts number
21	Motor bracket assy	9383862007
22	Motor, DC Brushless	9603732011
23	Terminal 7P	9900203061
24	Main PCB (Service) (30)	9711431271
24	Main PCB (Service) (36)	9711431240
25	Inverter PCB (Service)	9709684108
--	Heat ex. thermistor	9900984038
--	Thermistor assy	9900727154
--	Compressor thermistor	9900985035



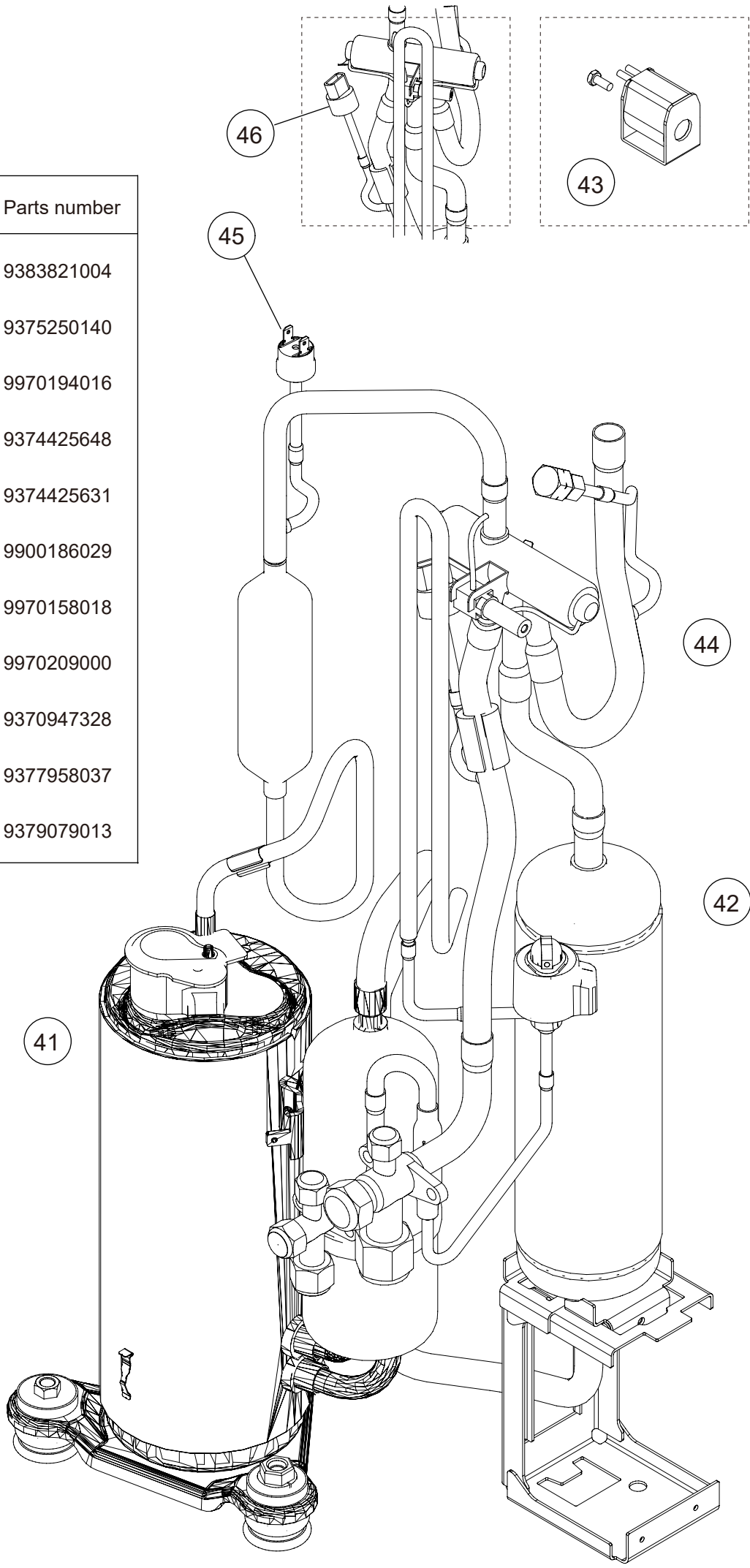
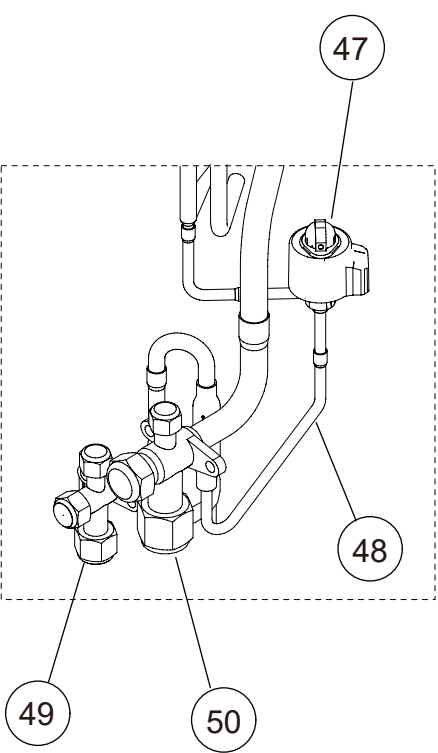
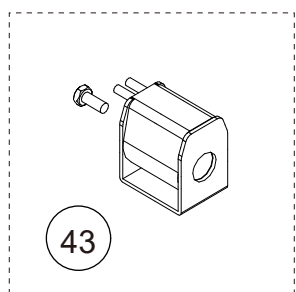
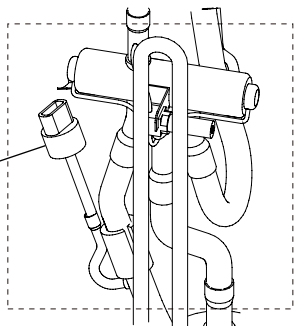
OUTDOOR UNIT
 AOYG30KBTB
 AOYG36KBTB



Ref.	Description	Parts number
31	Condenser sub assy	9374420612
32	S-ABS (top)	9380516064
33	S-ABS (body)	9379647168

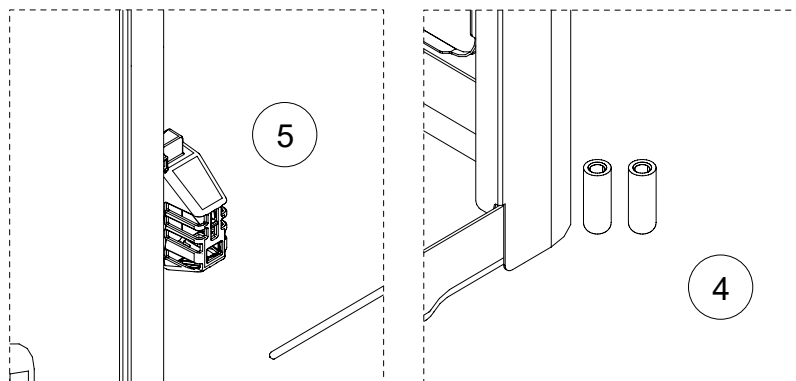
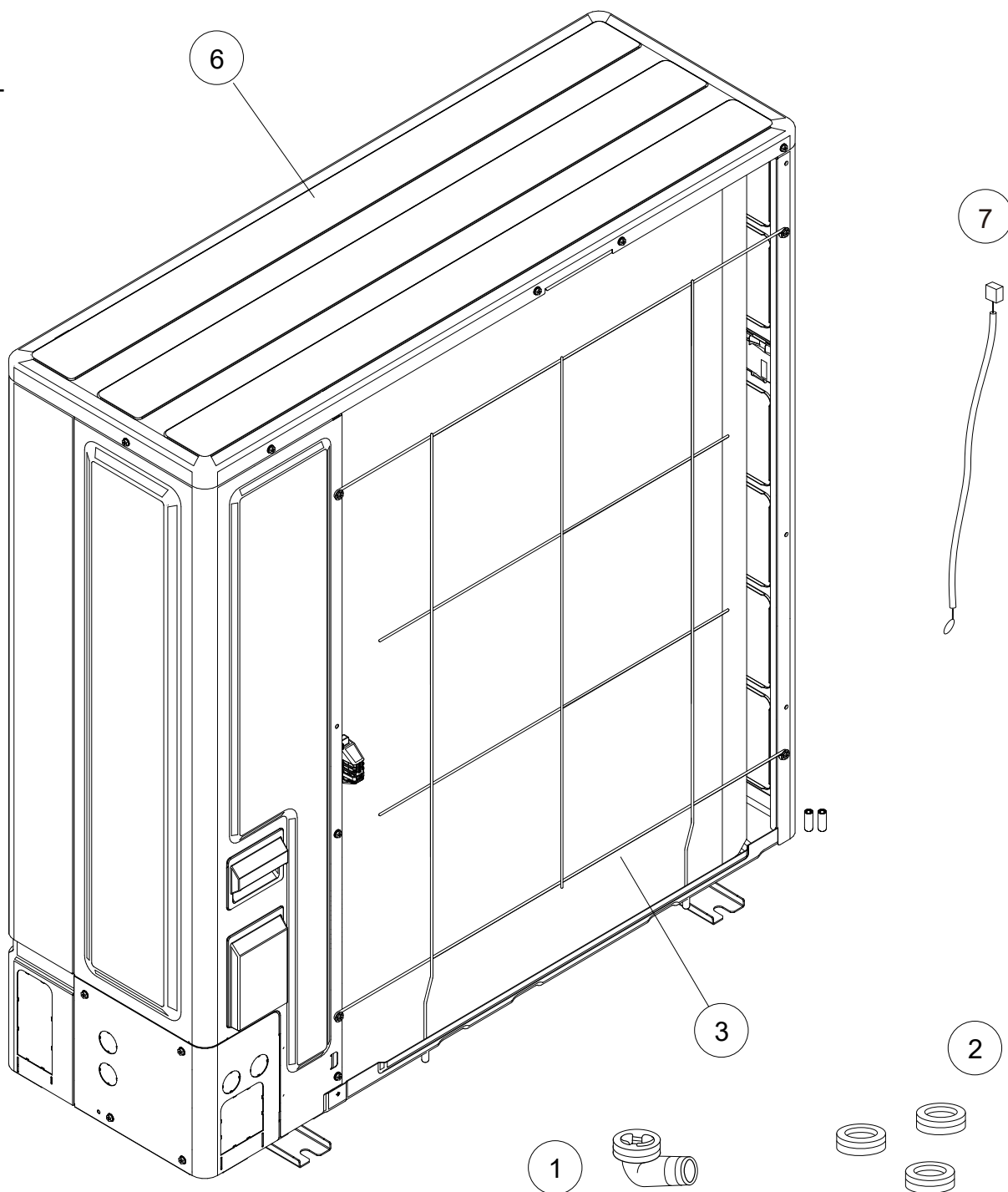
OUTDOOR UNIT
 AOYG30KBTB
 AOYG36KBTB

Ref.	Description	Parts number
41	Compressor assy	9383821004
42	Accumulator assy	9375250140
43	Solenoid	9970194016
44	4-way valve assy (30)	9374425648
44	4-way valve assy (36)	9374425631
45	pressure switch	9900186029
46	Sensor (36)	9970158018
47	Expansion valve coil	9970209000
48	Expansion valve assy	9370947328
49	3-way valve assy	9377958037
50	3-way valve assy	9379079013



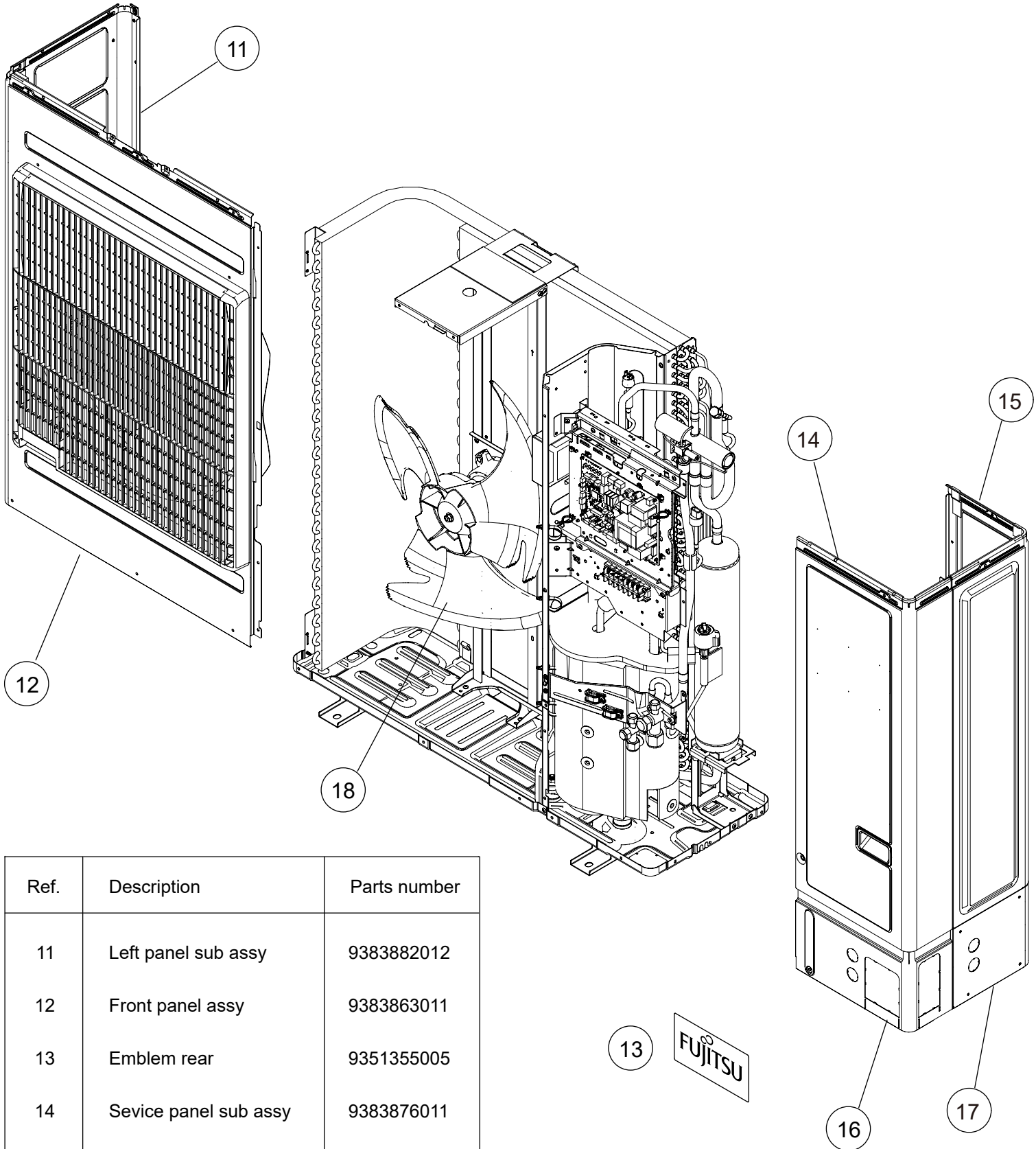
PARTS

OUTDOOR UNIT
AOYG45KBTB



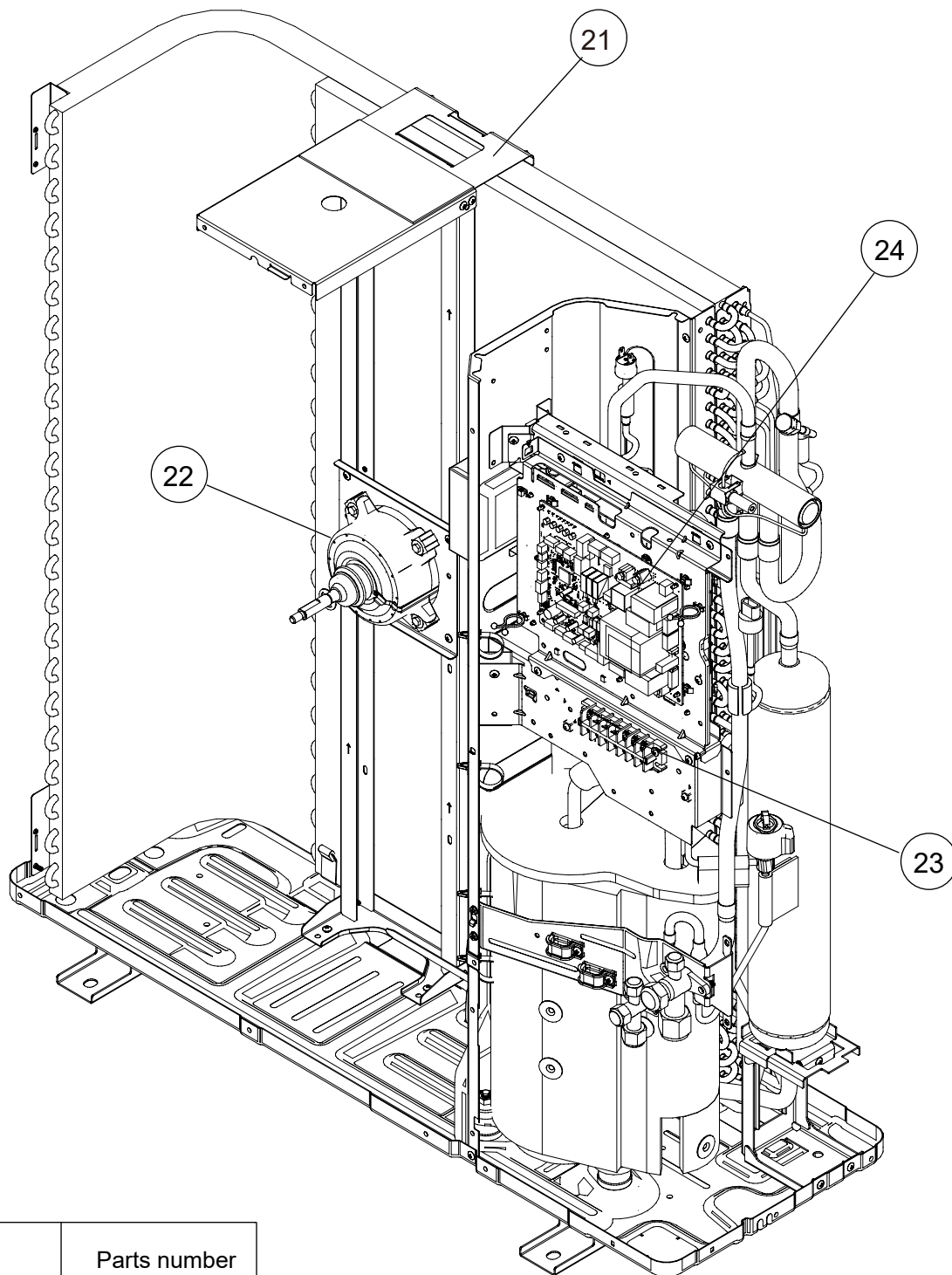
Ref.	Description	Parts number
1	Drain assy	9303029015
2	Drain cap	313166024302
3	Protective net rear	9381013005
4	Rubber (net)	9375361013
5	Thermo holder	9383607004
6	Top panel sub assy	9383880001
7	Outdoor Thermistor	9900565091

OUTDOOR UNIT
AOYG45KBTB

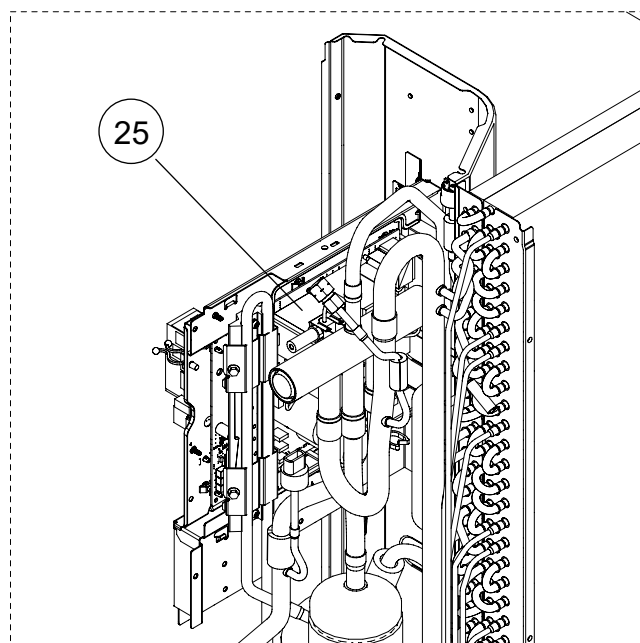


Ref.	Description	Parts number
11	Left panel sub assy	9383882012
12	Front panel assy	9383863011
13	Emblem rear	9351355005
14	Sevice panel sub assy	9383876011
15	Right panel sub assy	9383874017
16	Pipe cover front	9383878008
17	Pipe cover rear	9383879005
18	Propeller fan	9383336003

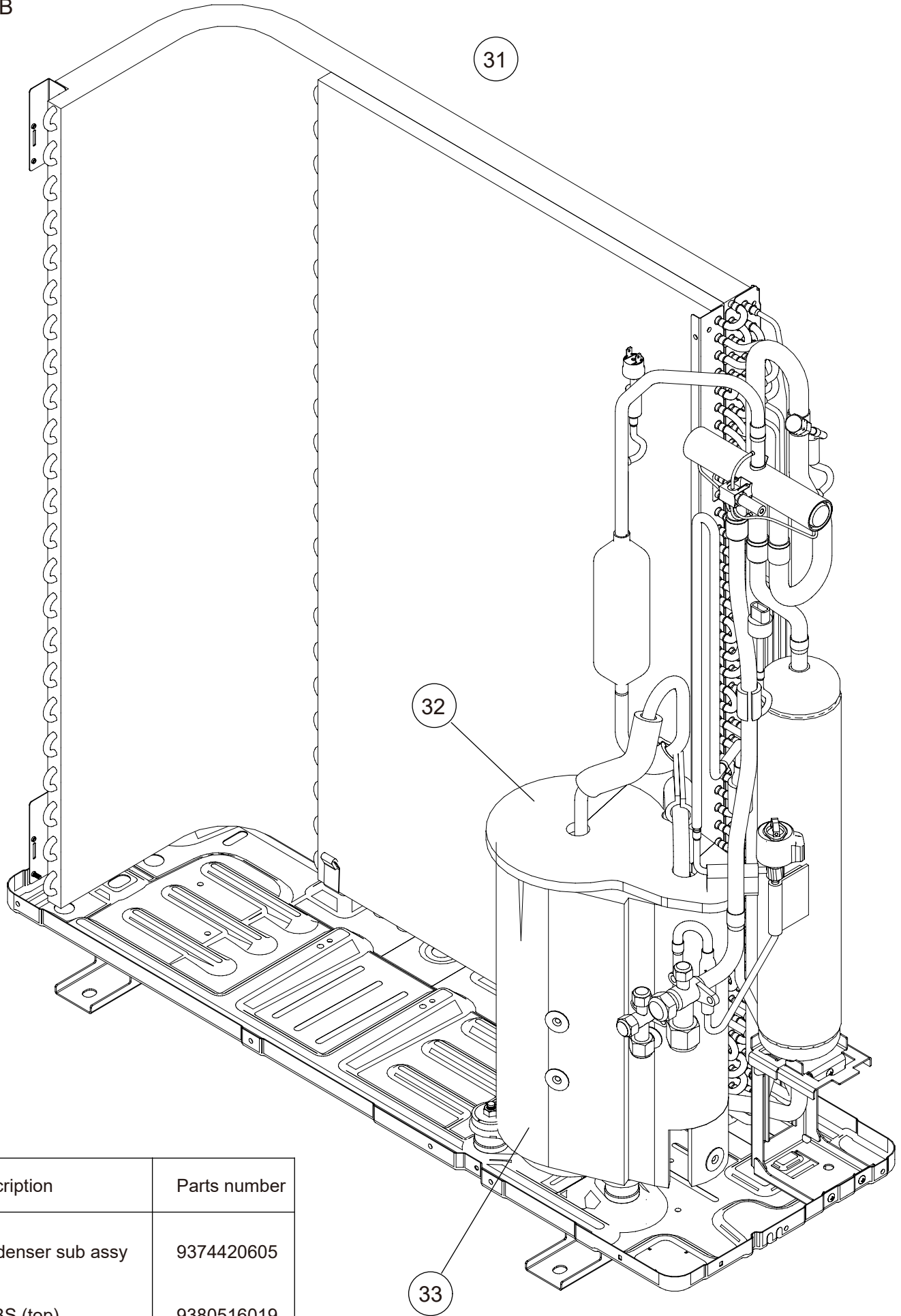
OUTDOOR UNIT
AOYG45KBTB



Ref.	Description	Parts number
21	Motor bracket assy	9383862014
22	Motor, DC Brushless	9603733018
23	Terminal 7P	9900203061
24	Main PCB (Service)	9711431257
25	Inverter PCB (Service)	9709684115
--	Heat ex. thermistor	9900984038
--	Thermistor assy	9900727154
--	Compressor thermistor	9900985028



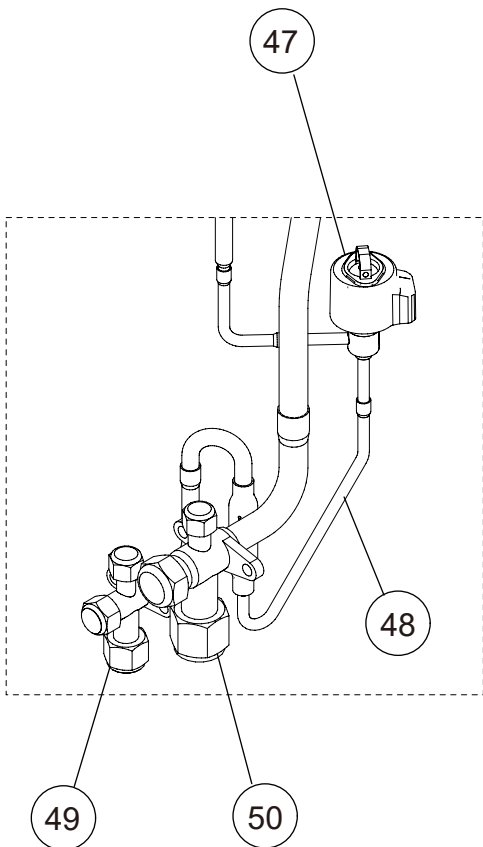
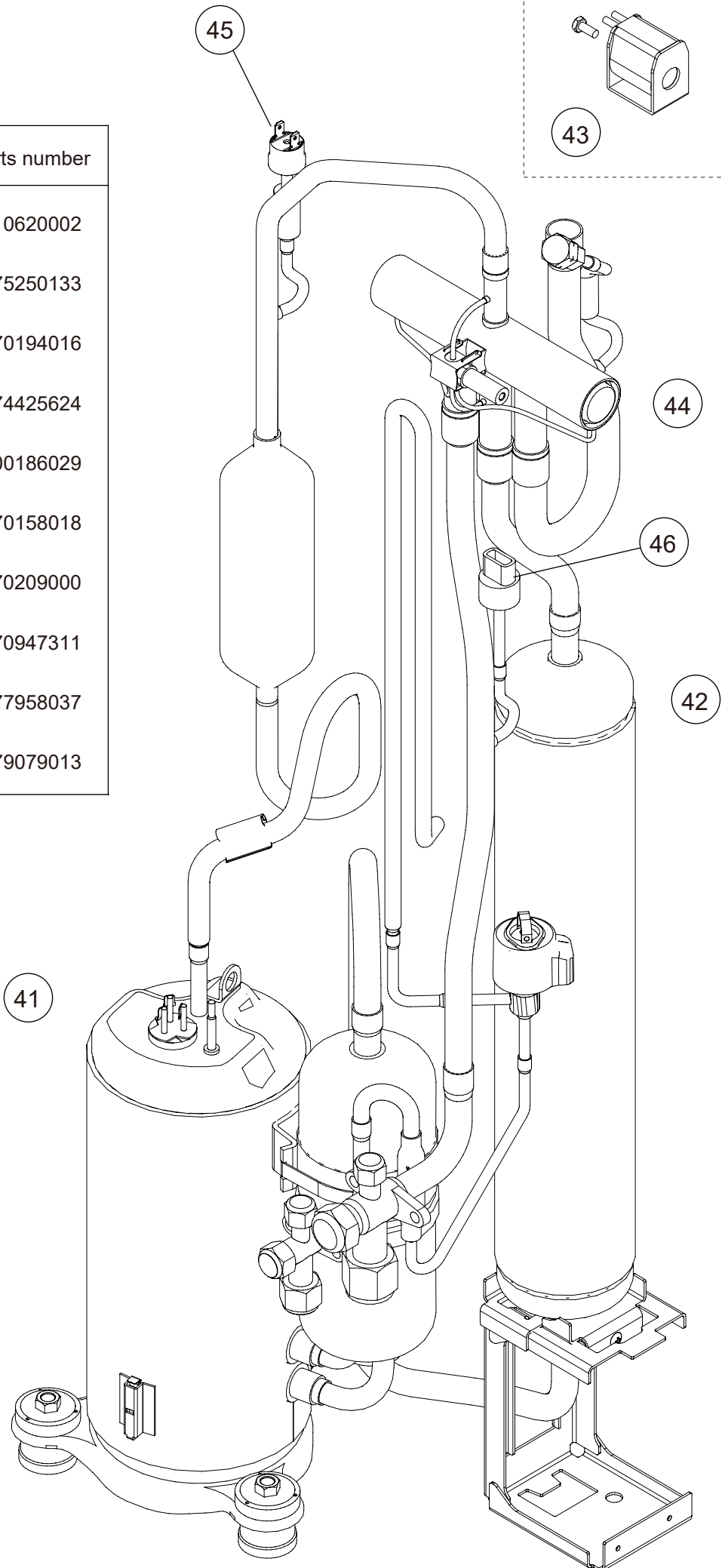
OUTDOOR UNIT
AOYG45KBTB



Ref.	Description	Parts number
31	Condenser sub assy	9374420605
32	S-ABS (top)	9380516019
33	S-ABS (body)	9379647168

OUTDOOR UNIT
AOYG45KBTB

Ref.	Description	Parts number
41	Compressor	9810620002
42	Accumulator assy	9375250133
43	Solenoid	9970194016
44	4-way valve assy	9374425624
45	pressure switch	9900186029
46	Sensor	9970158018
47	Expansion valve coil	9970209000
48	Expansion valve assy	9370947311
49	3-way valve assy	9377958037
50	3-way valve assy	9379079013



1903G4805