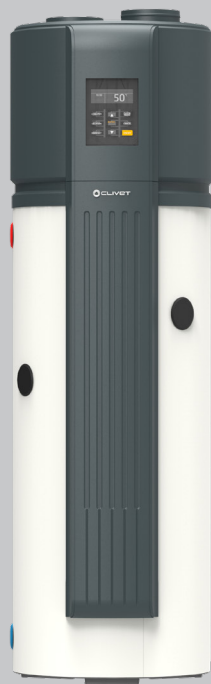




*Packaged monoblock heat pump for domestic hot water production*

## AQUA PLUS SWAN-2 190-190S-300-300S RANGE

TECHNICAL BULLETIN



| SIZE                | 190  | 300  | 190S | 300S |
|---------------------|------|------|------|------|
| HEATING CAPACITY KW | 2,31 | 3,25 | 2,31 | 3,25 |

---

Page

|    |  |
|----|--|
| 3  | Features and benefits                  |
| 5  | Standard unit technical specifications |
| 7  | Accessories separately supplied        |
| 9  | General technical data                 |
| 12 | Hydraulic connections                  |
| 13 | Aeraulic connections                   |
| 14 | Data for the UNI/TS 11300 calculation  |
| 15 | Dimensional drawings                   |

# Features and benefits

## System Description

AQUA Plus is a specialised heat pump system for producing domestic hot water.

AQUA Plus reduces costs connected with the production of domestic hot water. Using heat pump technology, AQUA Plus is able to transform renewable energy contained in the air into heat, which it then uses to raise the temperature of water contained in the storage tank. The consumption of electrical power in this sequence is reduced to a minimum. AQUA Plus is 4 times more efficient than a traditional electrical boiler, which in economic terms means a 75% reduction in cost for electricity for the same amount of thermal power produced.

## TOP Efficiency

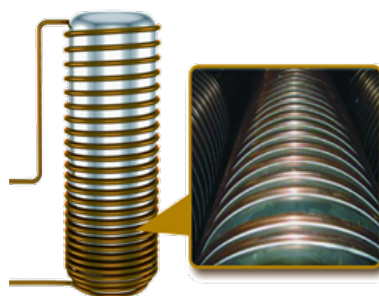
AQUA Plus reaches the highest levels of efficiency present at this moment on the market. Thanks to the careful design of the cooling circuit, it has been placed in the class A+ according to the ErP Directive.

The high values of COP allow for significant savings in energy and operating costs, in addition to an increased use of renewable energy.



## Enamel Steel Tank with heat exchanger wrapped around the tank

The innovative active electronic anode and the enamelled steel tank guarantee a high level of protection against corrosion. The exchanger (condenser) consists of an ALUMINIUM coil wrapped around the outside of the domestic hot water storage tank. This feature guarantees maximum safety because it prevents any possible contamination between the refrigerant and the water. Before the Aluminium condenser is wrapped around the tank, it is shaped to obtain an innovative profile designed to maximize the surface in contact with the tank and improve thermal exchange.



## Full Operating Limits

The use of the most advanced technologies, both in terms of components and in relation to regulating logic, allow AQUA to be used in extreme temperatures. AQUA can function within the air temperature range of -20°C to +43°C in combined operation (heat pump + electrical heating element) and even in the range of -7°C to +43°C with only the heat pump.

Moreover, it is possible to reach hot water temperatures exceeding 65°C using only the heat pump.



## Advanced control options

AQUA Plus has a **Modbus** connection port for integration with third-party home automation systems.

The unit is also compatible with **ELFOControl<sup>3</sup> EVO**, the Clivet supervision system that optimises operation of resistance systems. AQUA Plus can be integrated with **photovoltaic panels** thanks to its dedicated input, and is also set up for **Smart Grid** management.

It is also possible to control AQUA Plus through a **user-friendly App**: the **Wi-Fi** function is supplied as standard with the unit so that the users can display and set the main unit parameters on their smartphone.



## User Interface

To control AQUA, it is possible to use the control panel mounted on the unit.

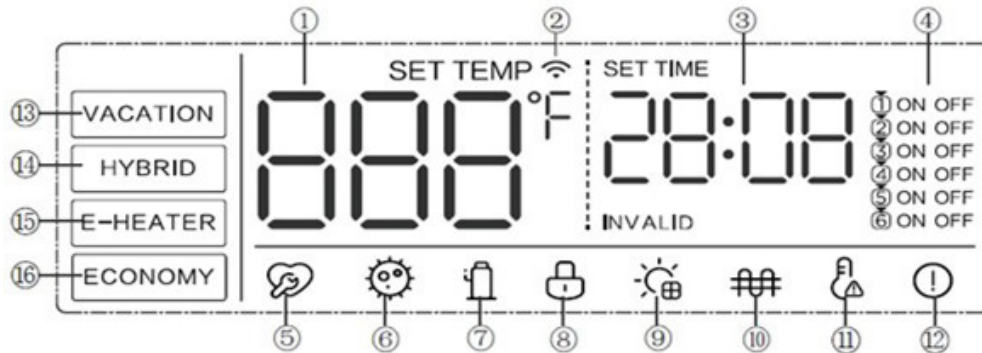
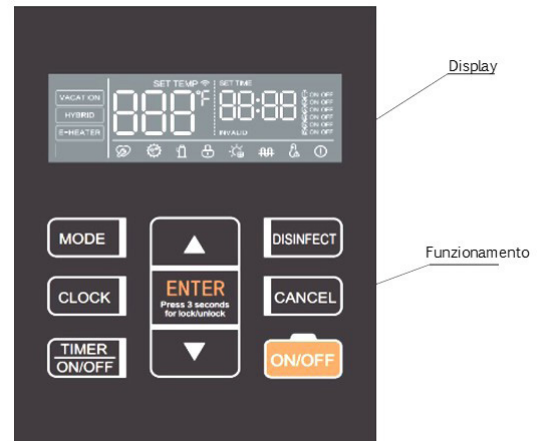
The control system was designed to be quick and intuitive for the user. All parameters are easily accessible with the 9 central buttons.

The control panel allows the user to view:

- current water temperature
- unit operating status
- the operating status of the compressor and the electric heating element
- any possible malfunction

and to set:

- the SET temperature of the accumulator
- the unit's schedule, up to six activation or deactivation times
- manual activation of the electric heating element
- manual activation of the anti-legionella disinfection cycle
- switching the unit on and off



| REF | ICON                       | DESCRIPTION  | REF | ICON                          | DESCRIPTION  |
|-----|----------------------------|--|-----|-------------------------------|--|
| 1   | 000°F                      | On: screen locked  | 10  | #                             | Electric heater in operation                           |
| 2   | WiFi symbol                | On: WiFi connected;<br>Off: WiFi not connected;<br>Flashing: WiFi setting up | 11  | High temperature alarm symbol | High temperature alarm<br>Water temperature above 50°C |
| 3   | 20:00                      | Indicates the time   | 12  | ! symbol                      | Unit in error/protection                               |
| 4   | 6 programs can be set icon | 6 programs can be set  | 13  | VACATION button               | Unit works in VACATION mode                            |
| 5   | Reserved icon              | Reserved   | 14  | HYBRID button                 | Unit in HYBRID mode                                    |
| 6   | Disinfection cycle icon    | Unit in disinfection cycle (antilegionella)                                  | 15  | E-HEATER button               | Unit in E-HEATER mode                                  |
| 7   | Compressor icon            | Compressor in operation  |     | INVALID                       | An invalid button was pressed                          |
| 8   | Buttons locked icon        | Buttons locked   |     | SET TEMP                      | On: water temperature setting                          |
| 9   | Solar signal icon          | Unit connected to the solar signal or to the solar water pump                |     | SET TIME                      | On: time setting                                       |

# Standard unit technical specifications

## AQUA

### Fan

Centrifugal fan with plastic profile blades, housed in aerodynamically shaped nozzle to increase efficiency and minimize sound level.

### Evaporator

Evaporator coil with large surface which improves heat transfer and reduces defrost time in order to increase the seasonal efficiency.

### Anodo

Electronic anode to ensure maximum protection and durability over time.

### Handles

Lifting handles for easy installation and transportation.

### Condenser

Condenser with aluminum coil, wrapped around the tank and thus avoid the possibility of water contamination for any leaks of refrigerant. The coil is suitably shaped to maximize the contact area with the fuel tank, it is also interposed with a conductive paste to improve heat exchange between the capacitor and the accumulation.

### Compressor

Rotary ON/OFF Compressor using R134a on vibration rubber to minimize the transmission of vibration and noise.

### Safety thermostats

- Automatic temperature reset thermostat (ATCO auto temperature cut off)
- Manual reset thermostat (TCO temperature cut off)

### Modbus protocol

Allows serial connection to supervision systems, using Modbus as a communication protocol. Gives access to the entire list of operation variables, controls and alarms.

### Electric heater

1,5kW electrical element can be used for heating when the temperature is below  $-7^{\circ}\text{C}$  and/or to integrate with rigid air temperatures and high set temperatures.

### Integration exchanger

Integration exchanger vitrified steel coil of  $1.1\text{m}^2$  on 190L and  $1.3\text{m}^2$  on 300L with well for probe for regulation.

### Tank

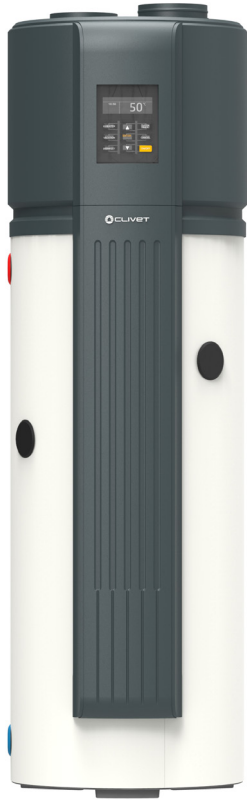
Steel storage tank for 280/180 liters of water, internally vitrified to completely isolate water from the metal to avoid corrosion problems.

### Insulation

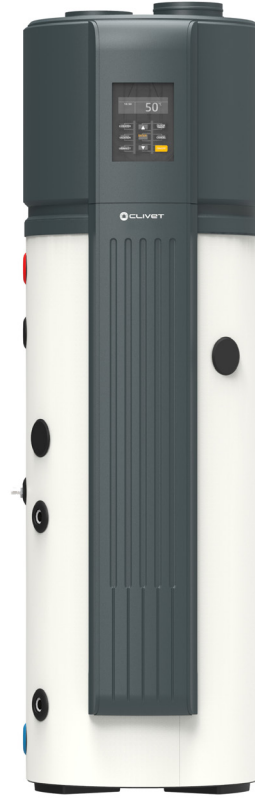
External insulation in polyurethane (thickness 50mm).



## Appearance



SIZE 190



SIZE 190S



SIZE 300



SIZE 300S

# Accessories separately supplied

## VENX

### Additional fan

Additional high-efficiency radial fan that extends the unit's operating range by providing extra available pressure. Installation is only recommended in those systems where the extension of the air ducts is particularly far-reaching and complex.

| SIZE                                       |                      |       | 190     | 300     | 190S    | 300S    |
|--|----------------------|-------|---------|---------|---------|---------|
| <b>Power and Efficiency (fan included)</b> |                      |       |         |         |         |         |
| Tout 15/12 °C ( DB/WB),                    | Heating capacity     | kW    | 1,62    | 2,3     | 1,62    | 2,3     |
| Tw,in 15 °C                                | Total absorbed power | kW    | 0,469   | 0,606   | 0,469   | 0,606   |
| Tw,out 45°C                                | COP                  |       | 3,45    | 3,8     | 3,45    | 3,8     |
| Tout 43/26 °C ( DB/WB),                    | Heating capacity     | kW    | 2,31    | 3,25    | 2,31    | 3,25    |
| Tw,in 10 °C                                | Total absorbed power | kW    | 0,595   | 0,703   | 0,595   | 0,703   |
| Tw,out 70°C--> 190                         | COP                  |       | 3,88    | 4,62    | 3,88    | 4,62    |
| Tw,out 65°C--> 300                         |                      |       |         |         |         |         |
| Sound pressure level (1m)                  |                      | dB(A) | 37,6    | 39,2    | 37,6    | 39,2    |
| Sound power level (LWA)                    |                      | dB(A) | 52      | 54      | 52      | 54      |
| <b>Additional ventilation</b>              |                      |       |         |         |         |         |
| Type of fan                                |                      |       | Radiale | Radiale | Radiale | Radiale |
| Pressure head with additional ventilation  |                      | Pa    | 200     | 240     | 200     | 240     |

## Electical data

| SIZE   |       | 190          | 300          | 190S         | 300S         |
|--|-------|--------------|--------------|--------------|--------------|
| Standard power input   | (1) V | 220-240/1/50 | 220-240/1/50 | 220-240/1/50 | 220-240/1/50 |
| F.L.A. - Current absorbed at the maximum allowed conditions              | A     | 0,25         | 0,41         | 0,25         | 0,41         |
| F.L.I. - Power absorbed at full load (at the maximum allowed conditions) | W     | 50           | 80           | 50           | 80           |
| M.I.C. - Maximum inrush current  | A     | 0,32         | 0,78         | 0,32         | 0,78         |

(1) Power supply 220-240/1/50 For non-standard power supply voltages, contact the Clivet Technical Office

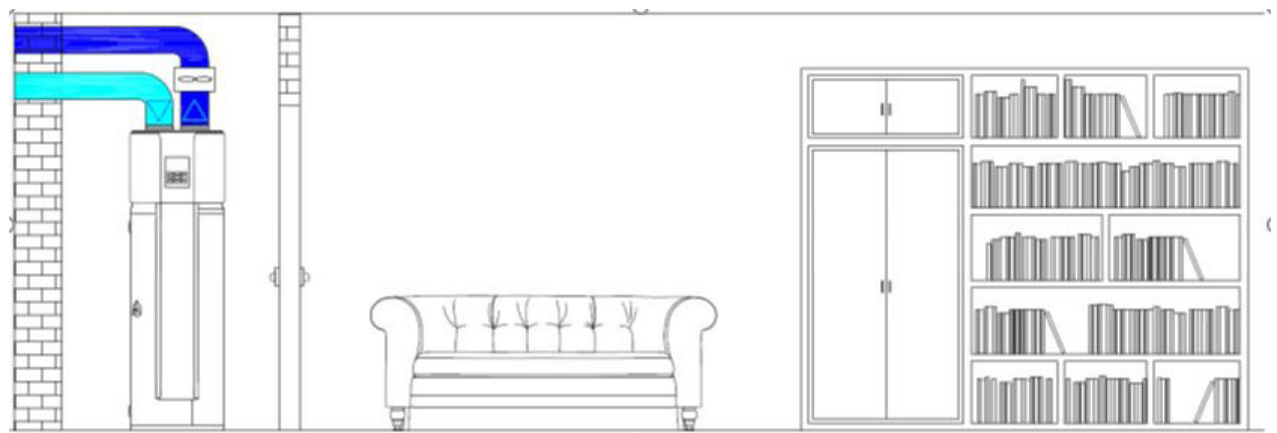
Units are compliant with provisions set forth in the European standards CEI EN 60204 and CEI EN 60335

Data refers to the additional fan only, to be added to the total data of the unit.

## Aeraulic Connections

DUCTED INTAKE AND EXHAUST (recommended)

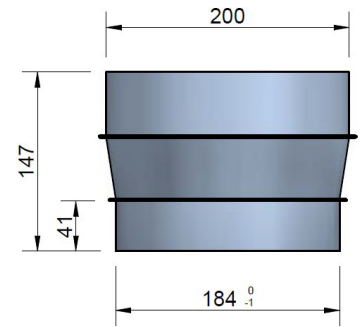
Install the additional fan on the exhaust ducting close to the unit.



## CA200X

### Air duct adapter

Adapter to connect a Ø200 mm air duct to a Ø190 mm connection. The kit includes n° 1 sealing gasket and n° 1 reduction (for a full kit order 2 pieces).



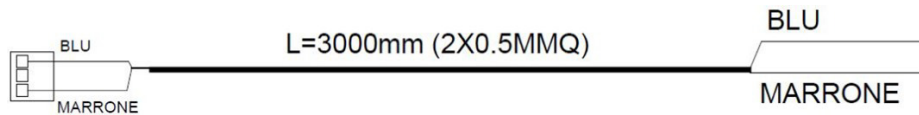
## COPX

### Accessory connection cables

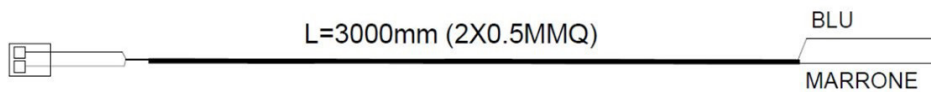
The accessory includes cables to facilitate connection to the circuit board for use of the following functions:

- Solar input (only for 190S and 300S): 220-240V signal input for the solar control unit
- On/off input: contact for switching on/off the unit by external signal
- Modbus: connection for RS486 Modbus supervisory system protocol or ELFOControl3 EVO

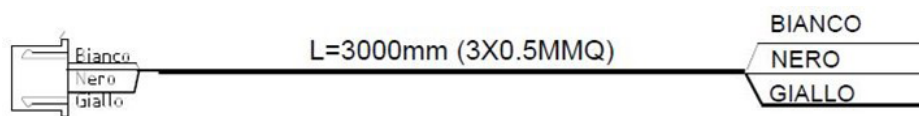
#### Solar input (only for 190S and 300S)



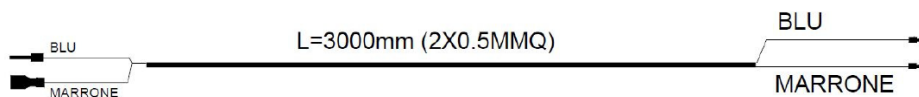
#### On/off input



#### Modbus



#### (PUMP + XT2)





# General technical data

| SIZE   |                           |       | 190                 | 300                 | 190S                | 300S                |
|--|---------------------------|-------|---------------------|---------------------|---------------------|---------------------|
| <b>Power and Efficiency</b>  |                           |       |                     |                     |                     |                     |
| Tout 15/12 °C ( DB/WB),<br>Tw,in 15 °C<br>Tw,out 45°C                              | Heating capacity          | kW    | 1,62                | 2,30                | 1,62                | 2,30                |
|  | Total power absorbed      | kW    | 0,42                | 0,53                | 0,42                | 0,53                |
|  | COP                       |       | 3,86                | 4,34                | 3,86                | 4,34                |
| Tout 43/26 °C ( DB/WB),<br>Tw,in 10 °C<br>Tw,out 70°C--> 190<br>Tw,out 65°C--> 300 | Heating capacity          | kW    | 2,31                | 3,25                | 2,31                | 3,25                |
|  | Total power absorbed      | kW    | 0,546               | 0,627               | 0,546               | 0,627               |
|  | COP                       |       | 4,23                | 5,18                | 4,23                | 5,18                |
| Riscaldatore elettrico   |                           | kW    | 1,50                | 1,50                | 1,50                | 1,50                |
| Standard power input   |                           | V     | 220-240/1/50        | 220-240/1/50        | 220-240/1/50        | 220-240/1/50        |
| Heating time ACS   | (1)                       | h/min | 3/53                | 4/22                | 3/53                | 4/22                |
| Maximum temperature ACS  | (6)                       | °C    | 70                  | 70                  | 70                  | 70                  |
| Sound pressure level (1m)  | (5)                       | dB(A) | 36,6                | 38,2                | 36,6                | 38,2                |
| Sound power level (L <sub>WA</sub> )   |                           | dB(A) | 51                  | 53                  | 51                  | 53                  |
| <b>ERP</b>   |                           |       |                     |                     |                     |                     |
| Clima Average<br>Heat pumps Water Heater<br>(2)                                    | Energy class of generator |       | A+                  | A+                  | A+                  | A+                  |
|  | DHW profile               |       | L                   | XL                  | L                   | XL                  |
|  | $\eta_{wh}$               | %     | 115%                | 123%                | 115%                | 123%                |
|  | Annual consumption AEC    | kWh   | 890                 | 1356                | 890                 | 1356                |
|  | Daily consumption         | kWh   | 4,22                | 6,34                | 4,22                | 6,34                |
|  | COP EN 16147              |       | 2,76                | 3,01                | 2,76                | 3,01                |
| Clima Warmer<br>Heat pumps Water Heater<br>(3)                                     | DHW profile               |       | L                   | XL                  | L                   | XL                  |
|  | $\eta_{wh}$               | %     | 125%                | 143%                | 125%                | 143%                |
|  | Annual consumption AEC    | kWh   | 819                 | 1173                | 819                 | 1173                |
|  | Daily consumption         | kWh   | 3,86                | 5,49                | 3,86                | 5,49                |
|  | COP EN 16147              |       | 3,13                | 3,59                | 3,13                | 3,59                |
| Clima Colder<br>Heat pumps Water Heater<br>(4)                                     | DHW profile               |       | L                   | XL                  | L                   | XL                  |
|  | $\eta_{wh}$               | %     | 99%                 | 91%                 | 99%                 | 91%                 |
|  | Annual consumption AEC    | kWh   | 1034                | 1845                | 1034                | 1845                |
|  | Daily consumption         | kWh   | 4,90                | 8,56                | 4,90                | 8,56                |
|  | COP EN 16147              |       | 2,36                | 2,32                | 2,36                | 2,32                |
| <b>DHW tank</b>  |                           |       |                     |                     |                     |                     |
| DHW volume   | l                         |       | 176                 | 284                 | 168                 | 272                 |
| Material of tank   |                           |       | Acciaio Vetrificato | Acciaio Vetrificato | Acciaio Vetrificato | Acciaio Vetrificato |
| Insulation Material  |                           |       | Poliuretano Espanso | Poliuretano Espanso | Poliuretano Espanso | Poliuretano Espanso |
| Heat losses  | W/K                       |       | 0,91                | 0,94                | 0,91                | 0,94                |
| Maximum operating pressure   | bar                       |       | 10                  | 10                  | 10                  | 10                  |
| Insulation Thickness   | mm                        |       | 50                  | 50                  | 50                  | 50                  |
| <b>Refrigerant Circuit</b>   |                           |       |                     |                     |                     |                     |
| Compressor type  |                           |       | Rotativo            | Rotativo            | Rotativo            | Rotativo            |
| Refrigerant  |                           |       | R134a               | R134a               | R134a               | R134a               |
| Quantity of refrigerant  | kg                        |       | 1,10                | 1,40                | 1,10                | 1,40                |
| GWP  | t                         |       | 1430                | 1430                | 1430                | 1430                |
| Tonne of CO2 equivalents *   | t <sub>CO2</sub>          |       | 1,57                | 2,00                | 1,57                | 2,00                |
| Oil quantity   | ml                        |       | 350                 | 350                 | 350                 | 350                 |
| Type of expansion valve  |                           |       | Elettronica         | Elettronica         | Elettronica         | Elettronica         |
| <b>Fan</b>   |                           |       |                     |                     |                     |                     |
| Type of fan  |                           |       | Centrifugo          | Centrifugo          | Centrifugo          | Centrifugo          |
| Air flow   | m <sup>3</sup> /h         |       | 270                 | 414                 | 270                 | 414                 |
| Available pressure head  | Pa                        |       | 25                  | 45                  | 25                  | 45                  |
| <b>Integration</b>   |                           |       |                     |                     |                     |                     |
| Integration coil surface   | m <sup>2</sup>            |       | -                   | -                   | 1,10                | 1,30                |
| Integration coil material  |                           |       | -                   | -                   | Acciaio Vetrificato | Acciaio Vetrificato |
| Maximum operating pressure   | bar                       |       | -                   | -                   | 10                  | 10                  |

- Inlet water temperature 15 °C, accumulator set 45°C, air on source side 15°C D.B /12°C W.B.
- The product complies with the European Directive ErP, which includes the Commission Delegated Regulation (EU) N. 812/2013 and the Commission Delegated Regulation N. 814/2013, Average Climate, Heat Pump Water Heater
- The product complies with the European Directive ErP, which includes the Commission Delegated Regulation (EU) N. 812/2013 and the Commission Delegated

- Regulation N. 814/2013, Warmer Climate, Heat Pump Water Heater
- The product complies with the European Directive ErP, which includes the Commission Delegated Regulation (EU) N. 812/2013 and the Commission Delegated Regulation N. 814/2013, Colder Climate, Heat Pump Water Heater
- Data referred to completely ducted unit.
- Maximum temperature that can be reached during anti-legionella mode (Disinfect)
- \* It contains fluorinated greenhouse gases

## Electrical data

| SIZE   |       | 190          | 300          | 190S         | 300S         |
|--|-------|--------------|--------------|--------------|--------------|
| Power input  | (1) V | 220-240/1/50 | 220-240/1/50 | 220-240/1/50 | 220-240/1/50 |
| F.L.A. - Current absorbed at the maximum allowed conditions              | A     | 9,10         | 9,80         | 9,10         | 9,80         |
| F.L.I. - Power absorbed at full load (at the maximum allowed conditions) | kW    | 2,10         | 2,25         | 2,10         | 2,25         |
| M.I.C - Maximum inrush current   | A     | 22,2         | 33,7         | 22,2         | 33,7         |

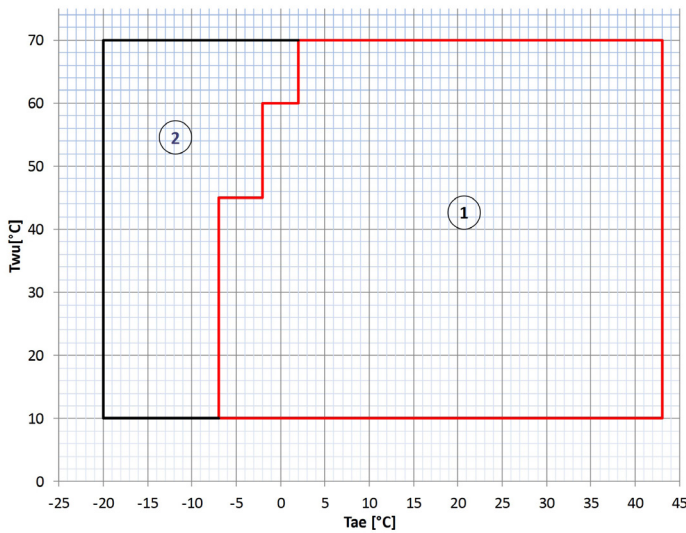
(1) Power supply 220-240/1/50

For non-standard power supply voltages, contact the Clivet Technical Office  
Units are compliant with provisions set forth in the European standards CEI EN 60204 and CEI EN 60335

**⚠ Warning:** when defining the correct size, verify that all absorption is compliant with current electrical supply contracts in force in the country of installation

## Operating limits

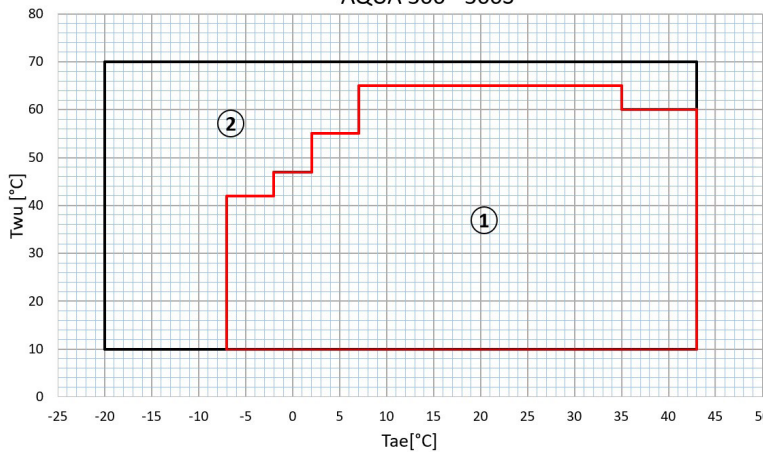
AQUA 190 - 190S



T<sub>wu</sub> [°C] = temperatura acqua accumulato  
T<sub>ae</sub> [°C] = temperatura aria ingresso scambiatore

1. Use range of the heat pump
2. Use range of the electrical heating element

AQUA 300 - 300S



T<sub>wu</sub> [°C] = temperatura acqua accumulato  
T<sub>ae</sub> [°C]: temperatura aria ingresso scambiatore

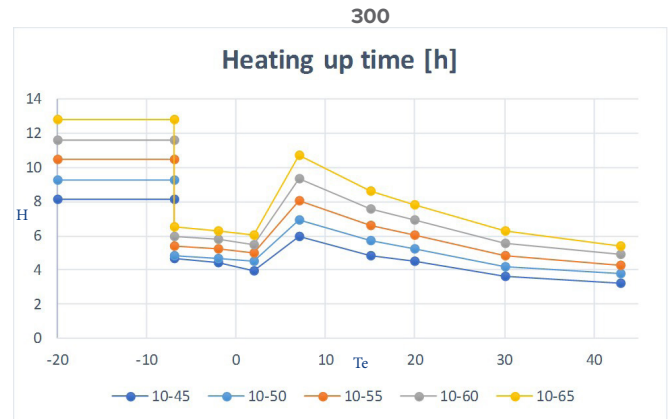
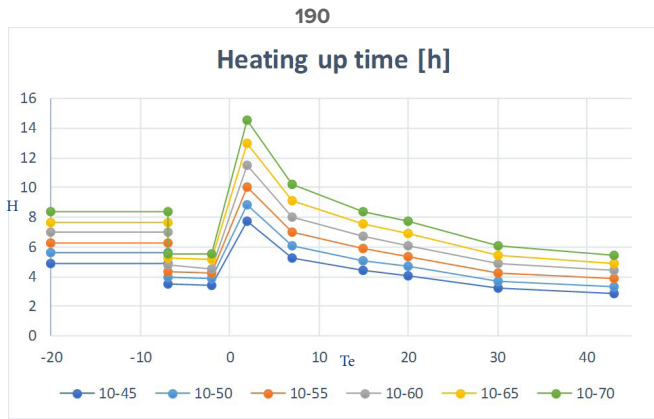
1. Use range of the heat pump
2. Use range of the electrical heating element

# General technical data

## Performances Curve

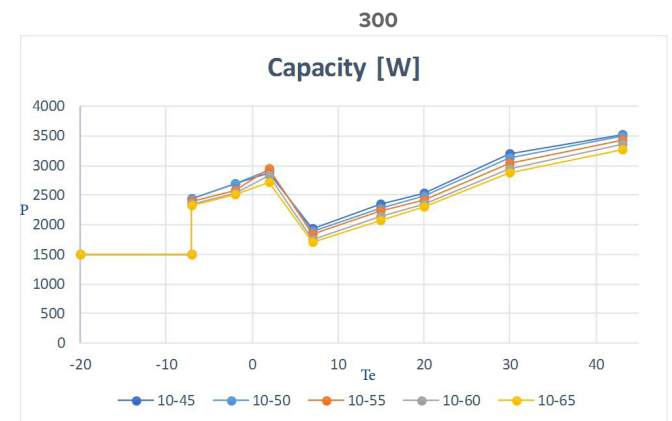
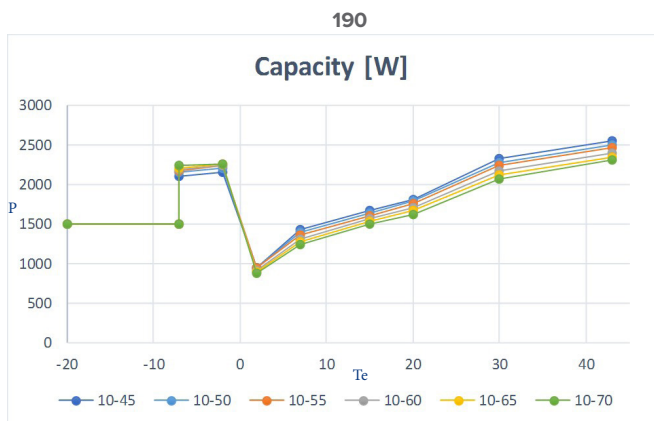
The following curves were obtained from performance tests carried out under dynamic mode. The inlet water temperature, which coincides with the initial status 0, is temperature 10°C. The different curves represent the specific parameter (heating time, heating capacity, COP) with different set temperature (45° C-50° C-55° C-60° C-65° C to 70° C)

### Heat UP



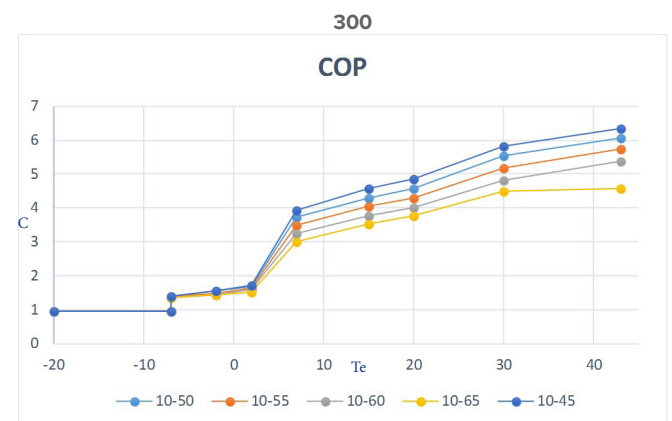
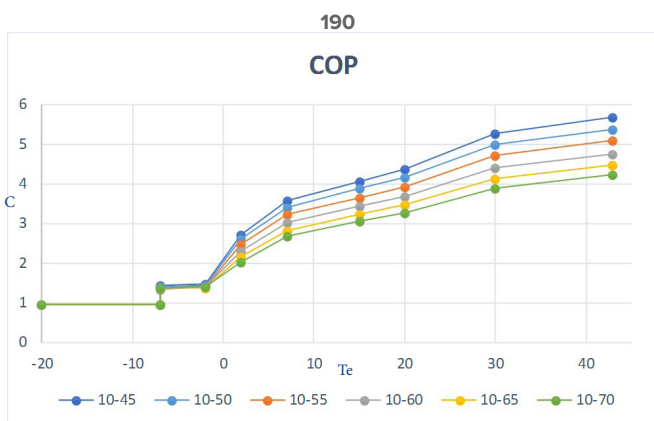
Te = Outdoor Air Temperature°C  
H = Heat Up Time (h)

### Heating capacity



Te = Outdoor Air Temperature°C  
P = Heating Capacity (W)

### COP

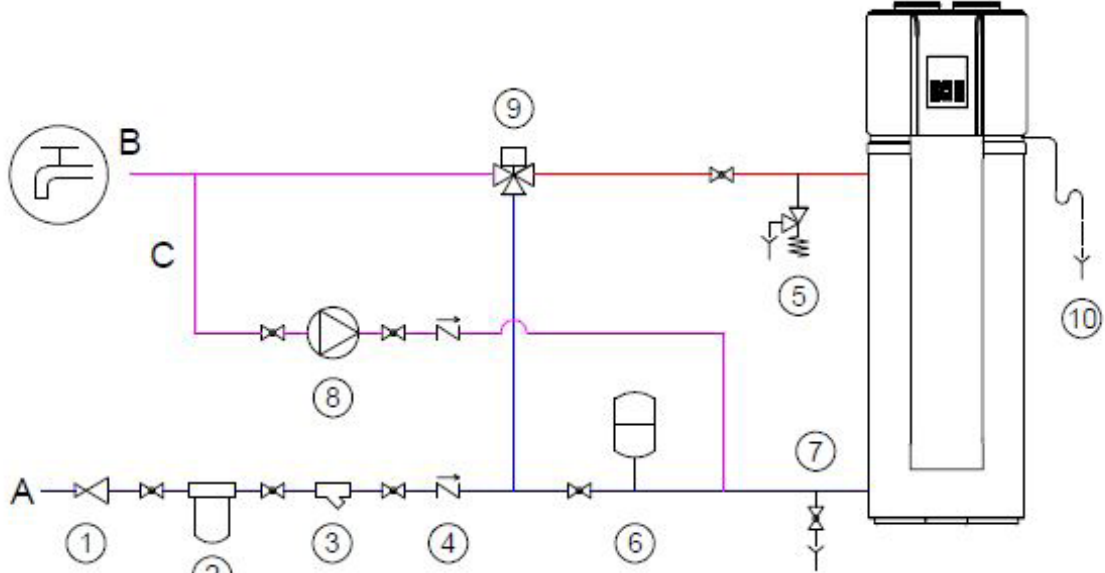


Te = Outdoor Air Temperature°C  
C = COP

# Hydraulic connections

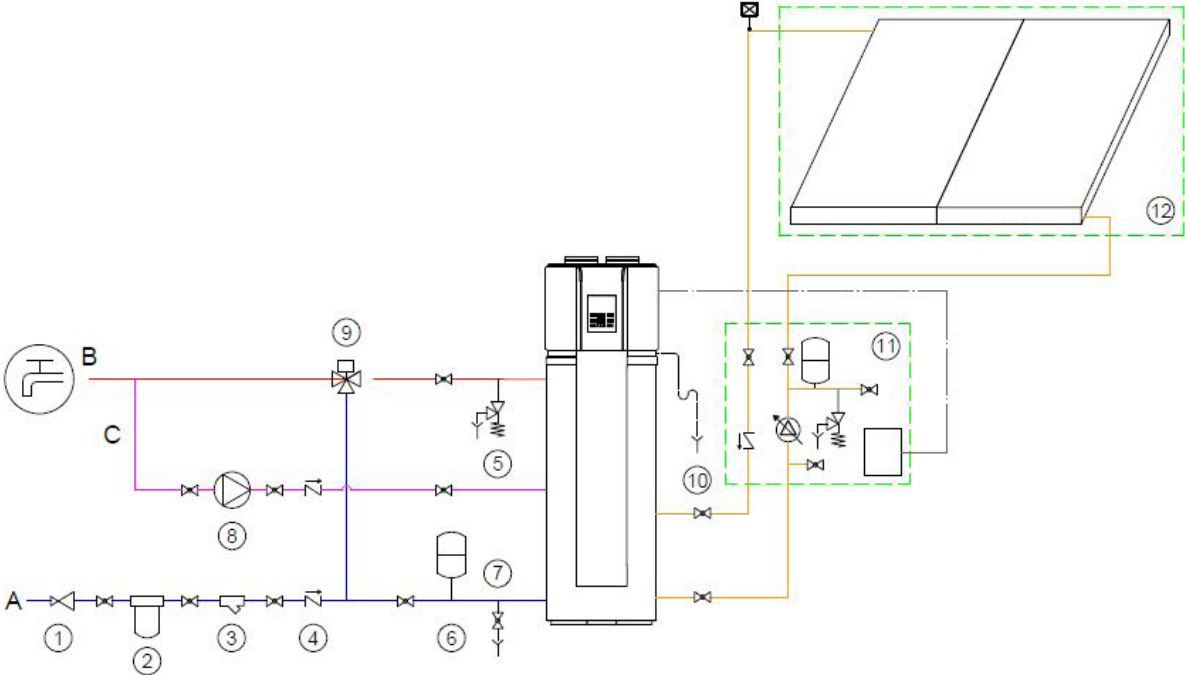
Below are some diagrams that give an idea of the hydraulic connections in the two versions of AQUA. The connection and design of the system must be done in conformity with national regulations that are currently in force.

## Size 190 - 300



- 1. sure reducing valve
- 2. Water treatment devices (water softener, etc.)
- 3. Filter Y
- 4. Non-return valve
- 5. Domestic hot water safety valve with discharge
- 6. DHW expansion vessel
- 7. Storage drain
- 8. Hot water circulator (recirculation) with check valve
- 9. Mixing valve thermostatic
- 10. Condensate drain
- A - Aqueduct inlet
- B - DHW
- C - DHW recirculation

## Size 190S - 300S



- 1. Pressure reducing valve
- 2. Water treatment devices (water softener, etc.)
- 3. Filter Y
- 4. Non-return valve
- 5. Domestic hot water safety valve with discharge
- 6. DHW expansion vessel
- 7. Storage drain
- 8. Hot water circulator (recirculation) with check valve
- 9. Mixing valve thermostatic
- 10. Condensate drain
- 11. Solar circulation unit (not supplied)
- 12. Solar panels (not supplied)
- A - Aqueduct inlet
- B - DHW
- C - DHW recirculation

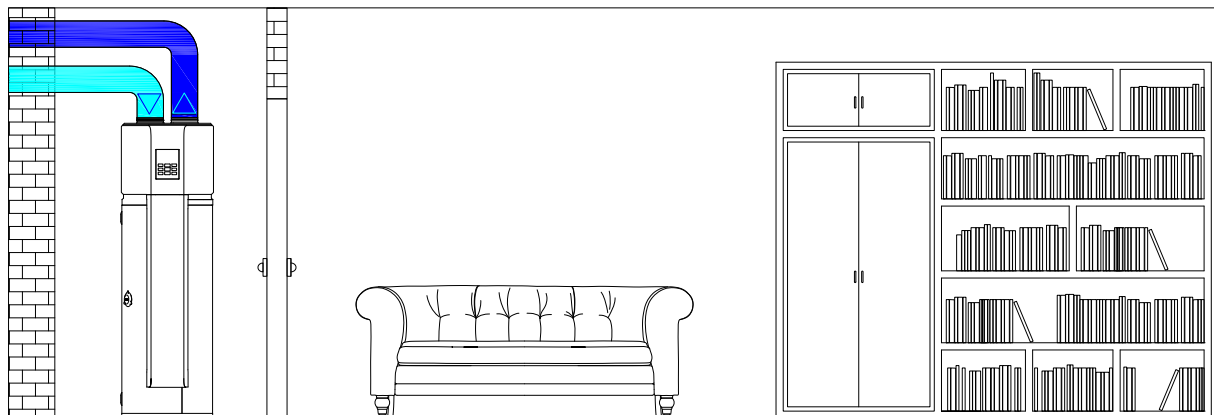
# Aeraulic connections

The unit must be installed inside the building, preferably in a technical room or a laundry room or a garage. At any rate, it is always preferable to avoid installing the unit near bedrooms or in rooms that must be protected from noise.

Outdoor installation is prohibited, as well as installation in places subject to external weather.

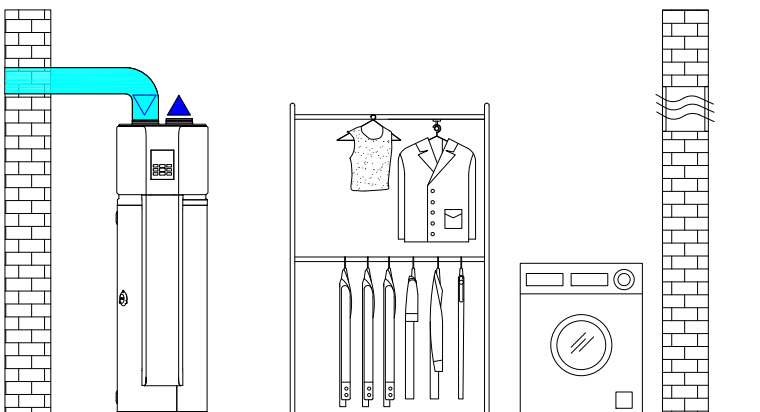
Examples below refer to the AQUA 190 version. For the AQUA 300 version, the expulsion and intake connections are inverted.

## INTAKE AND EXPULSION DUCTS (recommended)



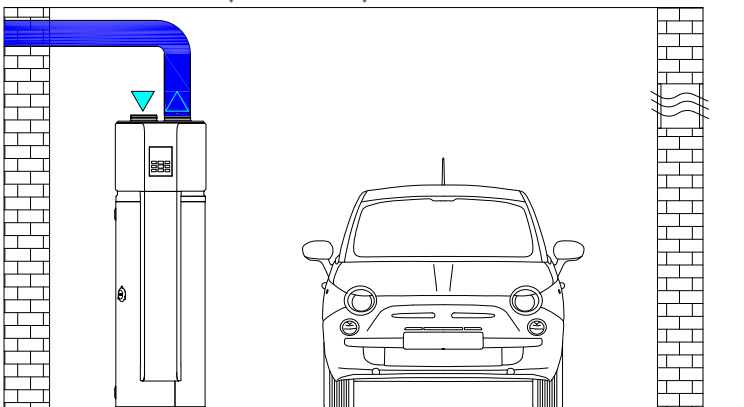
Channelling the intake and expulsion through ducts allows the unit to function with air taken from outside the house. Heat is extracted from the outdoor air, and used as a source for the heat pump. Later this same air is expelled outside the building. Therefore, unit operation does not cause an increase in heating requirements in the home. It is necessary to fit the system with correctly sized pipes in relation to the available pressure head supplied by the unit.

## INTAKE DUCTS (conditioned)



Installation with an intake duct and free expulsion is recommended if there is a desire to use the air expelled by the unit, cold dehumidified air (5-10°C colder than the intake air), to cool the room. The unit must be installed preferably in a room that does not require heating, because the unit releases cold air into the environment and it would increase the cost of heating that room. The unit must be installed in a room with a minimum volume greater than 15 m<sup>2</sup>. The expulsion air flow must be guaranteed and cannot be blocked. It is necessary that the vents be correctly sized.

## EXPULSION DUCTS (conditioned)



In this particular type of installation, the unit takes in air from the room where it is installed, extracts the heat and then expels that air outside the house. The unit must be installed in a room with suitable openings to allow the correct flow of air into the unit, which would prevent the air pressure in the room from falling. The unit must be installed in a room with a minimum volume greater than 15 m<sup>2</sup>.

# Data for the UNI/TS 11300 calculation

Clivet S.p.A. declares that the data to be used for the calculation pursuant to UNI/TS 11300 part 4 of the efficiency of their heat pump are given in the following tables.

The data given in this document may be updated without advance notice by the manufacturer when upgrading his product range.

## UNI/TS 11300 Part 4

### AQUA

| DHW Data Capacity and COP full load |                                | Te   |      |      |      |      |    |
|-------------------------------------|--------------------------------|------|------|------|------|------|----|
|                                     |                                | Te   | Tm   | 7    | 15   | 20   | 35 |
| 190                                 | P. Heat $\Phi_{H,HP\ out}$ (W) | 55°C | 1362 | 1609 | 1755 | 2254 |    |
|                                     | COP                            | 55°C | 3,22 | 3,66 | 3,93 | 4,86 |    |
| 300                                 | P. Heat $\Phi_{H,HP\ out}$ (W) | 55°C | 1814 | 2185 | 2365 | 3006 |    |
|                                     | COP                            | 55°C | 3,49 | 4,04 | 4,30 | 5,03 |    |

Terms and definitions

Tm = Supply Temperature

Te = Outdoor Air Temperature

## SMART GRID management - Photovoltaic

The unit is Smart Grid Ready certified and is equipped with logic for connection to devices that balance loads connected to the power grid and optimise overall power consumption.

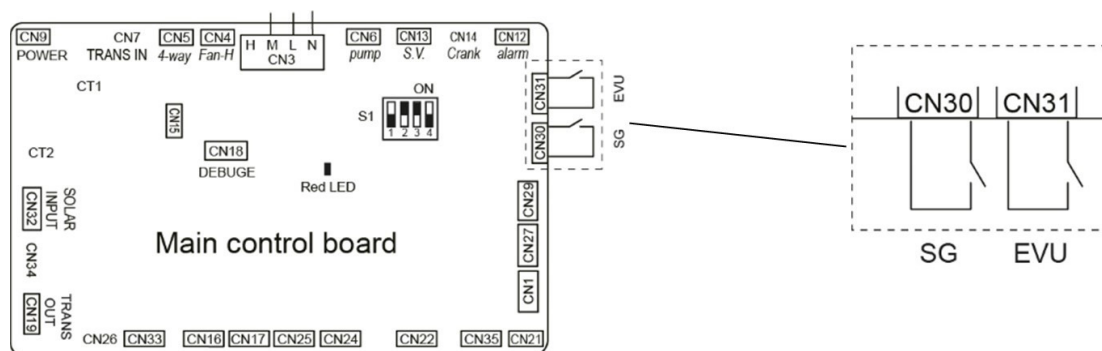
Connection is optional and the function can be enabled at the keyboard and is linked to the SG ON/OFF input, which receives a status signal from the mains.

The unit is also able to automatically consume the excess energy produced by a photovoltaic system, using it to store free thermal energy in the DHW tank.

The function is enabled by default, it does not require any keyboard settings and is tied to the ON/OFF EVU input, which receives a signal from the energy meter indicating when excess free energy is available to the unit

The control logic of the two contacts is:

| ENERGY COST | CONTACT |     | OPERATION  |
|-------------|---------|-----|--|
|             | SG      | EVU |  |
| Free        | ON      | ON  | The set point is forced to TS = 70 °C  |
| Economical  | OFF     | ON  | The electric heater switches on if T5U < 65 °C and switches off if T5U ≥ 70 °C         |
| Standard    | OFF     | OFF | Standard   |
| Expensive   | ON      | OFF | Forced OFF<br>The antilegionella cycle will be performed according to the mode setting |



## Wi-Fi function and App control

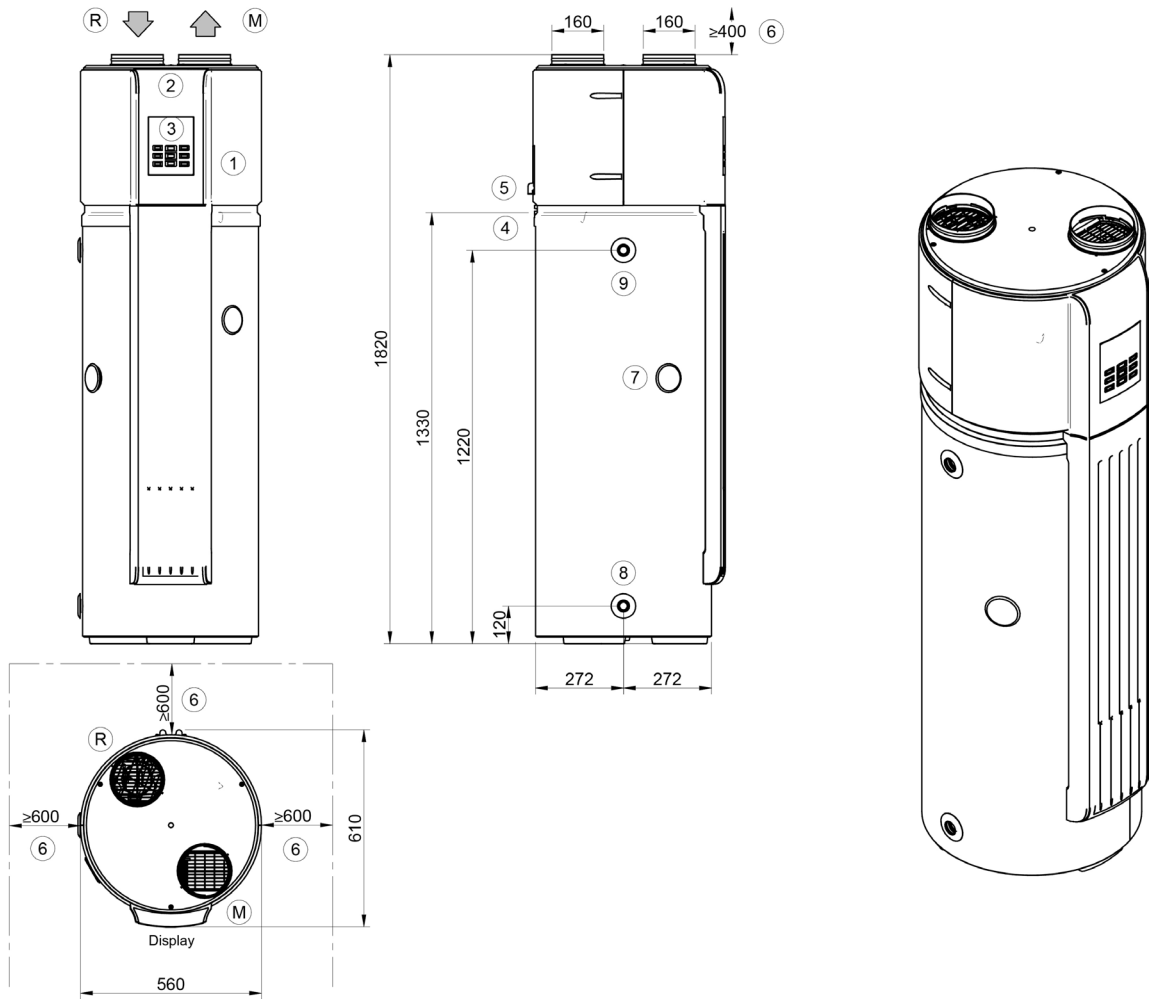
The App MSmartLife is available for free for iOS and Android. The user is able to perform the following operations remotely:

- Turn the unit ON/OFF
- Set and display tank temperature
- Activate Boost function (E-Heater) for fast hot water production
- Schedule (daily, weekly, holiday mode)
- Activate anti-legionella function (Disinfect)
- Display smart grid connection

# Dimensional drawings

## SWAN-2 190

DAASE0001\_00  
DATA/DATE 25/01/2021



1. Compressor enclosure
2. Electrical panel
3. Control keypad
4. Power input
5. Condensate drain
6. Functional spaces

7. Anode rod
8. Water inlet 3/4"F
9. Water outlet 3/4"F
- (R) Air inlet
- (M) Air supply

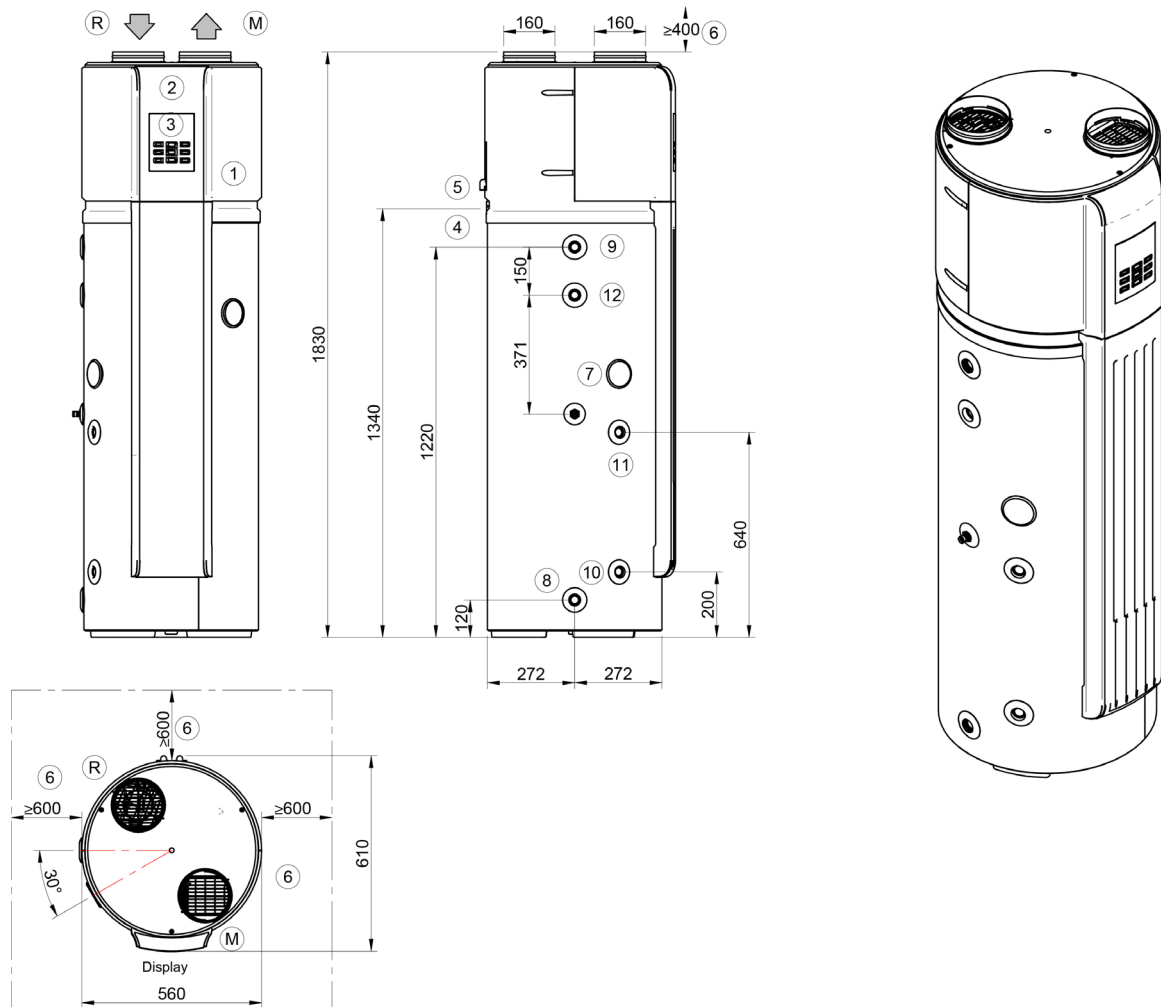
### WEIGHT DISTRIBUTION

|                  |    |     |
|------------------|----|-----|
| Operation weight | Kg | 287 |
| Shipping weight  | Kg | 126 |

Optional accessories may result in a substantial variation of the weight show in table

## SWAN-2 190S

DAASE0001\_S\_00  
DATA/DATE 25/01/2021



- |                         |                         |
|-------------------------|-------------------------|
| 1. Compressor enclosure | 8. Water inlet 3/4" F   |
| 2. Electrical panel     | 9. Water outlet 3/4" F  |
| 3. Control keypad       | 10. Solar inlet 3/4" F  |
| 4. Power input          | 11. Solar outlet 3/4" F |
| 5. Condensate drain     | 12. DHW recovery 3/4" F |
| 6. Functional spaces    | (R) Air inlet           |
| 7. Anode rod            | (M) Air supply          |

### WEIGHT DISTRIBUTION

|                  |    |     |
|------------------|----|-----|
| Operation weight | Kg | 310 |
| Shipping weight  | Kg | 140 |

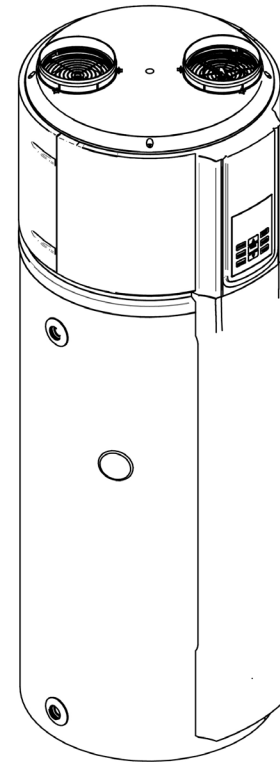
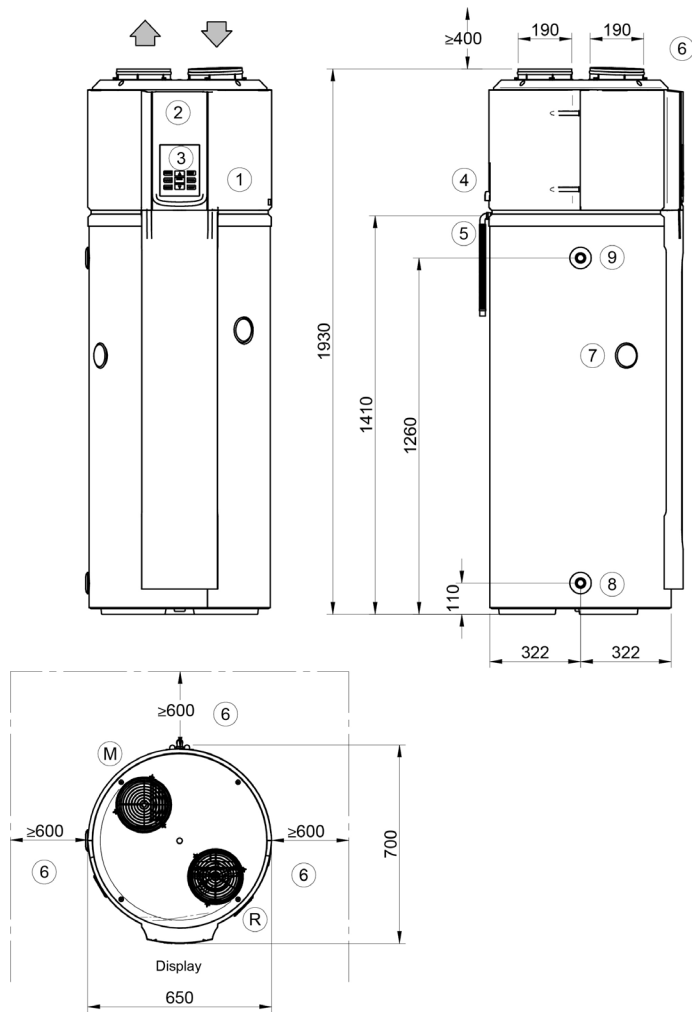
Optional accessories may result in a substantial variation of the weight show in table



# Dimensional drawings

## SWAN-2 300

DAASE0002\_00  
DATA/DATE 25/01/2021



1. Compressor enclosure
2. Electrical panel
3. Control keypad
4. Power input
5. Condensate drain
6. Functional spaces

7. Anode rod
8. Water inlet 3/4"F
9. Water outlet 3/4"F
- (R) Air inlet
- (M) Air supply

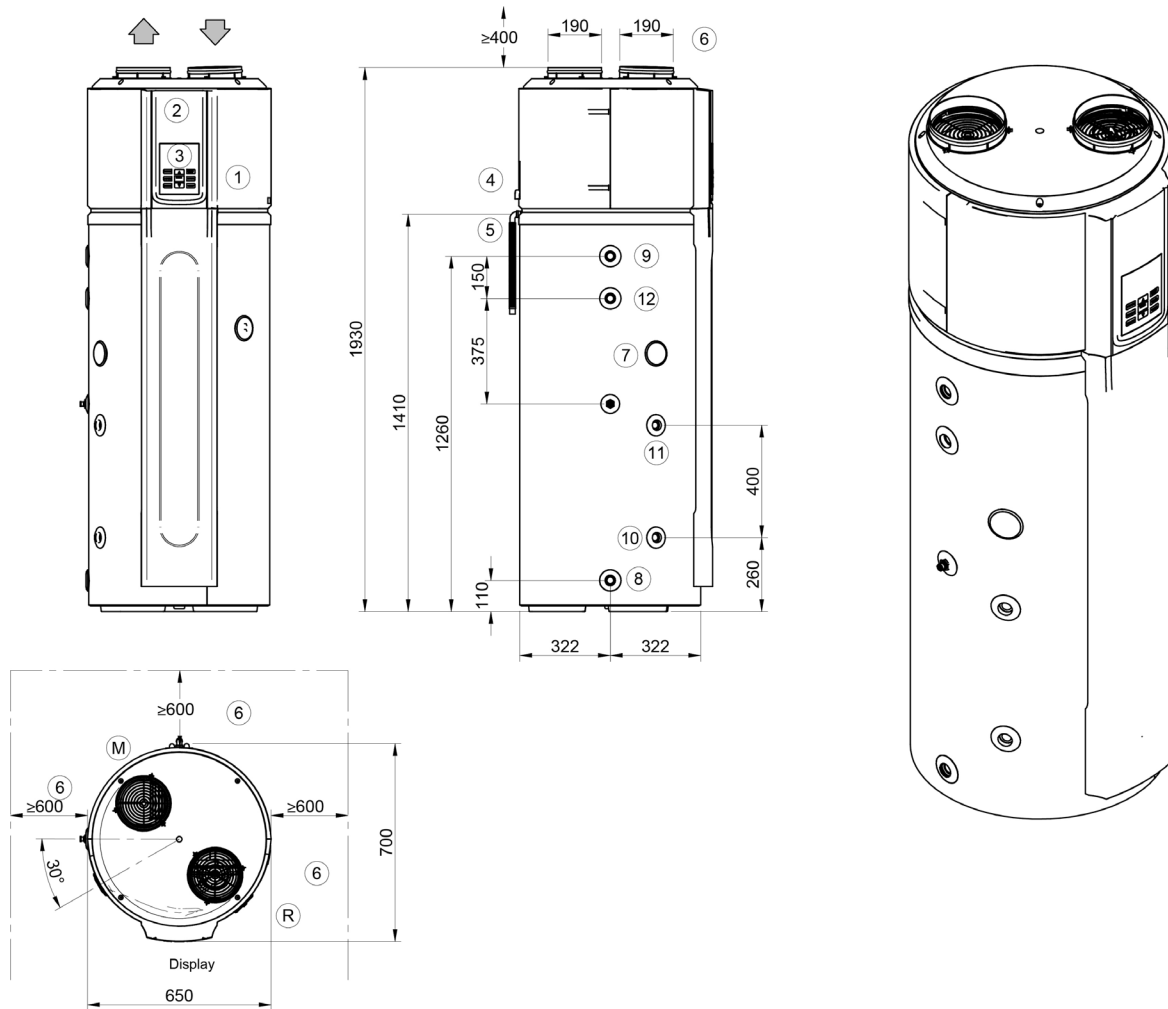
### WEIGHT DISTRIBUTION

|                  |    |     |
|------------------|----|-----|
| Operation weight | Kg | 412 |
| Shipping weight  | Kg | 153 |

Optional accessories may result in a substantial variation of the weight show in table

## SWAN-2 300S

DAASE0002\_S\_00  
DATA/DATE 25/01/2021



- |                         |                         |
|-------------------------|-------------------------|
| 1. Compressor enclosure | 8. Water inlet 3/4" F   |
| 2. Electrical panel     | 9. Water outlet 3/4" F  |
| 3. Control keypad       | 10. Solar inlet 3/4" F  |
| 4. Power input          | 11. Solar outlet 3/4" F |
| 5. Condensate drain     | 12. DHW recovery 3/4" F |
| 6. Functional spaces    | (R) Air inlet           |
| 7. Anode rod            | (M) Air supply          |

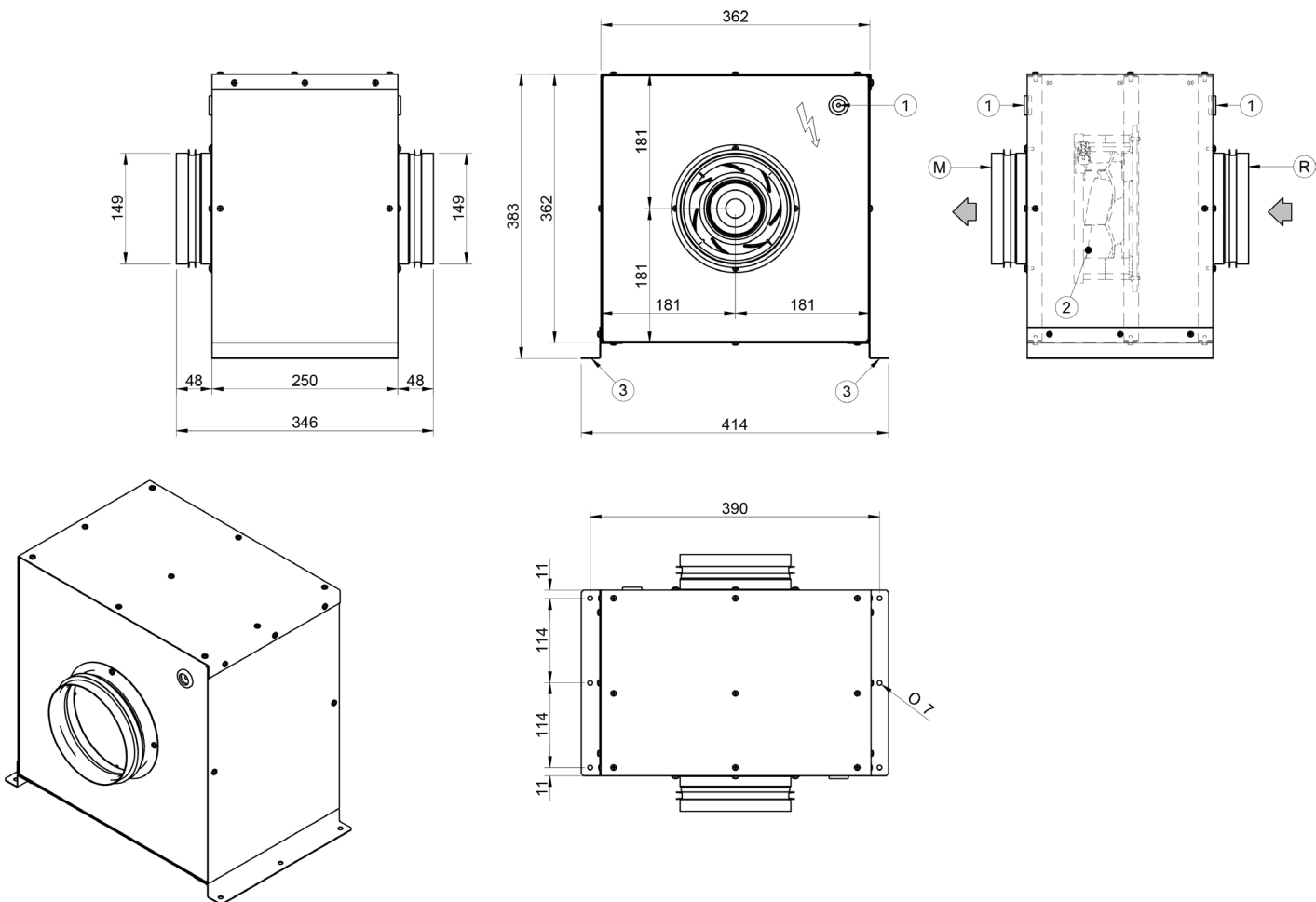
### WEIGHT DISTRIBUTION

|                  |    |     |
|------------------|----|-----|
| Operation weight | Kg | 434 |
| Shipping weight  | Kg | 172 |

Optional accessories may result in a substantial variation of the weight show in table

# Dimensional drawings

## SWAN-2 190L - PESE00001\_Ventilatore aggiuntivo

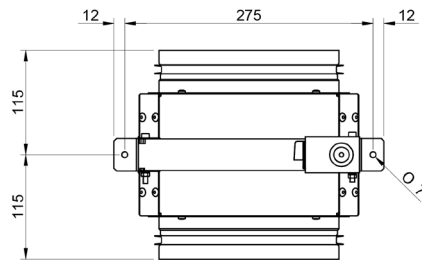
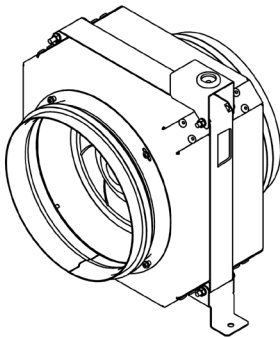
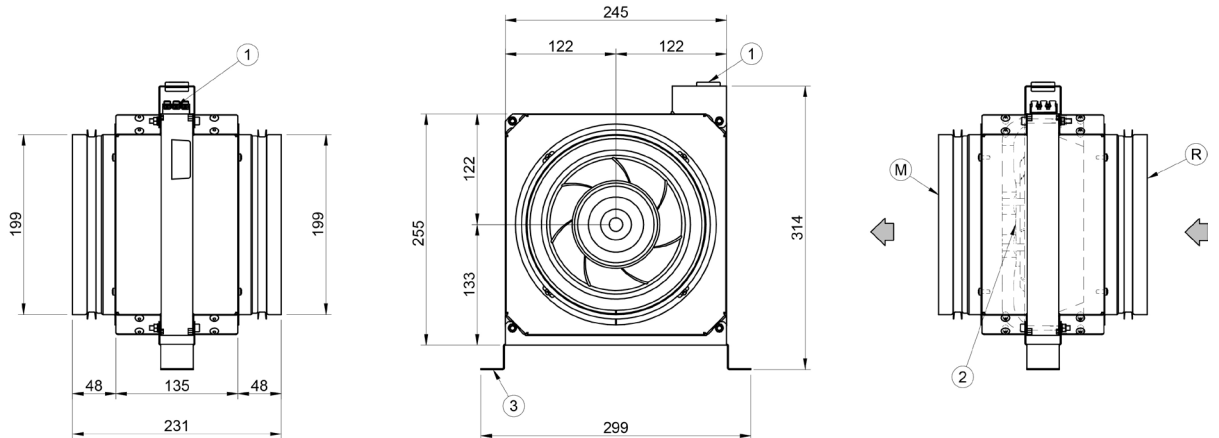


- 1. Power input
- 2. Electric fan (supply-return)
- 3. Lifting bracket (removed)
- (R) Air inlet
- (M) Air supply

|             |    |              |
|-------------|----|--------------|
| Weight      | Kg | 7,8          |
| Power input | V  | 200-240/1/50 |

Pagina intenzionalmente bianca

## SWAN-2 300L - PESE00002\_Ventilatore aggiuntivo



- 1. Power input
- 2. Electric fan (supply-return)
- 3. Lifting bracket (removed)
- (R) Air inlet
- (M) Air supply

|             |    |              |
|-------------|----|--------------|
| Weight      | Kg | 4,8          |
| Power input | V  | 200-240/1/50 |

Page intentionally left blank

Page intentionally left blank

Page intentionally left blank

FOR OVER 30 YEARS WE HAVE BEEN  
OFFERING SOLUTIONS TO ENSURE  
SUSTAINABLE COMFORT AND THE WELL-  
BEING OF PEOPLE AND THE ENVIRONMENT

[www.clivet.com](http://www.clivet.com)

**MideaGroup**  
*humanizing technology*



sale and assistance

AQUA PLUS - SWAN-2 190-190S-300-300S - BT21D012GB-04



**CLIVET S.p.A.**

Via Camp Lonc 25, Z.I. Villapaiera 32032 - Feltre (BL) - Italy

Tel. +39 0439 3131 - [info@clivet.it](mailto:info@clivet.it)

**CLIVET GMBH**

Hummelsbütteler Steindamm 84,  
22851 Norderstedt, Germany  
Tel. +49 40 325957-0 - [info.de@clivet.com](mailto:info.de@clivet.com)

**Clivet Group UK LTD**

Units F5 & F6 Railway Triangle,  
Portsmouth, Hampshire PO6 1TG  
Tel. +44 02392 381235 -  
[Enquiries@Clivetgroup.co.uk](mailto:Enquiries@Clivetgroup.co.uk)

**CLIVET LLC**

Office 508-511, Elektrozavodskaya st. 24,  
Moscow, Russian Federation, 107023  
Tel. +7495 6462009 - [info.ru@clivet.com](mailto:info.ru@clivet.com)

**CLIVET MIDEAST FZCO**

Dubai Silicon Oasis (DSO) Headquarter Building,  
Office EG-05, P.O Box-342009, Dubai, UAE  
Tel. +9714 3208499 - [info@clivet.ae](mailto:info@clivet.ae)

**Clivet South East Europe**

Jaruščica 9b  
10000, Zagreb, Croatia  
Tel. +3851 222 8784 - [info.see@clivet.com](mailto:info.see@clivet.com)

**CLIVET France**

10, rue du Fort de Saint Cyr - 78180 Montigny le  
Bretonneux, France  
[info.fr@clivet.com](mailto:info.fr@clivet.com)

**Clivet Airconditioning Systems  
Pvt Ltd**

Office No.501 & 502,5th Floor, Commercial -I,  
Kohinoor City, Old Premier Compound, Off LBS  
Marg, Kiroi Road, Kurla West, Mumbai  
Maharashtra 400070, India  
Tel. +91 22 30930200 - [sales.india@clivet.com](mailto:sales.india@clivet.com)