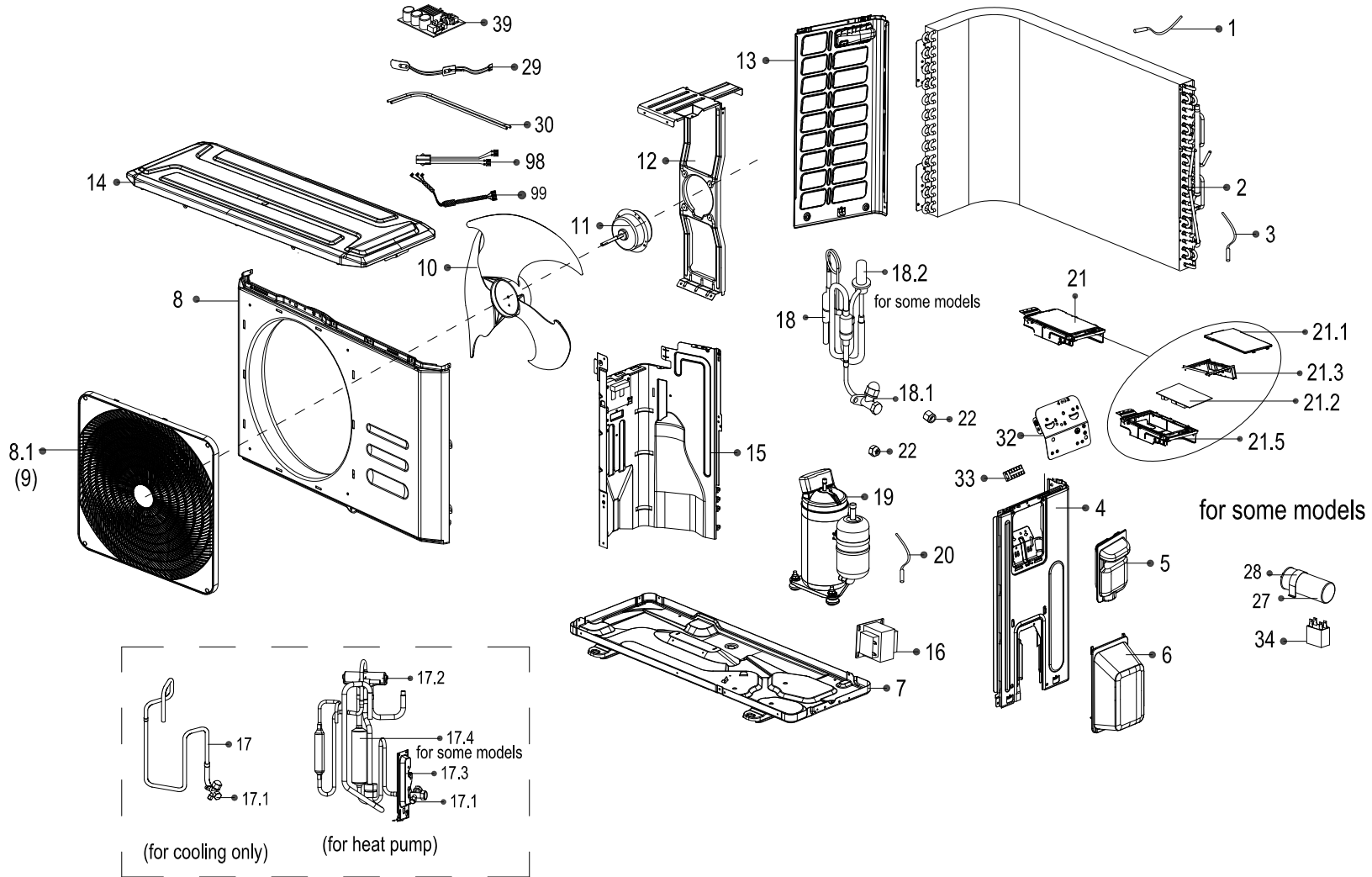


Optional function parts



## Exploded View

Product model :

22022016010422

Customer model :

MH1-Y 27M

EX_ID	Spare Parts Code	Part Name(EN)	Qty.	Min Shipments	Part Status	Remarks	Long Term Material(Y or N)	High Rate of Replacement(Y or N)	Option Parts
29	17402001A00003	Crankcase electric heater	1		Unknown		N	N	
25	12222000003622	Rear net	1		Unknown		N	N	
21.3	12122000014683	Support of electronic control box	1		Unknown		N	N	
30	17402002000042	Electric heating tube	1		Unknown		N	N	
21.5	12222000001325	Electronic installing box subassembly	1		Unknown		N	N	
17.3	12222000002571	Valve plate	1		Unknown		N	N	
17.4	15122200002744	Muffler subassembly	1		Unknown		N	N	
22	15500406000010	Copper nut	1		Unknown				
22	15500406000016	Copper nut	1		Unknown				
18	15422000012992	Liquid valve Assembly	1		Unknown		N	N	
18.1	15500208000028	Liquid valve	1		Unknown		N	N	
1	11201007002020	Room temperature sensor	1	10	Unknown		N	N	
18.2	15500213000178	Electronic expansion valve	1		Unknown		N	N	
19	11103020003399	DC Inverter Rotary Compressor	1		Unknown		N	N	
32	12222000002259	Terminal board	1		Unknown		N	N	
2	15822000007196	Condenser Assembly	1		Unknown		N	N	
20	11201007000005	Discharge temperature sensor	1	0	Unknown		N	Y	
33	17400401000016	Terminal	1		Unknown		N	N	
3	11201007000069	Pipe temperature sensor	1	0	Unknown		N	Y	
21	17222000022228	Electronic control box subassembly	1		Unknown		N	N	
4	12222000004186	Right side plate	1		Unknown		N	N	
21.2	17122000033461	Outdoor main control board subassembly	1		Unknown		N	N	
99	17401203000802	Compressor wire subassembly	1		Unknown		N	N	
5	12100701000015	Big handle assembly	1		Unknown		N	N	
6	12122000007150	Water collector	1		Unknown		N	N	
7	12222000003983	Chassis Assembly	1		Unknown		N	N	

8	12222000A02014	Front panel assembly	1		Unknown		N	N	
9	12122000A26900	Air outlet grille	1		Unknown		N	N	
10	12100105000051	Axial flow fan	1	0	Unknown		N	Y	
11	11002015006761	Brushless DC Motor	1		Unknown		N	N	
12	12222200002154	Supporter subassembly of fan motor	1		Unknown		N	N	
13	12222000008484	Left side plate assembly of cabinet	1		Unknown		N	N	
14	12222000002451	Top cover assembly	1		Unknown		N	N	
15	12222200001146	Partition board assembly	1		Unknown		N	N	
16	17400306000053	Reactor	1		Unknown		N	N	
17	15422000013012	4-way Valve Assembly	1		Unknown		N	N	
17.1	15500204000021	Gas valve	1		Unknown		N	N	
17.2	15500216000026	4-way Valve	1	0	Unknown		N	Y	